



US00D722944S

(12) **United States Design Patent**
Pifer, III

(10) **Patent No.:** **US D722,944 S**
(45) **Date of Patent:** **** Feb. 24, 2015**

(54) **SECURITY ENCLOSURE FOR AN OPEN DECK VEHICLE**

(71) Applicant: **Idea Creation Factory, LLC,**
Alpharetta, GA (US)

(72) Inventor: **Gratton Olin Pifer, III,** Johns Creek,
GA (US)

(73) Assignee: **Idea Creation Factory, LLC,**
Alpharetta, GA (US)

(**) Term: **14 Years**

(21) Appl. No.: **29/451,914**

(22) Filed: **Apr. 10, 2013**

(51) **LOC (10) Cl.** **12-16**

(52) **U.S. Cl.**
USPC **D12/401**

(58) **Field of Classification Search**
USPC D12/401-405; 160/370.21, 370.22,
160/370.23; 280/770; 150/158, 165-167;
296/136.01, 95.1, 84.1, 77.1;
135/88.01, 88.1; 224/328
See application file for complete search history.

(56) **References Cited**

U.S. PATENT DOCUMENTS

3,923,334	A *	12/1975	Key	296/10
4,502,674	A *	3/1985	White et al.	296/37.16
4,938,519	A	7/1990	Schlachter		
D321,159	S *	10/1991	Schlachter	D12/401
5,324,089	A	6/1994	Schlachter		
5,564,768	A	10/1996	Saffold		
6,000,745	A	12/1999	Alexa		
D420,969	S *	2/2000	Schlachter	D12/414.1
6,065,794	A	5/2000	Schlachter		

6,113,179	A	9/2000	Szigeti		
6,217,102	B1 *	4/2001	Lathers	296/100.07
6,299,232	B1 *	10/2001	Davis	296/100.07
6,305,730	B1	10/2001	Stone		
6,520,558	B1 *	2/2003	Katterloher et al.	296/100.06
6,582,006	B1	6/2003	Burch		
6,880,856	B2	4/2005	Chernoff et al.		
6,889,881	B2	5/2005	Wilkins		
6,959,955	B2	11/2005	Carter, III et al.		
7,093,881	B2 *	8/2006	Rusu	296/100.07
7,278,677	B2	10/2007	Emerson		
7,438,338	B1 *	10/2008	Schumacher et al.	296/37.6
7,677,655	B2	3/2010	Marsh		

OTHER PUBLICATIONS

Pifer, Title: "Security Enclosure for an Open Deck Vehicle" Design
U.S. Appl. No. 29/451,909, filed Apr. 10, 2013. Confirmation No.
4798.

* cited by examiner

Primary Examiner — Katrina A Betton

(74) *Attorney, Agent, or Firm* — Howson & Howson LLP

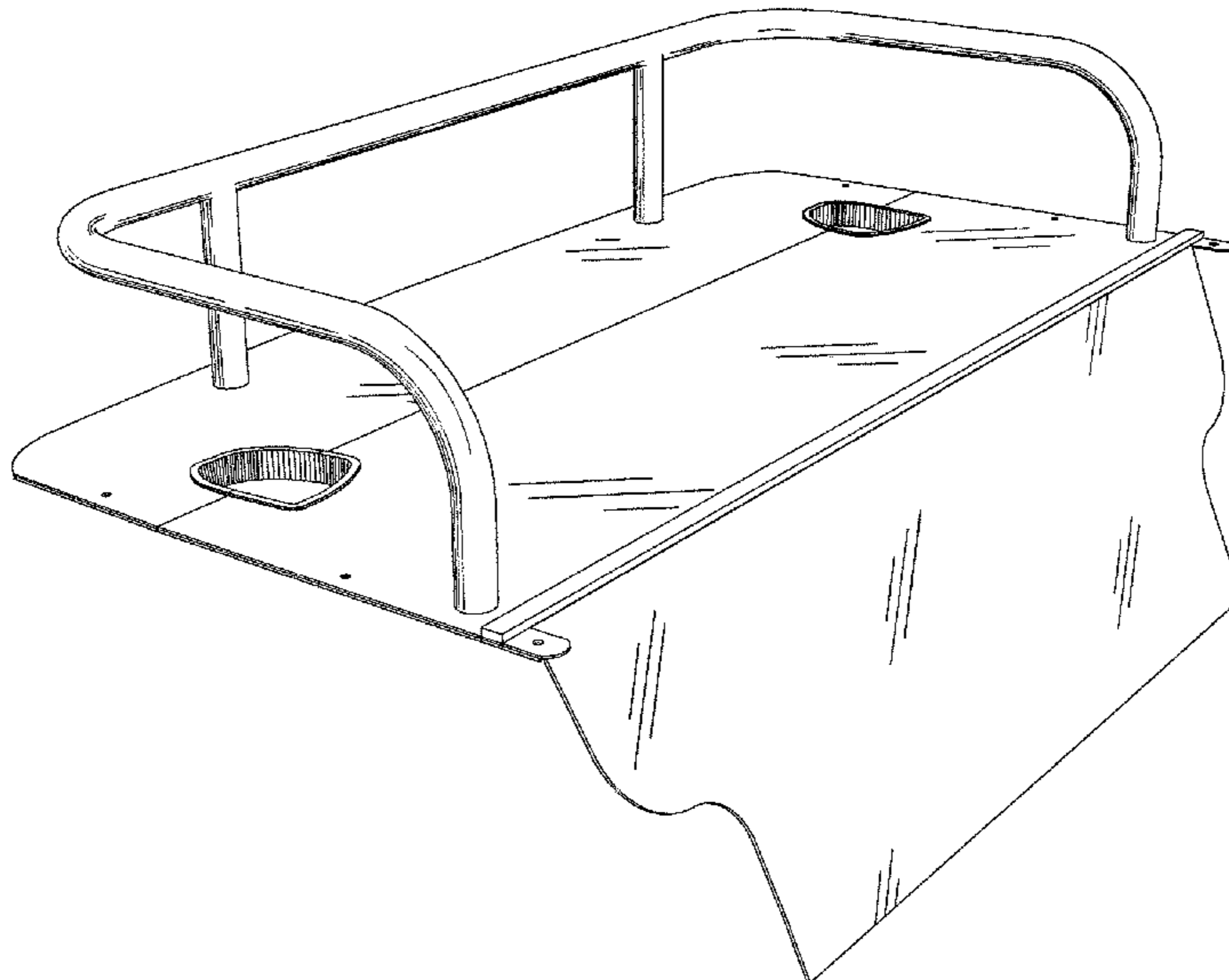
(57) **CLAIM**

The ornamental design for a security enclosure for an open deck vehicle, as shown and described.

DESCRIPTION

FIG. 1 is a perspective view of a security enclosure for an open deck vehicle, showing my new design;
FIG. 2 is a front elevational view thereof;
FIG. 3 is rear elevational view thereof;
FIG. 4 is a top plan view thereof;
FIG. 5 is bottom plan view thereof; and,
FIG. 6 is a right side elevational view thereof.
The left side elevational view is a mirror image of FIG. 6.

1 Claim, 6 Drawing Sheets



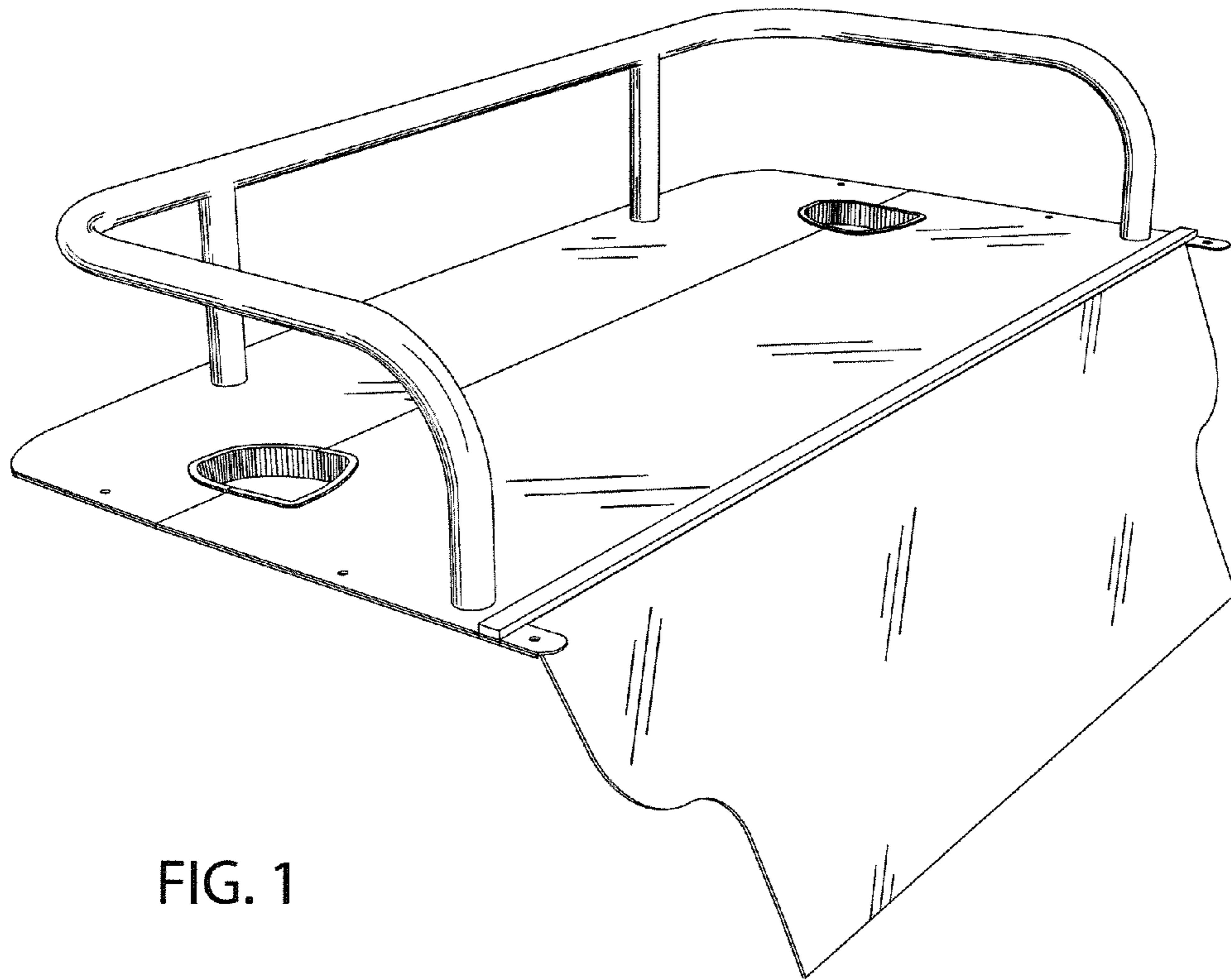


FIG. 1

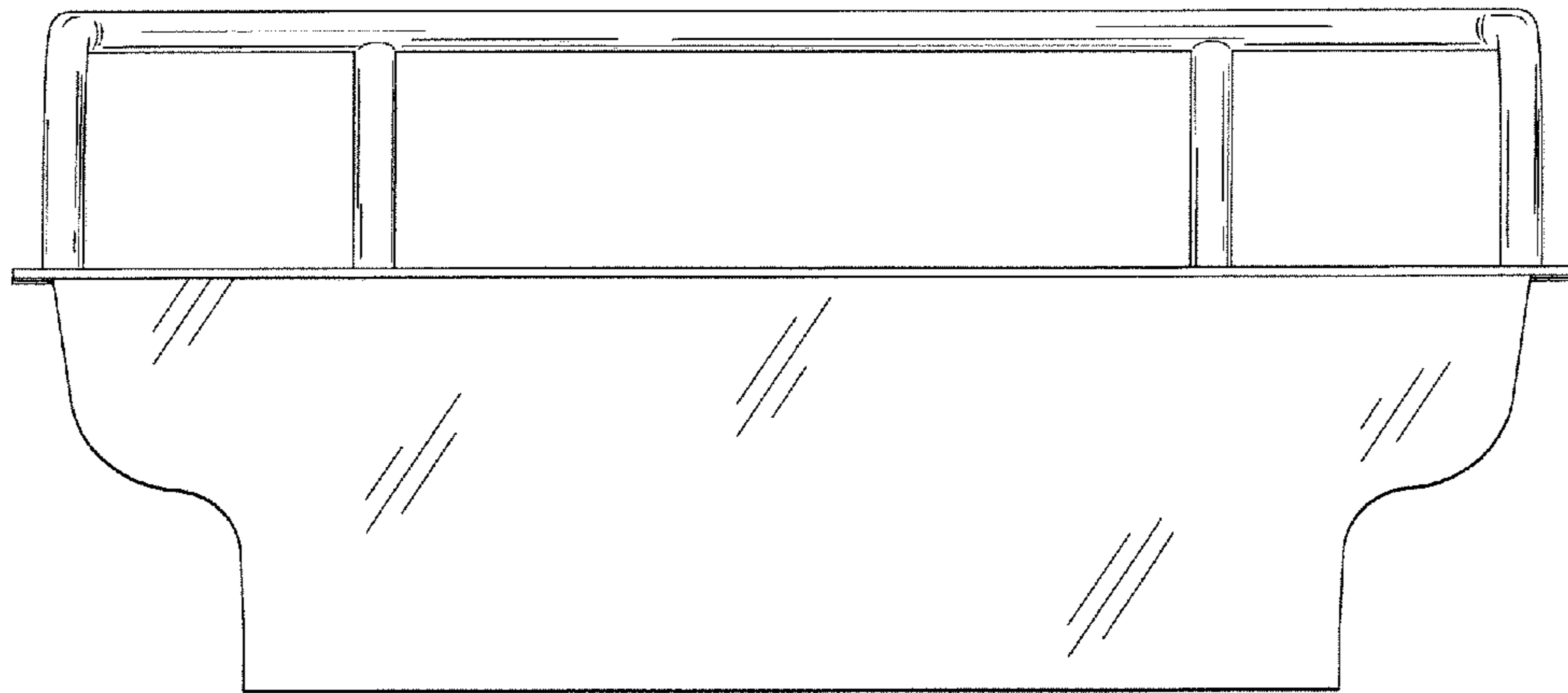


FIG. 2

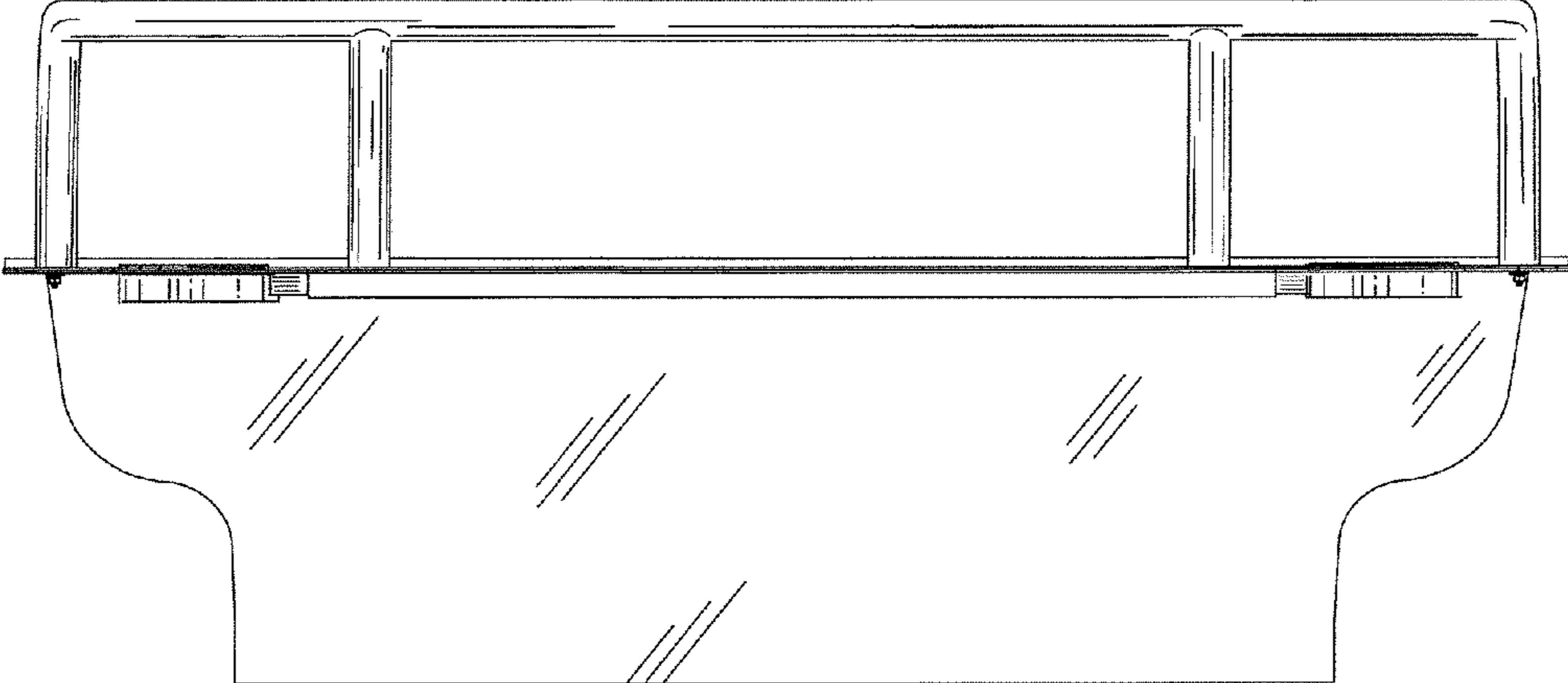


FIG. 3

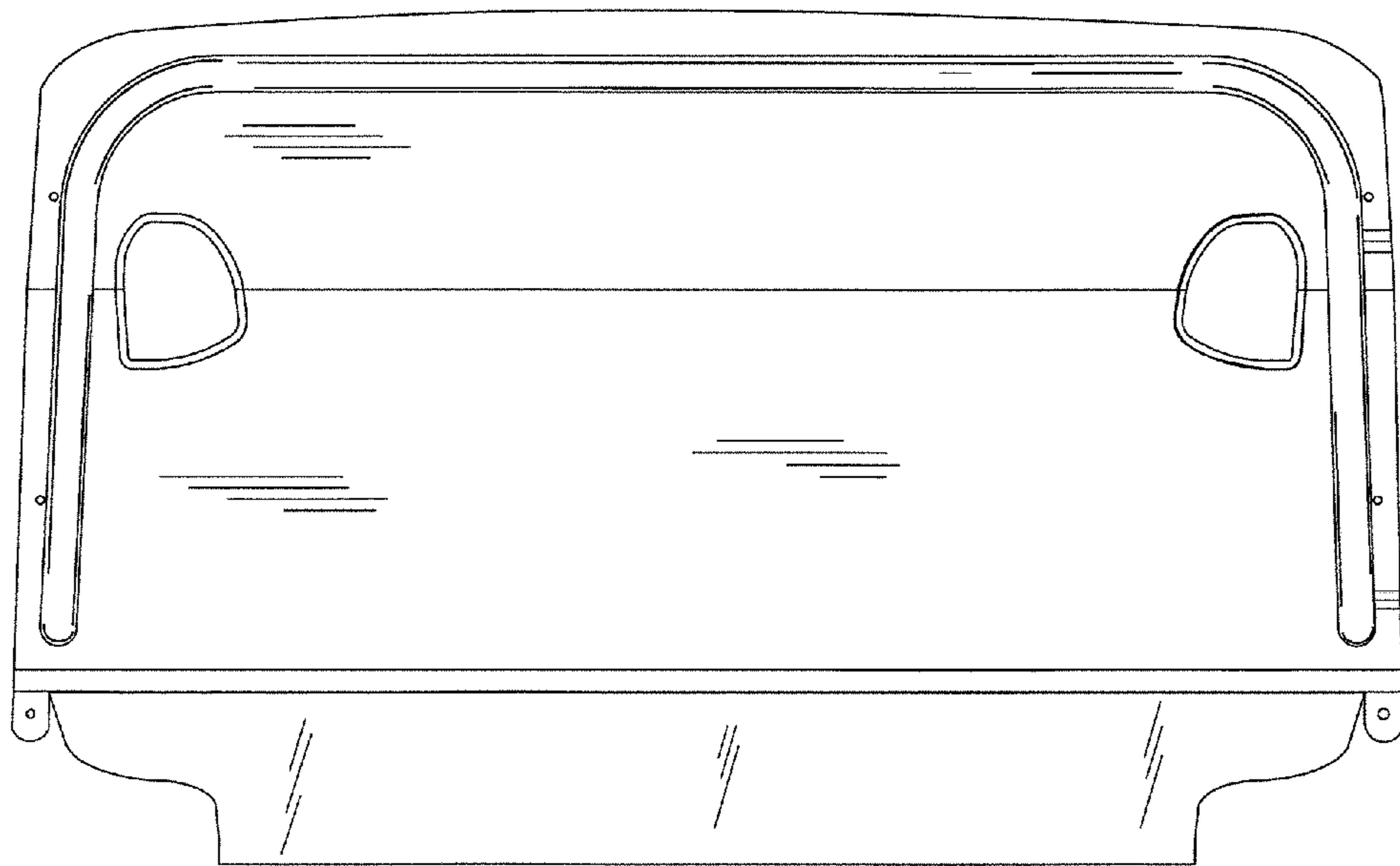


FIG. 4

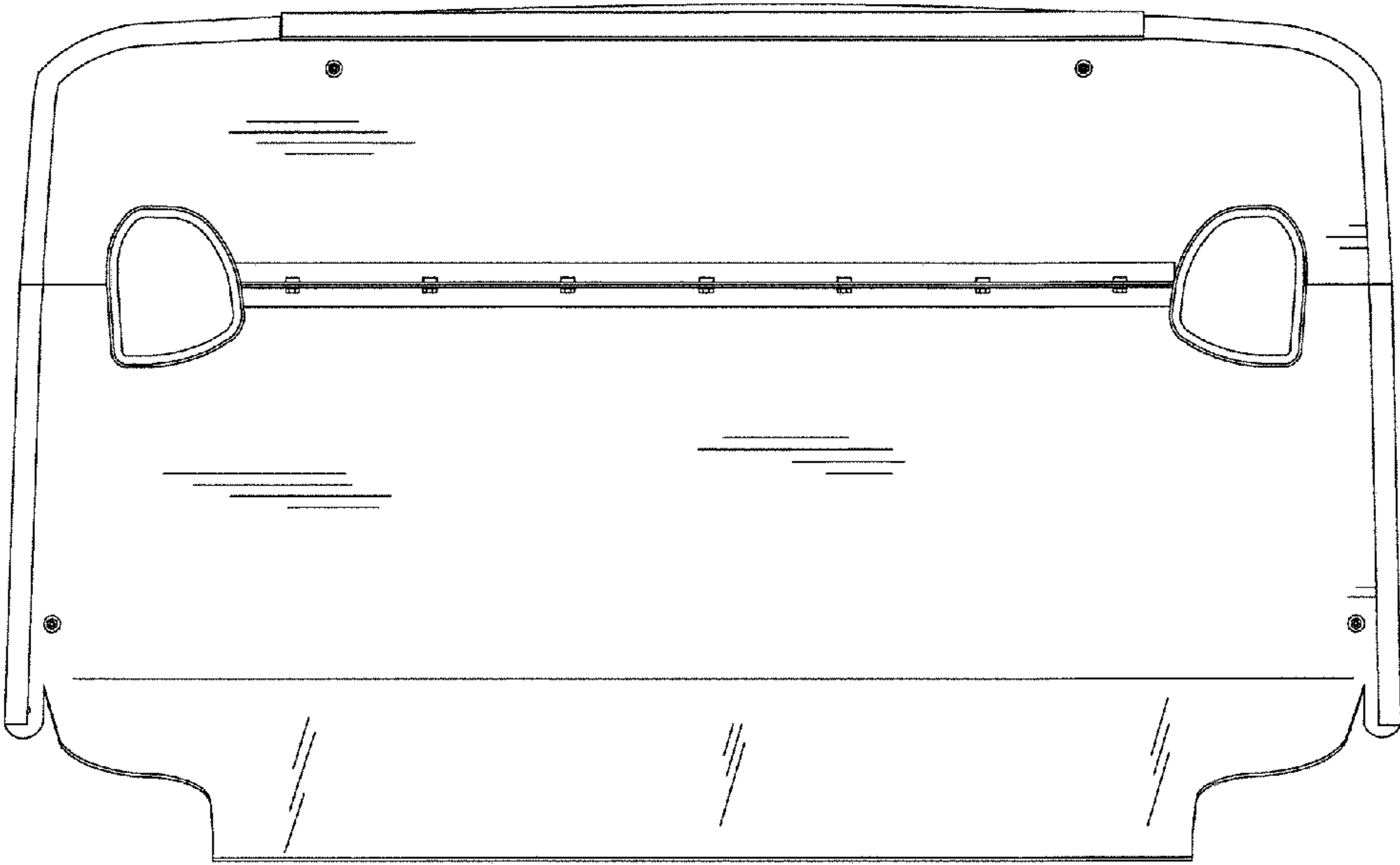


FIG. 5

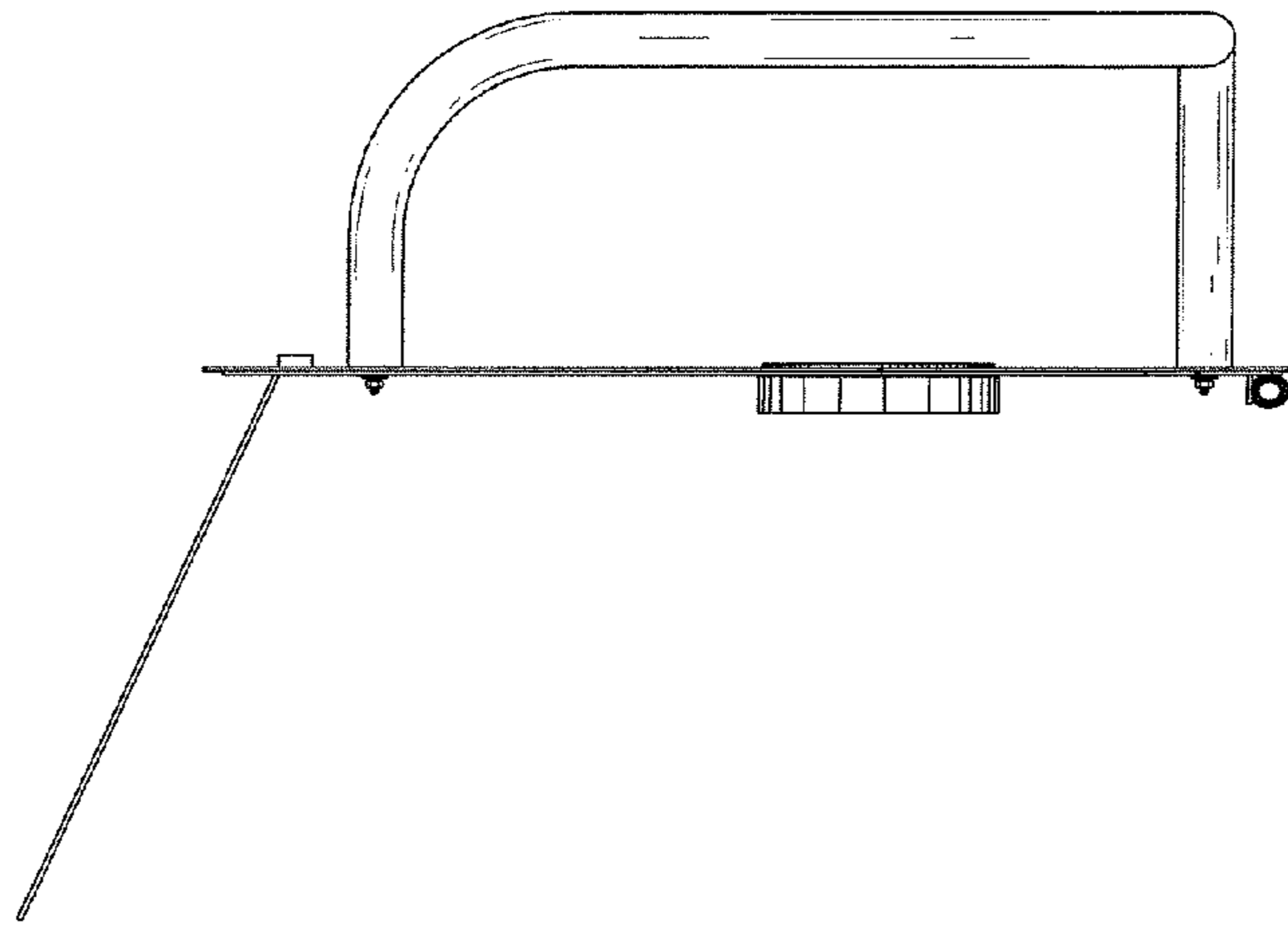


FIG. 6