



US00D722941S

(12) **United States Design Patent**  
**Oh**

(10) **Patent No.:** **US D722,941 S**

(45) **Date of Patent:** **\*\* Feb. 24, 2015**

(54) **BLACK BOX WITH A VIDEO CAMERA FOR  
AUTOMOBILE**

(71) Applicant: **Winytechnology Co., Ltd.,**  
Gyeonggi-do (KR)

(72) Inventor: **Hyung Seok Oh,** Gyeonggi-do (KR)

(73) Assignee: **Winytechnology Co., Ltd.,**  
Gyeonggi-do (KR)

(\*\*) Term: **14 Years**

(21) Appl. No.: **29/436,209**

(22) Filed: **Nov. 2, 2012**

(51) **LOC (10) Cl.** ..... **12-16**

(52) **U.S. Cl.**  
USPC ..... **D12/400; D16/202**

(58) **Field of Classification Search**  
CPC ... H04N 5/222; H04N 5/2228; H04N 5/2258;  
B60R 11/04; B60R 25/302; B60R 25/305;  
G03B 19/00; G03B 19/18  
USPC ..... D12/89, 114, 187, 188, 192, 203, 314,  
D12/400-405; D28/36, 92; 280/5.3, 163,  
280/164.2, 166, 169, 291; D16/202, 206,  
D16/208, 217, 221, 239, 241

See application file for complete search history.

(56) **References Cited**

U.S. PATENT DOCUMENTS

D441,000	S	*	4/2001	Vanderwilt et al.	.....	D16/202
D503,182	S	*	3/2005	Ogura	.....	D16/202
D522,553	S	*	6/2006	Yoo	.....	D16/202
D614,682	S	*	4/2010	Holder	.....	D16/203
D641,770	S	*	7/2011	Hoehn et al.	.....	D16/202
D651,229	S	*	12/2011	Tan et al.	.....	D16/202
D709,117	S	*	7/2014	Gan et al.	.....	D16/202
D712,951	S	*	9/2014	Chou et al.	.....	D16/202
2005/0024526	A1	*	2/2005	Wang	.....	348/552

\* cited by examiner

*Primary Examiner* — Deanna L Pratt

*Assistant Examiner* — Natasha Vujcic

(74) *Attorney, Agent, or Firm* — Rabin & Berdo, P.C.

(57) **CLAIM**

I claim the ornamental design for black box with a video camera for automobile, as shown and described.

**DESCRIPTION**

FIG. 1 is a perspective view of a black box with a video camera for automobile showing my new design.  
FIG. 2 is a front elevational view thereof;  
FIG. 3 is a rear elevational view thereof;  
FIG. 4 is a left side elevational view thereof;  
FIG. 5 is a right side elevational view thereof;  
FIG. 6 is a top view thereof; and,  
FIG. 7 is a bottom view thereof.

**1 Claim, 6 Drawing Sheets**





FIG. 1

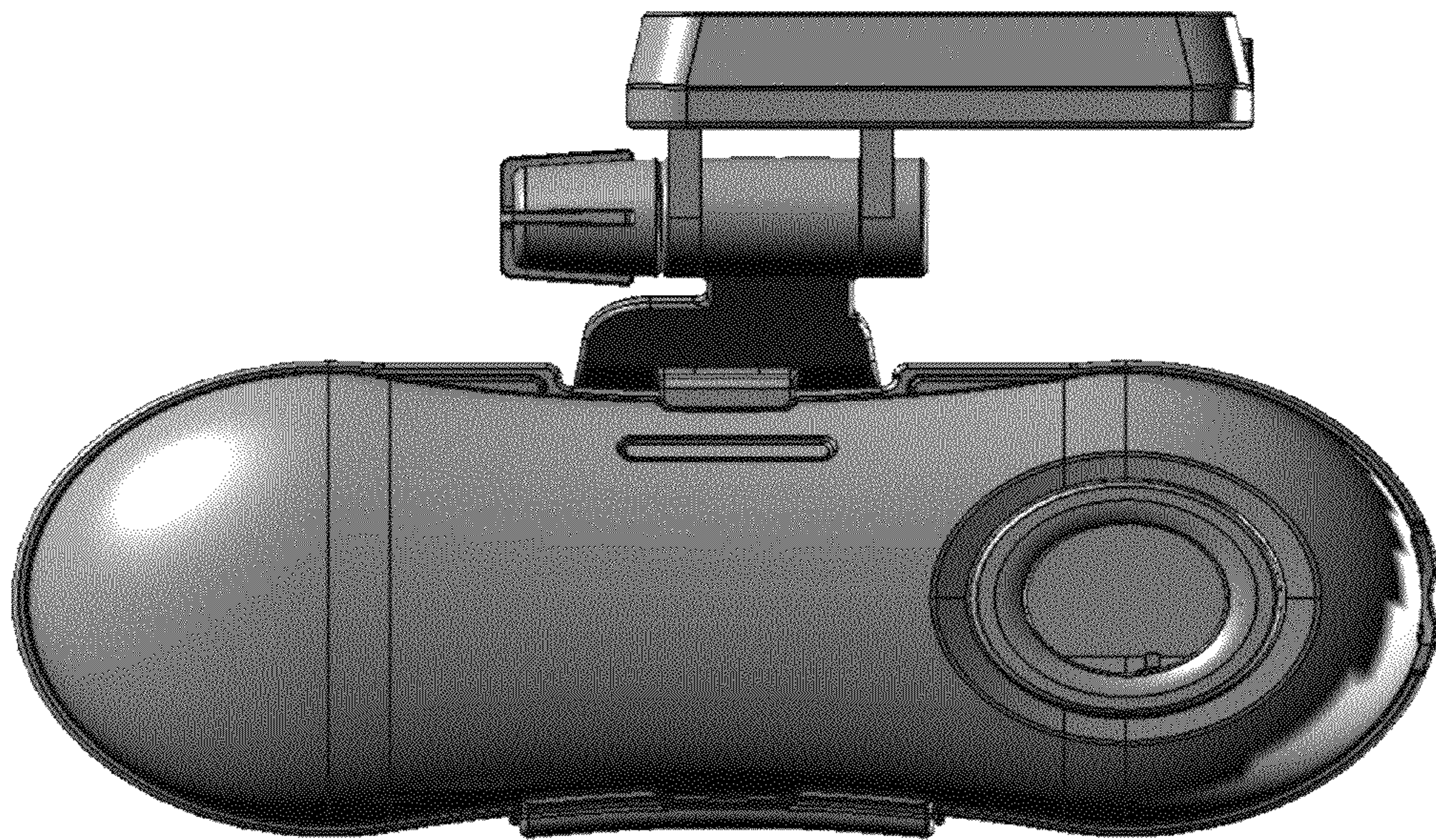


FIG. 2

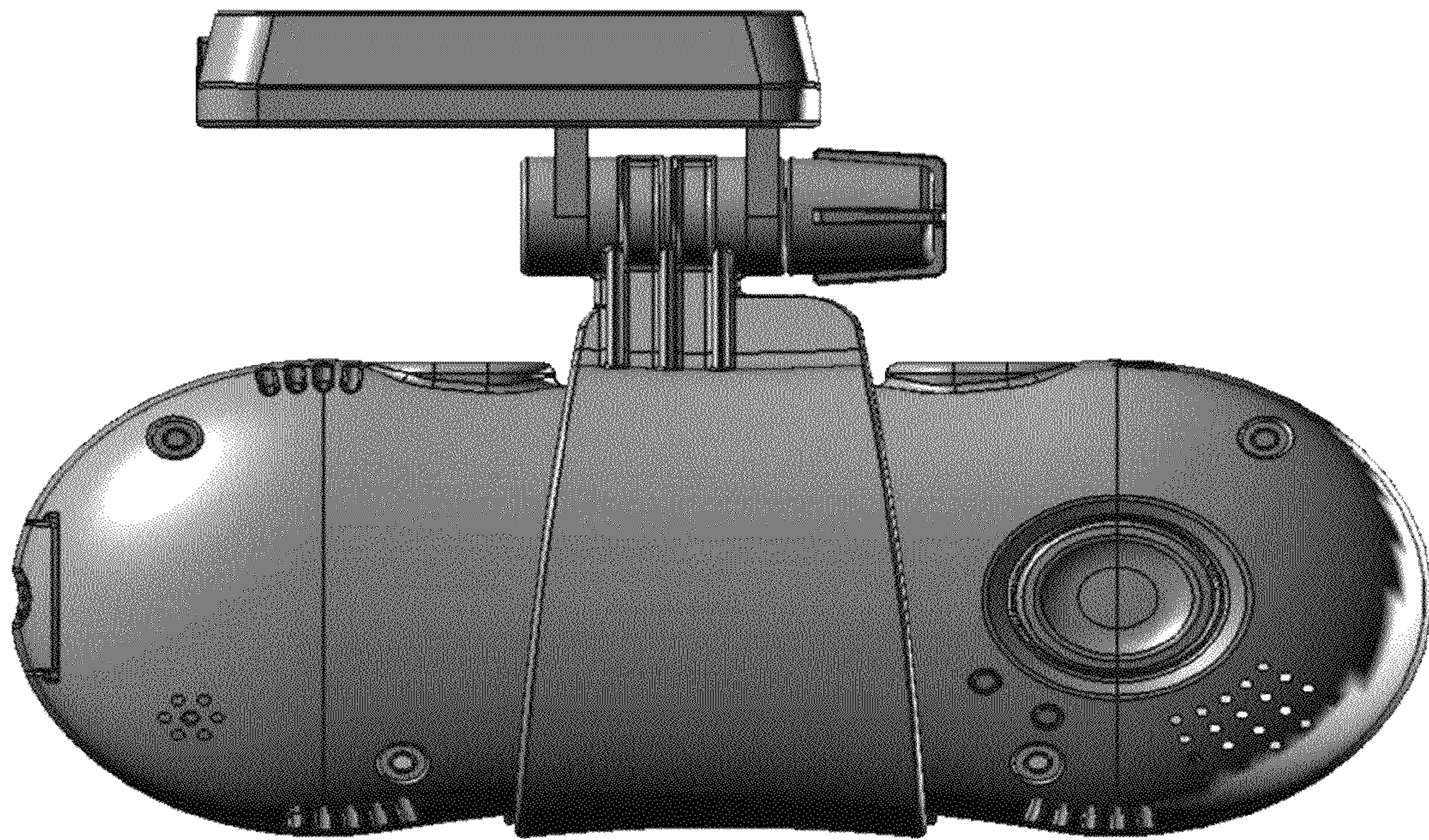


FIG. 3

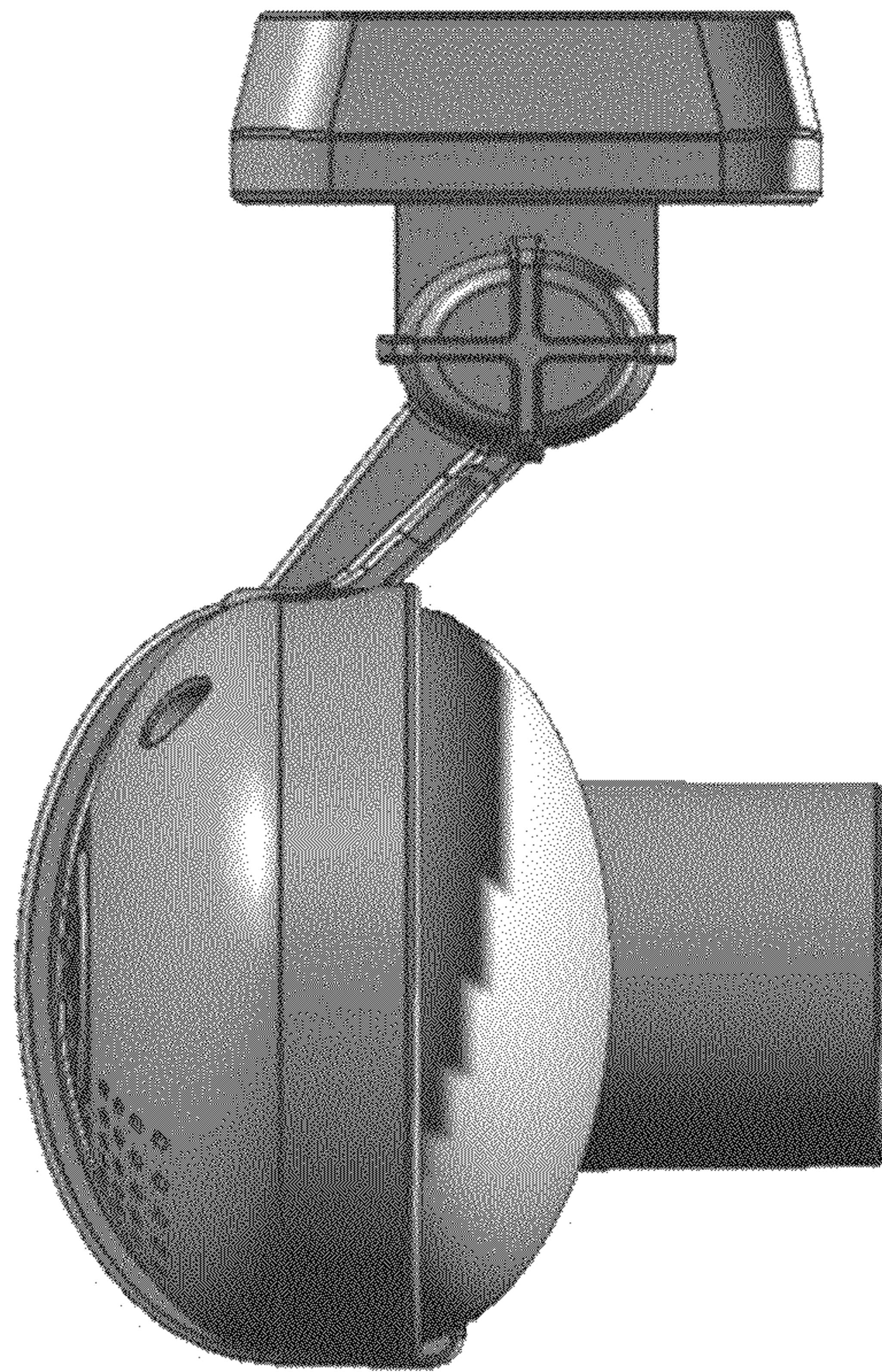


FIG. 4

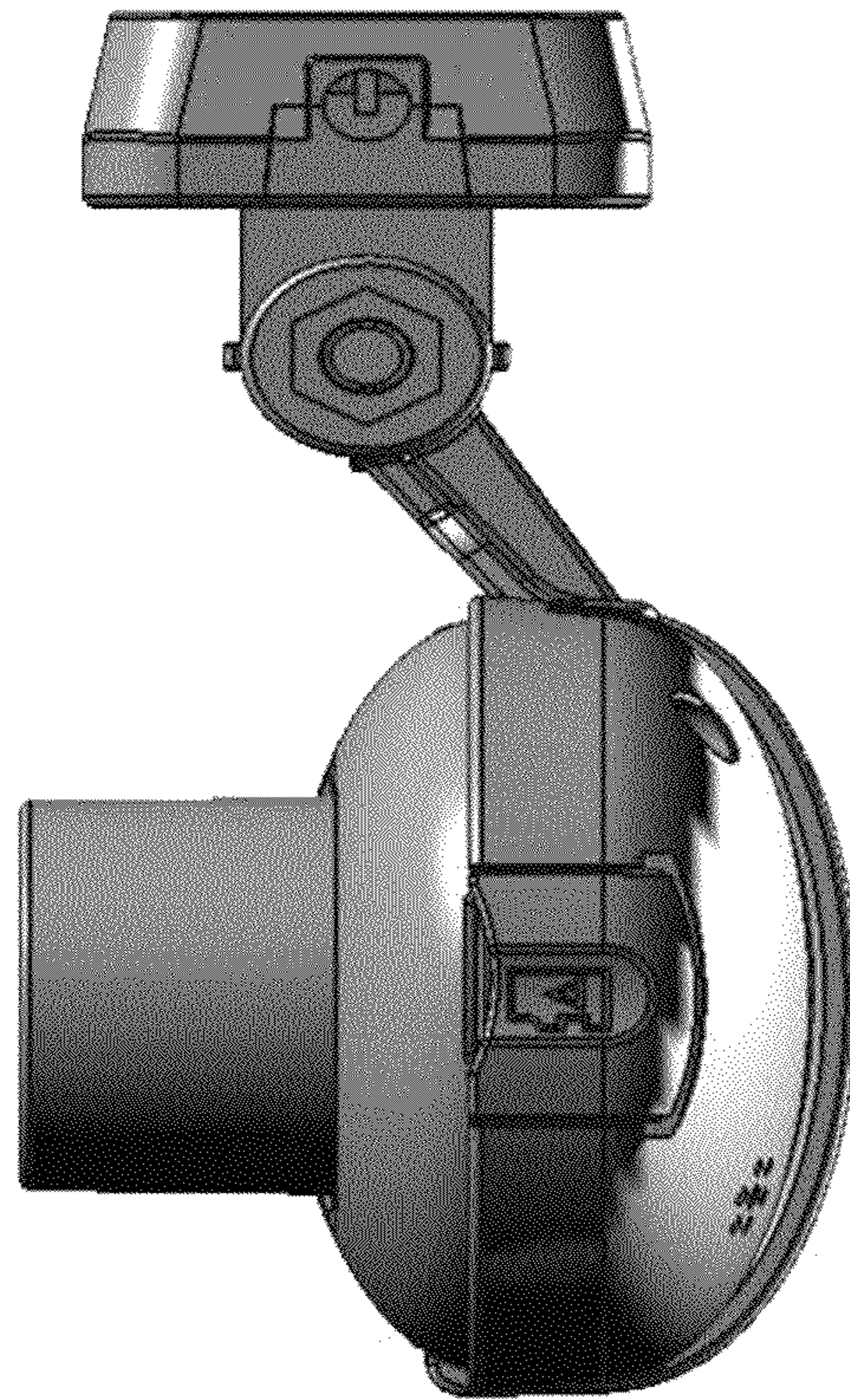


FIG. 5

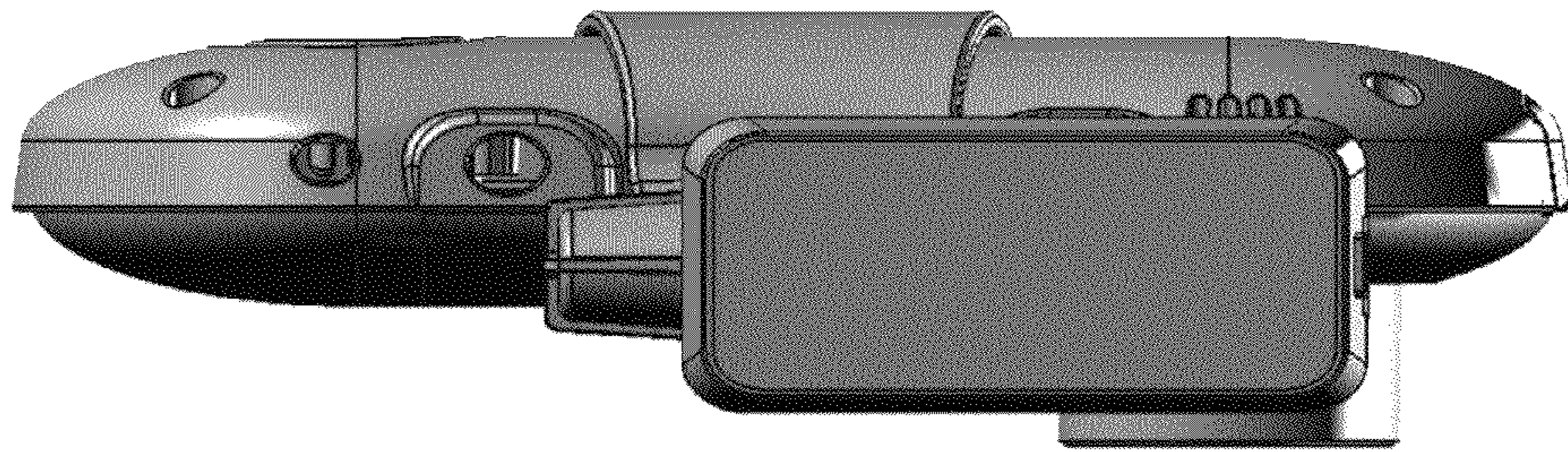


FIG. 6

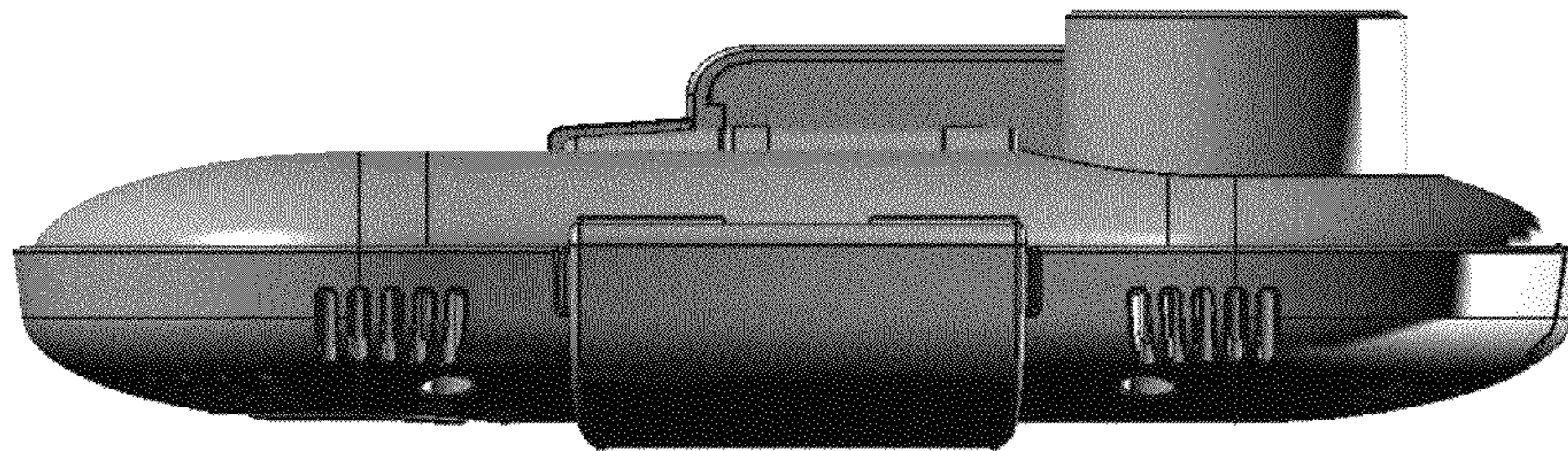


FIG. 7