



US00D722937S

(12) **United States Design Patent**
Johnson

(10) **Patent No.:** **US D722,937 S**

(45) **Date of Patent:** **** Feb. 24, 2015**

(54) **AUTOMOTIVE WHEEL**

(71) Applicant: **Kelly R. Johnson**, City of Industry, CA (US)

(72) Inventor: **Kelly R. Johnson**, City of Industry, CA (US)

(73) Assignee: **The Wheel Group**, City of Industry, CA (US)

(**) Term: **14 Years**

(21) Appl. No.: **29/474,276**

(22) Filed: **Aug. 1, 2014**

(51) **LOC (10) Cl.** **12-16**

(52) **U.S. Cl.**
USPC **D12/209**

(58) **Field of Classification Search**
CPC B60B 7/00; B60B 7/02; B60B 7/04;
B60B 7/01; B60B 7/06; B60B 3/02; B60B
3/04; B60B 3/06; B60B 3/10; B60B 1/00;
B60B 1/08; B60B 1/10; B60B 1/12
USPC D12/204-213
See application file for complete search history.

(56) **References Cited**

U.S. PATENT DOCUMENTS

D625,242 S *	10/2010	Zhao	D12/211
D639,222 S *	6/2011	Johnson	D12/209
D659,067 S *	5/2012	Lee	D12/209
D659,069 S *	5/2012	Johnson	D12/211
D675,970 S *	2/2013	Lee	D12/209
D680,936 S *	4/2013	Claunch	D12/209
D680,940 S *	4/2013	Hale, Jr.	D12/211
D691,542 S *	10/2013	Chan	D12/209
D695,193 S *	12/2013	Kong	D12/211
D702,172 S *	4/2014	Chung	D12/211
D704,124 S *	5/2014	Hale, Jr.	D12/211
D706,196 S *	6/2014	Lee	D12/211
D712,334 S *	9/2014	Hale, Jr.	D12/211
D715,722 S *	10/2014	Johnson	D12/211
D717,224 S *	11/2014	Kim	D12/211
D718,204 S *	11/2014	Johnson	D12/209

* cited by examiner

Primary Examiner — Stacia Cadmus

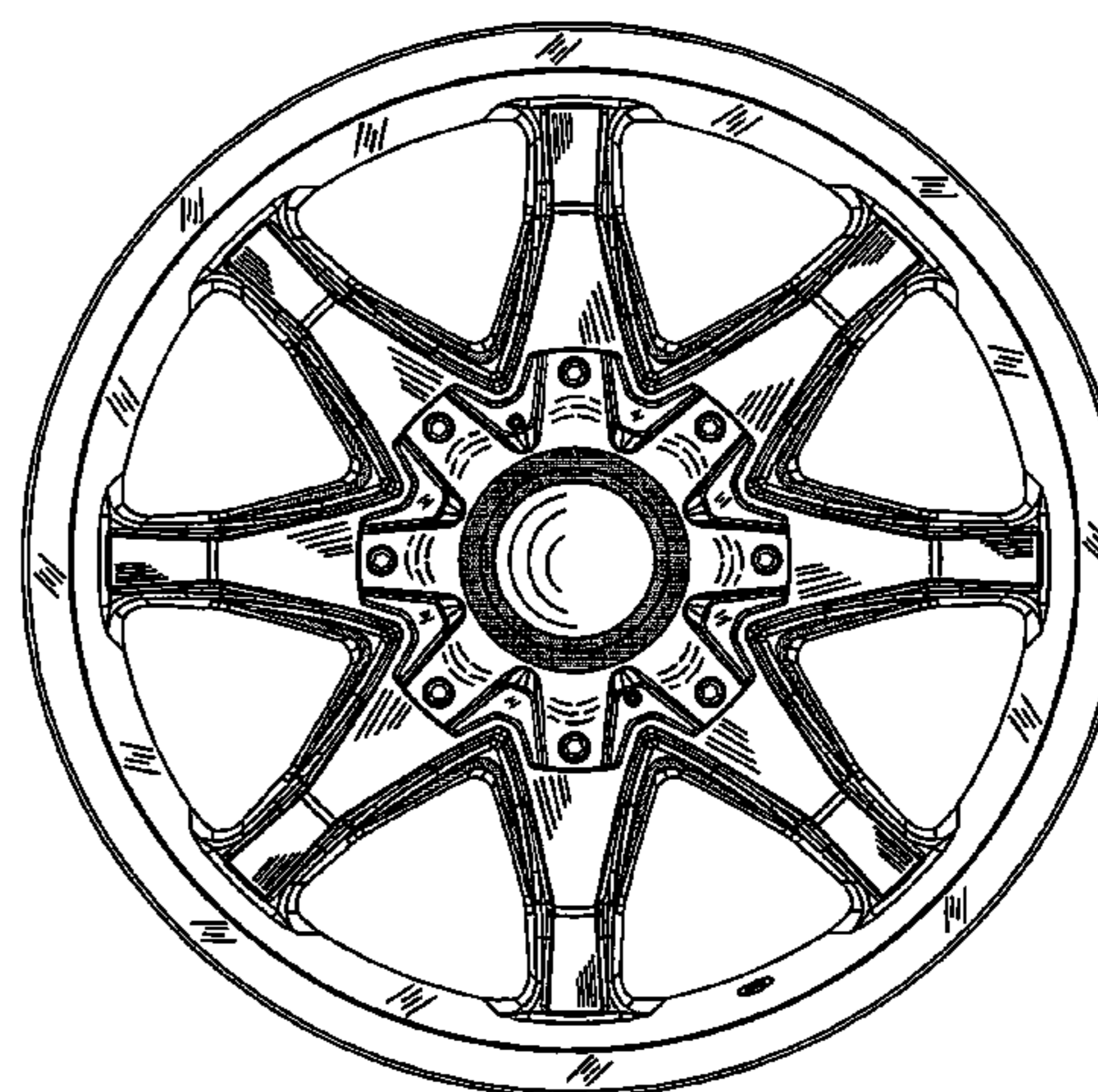
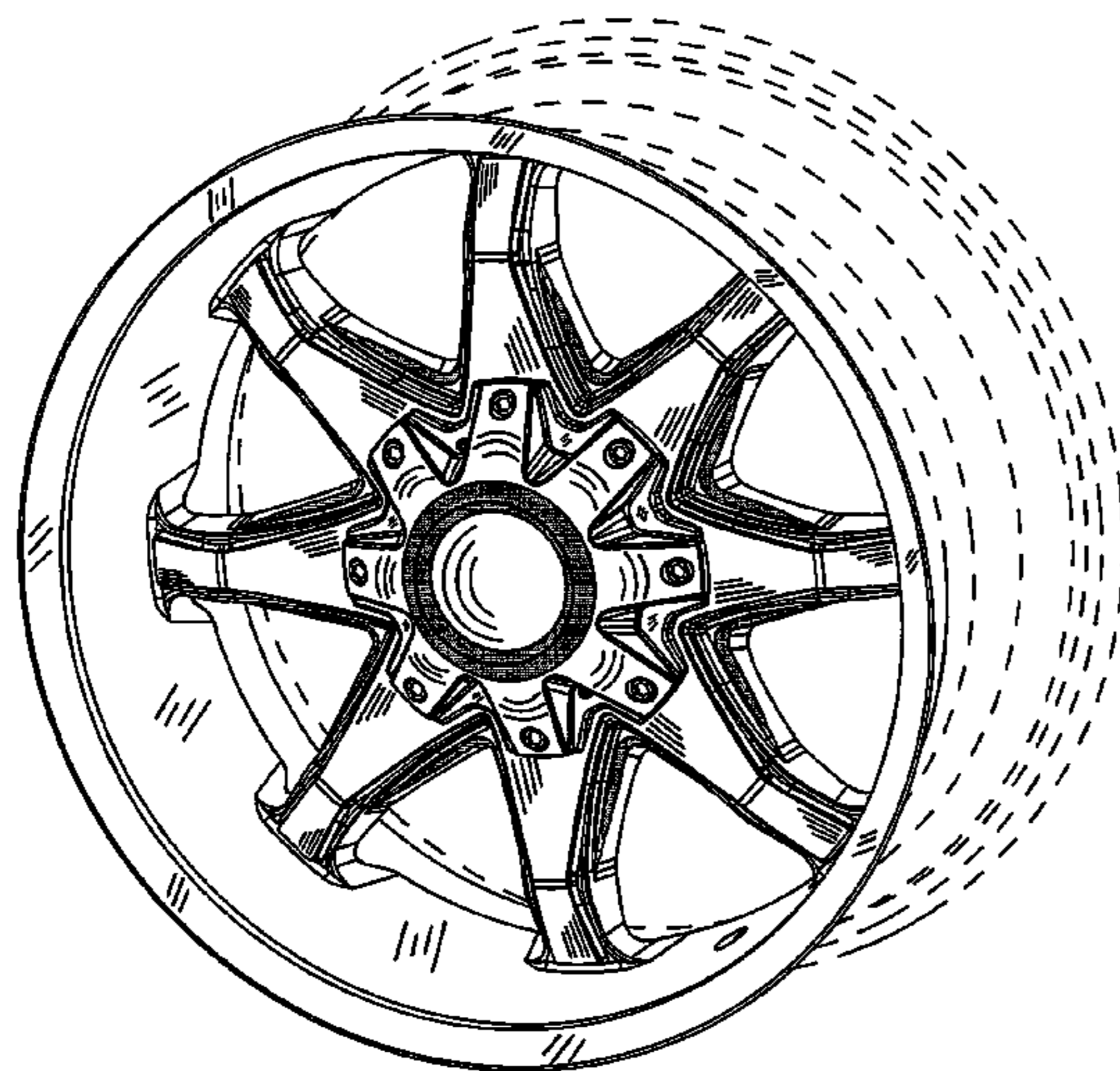
(57) **CLAIM**

The ornamental design for an automotive wheel, as shown and described.

DESCRIPTION

FIG. 1 is a perspective view of an automotive wheel front face showing my new design; and, FIG. 2 is a front elevational view thereof. In the drawings, the broken lines are for illustrative purposes only and form no part of the claimed design.

1 Claim, 2 Drawing Sheets



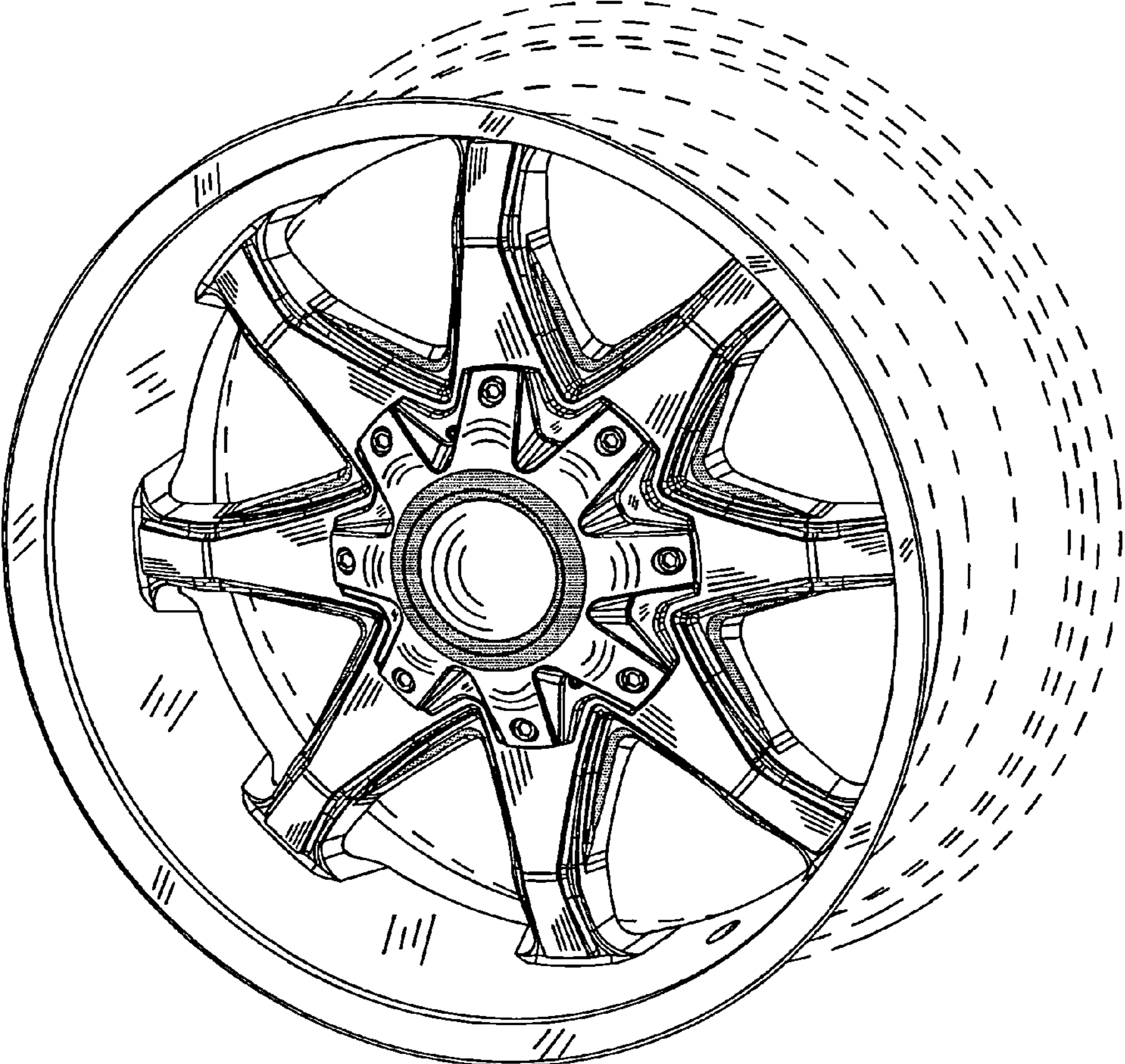


FIG.1

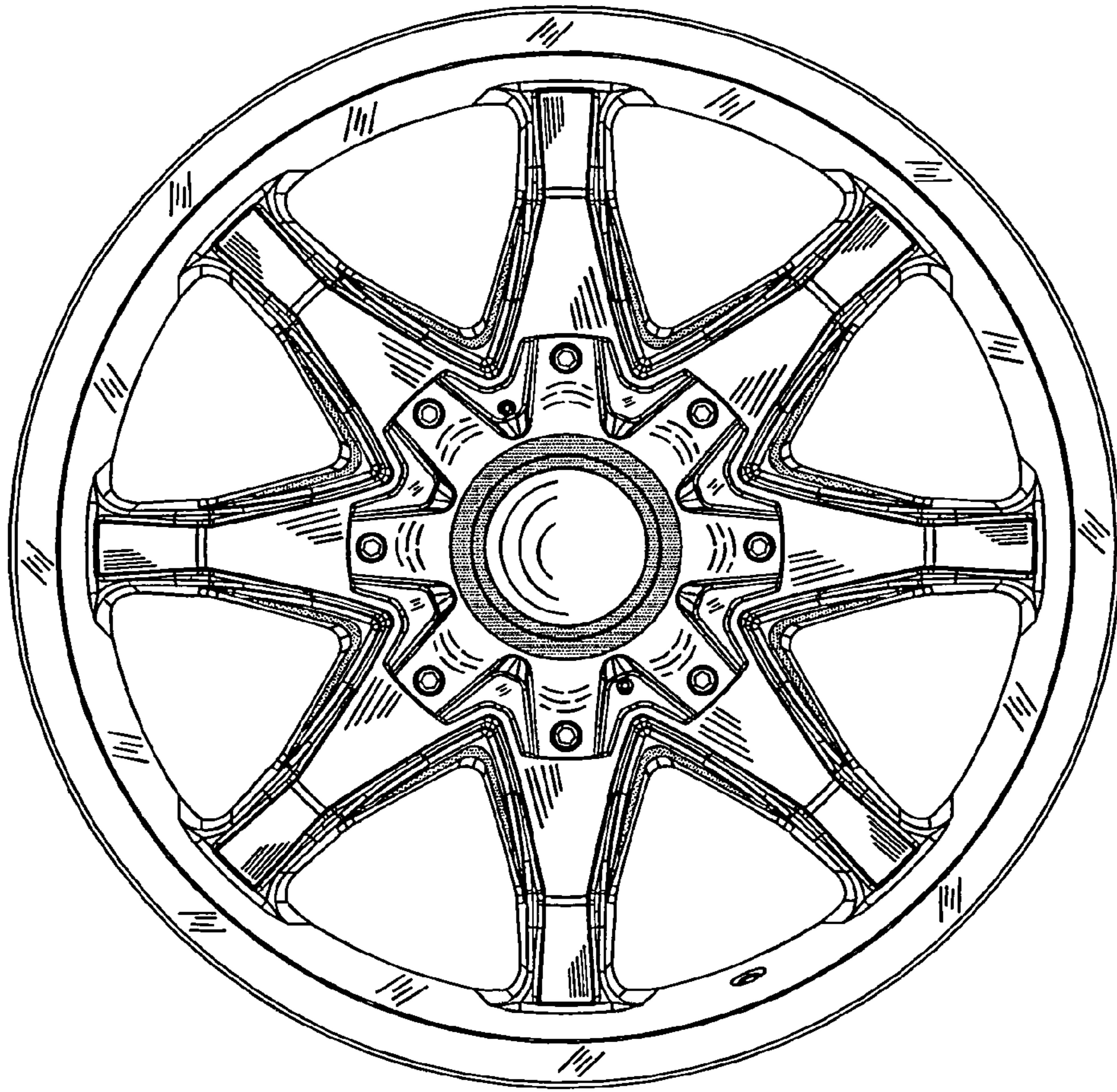


FIG.2