



US00D722936S

(12) **United States Design Patent**  
**Futschik et al.**

(10) **Patent No.:** **US D722,936 S**

(45) **Date of Patent:** **\*\* Feb. 24, 2015**

(54) **WHEEL OR WHEEL COVER**

(71) Applicant: **Daimler AG**, Stuttgart (DE)

(72) Inventors: **Hans-Dieter Futschik**, Gechingen (DE);  
**Robert Lesnik**, Leonberg (DE); **Gert Stolz**, Stuttgart (DE); **Gorden Wagener**, Gaeufelden (DE)

(73) Assignee: **Daimler AG**, Stuttgart (DE)

(\*\*) Term: **14 Years**

(21) Appl. No.: **29/453,217**

(22) Filed: **Apr. 26, 2013**

(30) **Foreign Application Priority Data**

Oct. 31, 2012 (EM) ..... 002127993-0001

(51) **LOC (10) Cl.** ..... **12-16**

(52) **U.S. Cl.**  
USPC ..... **D12/209**

(58) **Field of Classification Search**

CPC ..... B60B 7/00; B60B 7/02; B60B 7/04;  
B60B 7/01; B60B 7/06; B60B 3/02; B60B  
3/04; B60B 3/06; B60B 3/10; B60B 1/00;  
B60B 1/08; B60B 1/10; B60B 1/12

USPC ..... D12/204-213

See application file for complete search history.

(56) **References Cited**

U.S. PATENT DOCUMENTS

D232,930 S *	9/1974	Edwards	.....	D12/209
D288,431 S *	2/1987	Arai	.....	D12/211
D325,018 S *	3/1992	Nordmann	.....	D12/209
D325,019 S *	3/1992	Boyer	.....	D12/211
D374,648 S *	10/1996	Pfeiffer	.....	D12/209
D408,776 S *	4/1999	Sacco et al.	.....	D12/209
D441,708 S *	5/2001	Pfeiffer	.....	D12/211
D491,510 S *	6/2004	Koizumi	.....	D12/209
D598,835 S *	8/2009	DeGeorge et al.	.....	D12/209
D658,106 S *	4/2012	Thurner	.....	D12/211
D688,184 S *	8/2013	Campbell et al.	.....	D12/209
D711,304 S *	8/2014	Chung	.....	D12/209

\* cited by examiner

*Primary Examiner* — Stacia Cadmus

(74) *Attorney, Agent, or Firm* — Crowell & Moring LLP

(57) **CLAIM**

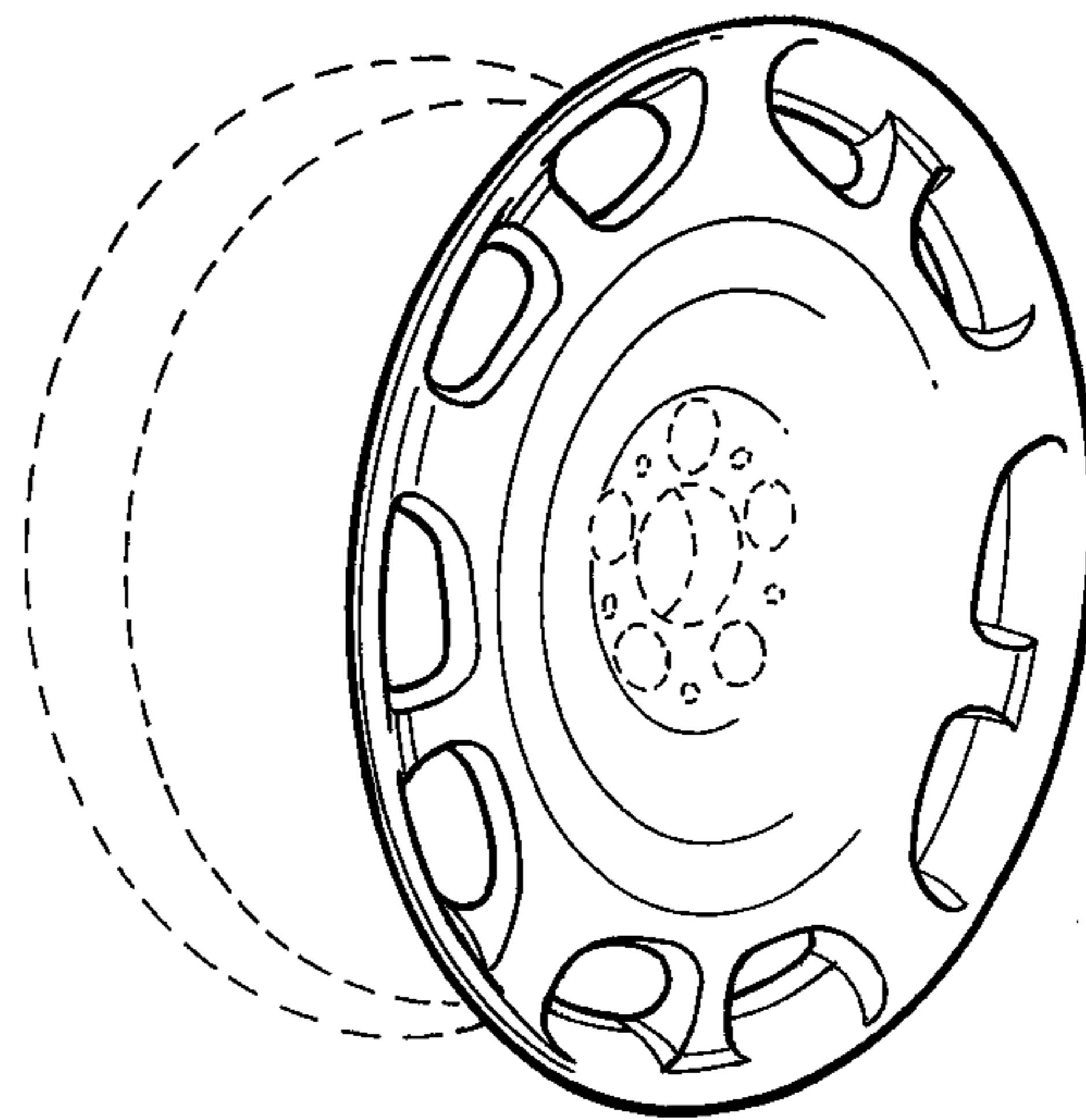
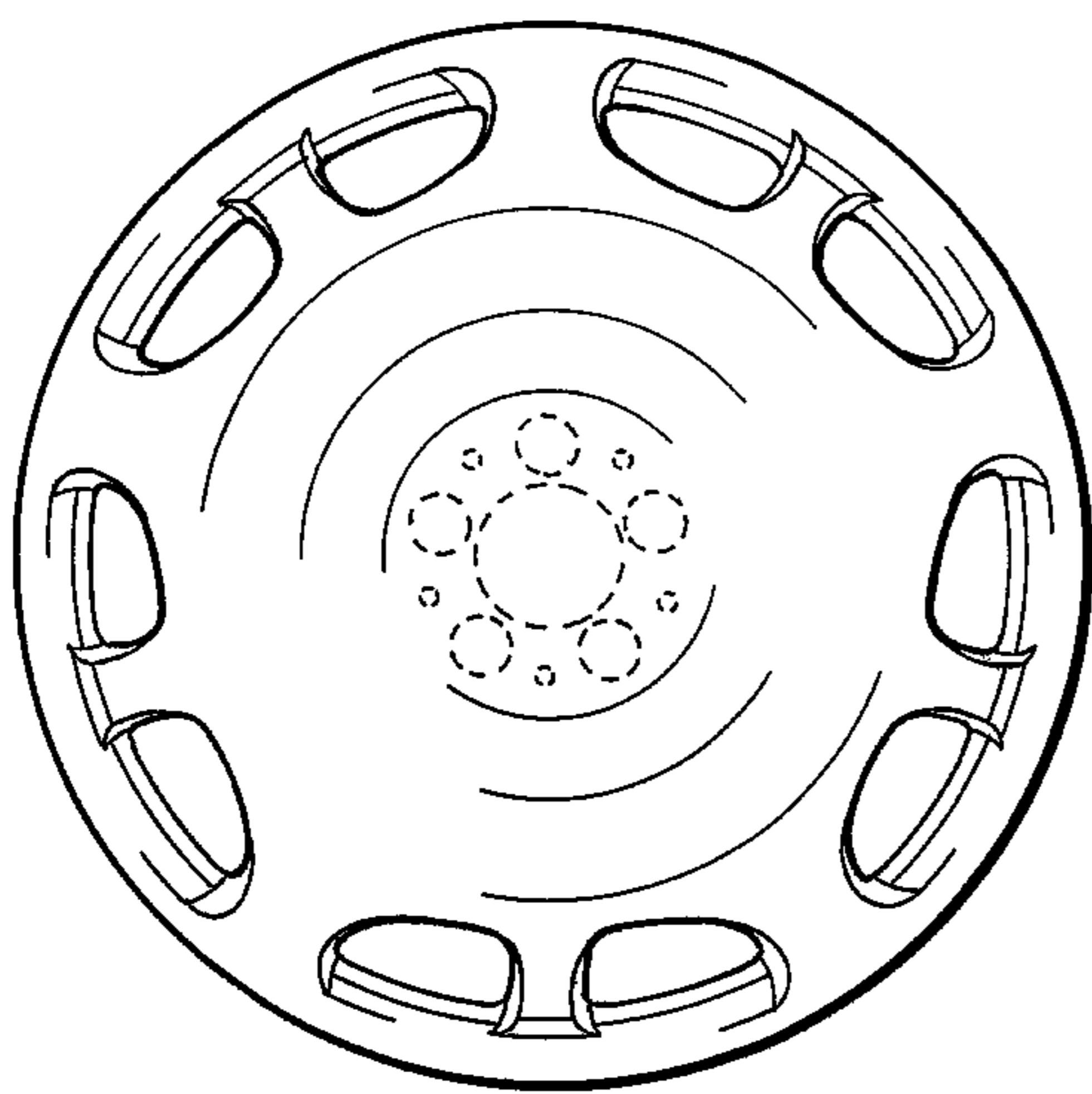
The ornamental design for a wheel or wheel cover, as shown and described.

**DESCRIPTION**

FIG. 1 is a front view of a wheel or wheel cover according to the design; and,  
FIG. 2 is a perspective view thereof.

The broken line showing of the rear of the wheel and the bolt holes and the center hole in the central hub area is included for the purpose of illustrating environment and forms no part of the claimed design.

**1 Claim, 1 Drawing Sheet**



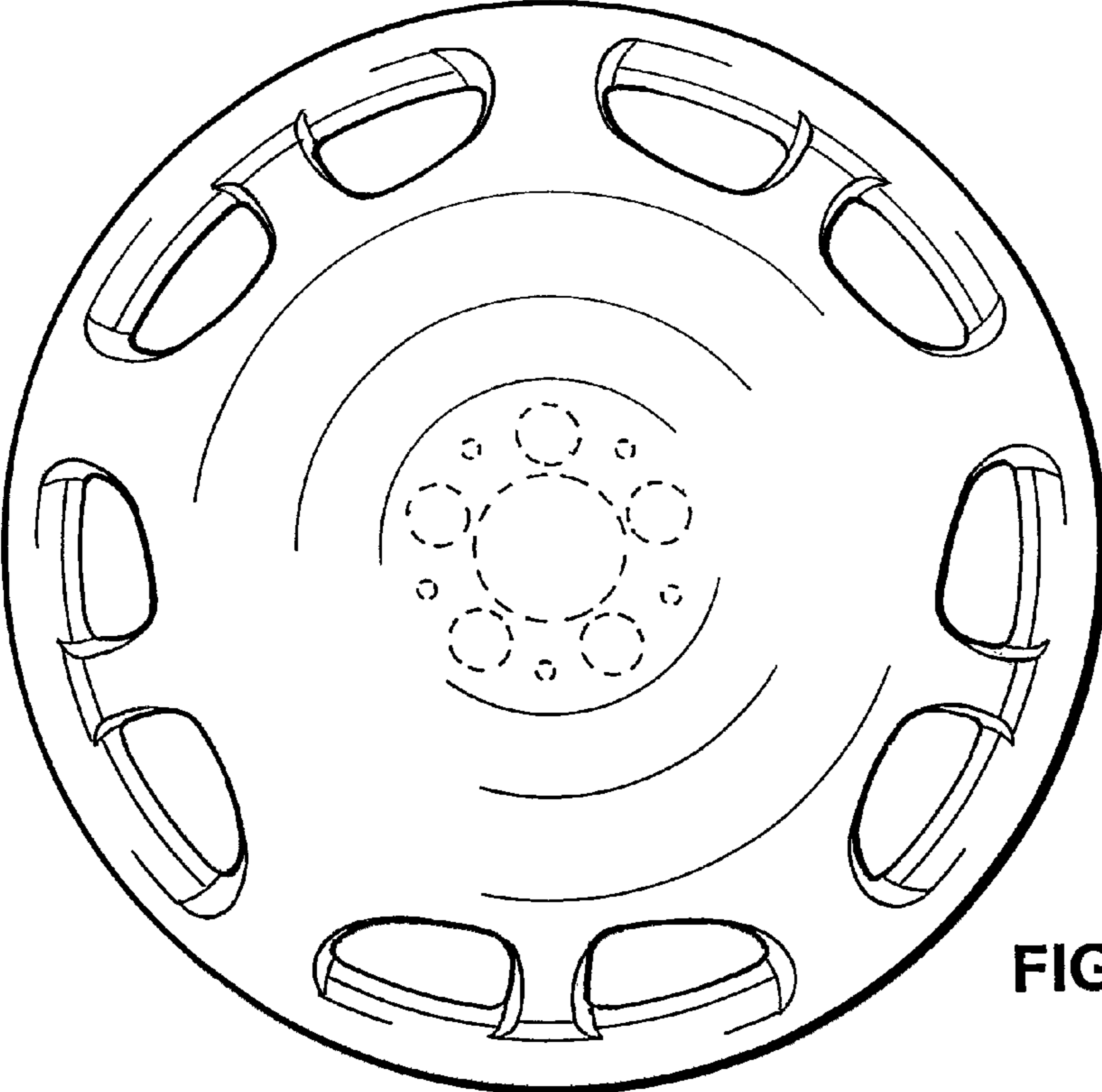


FIG. 1

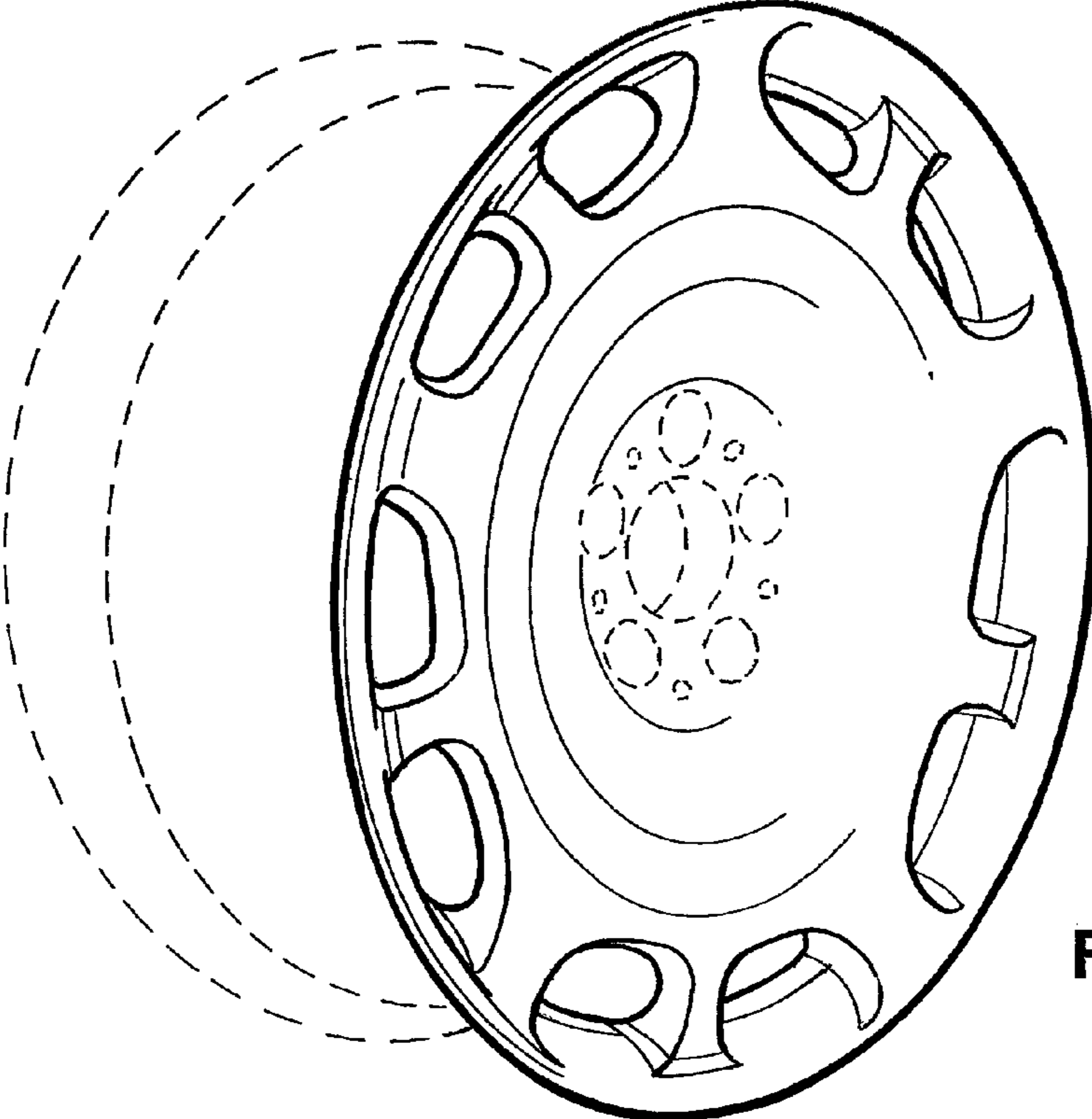


FIG. 2