



US00D722931S

(12) **United States Design Patent**
Giordano

(10) **Patent No.:** **US D722,931 S**

(45) **Date of Patent:** **** Feb. 24, 2015**

(54) **ACCESSORY REAR VIEW MIRROR MOUNT**

(71) Applicant: **Michael A. Giordano**, Rohnert Park, CA
(US)

(72) Inventor: **Michael A. Giordano**, Rohnert Park, CA
(US)

(**) Term: **14 Years**

(21) Appl. No.: **29/477,416**

(22) Filed: **Dec. 20, 2013**

(51) **LOC (10) Cl.** **12-16**

(52) **U.S. Cl.**
USPC **D12/187**

(58) **Field of Classification Search**
USPC D12/187, 188-189; D6/300, 309;
359/838, 841-844, 868, 871, 866;
248/479-483, 475.1

See application file for complete search history.

(56) **References Cited**

U.S. PATENT DOCUMENTS

D289,989 S * 5/1987 Skogler et al. D12/188
4,991,814 A * 2/1991 Schmidt et al. 248/479
6,172,613 B1 * 1/2001 DeLine et al. 340/815.4

7,621,555 B2 * 11/2009 Wilkinson 280/477
8,570,374 B2 * 10/2013 Betham et al. 348/148
D693,281 S * 11/2013 Milbank D12/187
8,636,393 B2 * 1/2014 Schofield 362/466
8,646,924 B2 * 2/2014 Roth et al. 359/872
8,710,969 B2 * 4/2014 DeWard et al. 340/425.5
8,779,910 B2 * 7/2014 DeLine et al. 340/425.5
2004/0135054 A1 * 7/2004 De Leon 248/475.1

* cited by examiner

Primary Examiner — Katrina A Betton

(74) *Attorney, Agent, or Firm* — Bay Area Technology Law
Group PC

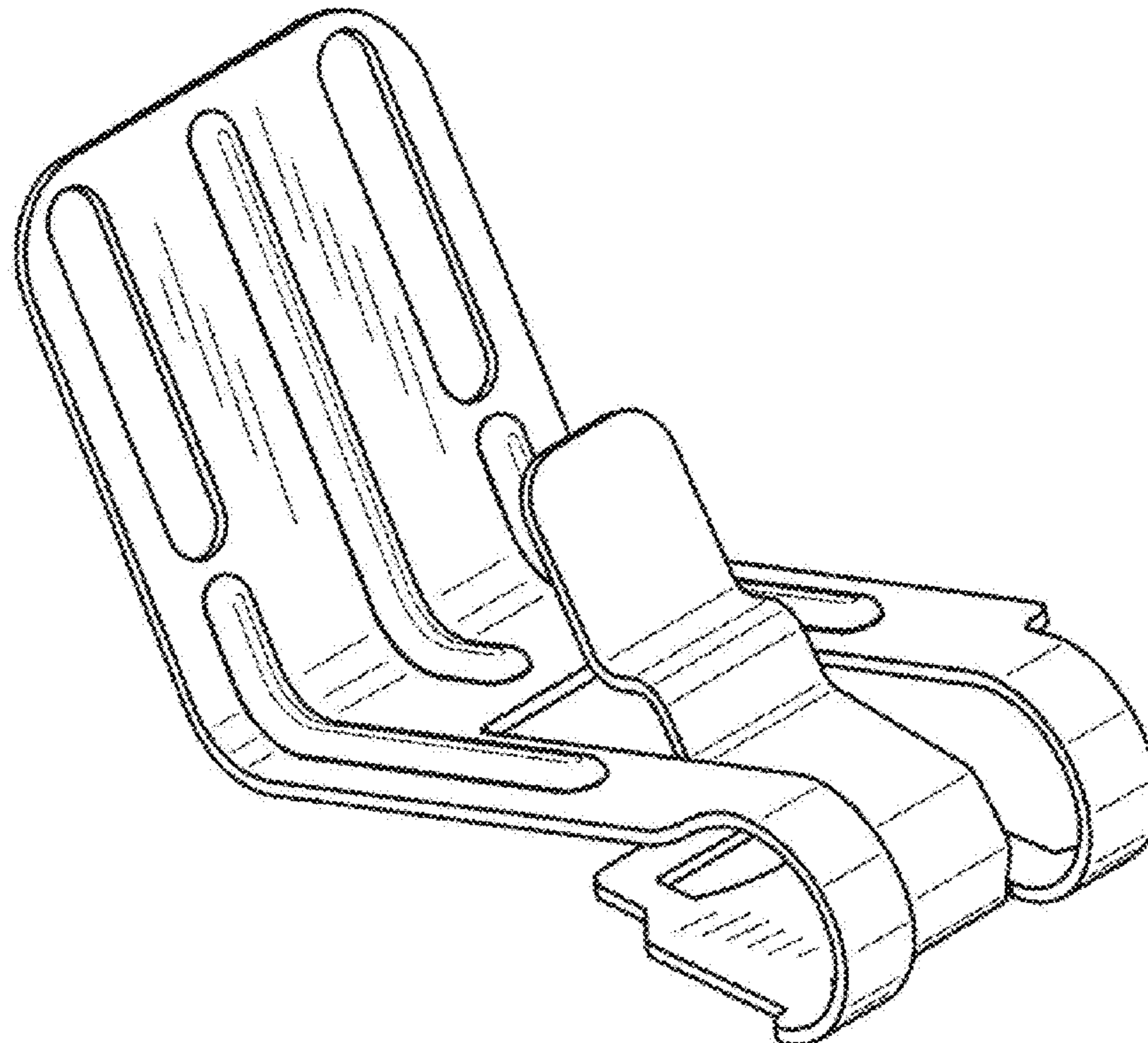
(57) **CLAIM**

The ornamental design for an accessory rear view mirror
mount, as shown and described.

DESCRIPTION

FIG. 1 is a perspective view of an accessory rear view mirror
mount showing my new design;
FIG. 2 is a bottom view of FIG. 1;
FIG. 3 is a top view of FIG. 1;
FIG. 4 is a left side view of FIG. 1;
FIG. 5 is a right side view of FIG. 1;
FIG. 6 is a rear view of FIG. 1; and,
FIG. 7 is a front view of FIG. 1.

1 Claim, 2 Drawing Sheets



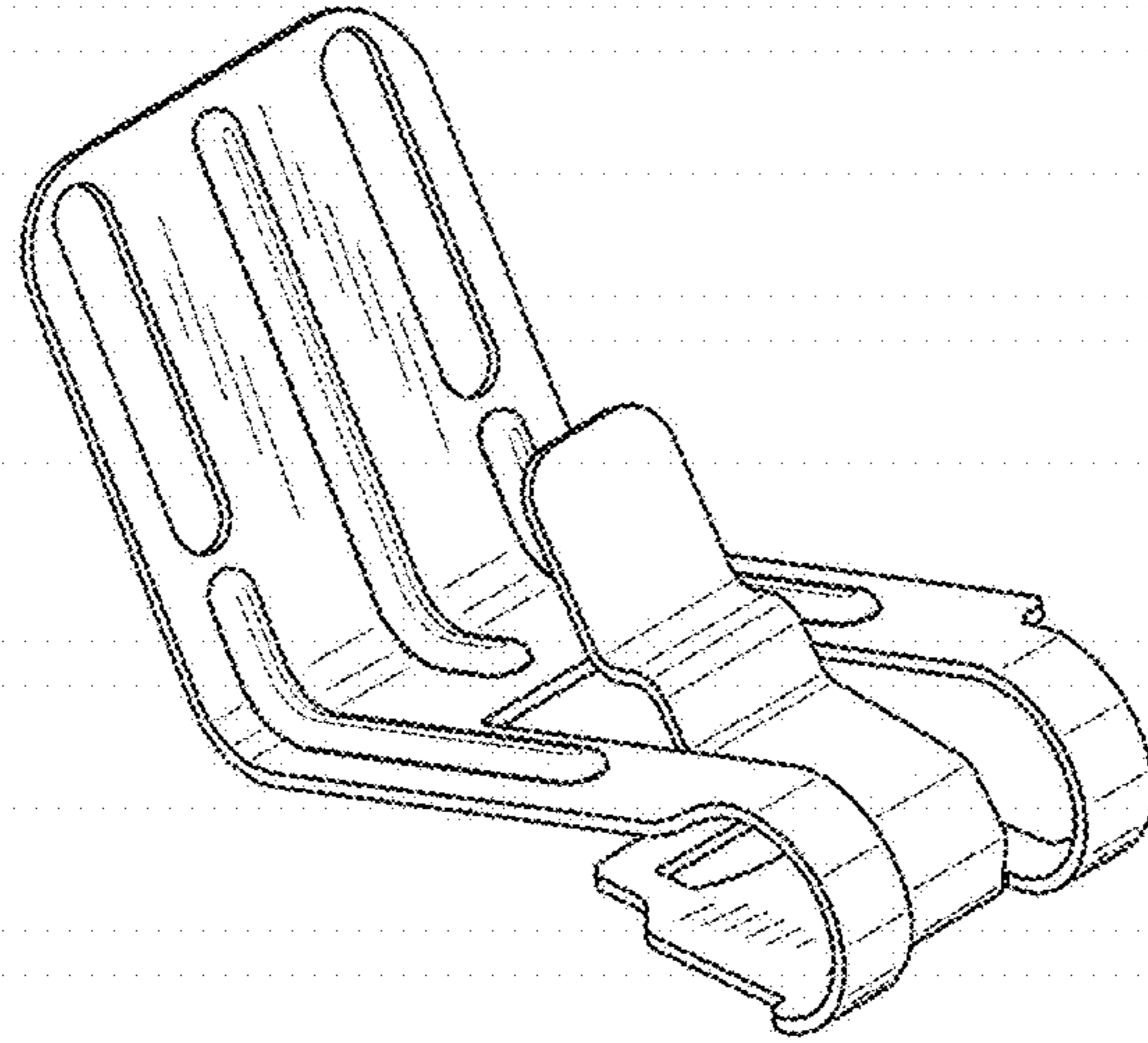


FIG. 1

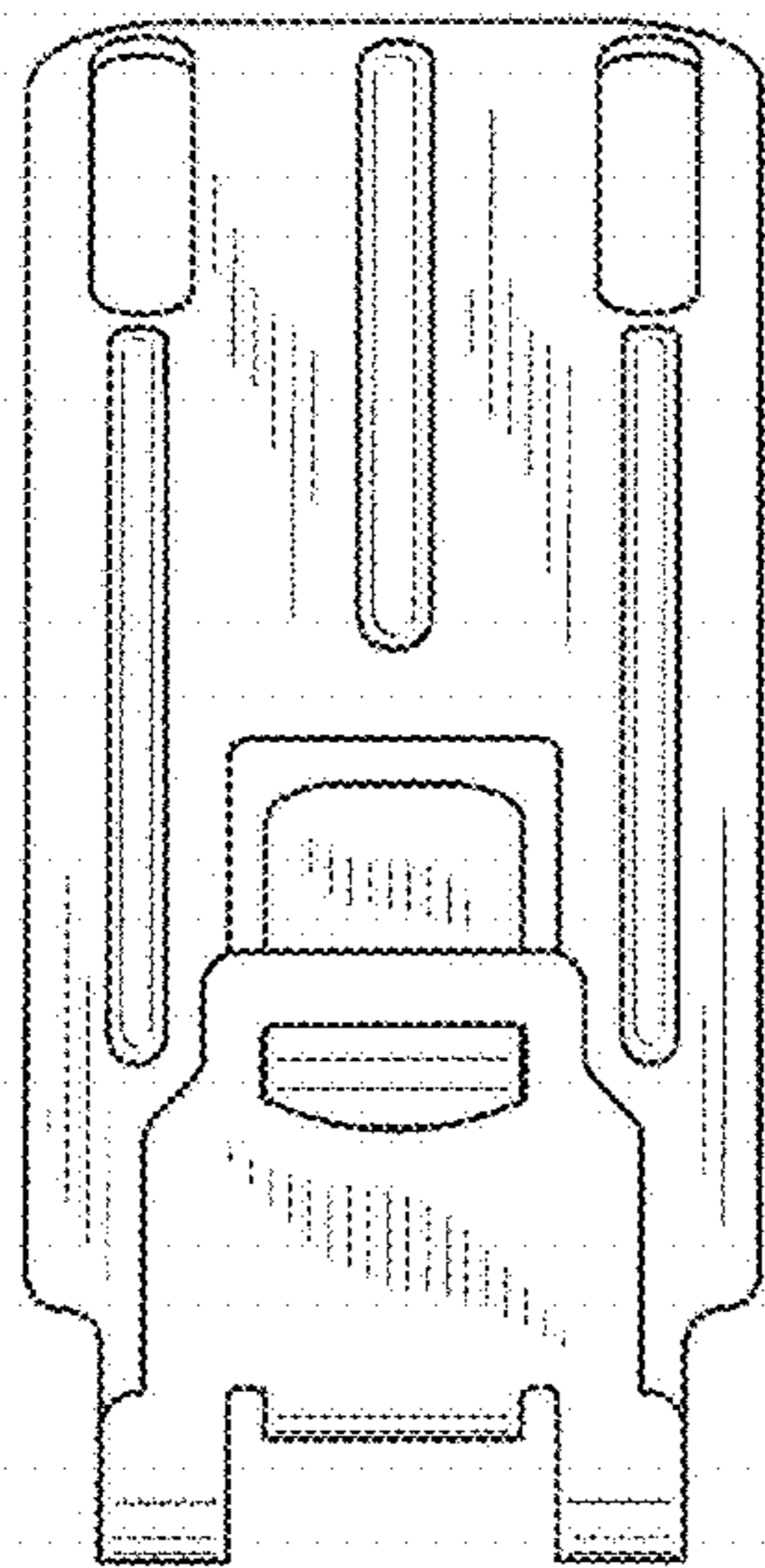


FIG. 2

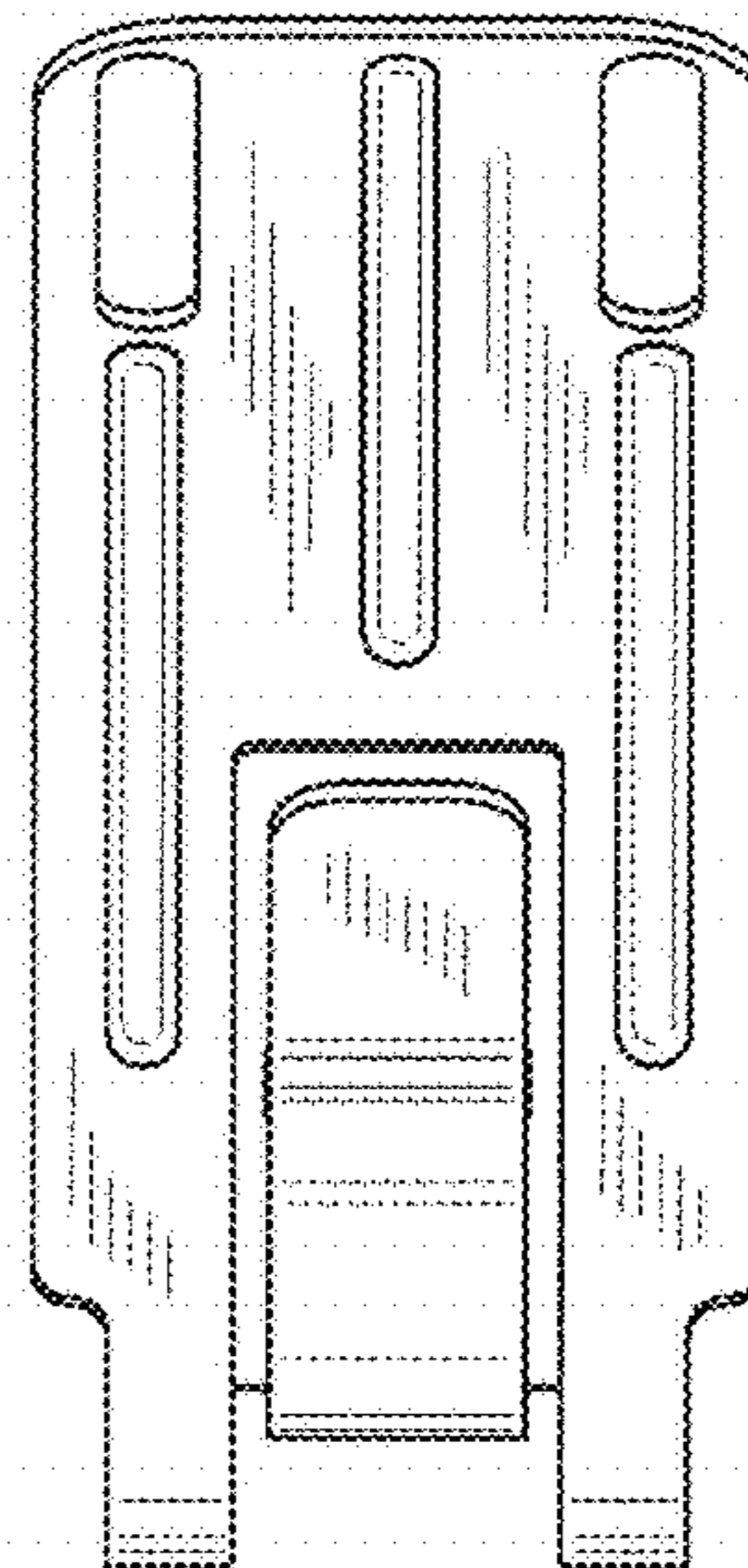


FIG. 3

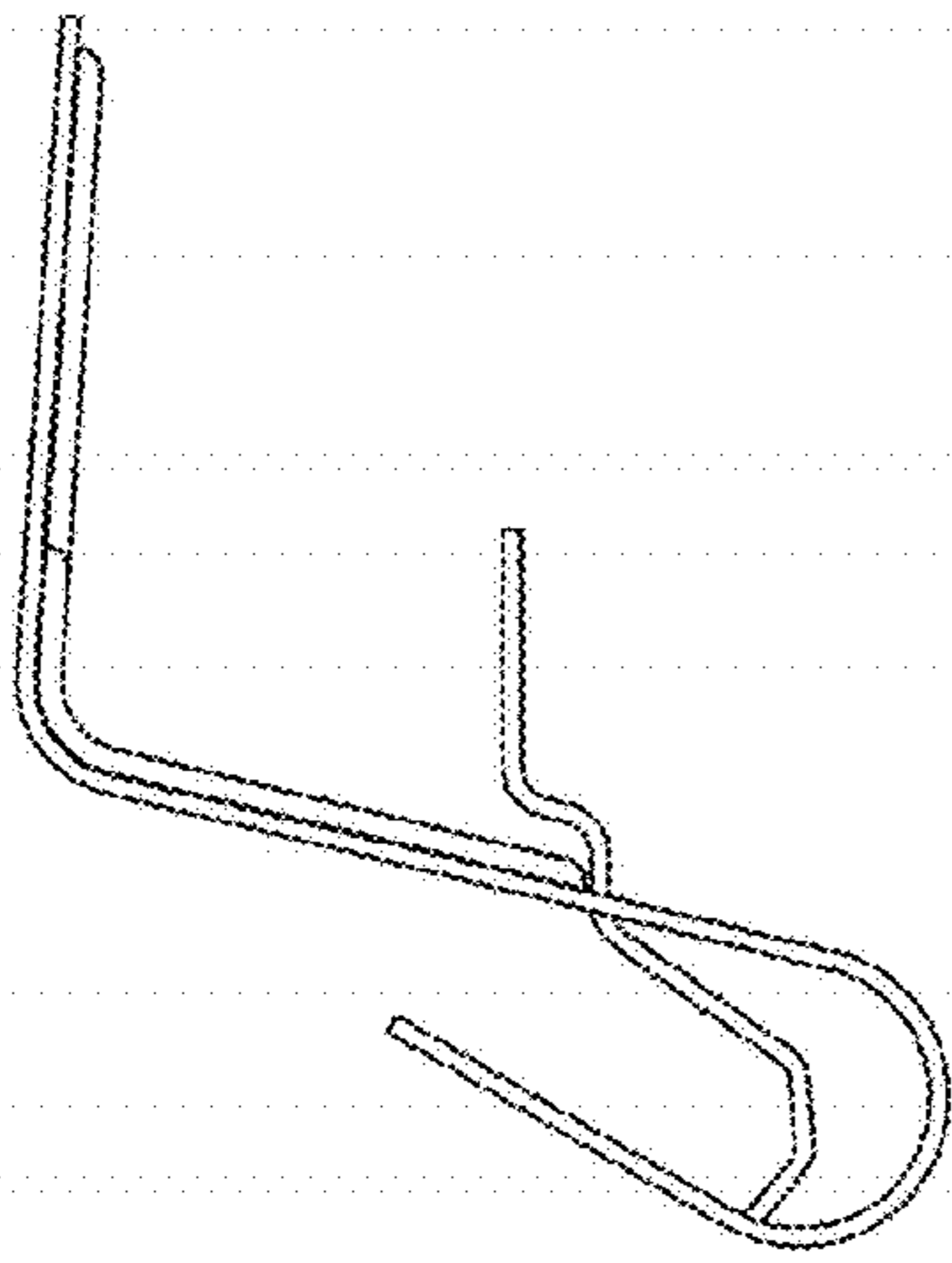


FIG. 4

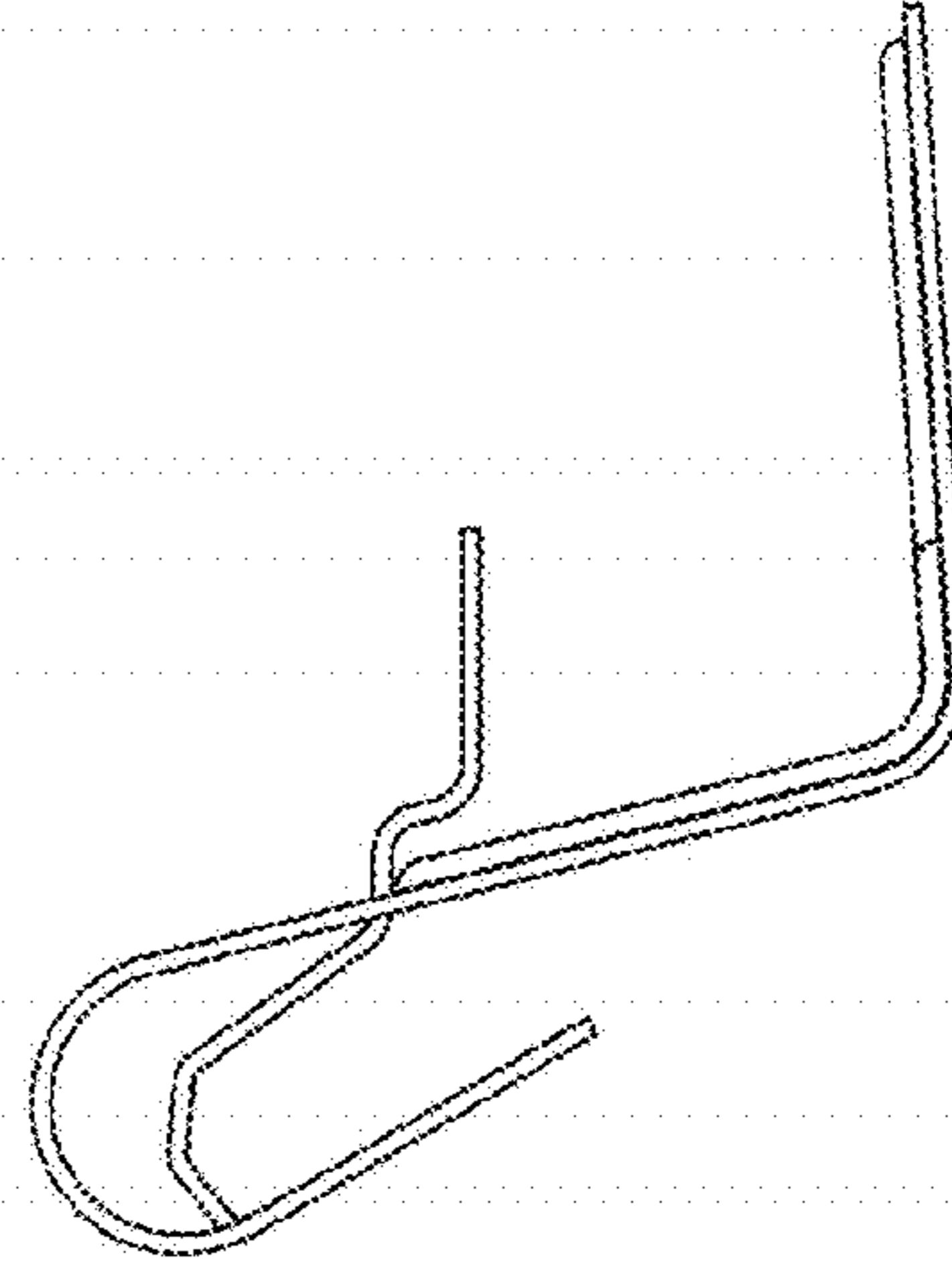


FIG. 5

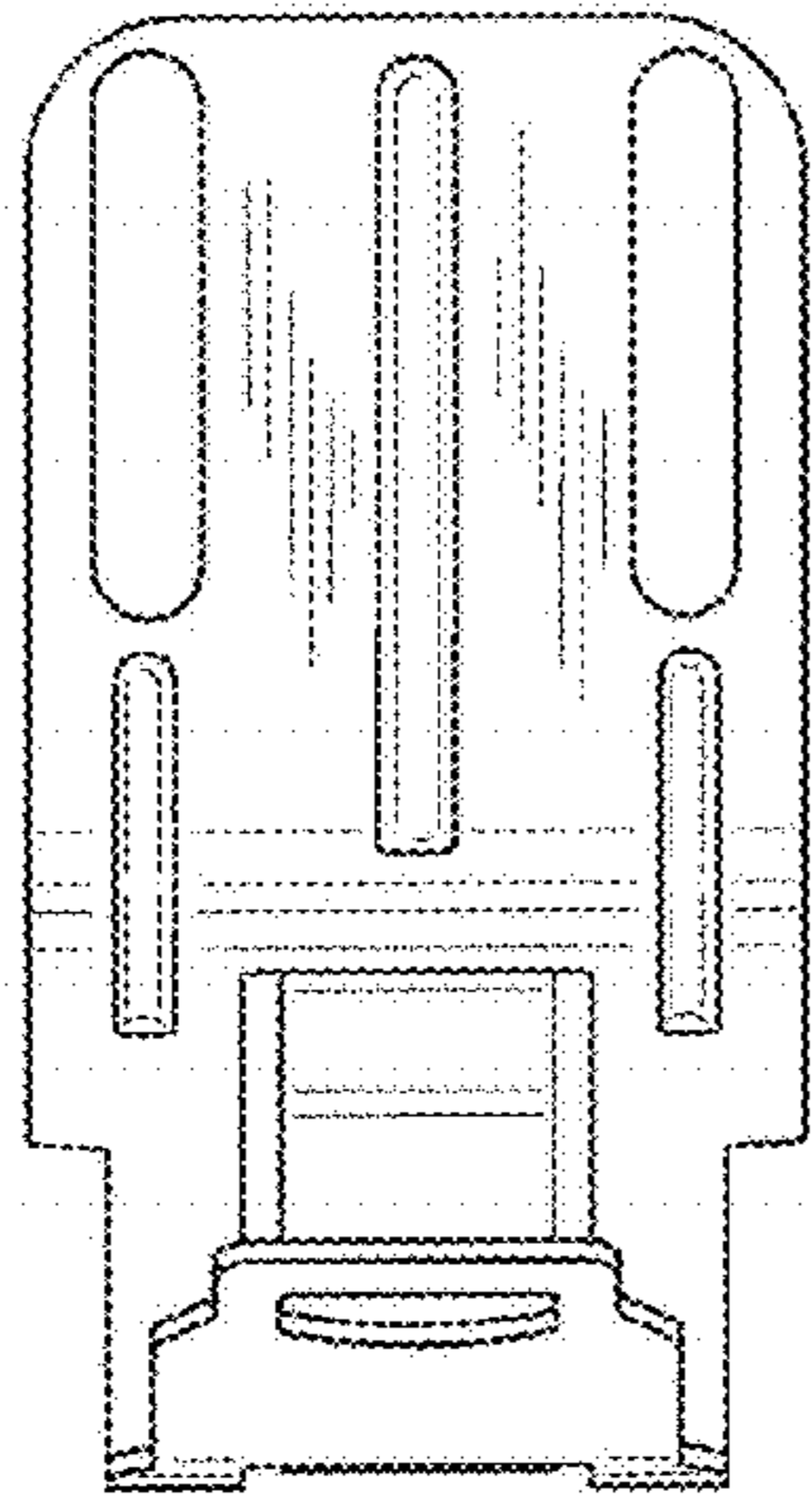


FIG. 6

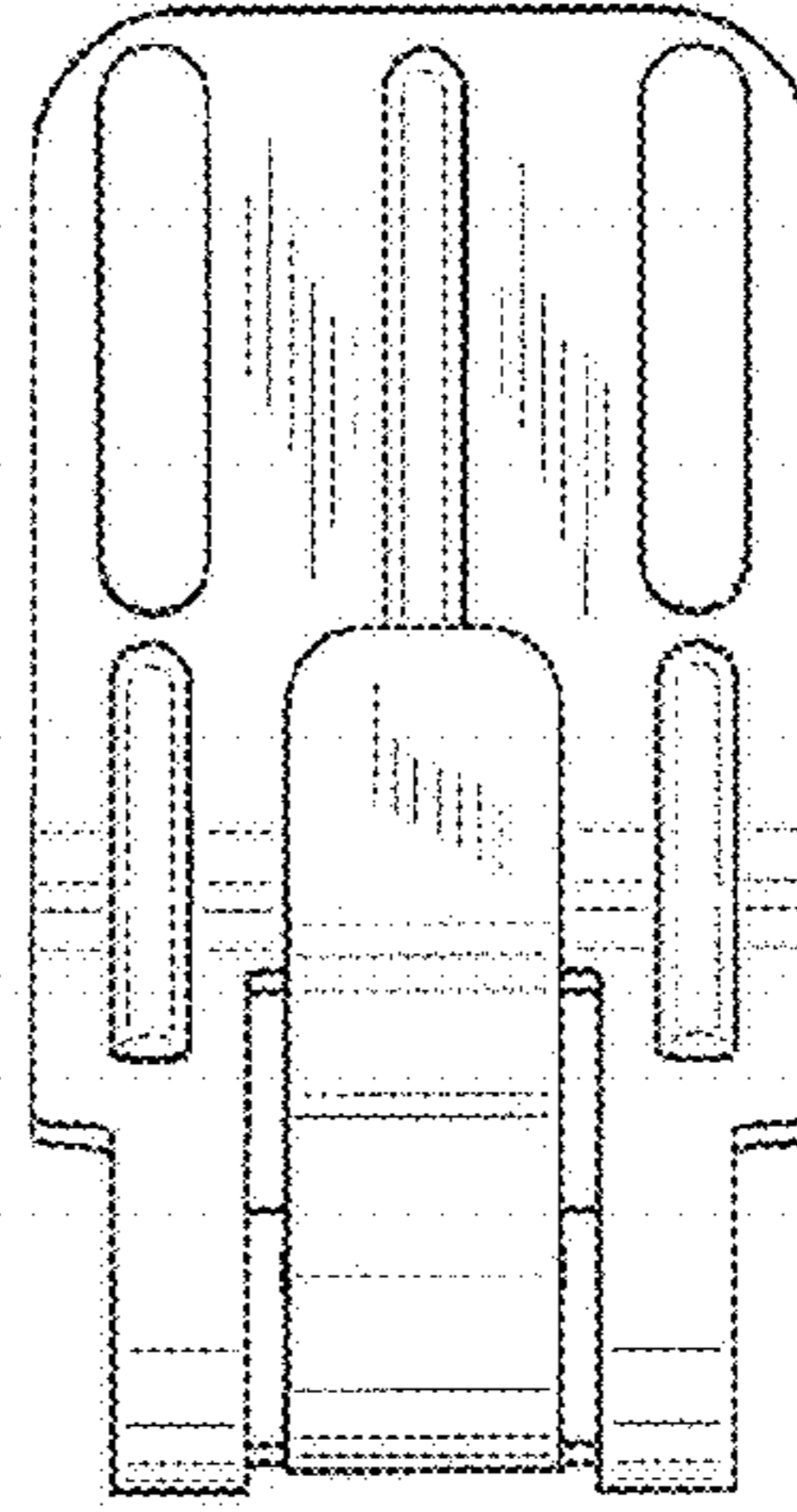


FIG. 7