



US00D722930S

(12) **United States Design Patent**  
**George et al.**

(10) **Patent No.:** **US D722,930 S**  
(45) **Date of Patent:** **\*\* Feb. 24, 2015**

(54) **VEHICLE FENDER**

(71) Applicant: **Ford Motor Company**, Dearborn, MI (US)  
(72) Inventors: **Kevin George**, Canton, MI (US);  
**George Bucher**, Dearborn, MI (US);  
**Steven Gilmore**, Redford, MI (US);  
**Shawn Wehrly**, Royal Oak, MI (US)  
(73) Assignee: **Ford Motor Company**, Dearborn, MI (US)  
(\*\*) Term: **14 Years**  
(21) Appl. No.: **29/476,017**  
(22) Filed: **Dec. 10, 2013**  
(51) **LOC (10) Cl.** ..... **12-16**  
(52) **U.S. Cl.**  
USPC ..... **D12/184**  
(58) **Field of Classification Search**  
USPC ..... D12/184, 196, 90-92, 181; 280/152.1,  
280/847-849, 851; 296/181.1, 181.5  
See application file for complete search history.

(56) **References Cited**

U.S. PATENT DOCUMENTS

D615,013 S *	5/2010	Lamm et al. ....	D12/181
D669,405 S *	10/2012	Gifford .....	D12/184
D679,642 S *	4/2013	Schmeckpeper .....	D12/184
D686,125 S *	7/2013	McCabe et al. ....	D12/184
D686,552 S *	7/2013	Weil .....	D12/184
D707,600 S *	6/2014	Johnson .....	D12/184
D711,299 S *	8/2014	Laviolette .....	D12/184
D711,300 S *	8/2014	Laviolette .....	D12/184

\* cited by examiner

*Primary Examiner* — Melody Brown

(74) *Attorney, Agent, or Firm* — Damian Porcari

(57) **CLAIM**

The ornamental design for a vehicle fender, as shown and described.

**DESCRIPTION**

FIG. 1 is a perspective view of a left vehicle fender showing our new design, the right fender being a mirror image and not shown;  
FIG. 2 is another perspective view thereof;  
FIG. 3 is a front elevational view thereof;  
FIG. 4 is a rear elevational view thereof;  
FIG. 5 is a left side elevational view thereof;  
FIG. 6 is a right side elevational view thereof;  
FIG. 7 is a top plan view thereof; and,  
FIG. 8 is a bottom plan view thereof.

**1 Claim, 8 Drawing Sheets**



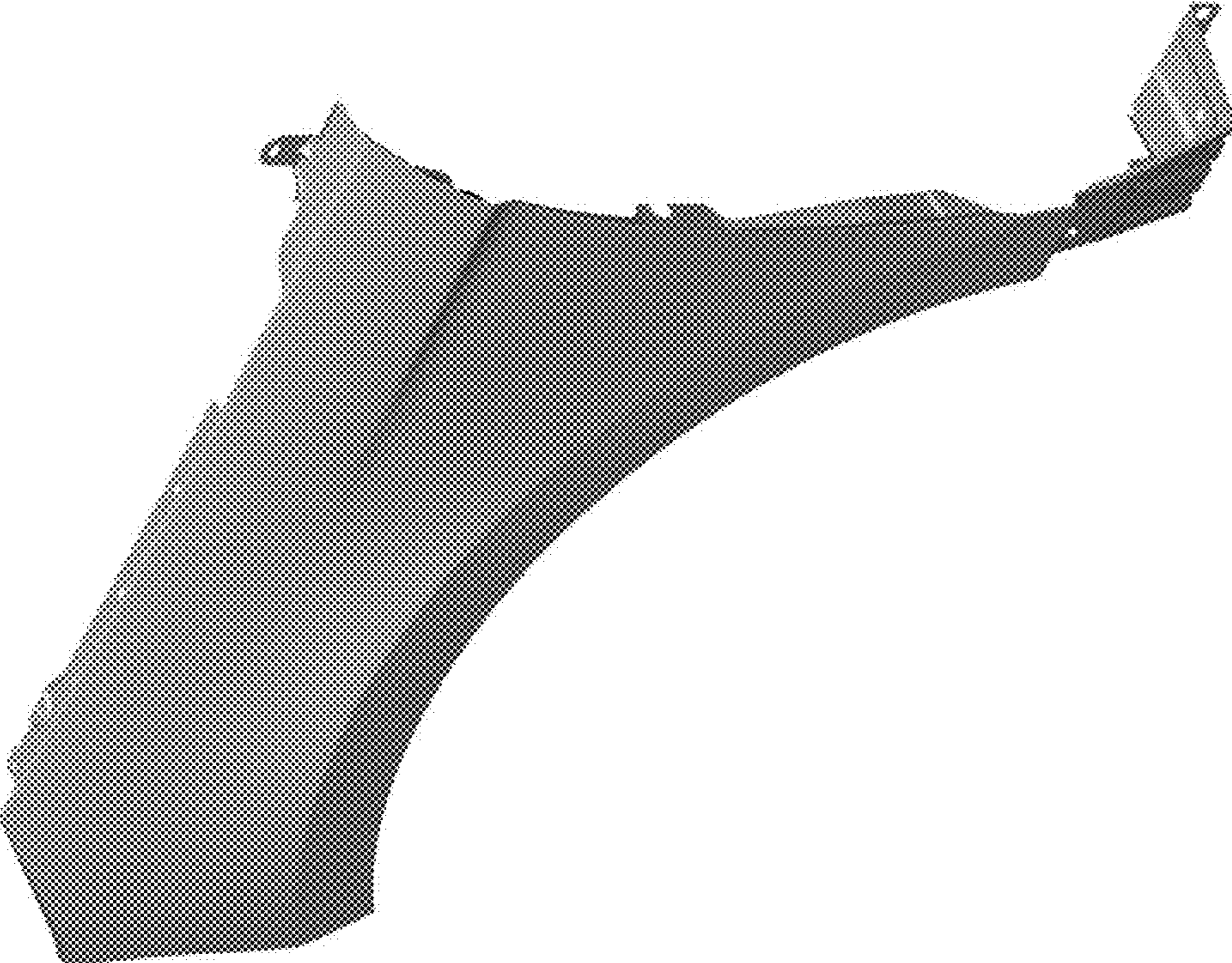


Figure 1

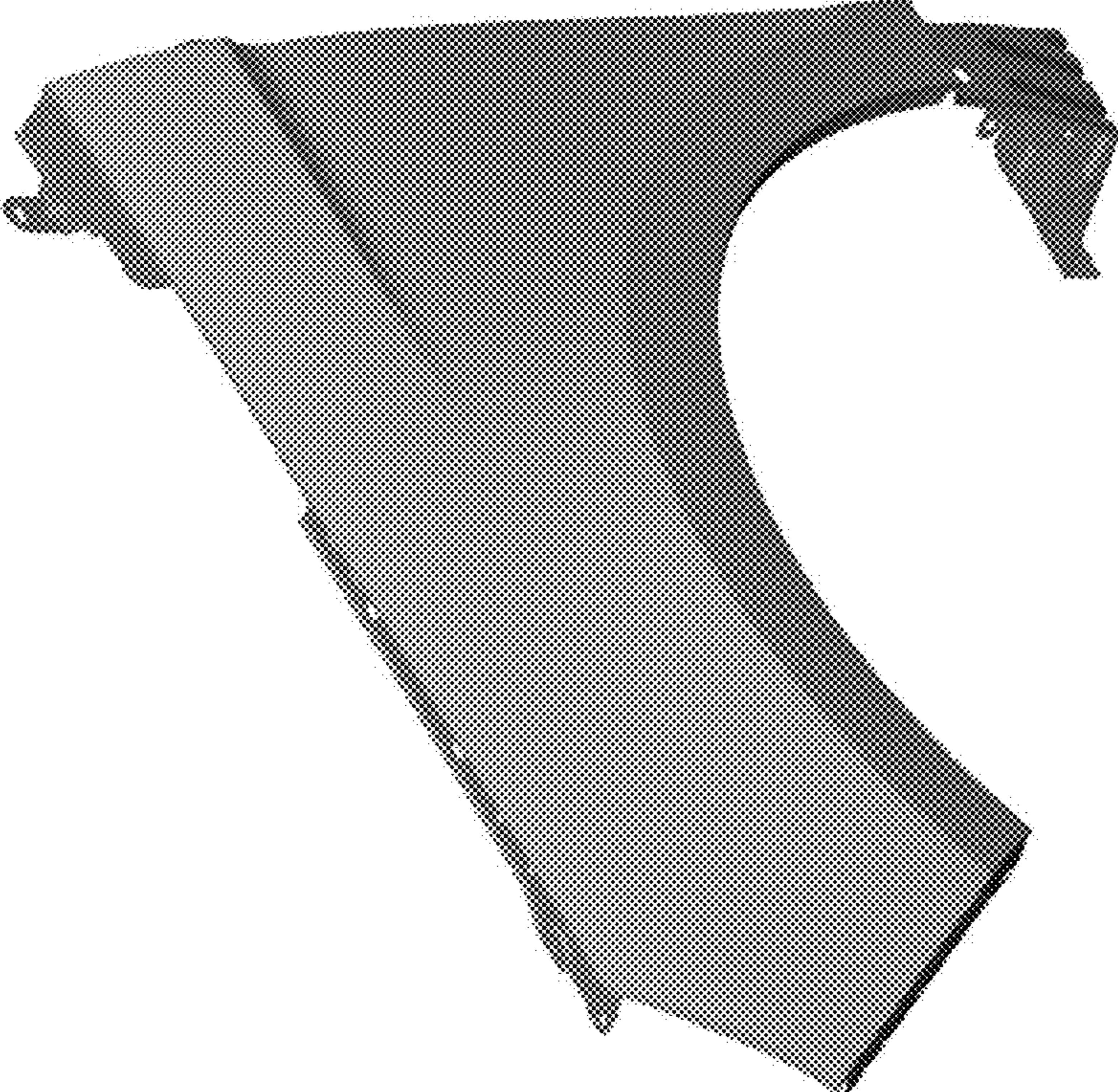


Figure 2



Figure 3

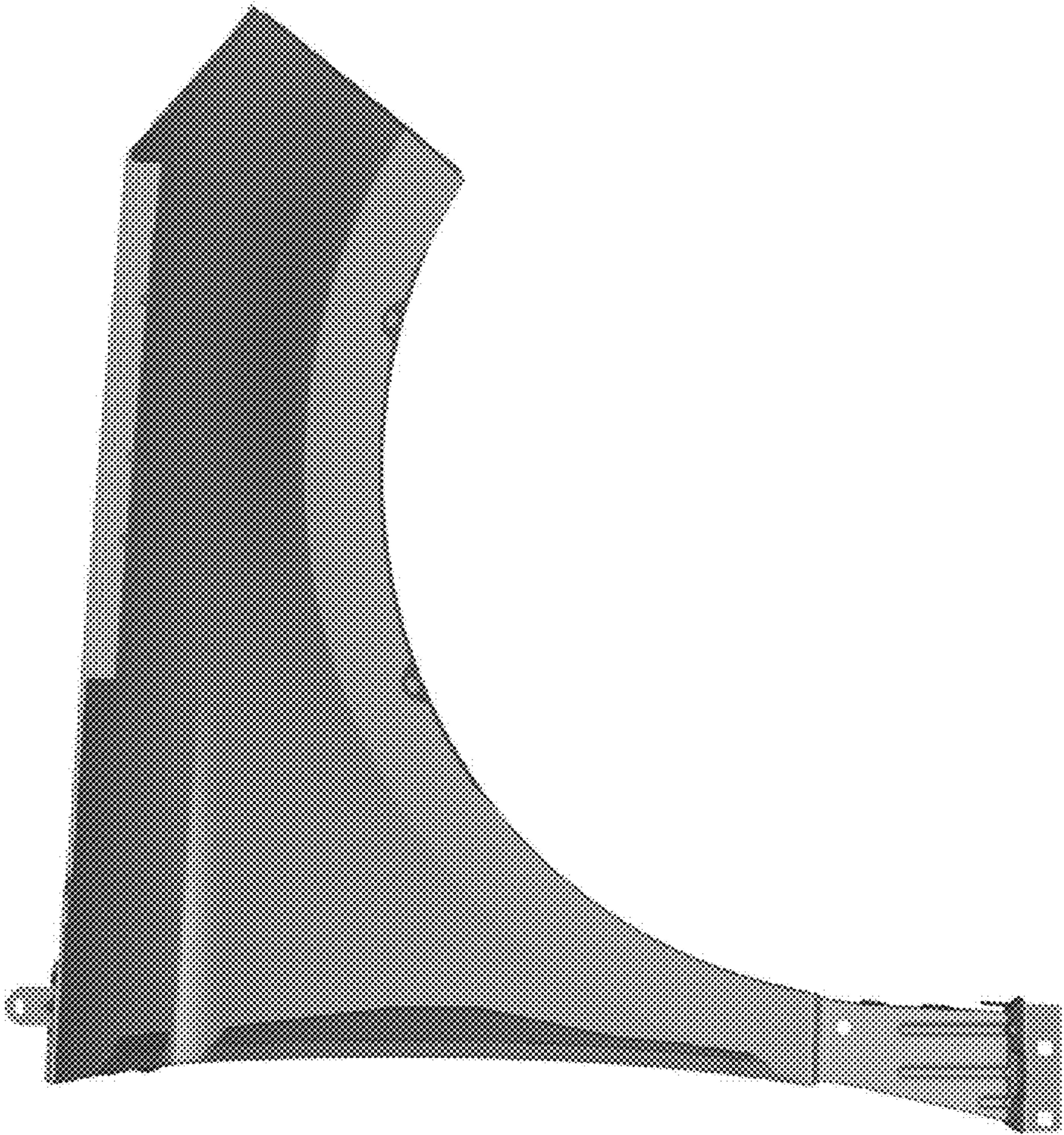


Figure 4



Figure 5

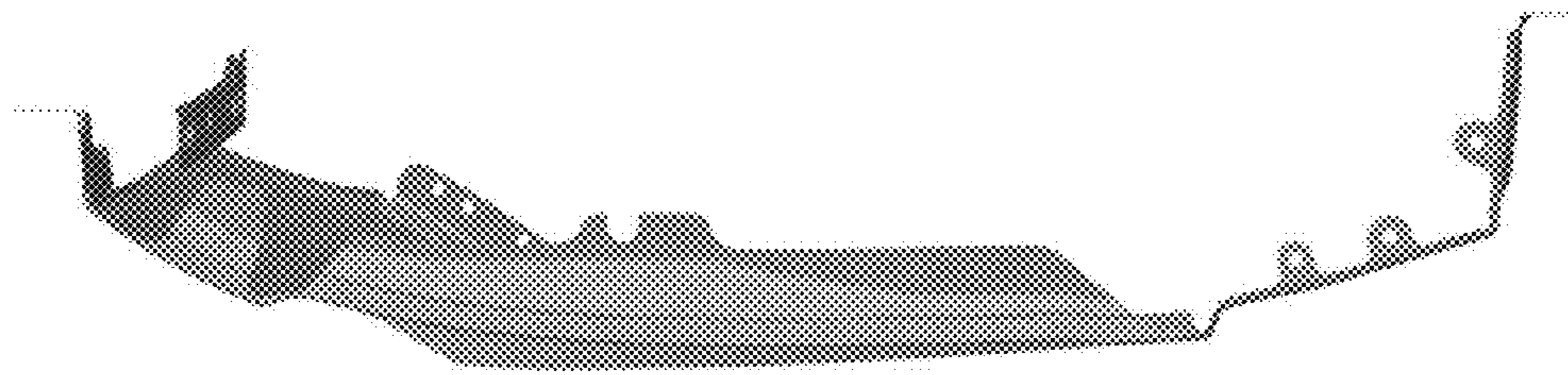


Figure 6

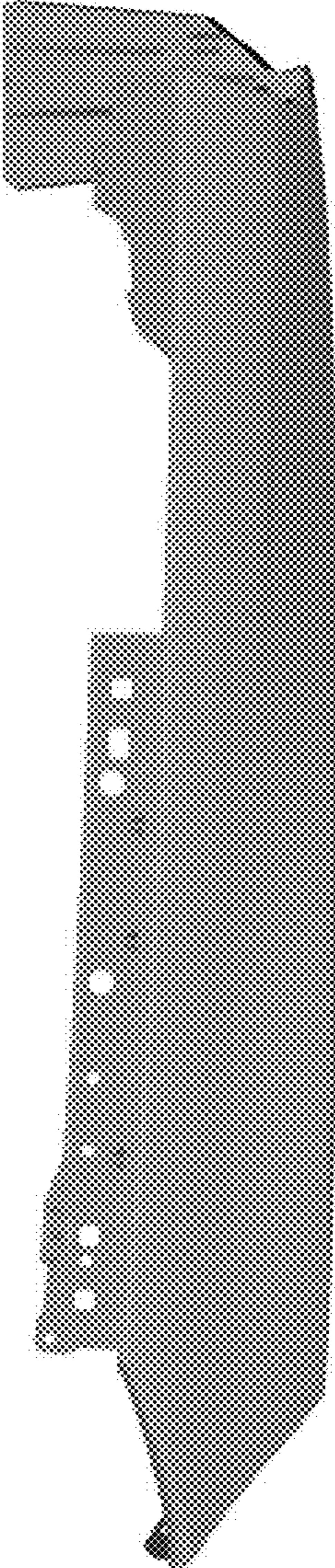


Figure 7



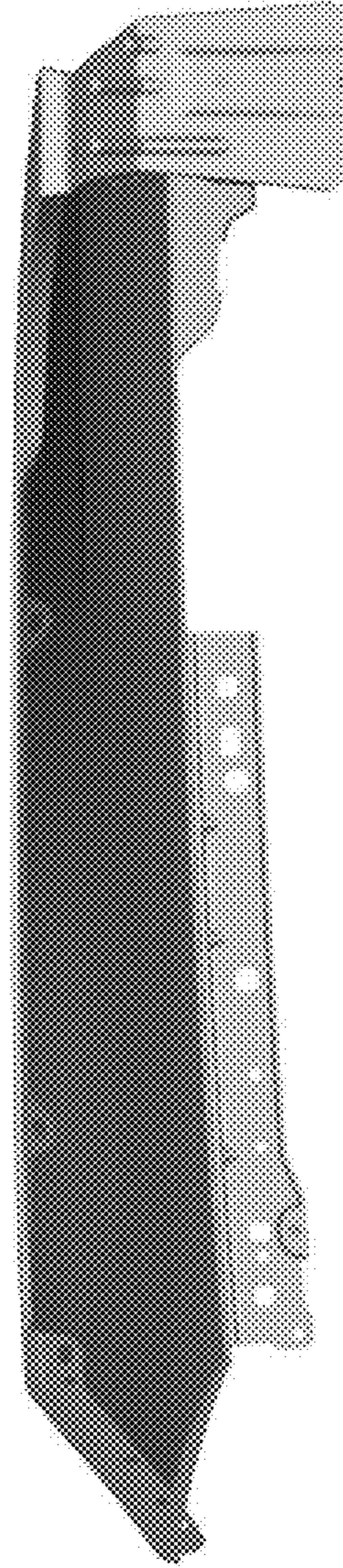


Figure 8