



US00D722929S

(12) **United States Design Patent**
Hatter

(10) **Patent No.:** **US D722,929 S**

(45) **Date of Patent:** **** Feb. 24, 2015**

(54) **SPOILER FOR MOTOR VEHICLE**

(56) **References Cited**

(71) Applicant: **Dr. Ing. h.c. F. Porsche**
Aktiengesellschaft, Stuttgart (DE)

(72) Inventor: **Anthony-Robert Hatter, Weissach (DE)**

(73) Assignee: **Dr. Ing. h.c. F. Porsche**
Aktiengesellschaft, Stuttgart (DE)

(**) Term: **14 Years**

(21) Appl. No.: **29/496,355**

(22) Filed: **Jul. 11, 2014**

U.S. PATENT DOCUMENTS

| | | | |
|--------------|---------|----------------------|---------|
| D271,191 S | 11/1983 | Amprim | |
| D585,799 S * | 2/2009 | Kim | D12/181 |
| D586,711 S * | 2/2009 | Sato | D12/181 |
| D599,264 S * | 9/2009 | Akasawa et al. | D12/181 |
| D603,315 S | 11/2009 | Gamou | |
| D605,993 S * | 12/2009 | Furuhata et al. | D12/181 |
| D606,918 S | 12/2009 | Larson | |
| D609,617 S | 2/2010 | Larson | |
| D614,098 S | 4/2010 | Larson | |
| D625,232 S * | 10/2010 | Borkert | D12/181 |
| D638,337 S | 5/2011 | Francisco | |
| D656,439 S | 3/2012 | Saracoglu | |
| D659,615 S * | 5/2012 | Varga | D12/181 |
| D667,763 S | 9/2012 | Varga | |
| D669,005 S * | 10/2012 | Varga | D12/181 |
| D683,677 S | 6/2013 | Varga | |
| D699,646 S | 2/2014 | Saracoglu | |

* cited by examiner

Related U.S. Application Data

(63) Continuation of application No. 29/437,568, filed on Nov. 19, 2012.

Primary Examiner — Katrina A Betton
(74) *Attorney, Agent, or Firm* — RatnerPrestia

(30) **Foreign Application Priority Data**

May 22, 2012 (DE) 402012100393

(51) **LOC (10) Cl.** **12-08**

(52) **U.S. Cl.**
USPC **D12/181**

(58) **Field of Classification Search**
USPC D12/181, 191, 196, 400, 190, 88;
280/727, 770, 848; 296/180.01–180.5,
296/91; 180/903

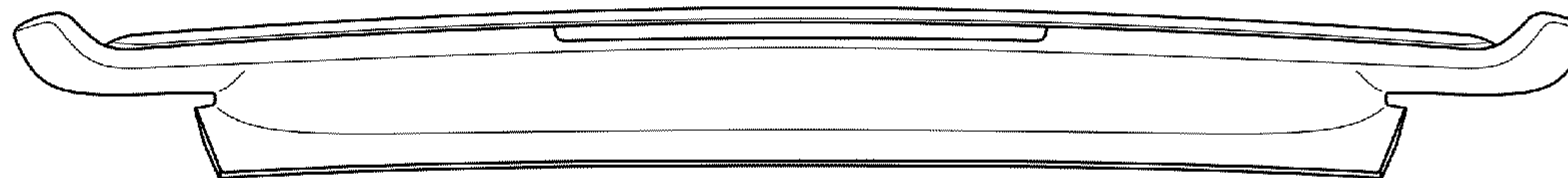
See application file for complete search history.

(57) **CLAIM**
The ornamental design for a spoiler for a motor vehicle, as shown and described.

DESCRIPTION

FIG. 1 is a perspective view of a spoiler for a motor vehicle; FIG. 2 is a front elevation view thereof; FIG. 3 is a rear elevation view thereof; FIG. 4 is an elevation view thereof from the left side; FIG. 5 is an elevation view thereof from the right side; FIG. 6 is a top plan view thereof; and, FIG. 7 is a bottom plan view thereof. In the drawings, the broken lines in FIGS. 2 and 7 depict portions of the article that form no part of the claimed design.

1 Claim, 4 Drawing Sheets



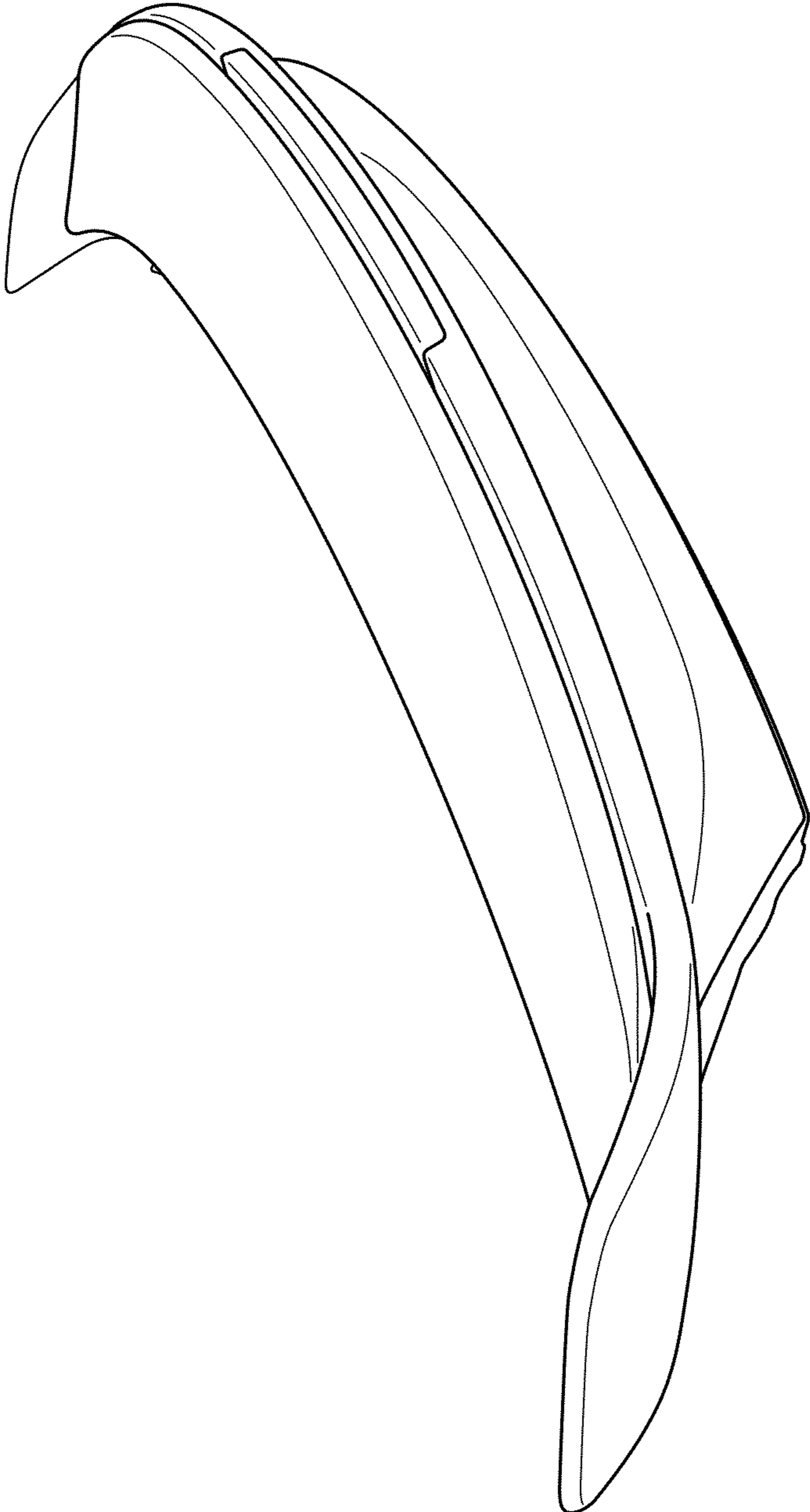


FIG. 1

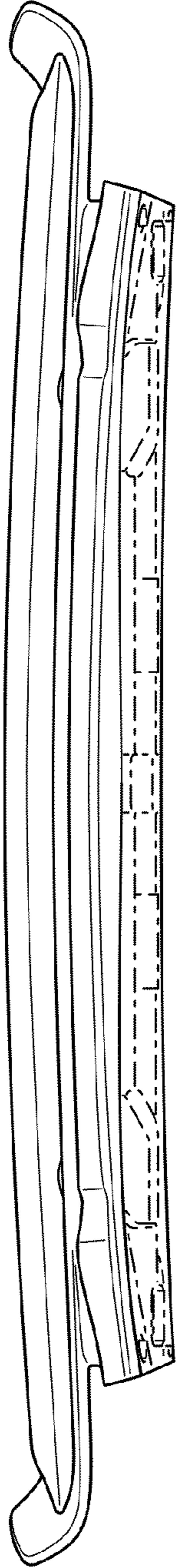


FIG. 2

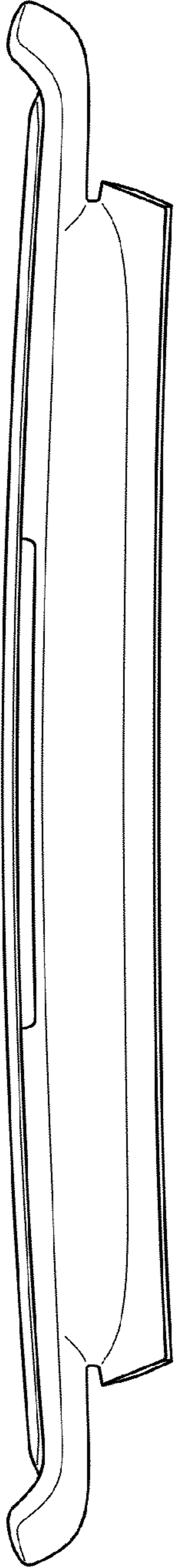


FIG. 3



FIG. 4



FIG. 5

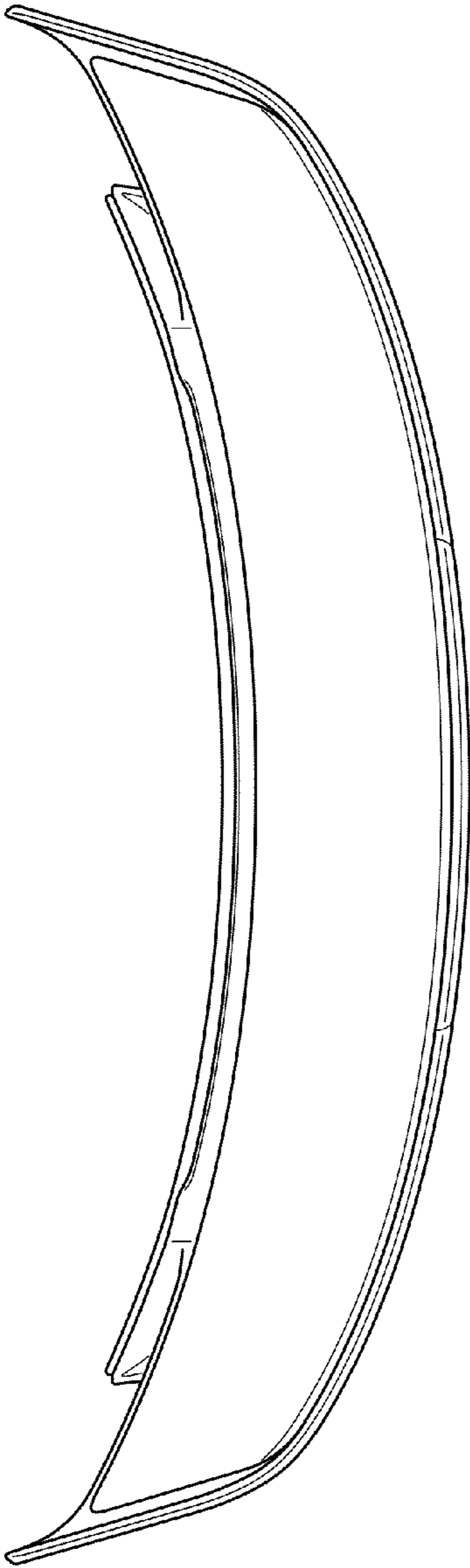


FIG. 6

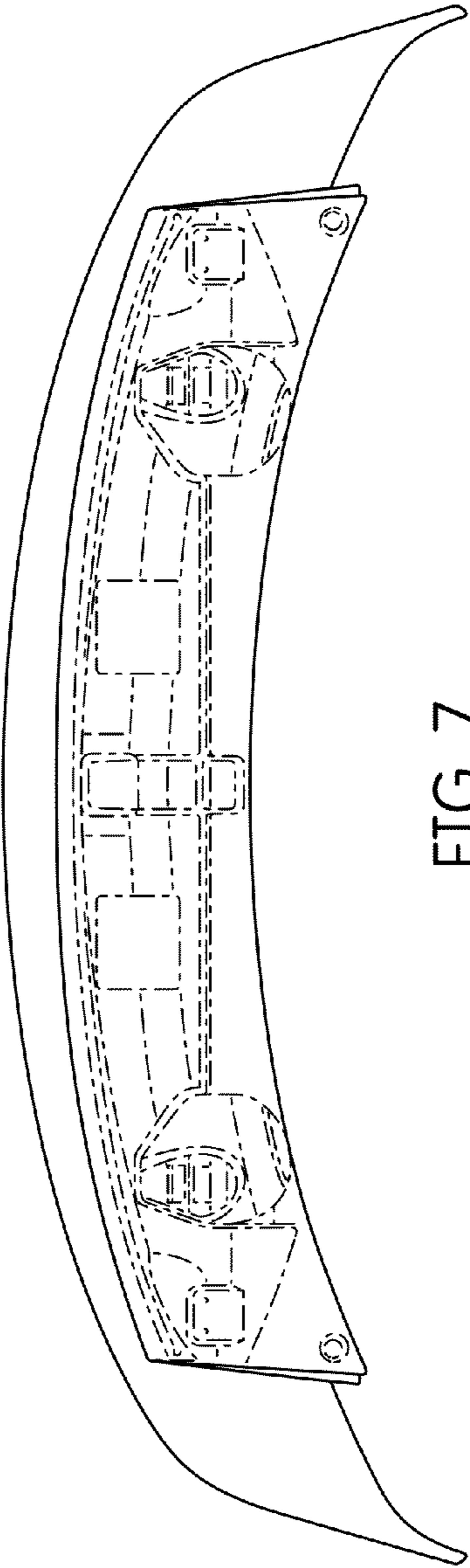


FIG. 7