



US00D722927S

(12) **United States Design Patent**
Schroeder et al.

(10) **Patent No.:** **US D722,927 S**
(45) **Date of Patent:** **** Feb. 24, 2015**

- (54) **FASCIA FOR AN ALL-TERRAIN VEHICLE**
- (71) Applicants: **Anthony Schroeder**, Huntington Beach, CA (US); **Eric Chin**, Irvine, CA (US); **Erik Dunshee**, Torrance, CA (US); **Shinji Nagano**, Tokyo (JP)
- (72) Inventors: **Anthony Schroeder**, Huntington Beach, CA (US); **Eric Chin**, Irvine, CA (US); **Erik Dunshee**, Torrance, CA (US); **Shinji Nagano**, Tokyo (JP)

6,685,244	B2	2/2004	McCoy et al.
D512,666	S	12/2005	Chiang
D513,718	S	1/2006	Itaya et al.
D527,696	S	9/2006	Ichikawa et al.
D532,348	S	11/2006	Kudo et al.
D557,642	S	12/2007	Miwa et al.
D577,640	S	9/2008	Wyszogrod et al.
D580,322	S	11/2008	Schroeder et al.
D592,574	S	5/2009	Larson
D599,250	S *	9/2009	Hirano D12/107
D606,913	S	12/2009	Robertson
D609,615	S	2/2010	Krugger et al.
D617,700	S *	6/2010	Nishio D12/169
D637,533	S *	5/2011	Miyazawa et al. D12/169

(73) Assignee: **Honda Motor Co., Ltd.**, Tokyo (JP)

(**) Term: **14 Years**

(21) Appl. No.: **29/490,711**

(22) Filed: **May 13, 2014**

(51) **LOC (10) Cl.** **12-16**

(52) **U.S. Cl.**
USPC **D12/171**

(58) **Field of Classification Search**
CPC B60R 19/52; B60R 2019/522
USPC D12/90–92, 98, 163, 169, 171;
180/86.1, 86.2; 296/95.1, 97.7, 183.1,
296/187.03, 187.09, 187.1, 193.1; 293/102,
293/112, 115, 117, 120, 142–149; 280/163,
280/164

See application file for complete search history.

(56) **References Cited**

U.S. PATENT DOCUMENTS

5,215,343	A	6/1993	Fortune
D388,042	S	12/1997	Thorne et al.
D405,408	S	2/1999	Yoshida et al.
D410,879	S *	6/1999	Orth, Sr. D12/171
D419,936	S	2/2000	Sacco et al.
D420,962	S	2/2000	Chevalier
D425,462	S *	5/2000	Ujiie D12/171
D437,270	S	2/2001	Yokomaku
D472,854	S	4/2003	Weber et al.
6,612,595	B1 *	9/2003	Storer 280/163
D485,219	S	1/2004	Hamm et al.

(Continued)

OTHER PUBLICATIONS

“Polaris—2013 Off-Road Vehicles.” Polaris Brochure., Jul. 30, 2012 [online], [retrieved on Sep. 1, 2014]. Retrieved from the Internet <URL: <http://cdn.polarisindustries.com/polaris/orv/2013/img/shopping-tools/2013-brochure.pdf>>.*

(Continued)

Primary Examiner — Philip S Hyder

Assistant Examiner — Darlington Ly

(74) *Attorney, Agent, or Firm* — Pearne & Gordon LLP

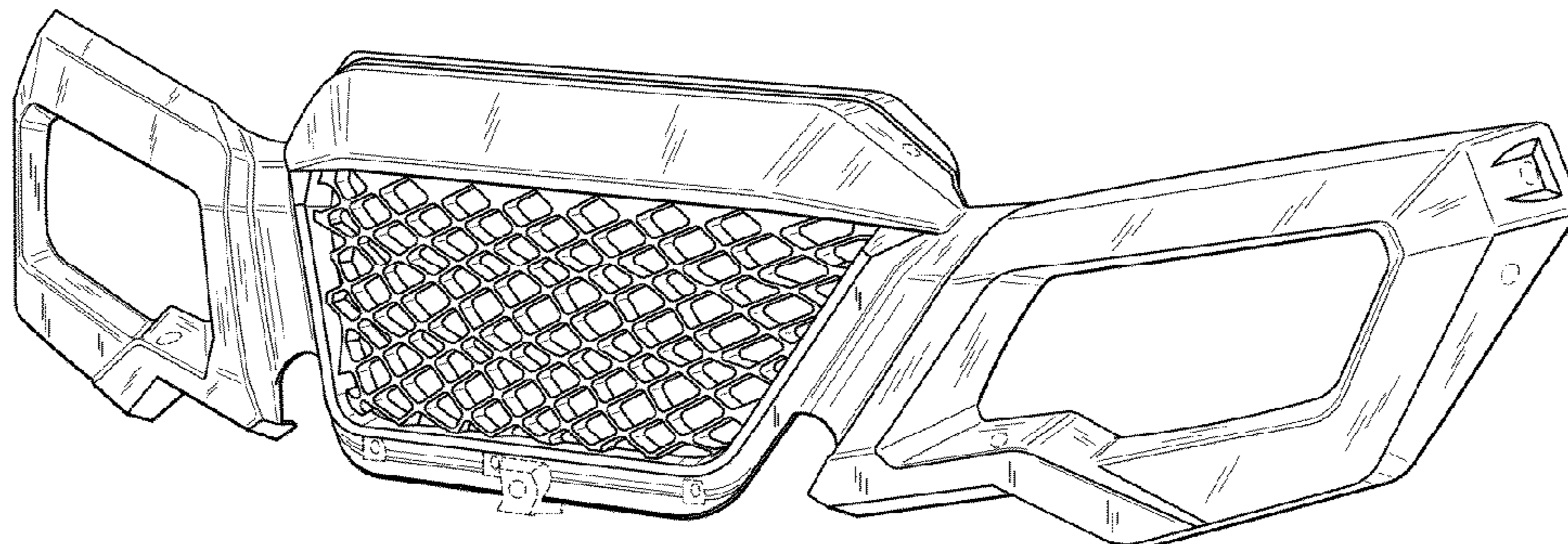
(57) **CLAIM**

The ornamental design for a fascia for an all-terrain vehicle, as shown and described.

DESCRIPTION

FIG. 1 is a perspective view of our new invention; FIG. 2 is a front view thereof; FIG. 3 is a top view thereof; FIG. 4 is a right view thereof, a left view being a mirror image thereof; FIG. 5 is a rear view thereof; and, FIG. 6 is a bottom view thereof. The broken lines shown in the drawings illustrate portions of the fascia for an all-terrain vehicle that forms no part of claimed design.

1 Claim, 3 Drawing Sheets



(56)

References Cited

U.S. PATENT DOCUMENTS

D637,539 S 5/2011 Welch et al.
 D641,669 S 7/2011 Vardis
 D641,672 S 7/2011 Willoughby et al.
 D641,674 S 7/2011 Kim et al.
 D642,099 S * 7/2011 Nagao et al. D12/171
 D643,350 S * 8/2011 Furst D12/169
 D643,781 S * 8/2011 Nagao et al. D12/107
 D669,403 S 10/2012 Gifford
 D669,504 S 10/2012 Higashikawa
 D679,227 S 4/2013 Schneckpeper
 D682,754 S * 5/2013 Robinson D12/169
 D691,074 S 10/2013 Dugardin
 D692,812 S 11/2013 Harriton
 D693,753 S 11/2013 Cheung et al.
 D694,159 S 11/2013 Jung
 8,678,482 B2 3/2014 O'Brien et al.
 D704,610 S 5/2014 Mizuhata et al.

D707,595 S 6/2014 Kavaja
 2006/0201727 A1 9/2006 Chan
 2013/0187395 A1 * 7/2013 Hanson et al. 293/115
 2014/0319306 A1 10/2014 Massicotte et al.

OTHER PUBLICATIONS

“Honda—ATV Range.” Honda Brochure., Aug. 12, 2014 [online], [retrieved on Sep. 1, 2014]. Retrieved from the Internet <URL: http://motorcycles.honda.com.au/brochures/Honda_ATV_Range.pdf>.*
 “Honda—ATV Range”—Honda Brochure—Aug. 12, 2014 [online]—Retrieved on Sep. 1, 2014—Retrieved from the INternet , URL: http://motorcycles.honda.com.au/brochures/Honda_ATV_Range.pdf>.
 “Polaris—2013 Off-Road Vehicles”—Polaris Brochure—Jul. 30, 2012 [online]—Retrieved on Sep. 1, 2014—Retrieved from the Internet < URL: <http://cdn.polarisindustries.com/polaris/orv/2013/img/shopping-tools/2013-brochure.pdf>>.

* cited by examiner

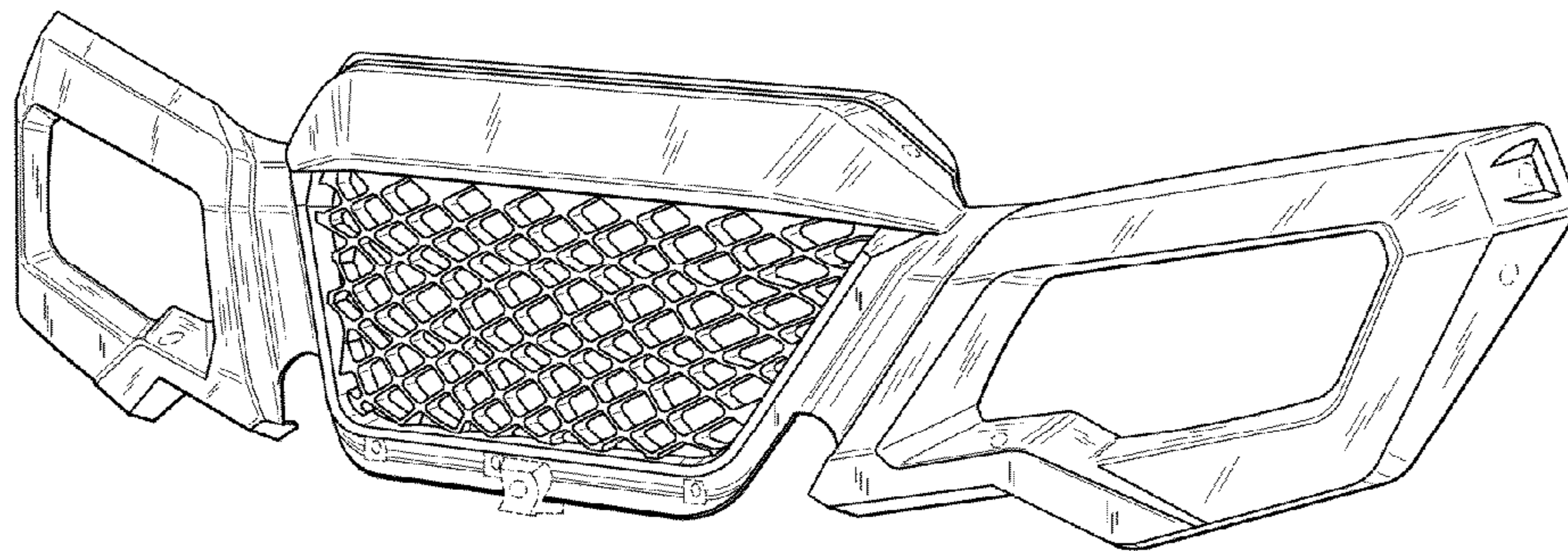


FIG. 1

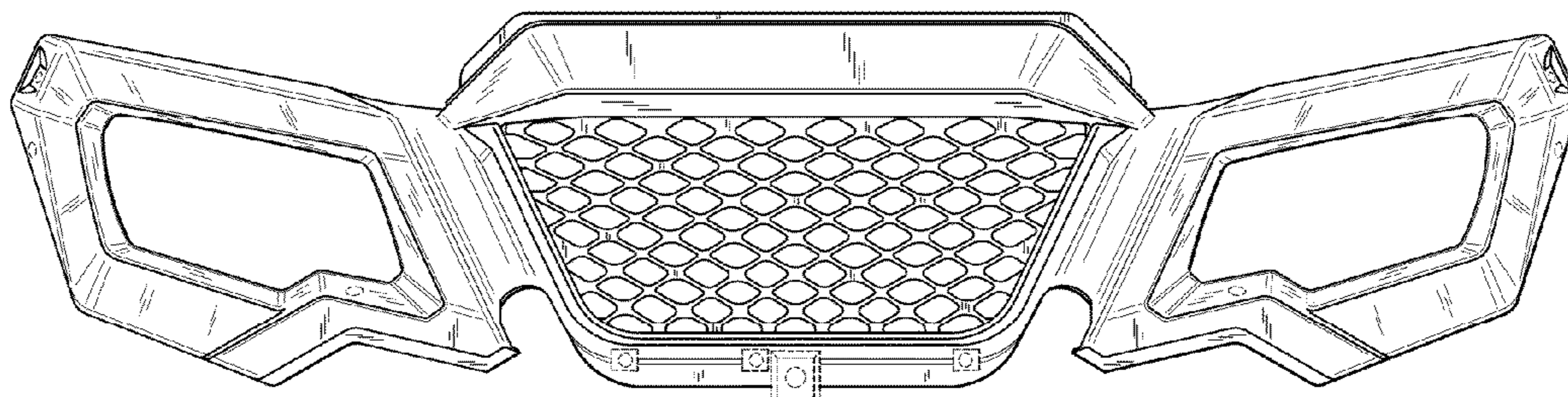


FIG. 2

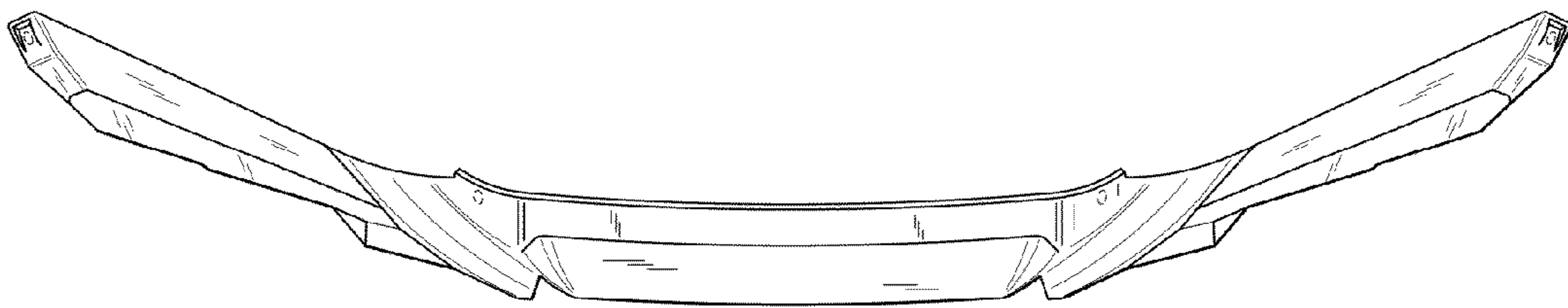


FIG. 3

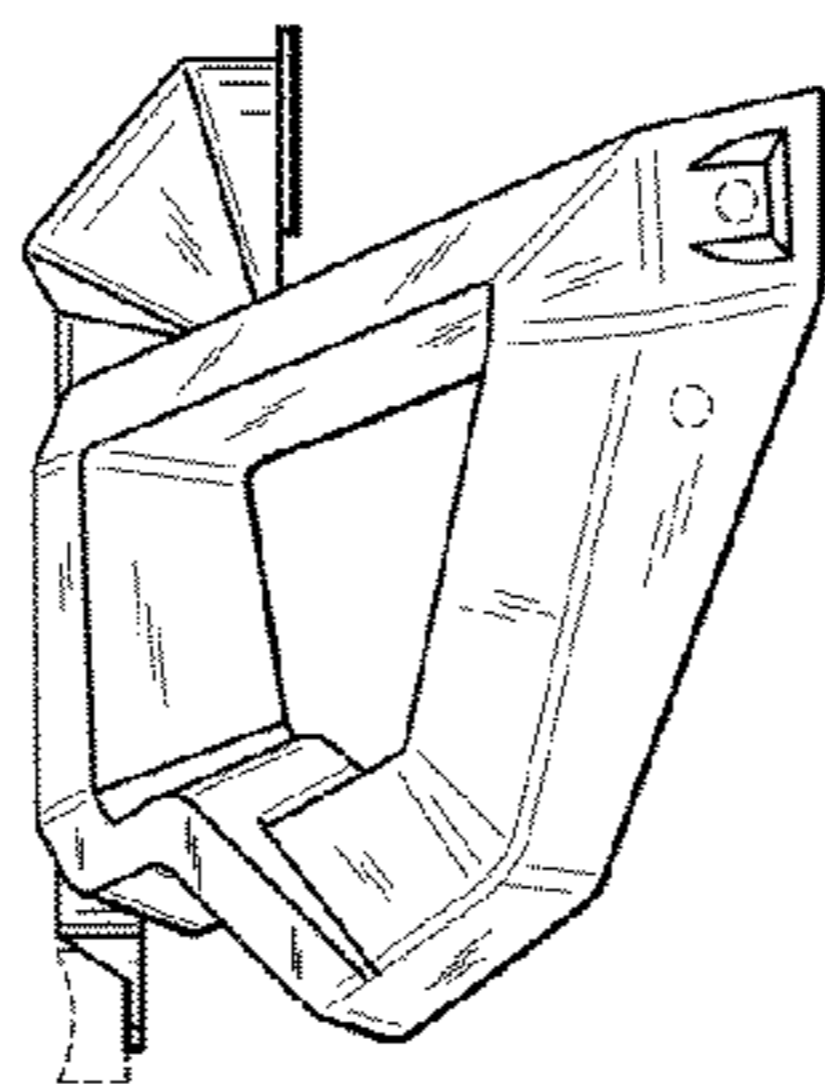


FIG. 4

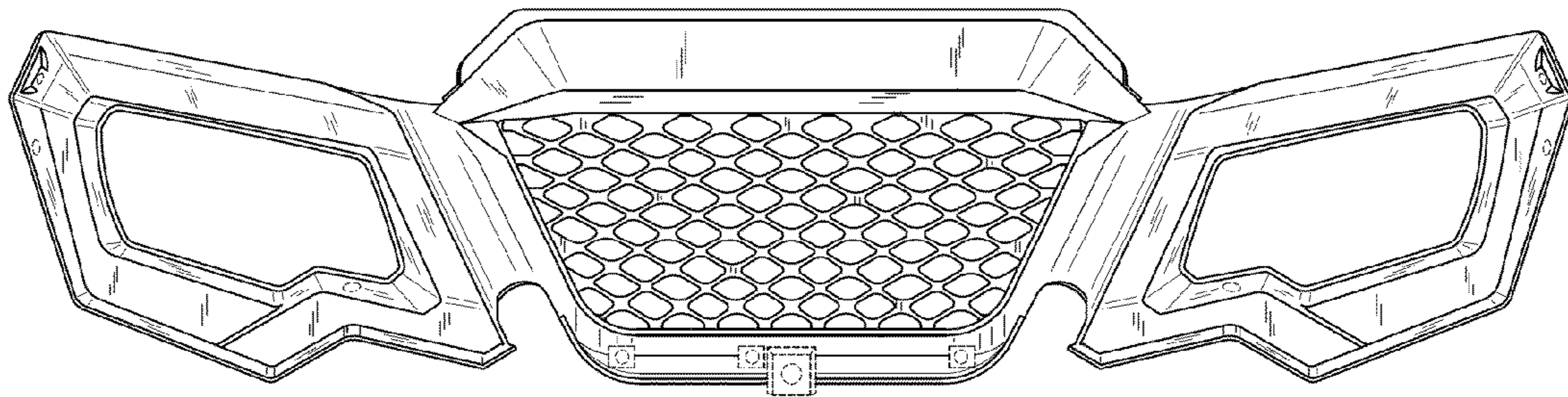


FIG. 5

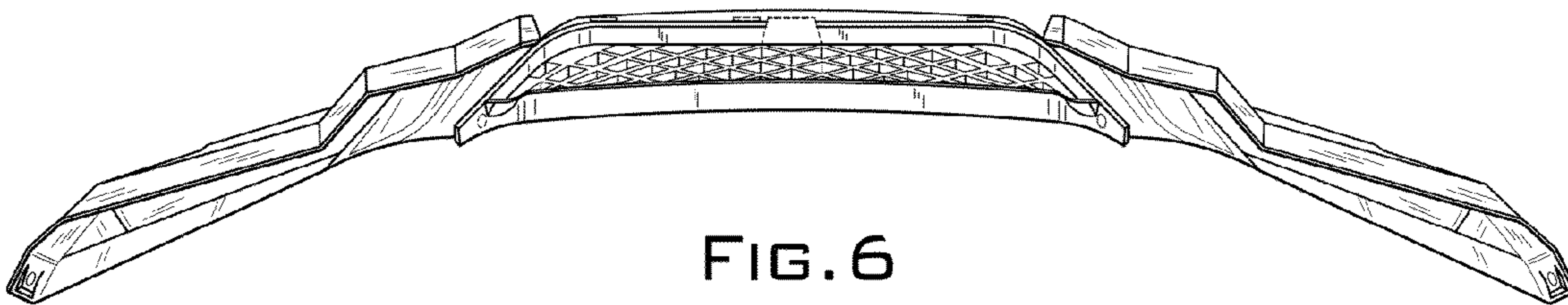


FIG. 6