



US00D722911S

(12) **United States Design Patent**  
**Nelson**

(10) **Patent No.:** **US D722,911 S**

(45) **Date of Patent:** **\*\* Feb. 24, 2015**

(54) **KEY CHAIN CHARM**

(71) Applicant: **Tammy R. Nelson**, Mason, OH (US)

(72) Inventor: **Tammy R. Nelson**, Mason, OH (US)

(73) Assignee: **Hoi Polloi, LLC**, Mason, OH (US)

(\*\*) Term: **14 Years**

(21) Appl. No.: **29/500,723**

(22) Filed: **Aug. 27, 2014**

(51) **LOC (10) Cl.** ..... **11-01**

(52) **U.S. Cl.**

USPC ..... **D11/81**; D11/60; D3/211; D8/348

(58) **Field of Classification Search**

USPC ..... D11/60, 61, 1, 2, 7, 40, 41, 44, 48,  
D11/79-86, 95, 96, 97, 88, 100, 108, 109,  
D11/116; 63/13, 14.1, 18-20, 23;  
D3/207-211; D8/347, 348; D32/46

See application file for complete search history.

(56) **References Cited**

**U.S. PATENT DOCUMENTS**

|              |         |                |       |         |
|--------------|---------|----------------|-------|---------|
| D65,390 S *  | 8/1924  | Swift          | ..... | D11/83  |
| D97,242 S *  | 10/1935 | Rubenstein     | ..... | D11/1   |
| D128,804 S * | 8/1941  | Silverman      | ..... | D11/204 |
| D129,546 S * | 9/1941  | Ragot          | ..... | D8/348  |
| D132,788 S * | 6/1942  | Wolfson        | ..... | D11/83  |
| D173,532 S * | 11/1954 | Ide            | ..... | D11/84  |
| D351,363 S * | 10/1994 | Foreman        | ..... | D11/81  |
| D391,470 S * | 3/1998  | Johnson et al. | ..... | D8/347  |
| D485,505 S * | 1/2004  | Cohen          | ..... | D11/60  |
| D533,440 S * | 12/2006 | Daugherty      | ..... | D8/347  |

|              |         |               |       |        |
|--------------|---------|---------------|-------|--------|
| D533,765 S * | 12/2006 | Daugherty     | ..... | D8/347 |
| D555,457 S * | 11/2007 | Leija         | ..... | D8/347 |
| D578,303 S * | 10/2008 | Shetler       | ..... | D3/211 |
| D601,404 S * | 10/2009 | Sinisi et al. | ..... | D8/347 |
| D601,405 S * | 10/2009 | Sinisi et al. | ..... | D8/347 |
| D601,406 S * | 10/2009 | Sinisi et al. | ..... | D8/347 |
| D601,407 S * | 10/2009 | Sinisi et al. | ..... | D8/347 |
| D601,408 S * | 10/2009 | Sinisi et al. | ..... | D8/347 |
| D602,761 S * | 10/2009 | Sinisi et al. | ..... | D8/347 |

**OTHER PUBLICATIONS**

[Online] "Key2bme" <http://www.hoipolloitrends.com/products.html>. Retrieved Oct. 14, 2014.\*

\* cited by examiner

*Primary Examiner* — Garth Rademaker

*Assistant Examiner* — Melanie Pellegrini

(74) *Attorney, Agent, or Firm* — Alan R. Stewart; Stewart IP Law

(57) **CLAIM**

The ornamental design for a key chain charm, as shown and described.

**DESCRIPTION**

FIG. 1 is a front view of a key chain charm according to the present disclosure.

FIG. 2 is a back view of a key chain charm of FIG. 1.

FIG. 3 is a perspective view of the key chain charm of FIG. 1; and,

FIG. 4 is a bottom view of the key chain charm of FIG. 1.

**1 Claim, 1 Drawing Sheet**



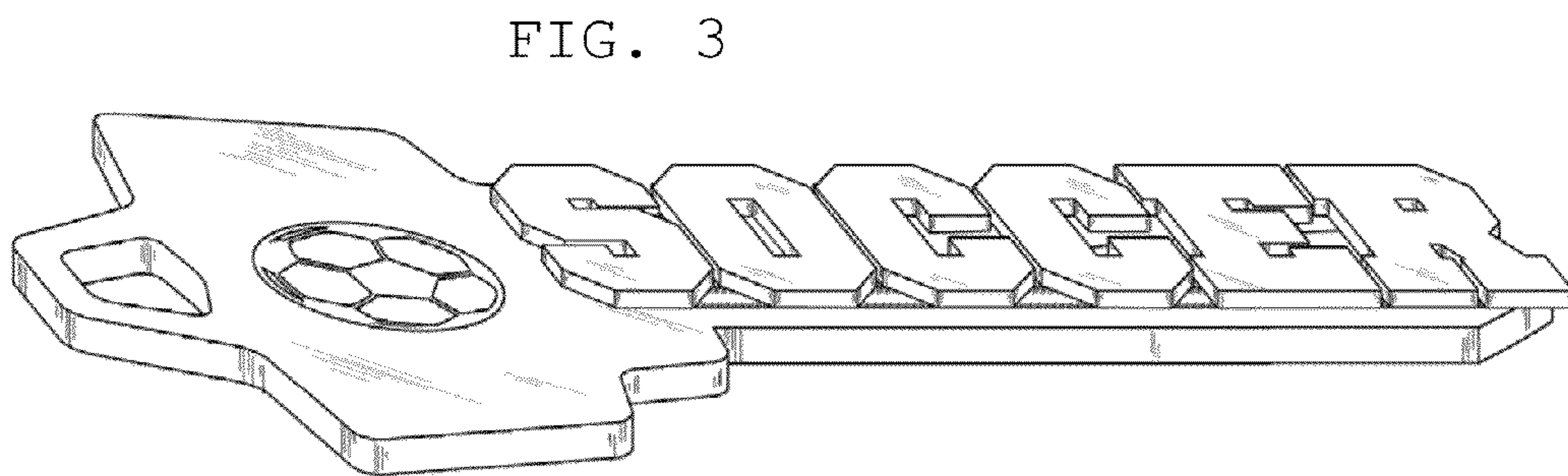
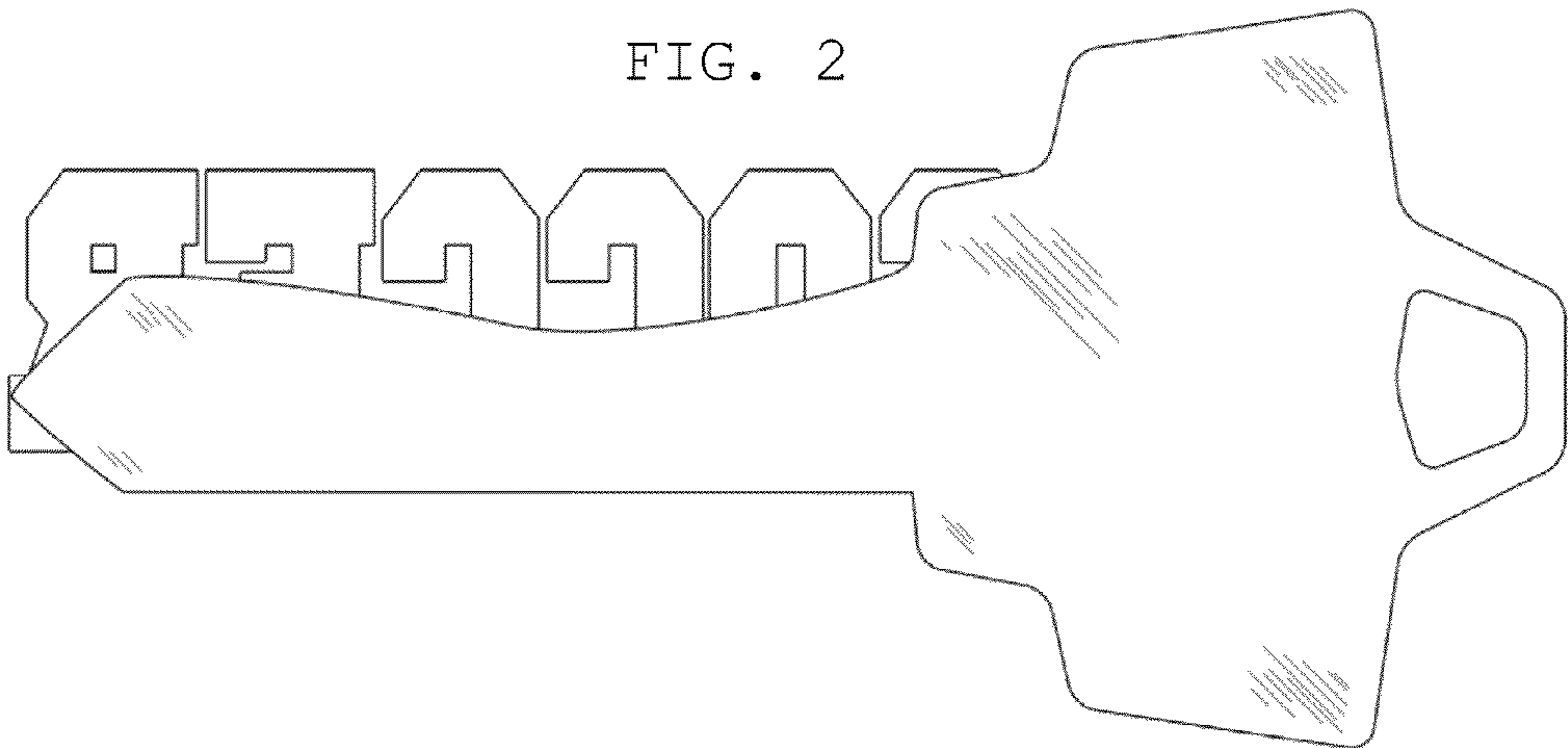
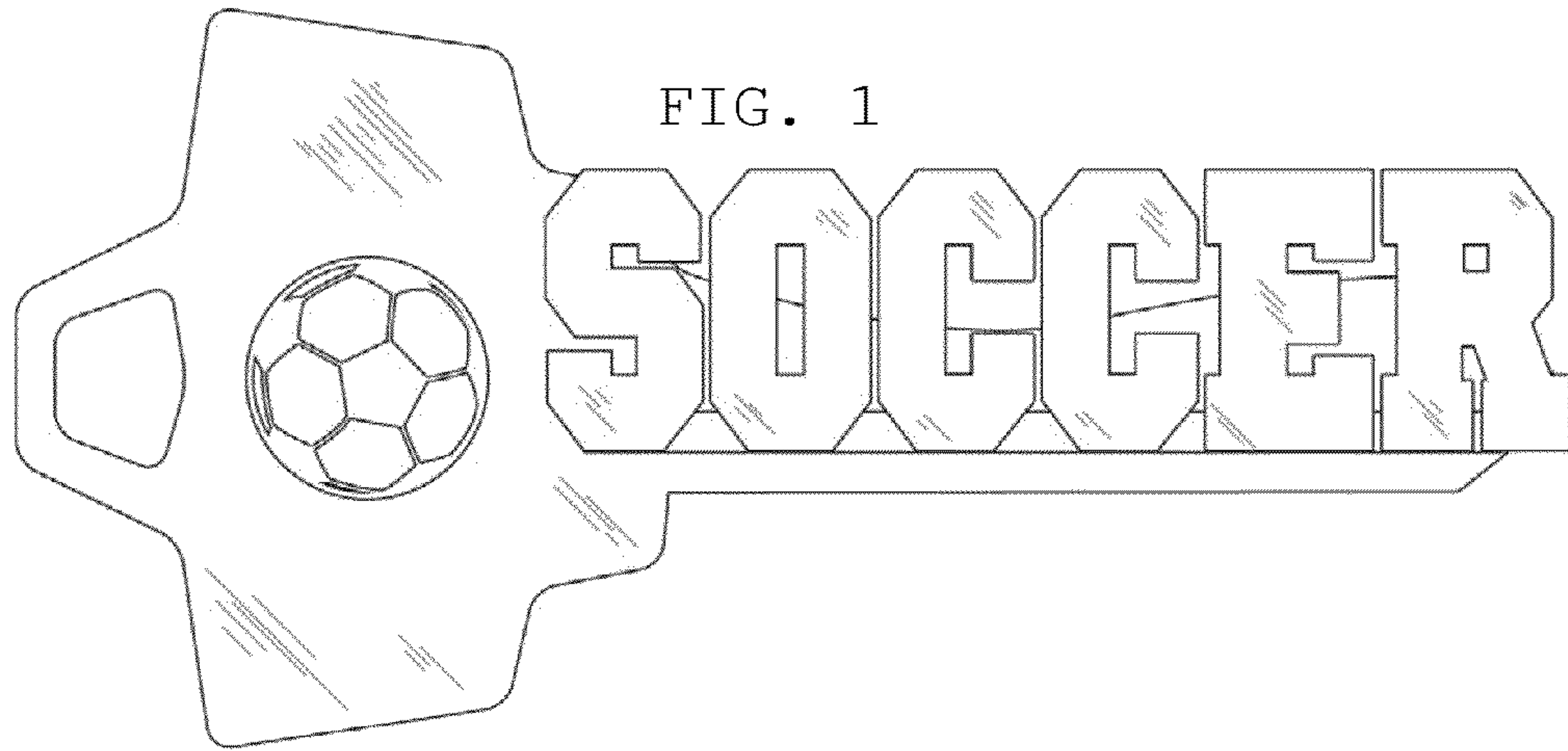


FIG. 4

