



US00D722903S

(12) **United States Design Patent**  
**Rimsky**

(10) **Patent No.:** **US D722,903 S**

(45) **Date of Patent:** **\*\* Feb. 24, 2015**

(54) **BRACELET**

(71) Applicant: **Moonbeams LLC**, New York, NY (US)

(72) Inventor: **Don Rimsky**, Red Hook, NY (US)

(73) Assignee: **Moonbeams LLC**, Red Hook, NY (US)

(\*\*) Term: **14 Years**

(21) Appl. No.: **29/472,027**

(22) Filed: **Nov. 7, 2013**

(51) **LOC (10) Cl.** ..... **11-01**

(52) **U.S. Cl.**  
USPC ..... **D11/3**

(58) **Field of Classification Search**  
USPC ..... D11/1-29; D10/30, 32; D2/610-623,  
D2/853, 858; D24/188-190, 206;  
D30/144, 151, 153; 63/1.11, 3, 3.1,  
63/3.2, 5.1, 5.2, 7, 11, 15, 15.1-15.4,  
63/15.45, 15.5, 15.6, 15.65, 15.7, 21;  
368/276-278, 281-283; 2/16, 22, 59,  
2/125, 126

See application file for complete search history.

(56) **References Cited**

**U.S. PATENT DOCUMENTS**

2,954,620	A *	10/1960	Schneider	.....	40/633
3,086,529	A *	4/1963	Munz et al.	.....	63/3
5,364,133	A *	11/1994	Hofer et al.	.....	40/633
D368,231	S *	3/1996	McFadden	.....	D11/4
D381,046	S *	7/1997	Hiers et al.	.....	D11/5
D383,993	S *	9/1997	Kalbach	.....	D11/3
5,740,623	A *	4/1998	Juhan et al.	.....	40/633
5,799,426	A *	9/1998	Peterson	.....	40/633
5,857,217	A *	1/1999	Hsueh	.....	2/170
6,000,062	A *	12/1999	Trakh	.....	2/171
6,546,656	B2 *	4/2003	Twentier	.....	40/633
D542,687	S *	5/2007	Brown	.....	D11/4

D547,228	S *	7/2007	Rozsavolgyi	.....	D11/5
D548,129	S *	8/2007	Fineide	.....	D11/5
8,424,341	B2 *	4/2013	Summerford	.....	63/21
D686,217	S *	7/2013	Andre	.....	D11/2
D693,720	S *	11/2013	O'Malley et al.	.....	D11/3
2002/0100107	A1 *	8/2002	Shin	.....	2/181
2005/0242962	A1 *	11/2005	Lind et al.	.....	340/572.8
2011/0290872	A1 *	12/2011	Bock	.....	2/170
2014/0102135	A1 *	4/2014	German	.....	63/1.11

\* cited by examiner

*Primary Examiner* — Garth Rademaker

*Assistant Examiner* — Llorelys Martinez-Rivera

(74) *Attorney, Agent, or Firm* — Leason Ellis LLP

(57) **CLAIM**

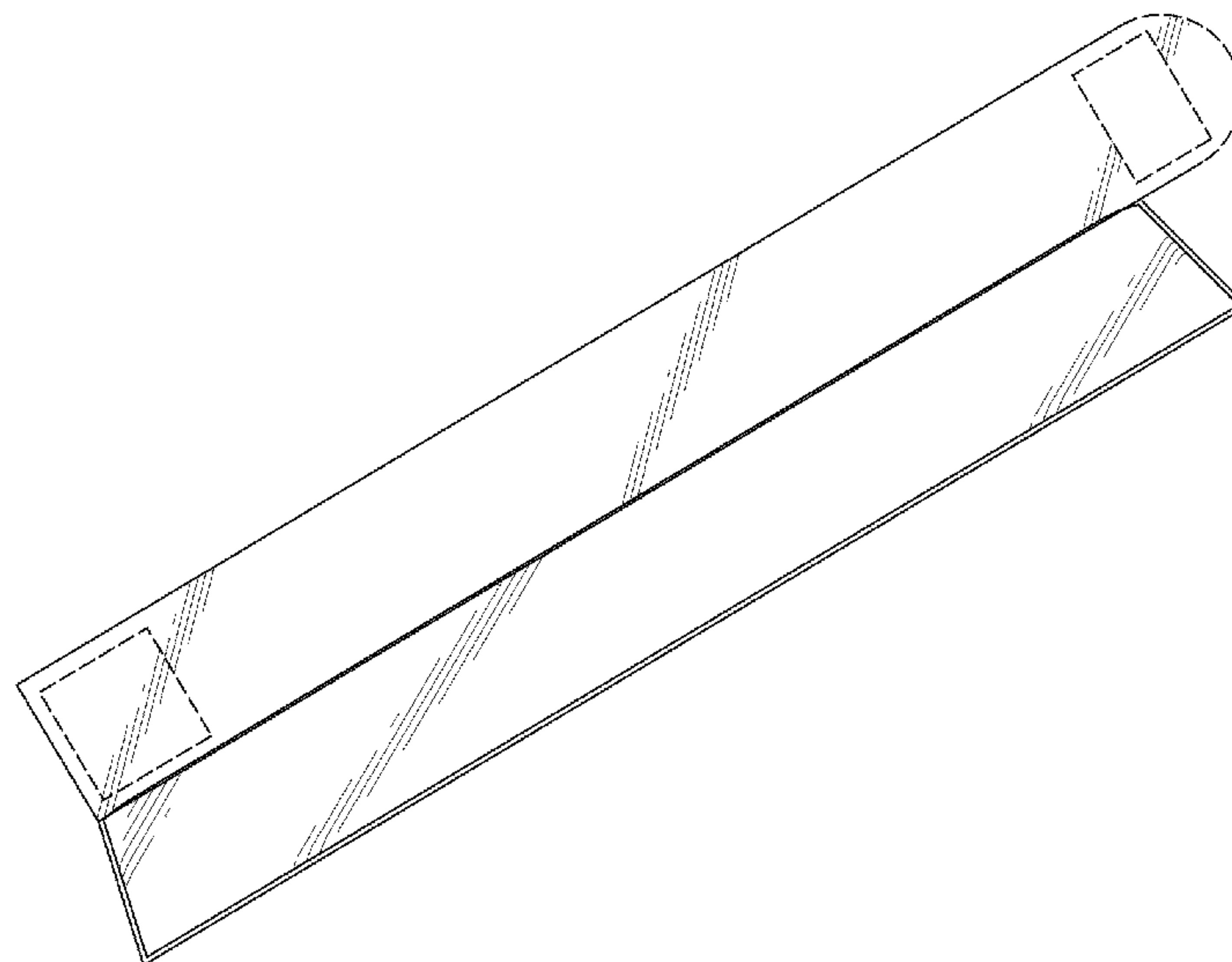
The ornamental design for a bracelet, as shown and described.

**DESCRIPTION**

FIG. 1 is front and side perspective view of a bracelet, showing my new design in an open configuration;  
 FIG. 2 is another front and side perspective view thereof;  
 FIG. 3 is another front and side perspective view thereof;  
 FIG. 4 is a front elevation view thereof showing the bracelet in a closed configuration;  
 FIG. 5 is a rear elevation view thereof;  
 FIG. 6 is a right side elevation view thereof;  
 FIG. 7 is a left side elevation view thereof;  
 FIG. 8 is a right end view thereof, shown at an enlarged scale;  
 FIG. 9 is a left end view thereof, shown at an enlarged scale;  
 FIG. 10 is an end perspective view of the bracelet in an open configuration, shown at an enlarge scale; and,  
 FIG. 11 is a right side elevation view of the bracelet in a closed and attached configuration.

The broken line portions in the drawings are included to show environmental subject matter only and form no part of the claimed design.

**1 Claim, 3 Drawing Sheets**



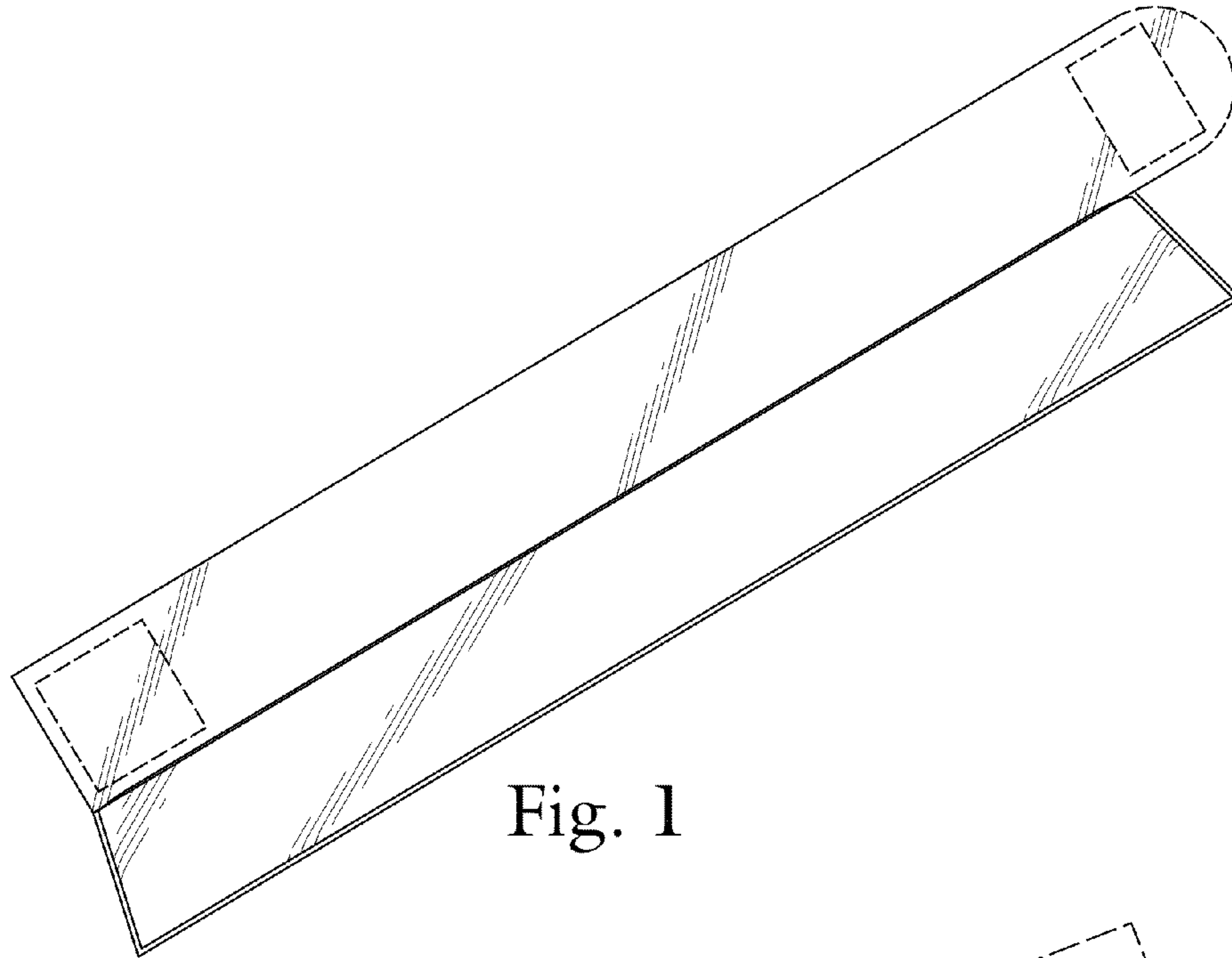


Fig. 1

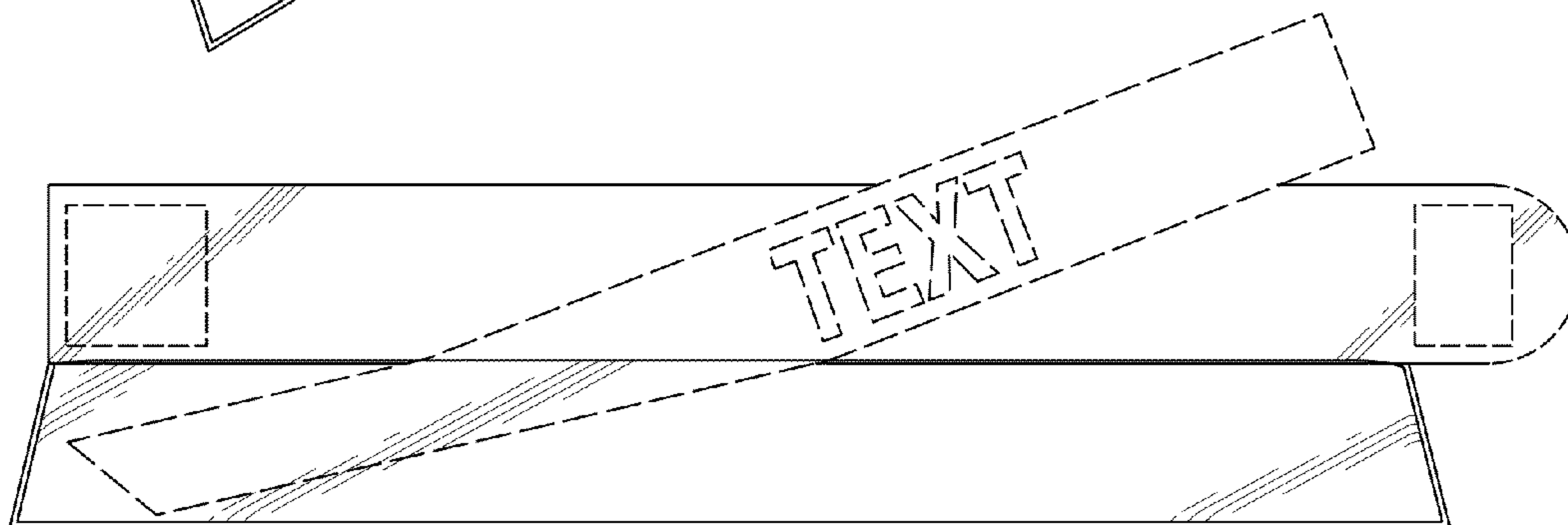


Fig. 2

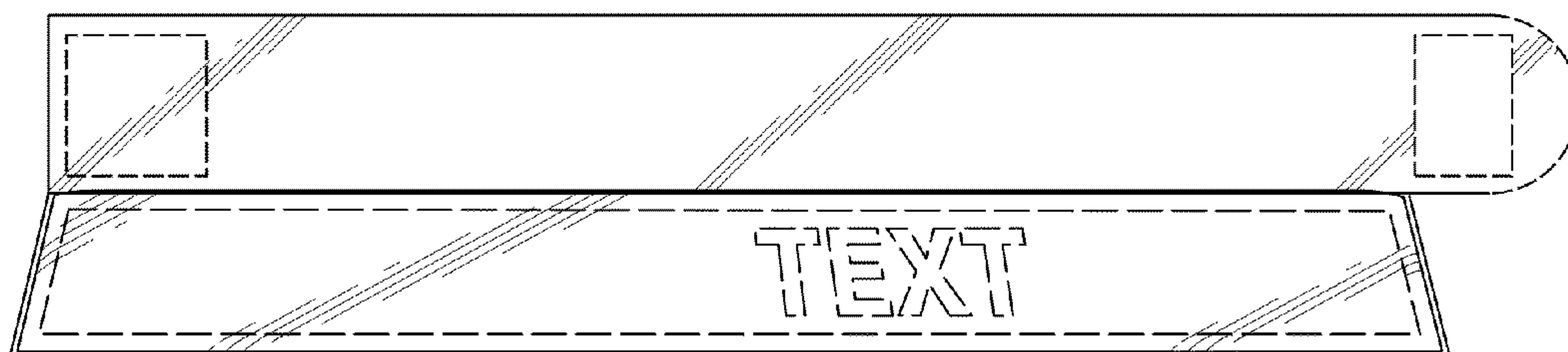


Fig. 3

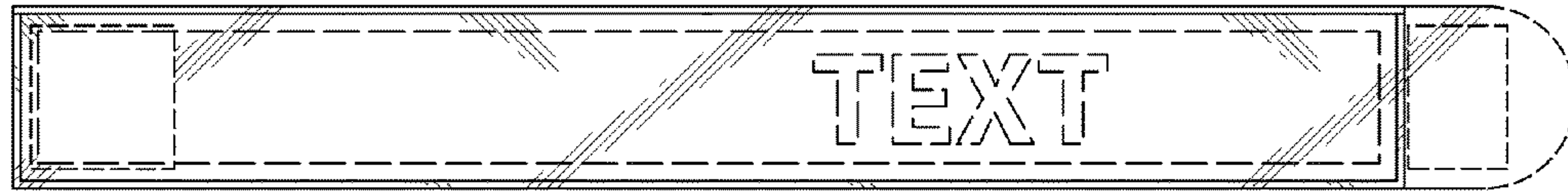


Fig. 4

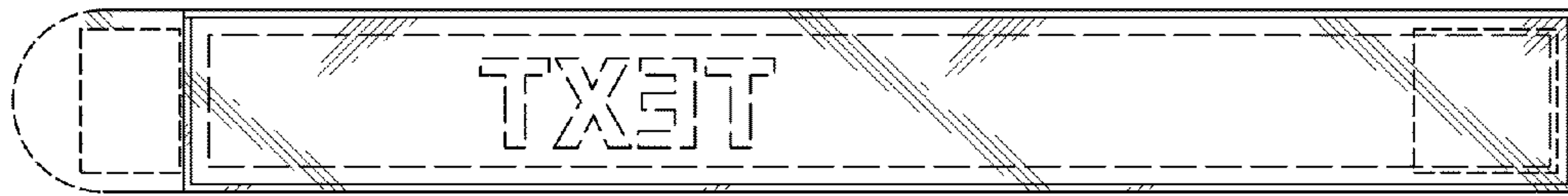


Fig. 5



Fig. 6



Fig. 7

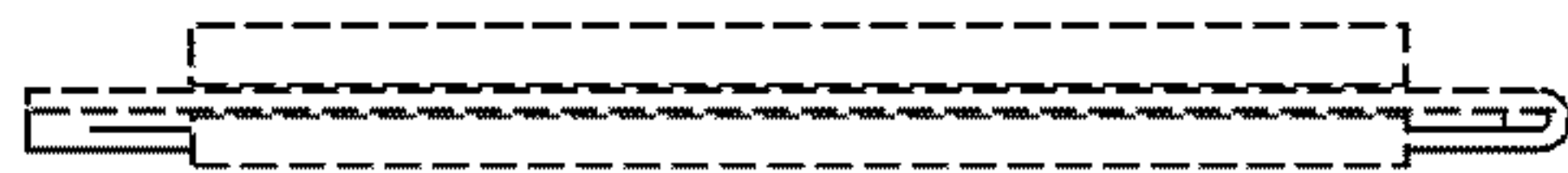


Fig. 8



Fig. 9

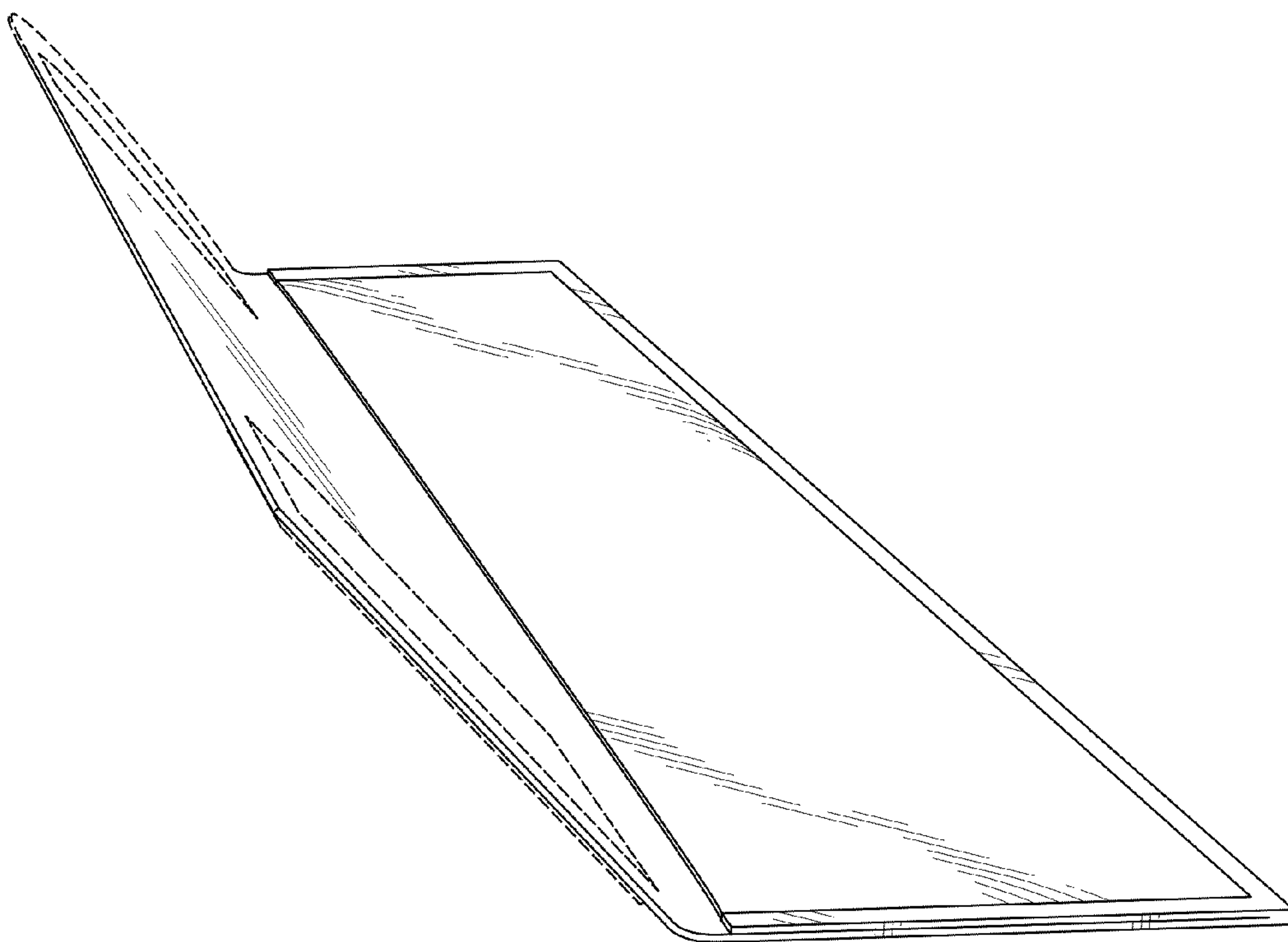


Fig. 10

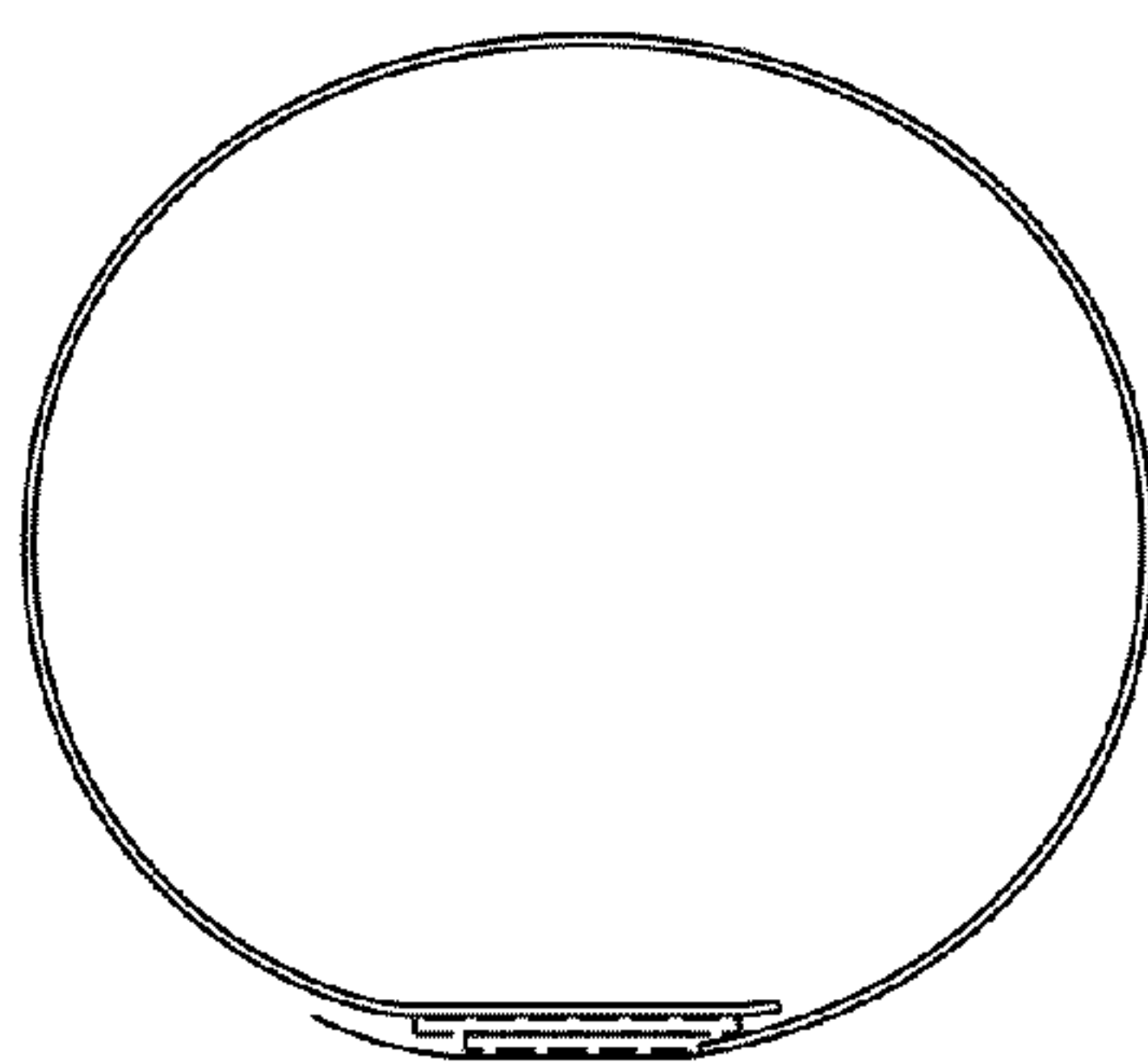


Fig. 11