

US00D722902S

(12) **United States Design Patent**
Mihalyo

(10) **Patent No.:** **US D722,902 S**

(45) **Date of Patent:** **** Feb. 24, 2015**

(54) **BRACELET**

(71) Applicant: **Thomas Mihalyo**, Highland, NY (US)

(72) Inventor: **Thomas Mihalyo**, Highland, NY (US)

(**) Term: **14 Years**

(21) Appl. No.: **29/468,336**

(22) Filed: **Sep. 28, 2013**

(51) **LOC (10) Cl.** **11-01**

(52) **U.S. Cl.**
USPC **D11/3**

(58) **Field of Classification Search**
USPC D11/1-37, 41, 79, 86; D10/30-32, 104,
D10/114.9; D14/344; D24/188-190, 192;
D2/860, 894, 976, 978; D30/151-153,
D30/160; D28/41; D7/633; 24/17 A, 17 B,
24/16 PB; 63/1.11, 3, 3.1, 3.2, 4, 5.1, 5.2,
63/7, 15, 15.1-15.4, 15.45, 15.5, 15.65,
63/15.7, 21, 23, 33, 38-41; 368/281, 282,
368/315; D9/434, 516; D3/215

See application file for complete search history.

(56) **References Cited**

U.S. PATENT DOCUMENTS

76,470	A *	4/1868	Kinsel	63/15
331,033	A *	11/1885	Chadwick	63/11
430,295	A *	6/1890	Mathewson	63/3
D38,917	S *	12/1907	Henriksen	D11/238
D55,788	S *	7/1920	Griffin	D11/6
1,449,175	A *	3/1923	Grunebaum	63/3.1
D80,833	S *	4/1930	Gross	D11/34
2,775,093	A *	12/1956	Kundert	63/4
3,647,055	A *	3/1972	Pfaff	63/4

D243,359	S *	2/1977	Nevrous	D11/4
D254,300	S *	2/1980	Minassian	D11/28
D257,021	S *	9/1980	Barr	D11/34
D271,187	S *	11/1983	Bulgari	D11/3
D375,612	S *	11/1996	Elder	D2/894
D470,429	S *	2/2003	Bonnet	D11/3
D472,840	S *	4/2003	Visick	D11/3
D640,948	S *	7/2011	Quigley	D11/3
D646,192	S *	10/2011	Woode	D11/3
D694,662	S *	12/2013	Buckley	D11/3
2005/0150035	A1 *	7/2005	Marks	2/338
2005/0268653	A1 *	12/2005	Kaplan	63/15.7

OTHER PUBLICATIONS

Photobands *The Next Big Thing in Customizable Expression*, Youtube.com, published Sep. 13, 2013, online. Site visited May 12, 2014. Internet URL:<"http://www.youtube.com/watch?v=CM0cLE4gpXc">.*

Allerbling, Raising Allergy Kids blog, published Jun. 11, 2011, online. Site visited May 8, 2014. Internet URL:<"http://www.raisingallergykids.com/2011/06/allerbling.html">.*

* cited by examiner

Primary Examiner — Garth Rademaker

Assistant Examiner — Llorellys Martinez-Rivera

(57) **CLAIM**

The ornamental design for a bracelet, as shown.

DESCRIPTION

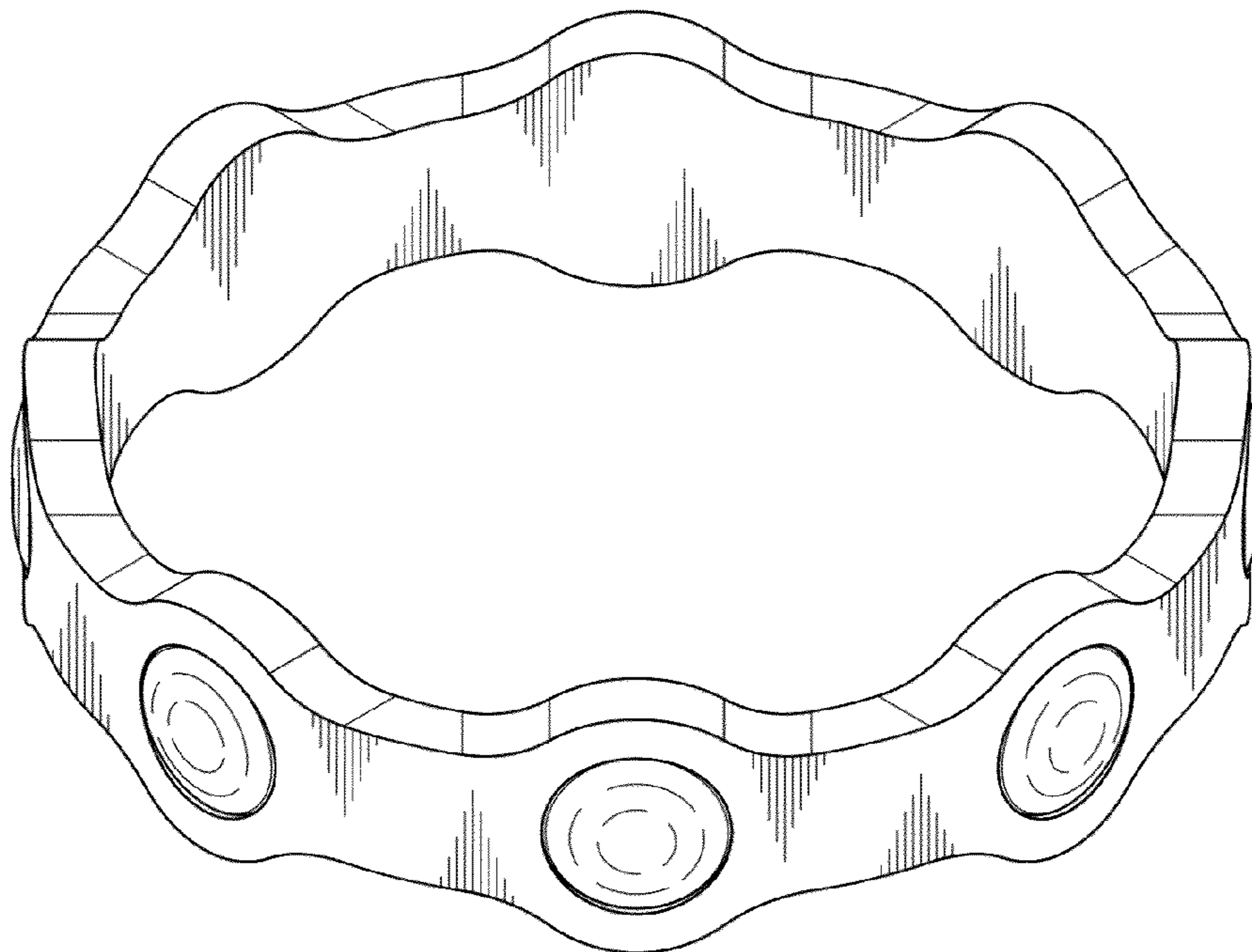
FIG. 1 is a perspective view of a bracelet showing my new design;

FIG. 2 is an edgewise elevational view thereof;

FIG. 3 is a side elevational view thereof; and,

FIG. 4 is an enlarged partial perspective view thereof.

1 Claim, 2 Drawing Sheets



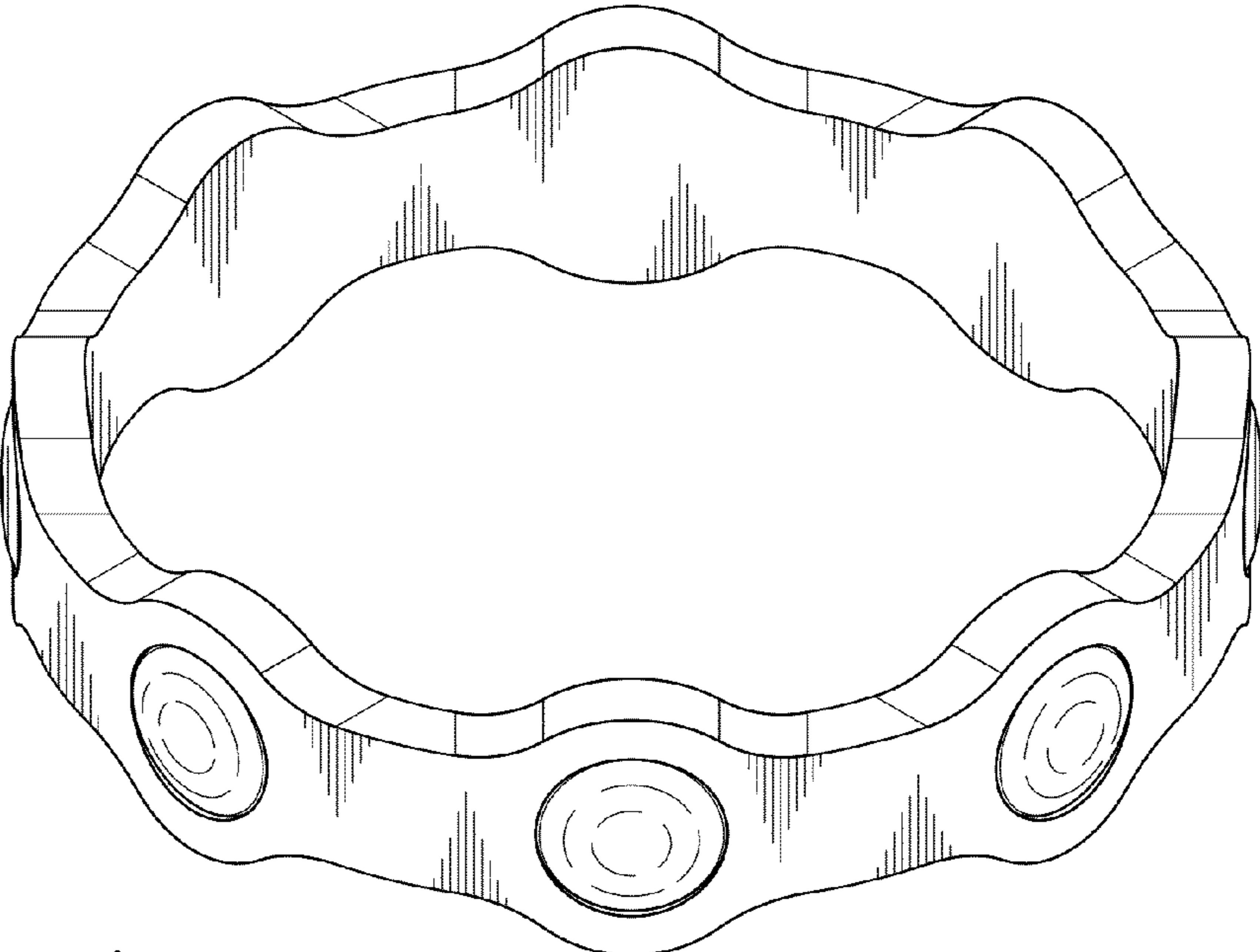


FIG. 1

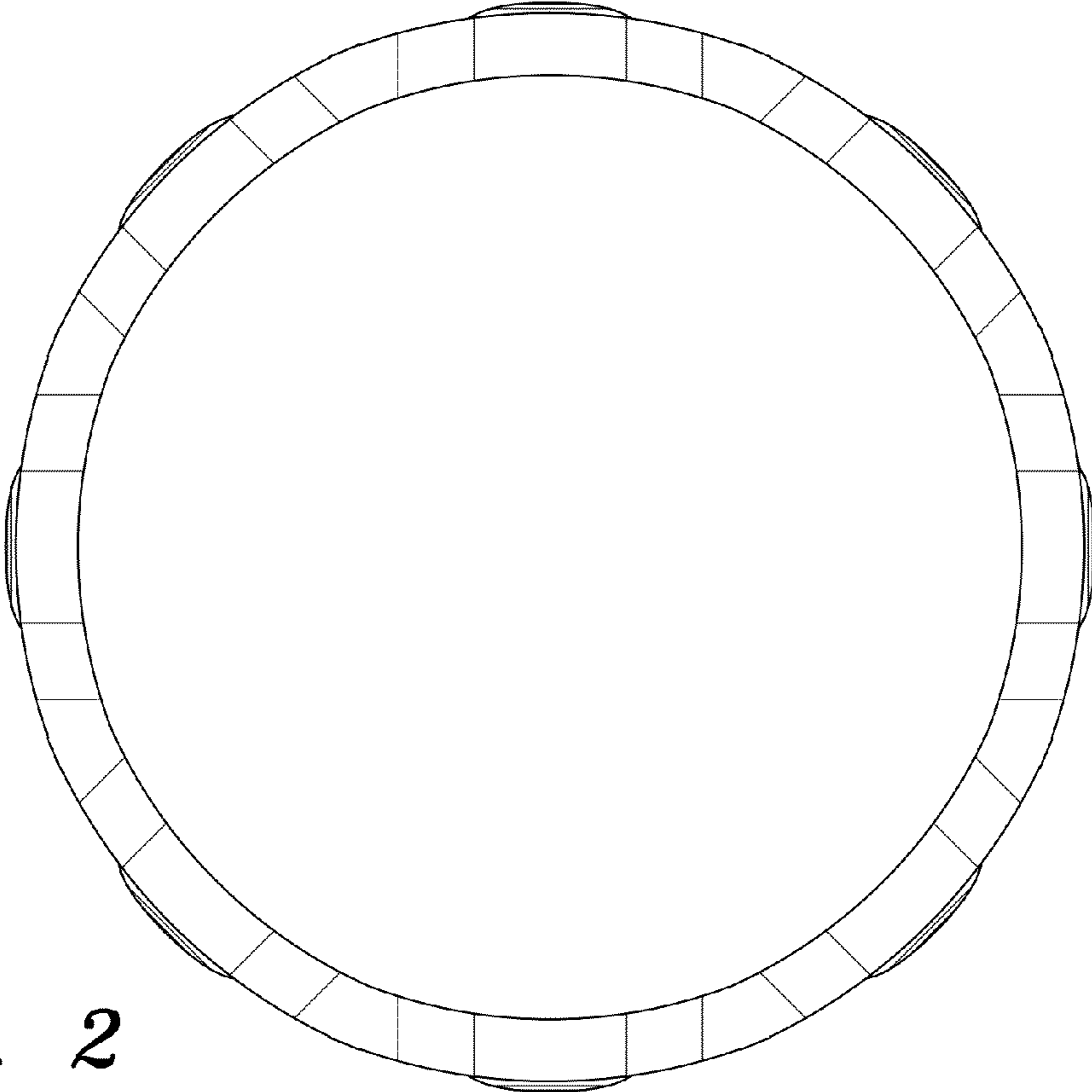


FIG. 2

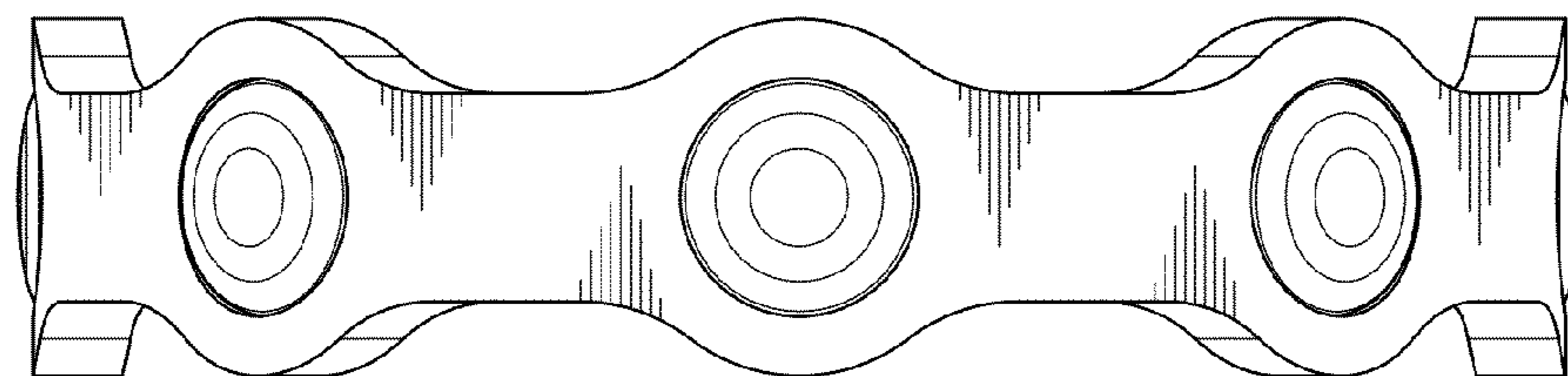


FIG. 3

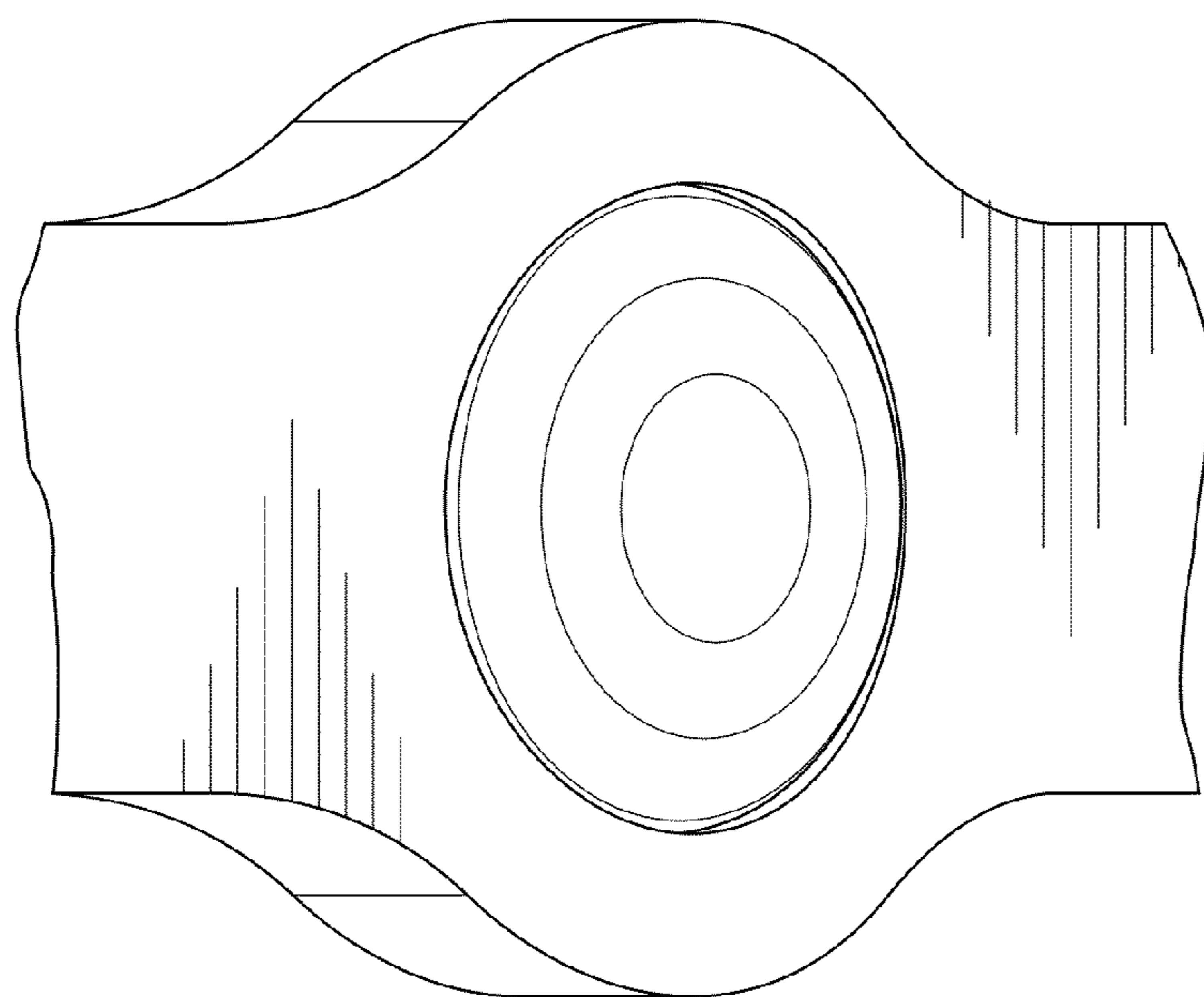


FIG. 4