



US00D722900S

(12) **United States Design Patent**
Biddle

(10) **Patent No.:** **US D722,900 S**

(45) **Date of Patent:** **** Feb. 24, 2015**

(54) **METAL HARDNESS TESTER BLOCK
HAVING AN ALPHANUMERIC PLATTED
GRID**

(71) Applicant: **Ernest L. Biddle**, Bryn Mawr, PA (US)

(72) Inventor: **Ernest L. Biddle**, Bryn Mawr, PA (US)

(73) Assignee: **King Tester Corporation**, King of Prussia, PA (US)

(**) Term: **14 Years**

(21) Appl. No.: **29/471,670**

(22) Filed: **Nov. 4, 2013**

(51) **LOC (10) Cl.** **10-04**

(52) **U.S. Cl.**
USPC **D10/83; D10/103**

(58) **Field of Classification Search**
CPC G05F 7/00; G05F 1/52; G01N 27/62;
G01N 27/624; H01J 49/04; H01J 49/26;
H01J 49/425; H01J 49/061; H01J 49/0031;
H01J 49/49; H01J 49/062; H01J 49/40;
H01J 49/408; H01J 49/107; H01J 49/0036;
H01J 49/4245; H01J 49/004
USPC D10/81; D24/216, 232, 234
See application file for complete search history.

(56) **References Cited**

U.S. PATENT DOCUMENTS

3,352,148 A * 11/1967 Johnson 73/81
4,275,966 A * 6/1981 Kleesattel 356/626
D304,427 S * 11/1989 Biddle D10/83

5,505,094 A * 4/1996 Parsons 73/849
6,581,446 B1 * 6/2003 Deneuve et al. 73/81
D611,855 S * 3/2010 Minagawa et al. D10/85
D689,388 S * 9/2013 Berme D10/83
D689,389 S * 9/2013 Berme D10/83
2008/0072656 A1 * 3/2008 Conner 73/32 R
2011/0041627 A1 * 2/2011 Gerlach 73/866
2011/0136239 A1 * 6/2011 Hehn et al. 436/6

* cited by examiner

Primary Examiner — Antoine D Davis

(74) *Attorney, Agent, or Firm* — Charles N. Quinn; Fox Rothschild LLP

(57) **CLAIM**

The ornamental design for a metal hardness test block having an alphanumeric platted grid, as shown.

DESCRIPTION

FIG. 1 is an isometric view showing the top, left end, and front of the metal hardness test block having an alphanumeric platted grid.

FIG. 2 is a top plan view of the metal hardness test block having an alphanumeric platted grid.

FIG. 3 is a bottom view of the metal hardness test block having an alphanumeric platted grid.

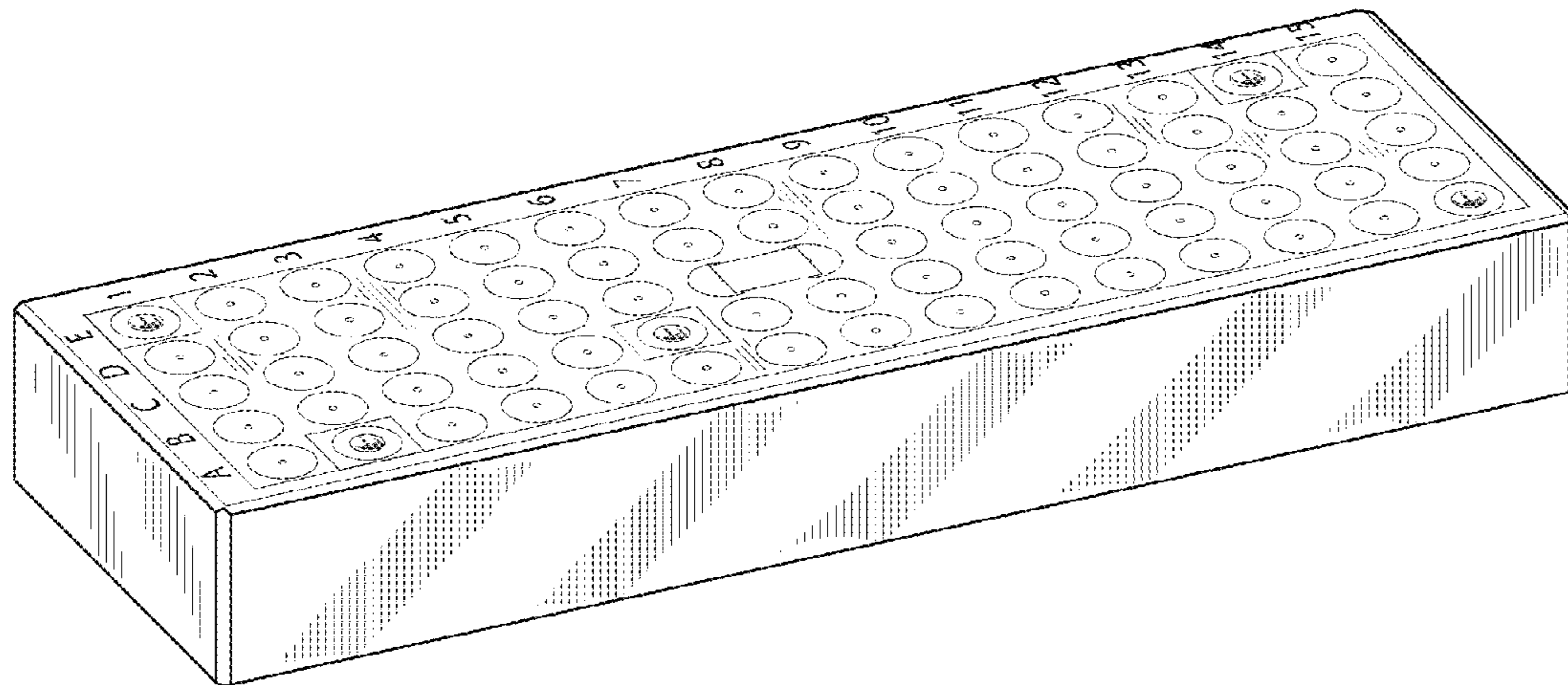
FIG. 4 is a left end view of the metal hardness test block having an alphanumeric platted grid.

FIG. 5 is a right end view of the metal hardness test block having an alphanumeric platted grid.

FIG. 6 is a front view of the metal hardness test block having an alphanumeric platted grid; and,

FIG. 7 is a rear view of the metal hardness tester block having an alphanumeric platted grid.

1 Claim, 3 Drawing Sheets



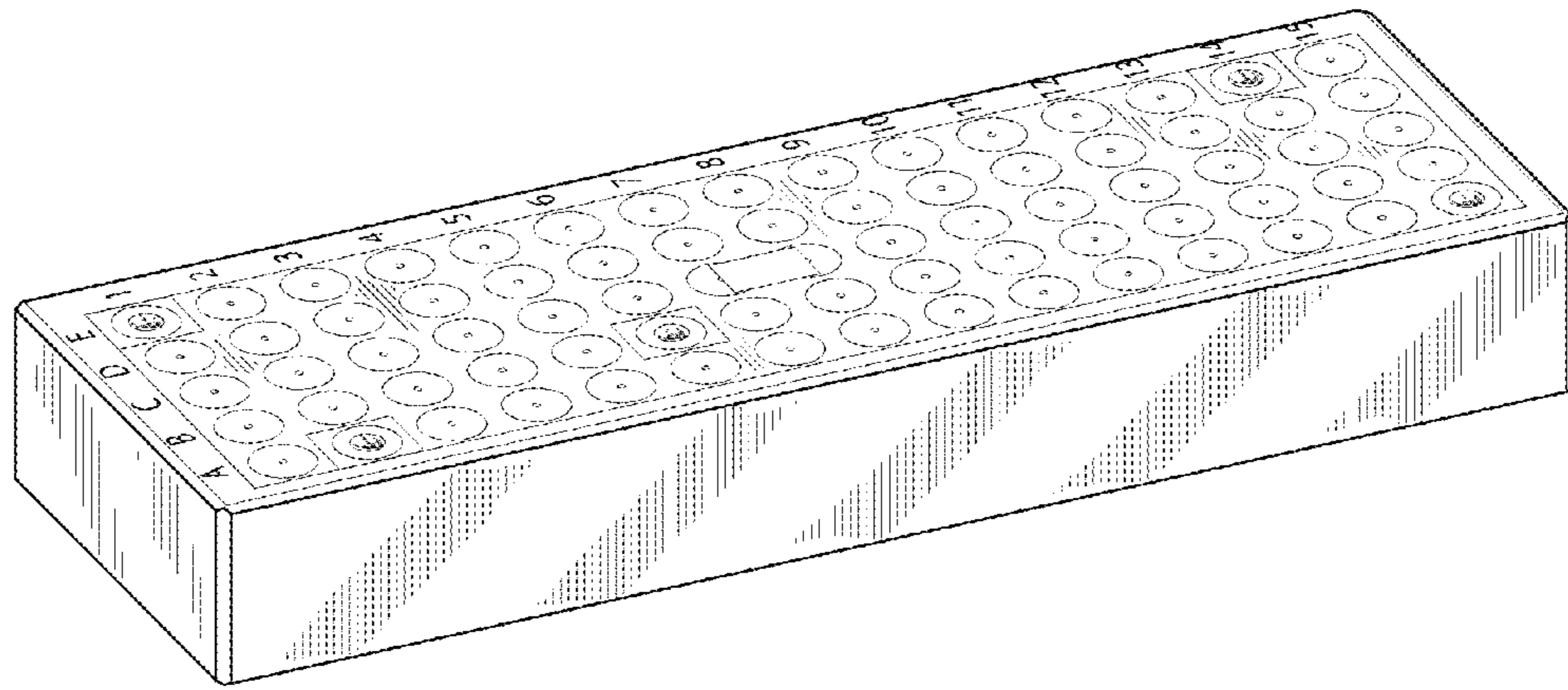


FIG. 1

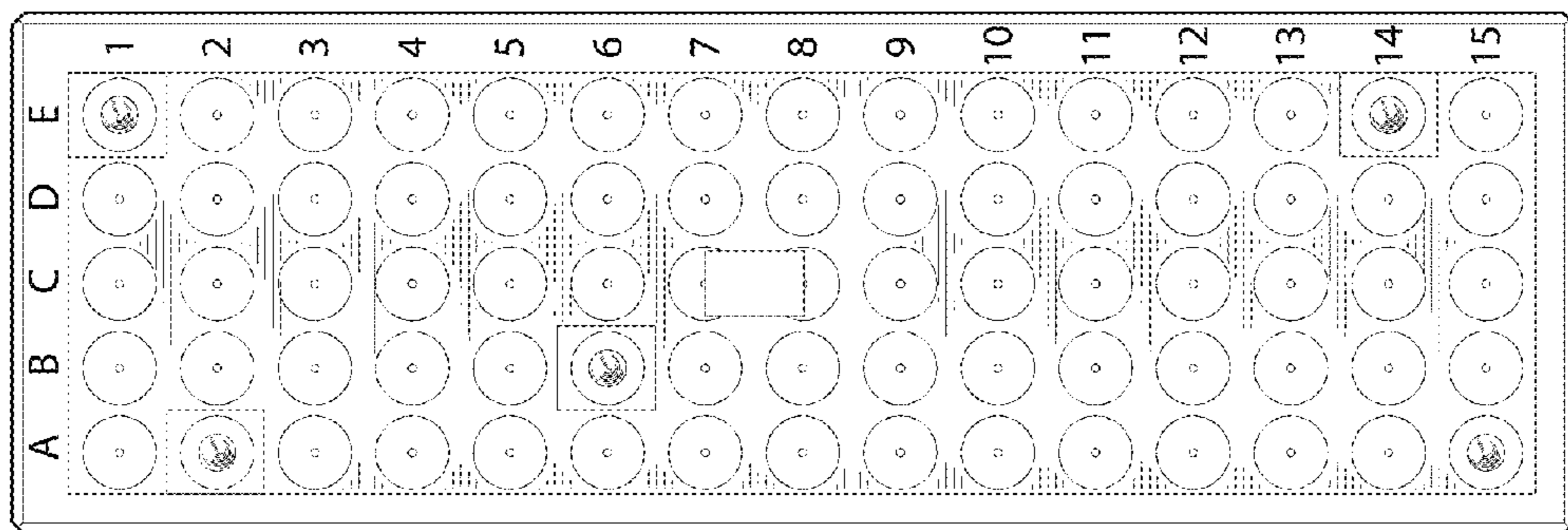


FIG. 2

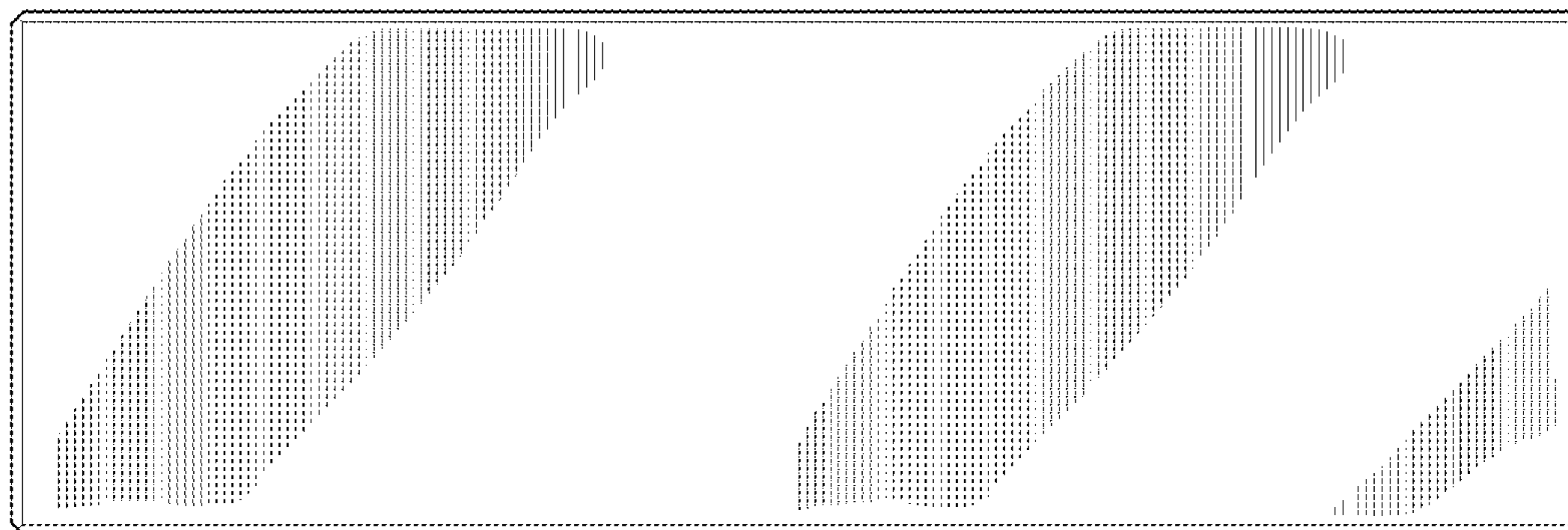


FIG. 3

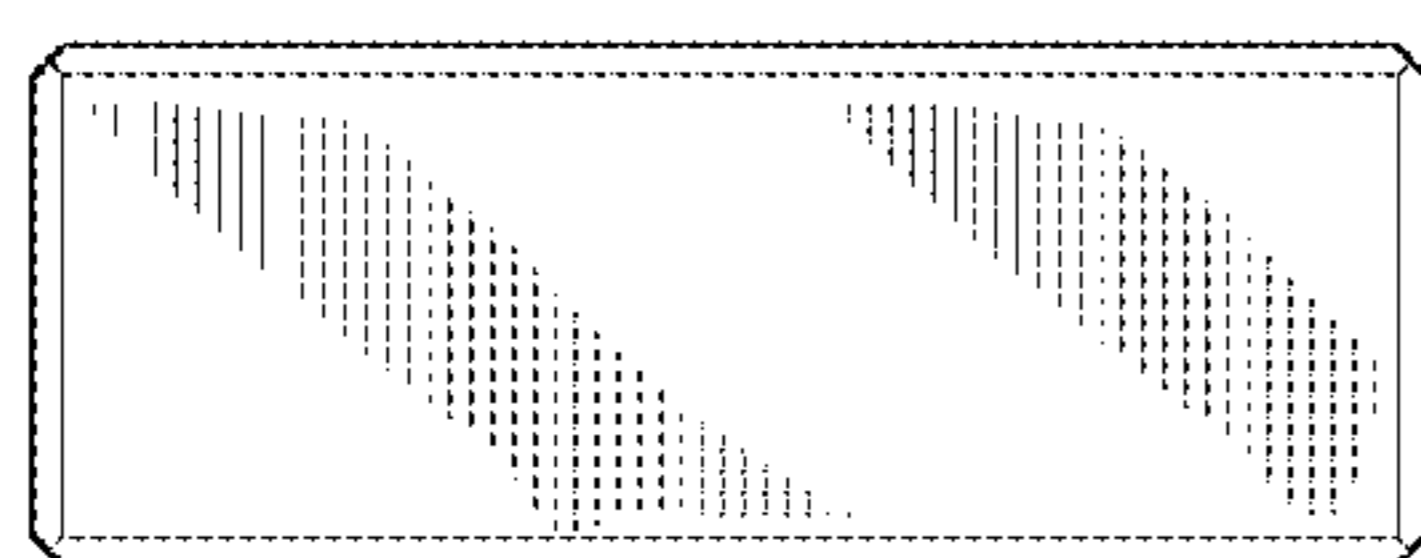


FIG. 4

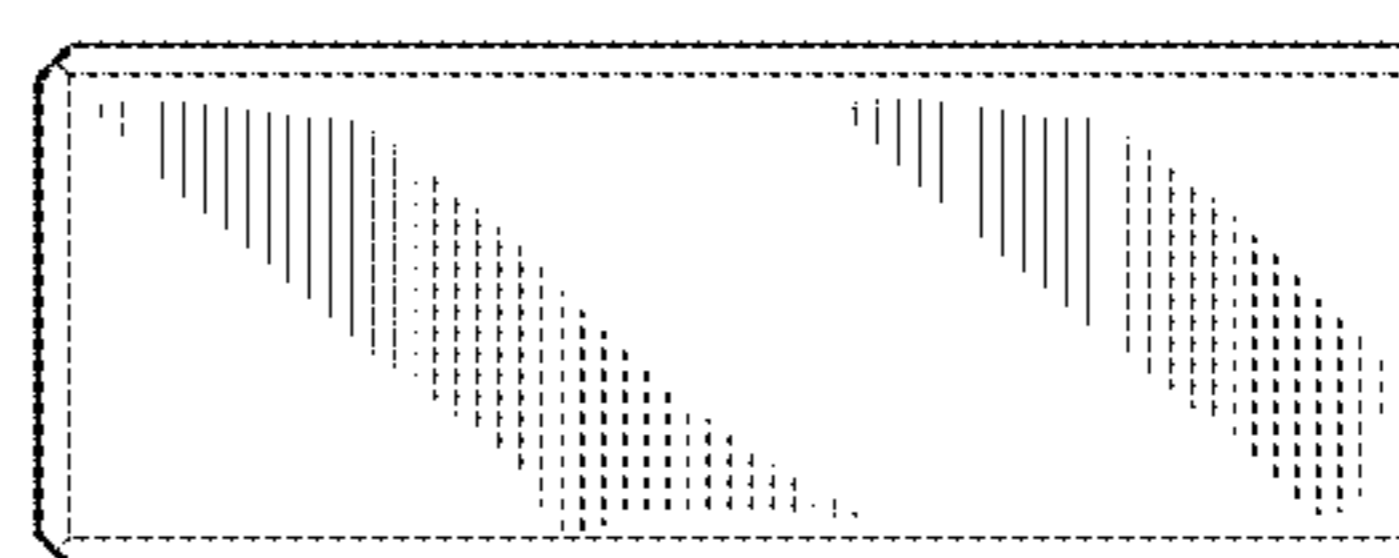


FIG. 5



FIG. 6

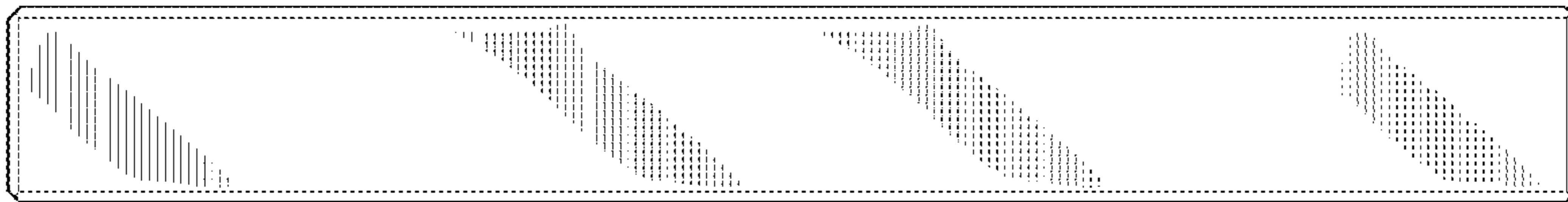


FIG. 7