



US00D722898S

(12) **United States Design Patent**  
**Bailey**

(10) **Patent No.:** **US D722,898 S**

(45) **Date of Patent:** **\*\* Feb. 24, 2015**

(54) **TELESCOPING, BENDABLE ROD HAVING MEASUREMENT MARKINGS FOR MEASURING LENGTHS**

(71) Applicant: **Joseph Bailey**, Brooklyn, NY (US)

(72) Inventor: **Joseph Bailey**, Brooklyn, NY (US)

(\*\*) Term: **14 Years**

(21) Appl. No.: **29/468,713**

(22) Filed: **Oct. 2, 2013**

(51) **LOC (10) Cl.** ..... **10-04**

(52) **U.S. Cl.**  
USPC ..... **D10/70**

(58) **Field of Classification Search**  
USPC ..... D10/65, 70; 33/21.1, 464, 483-494,  
33/542.1, 783, 809-812  
See application file for complete search history.

(56) **References Cited**

U.S. PATENT DOCUMENTS

575,671	A *	1/1897	Watts et al.	33/485
1,079,457	A *	11/1913	Wesson	33/494
1,607,097	A *	11/1926	Murphy	33/485
2,923,063	A *	2/1960	Hansen	33/560
4,318,228	A *	3/1982	Kimura	33/809
D264,824	S *	6/1982	Sandel	D10/71
D276,897	S *	12/1984	Woods	D10/70
D320,569	S *	10/1991	Goldberg	D10/70
5,155,917	A *	10/1992	Townsend et al.	33/374

D375,759	S *	11/1996	Piscatelli	D19/36
5,873,175	A *	2/1999	Johnston	33/809
D597,874	S *	8/2009	Dahlin et al.	D10/70
D639,685	S *	6/2011	Dahlin et al.	D10/70
2006/0016954	A1 *	1/2006	Saxwold	248/467
2014/0068954	A1 *	3/2014	Al-Dhafiri	33/21.1

\* cited by examiner

*Primary Examiner* — Antoine D Davis

(74) *Attorney, Agent, or Firm* — Ezra Sutton

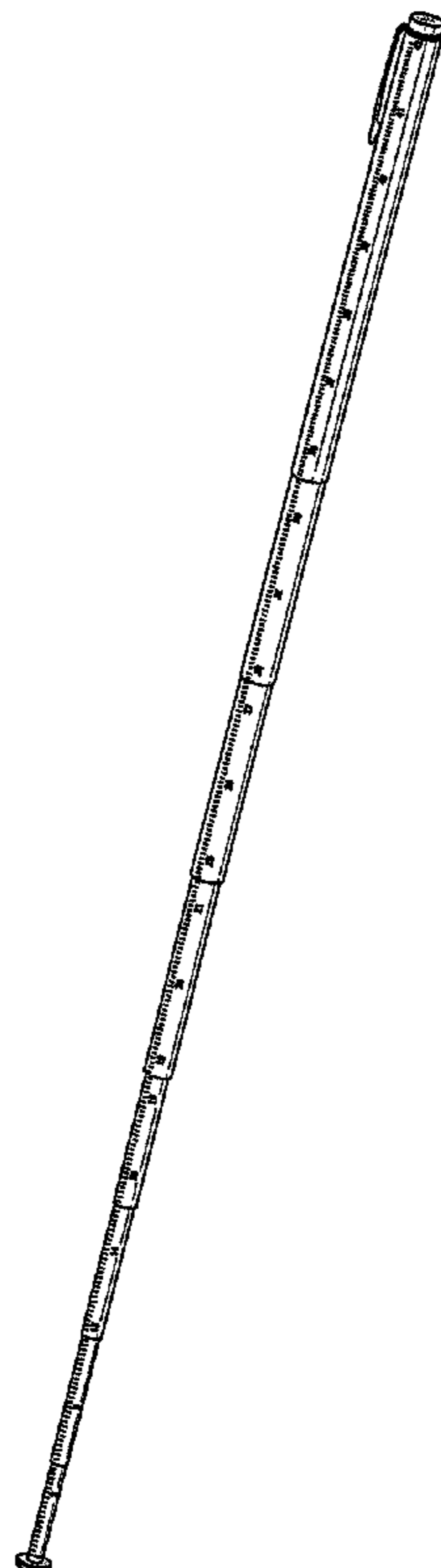
(57) **CLAIM**

The ornamental designs for a telescoping, bendable rod having measurement markings for measuring lengths, as shown and described.

**DESCRIPTION**

FIG. 1 is a perspective view of my new design in the closed configuration, showing a magnetic tip on the lower end and a clip on the upper end;  
FIG. 2 is a front view thereof;  
FIG. 3 is a rear view thereof;  
FIG. 4 is a right side view thereof;  
FIG. 5 is a left side view thereof;  
FIG. 6 is a top view thereof;  
FIG. 7 is a bottom view thereof; and,  
FIG. 8 is a perspective view of my new design in the extended open configuration.

**1 Claim, 7 Drawing Sheets**



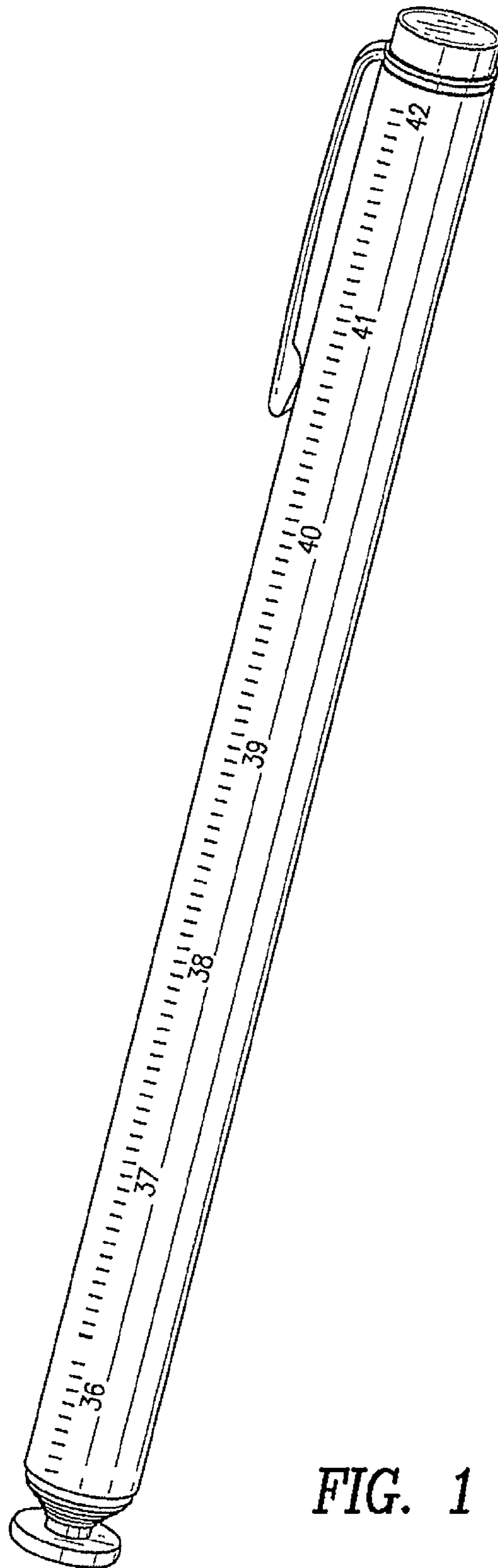


FIG. 1

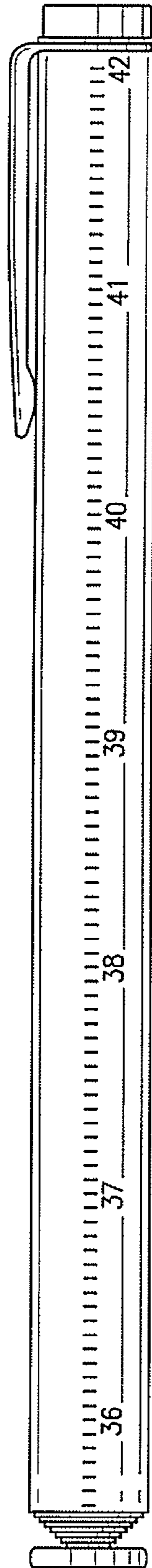


FIG. 2

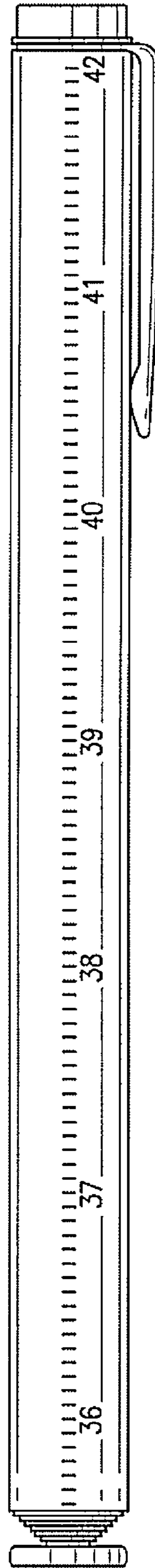
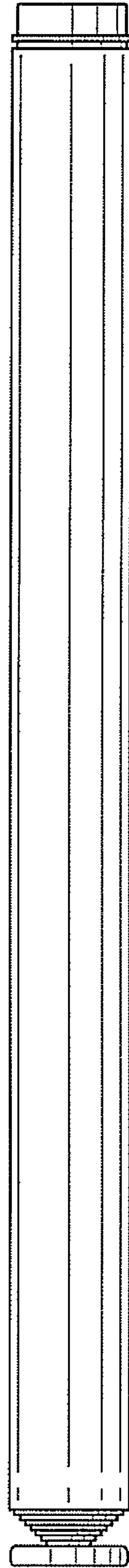
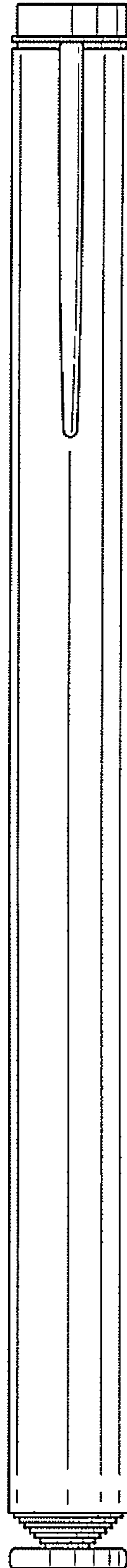


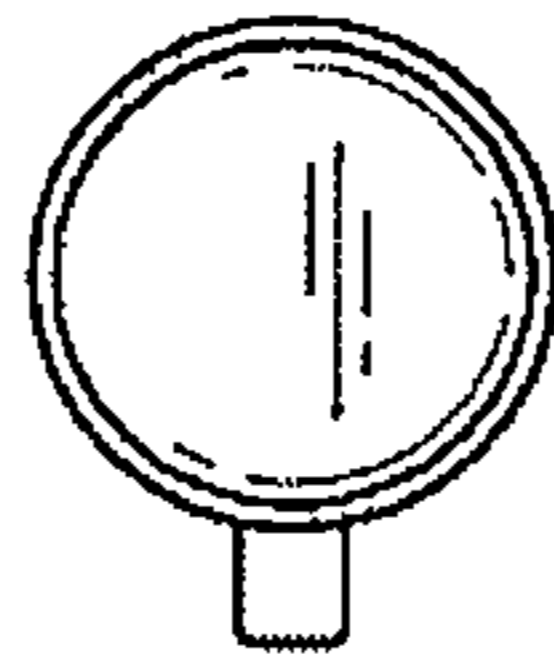
FIG. 3



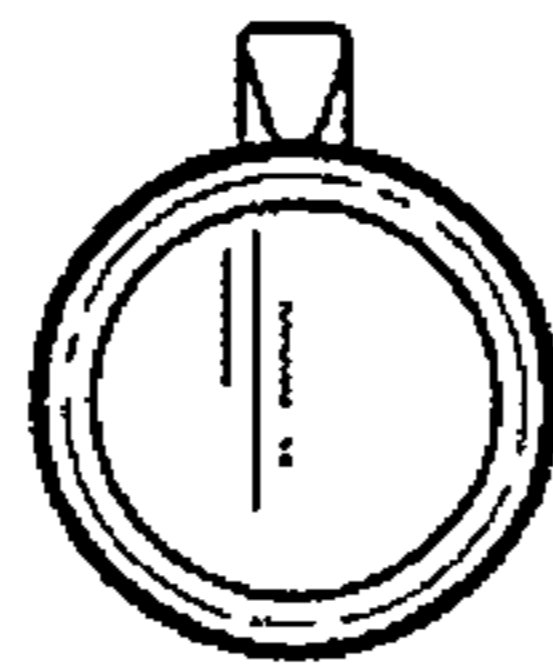
*FIG. 4*



*FIG. 5*



*FIG. 6*



*FIG. 7*

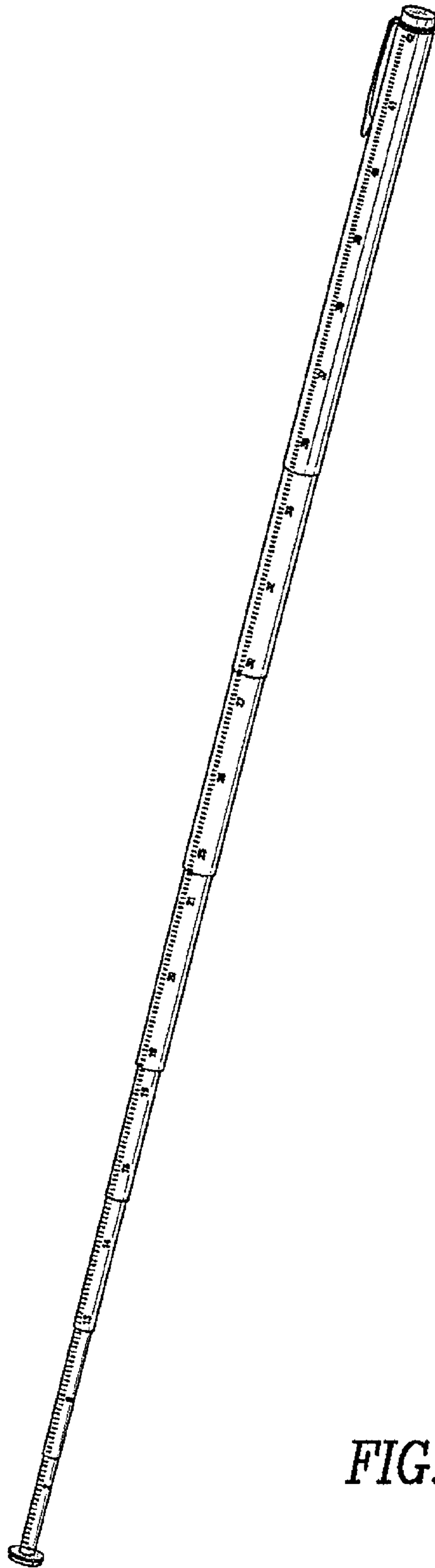


FIG. 8