



US00D722896S

(12) **United States Design Patent**
Lantzsch

(10) **Patent No.:** **US D722,896 S**

(45) **Date of Patent:** **** Feb. 24, 2015**

(54) **ELECTRONIC TEMPERATURE SENSOR**

(71) Applicant: **TESONA GmbH & Co. KG,**
Hörselberg/Hainich (DE)

(72) Inventor: **Heiko Lantzsch,** Eisenach (DE)

(73) Assignee: **TESONA GmbH & Co. KG,**
Hörselberg/Hainich (DE)

(**) Term: **14 Years**

(21) Appl. No.: **29/448,610**

(22) Filed: **Mar. 13, 2013**

(30) **Foreign Application Priority Data**

Sep. 13, 2012 (EP) 002102731-0001
Sep. 13, 2012 (EP) 002102731-0002
Sep. 13, 2012 (EP) 002102731-0003
Sep. 13, 2012 (EP) 002102731-0004

(51) **LOC (10) Cl.** **10-04**

(52) **U.S. Cl.**
USPC **D10/57**

(58) **Field of Classification Search**
USPC D10/78
See application file for complete search history.

(56) **References Cited**

U.S. PATENT DOCUMENTS

4,349,031 A * 9/1982 Perlin 600/380
4,919,099 A * 4/1990 Extance et al. 123/406.28
5,334,932 A * 8/1994 Nielsen 324/204

5,364,186 A * 11/1994 Wang et al. 374/126
7,340,118 B2 * 3/2008 Wlodarczyk et al. 385/12
7,600,914 B2 * 10/2009 Bronnert 374/208
D699,599 S * 2/2014 Sonnendorfer D10/57
8,770,048 B2 * 7/2014 Khuzwayo 73/863.71
8,770,837 B2 * 7/2014 Egan et al. 374/179

* cited by examiner

Primary Examiner — Antoine D Davis

(74) *Attorney, Agent, or Firm* — Gerald T. Bodner

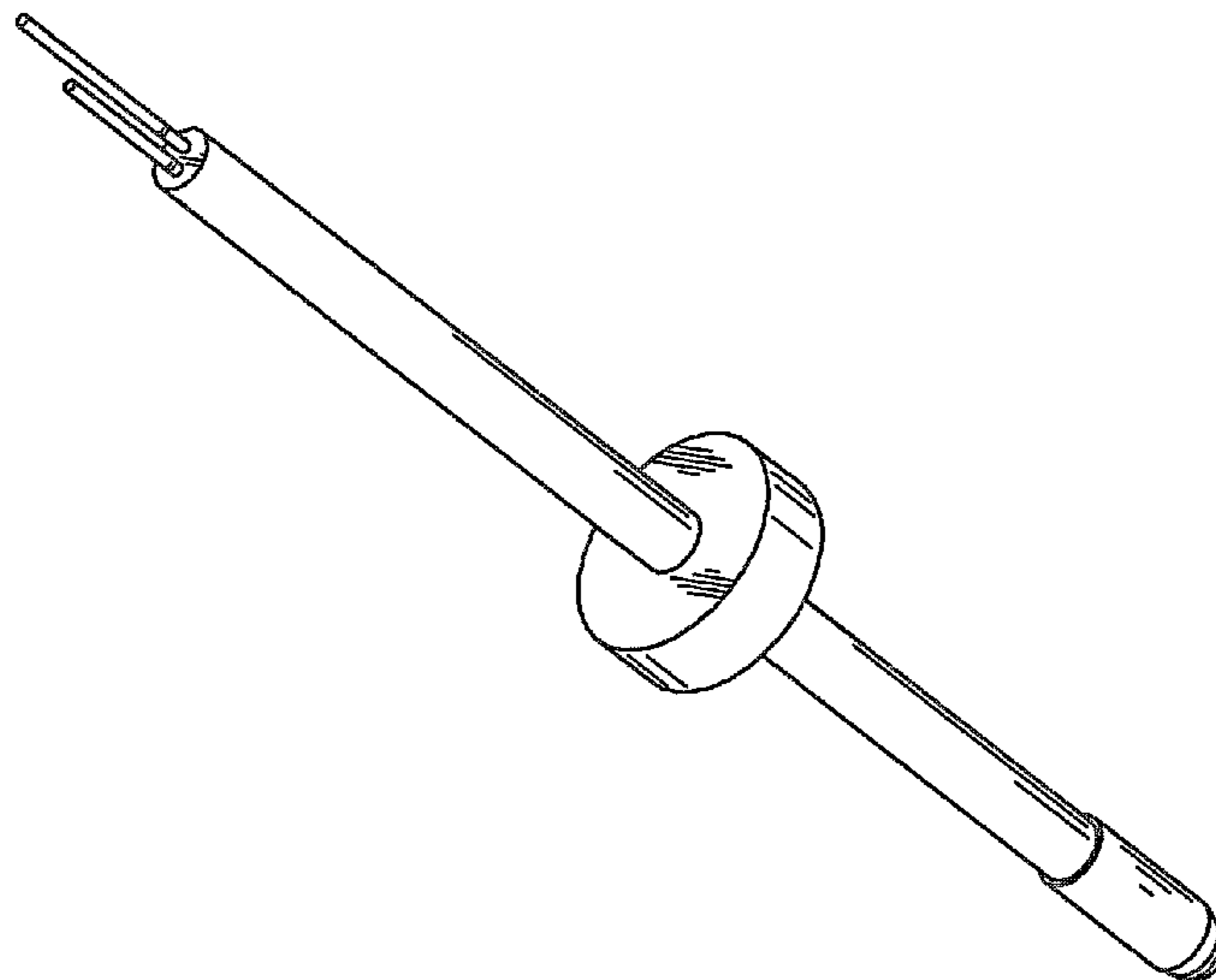
(57) **CLAIM**

The ornamental design of an electronic temperature sensor, as shown and described.

DESCRIPTION

FIG. 1 is a top left perspective view of a first embodiment of an electronic temperature sensor showing my new design; FIG. 2 is a front elevational view thereof; FIG. 3 is a rear elevational view thereof; FIG. 4 is a left elevational view thereof; FIG. 5 is a right elevational view thereof; FIG. 6 is a top plan view thereof; FIG. 7 is a bottom plan view thereof; FIG. 8 is a top left perspective view of a second embodiment of an electronic temperature sensor showing my new design; FIG. 9 is a front elevational view thereof; FIG. 10 is a rear elevational view thereof; FIG. 11 is a left elevational view thereof; FIG. 12 is a right elevational view thereof; FIG. 13 is a top plan view thereof; and, FIG. 14 is a bottom plan view thereof.

1 Claim, 14 Drawing Sheets



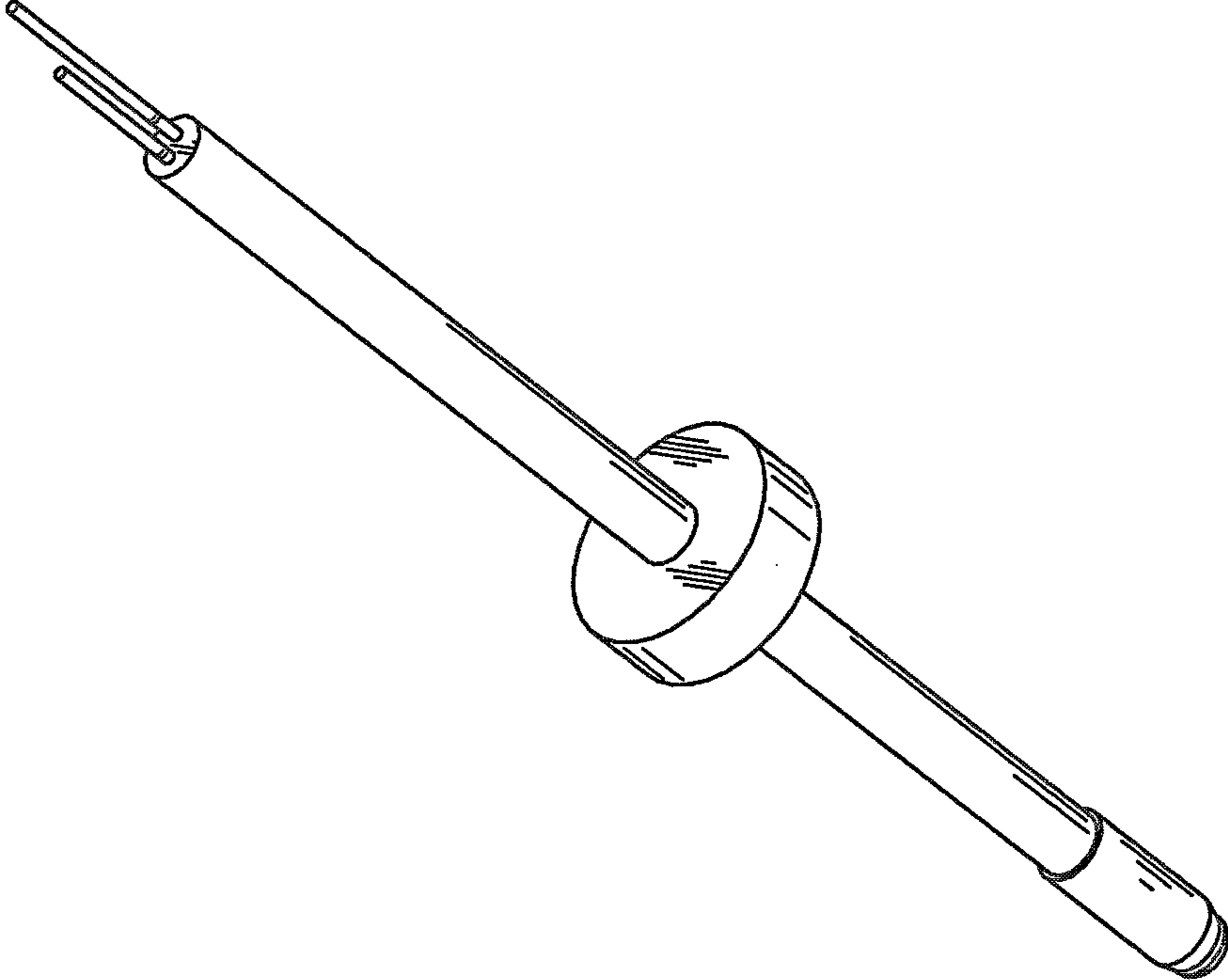


FIG. 1

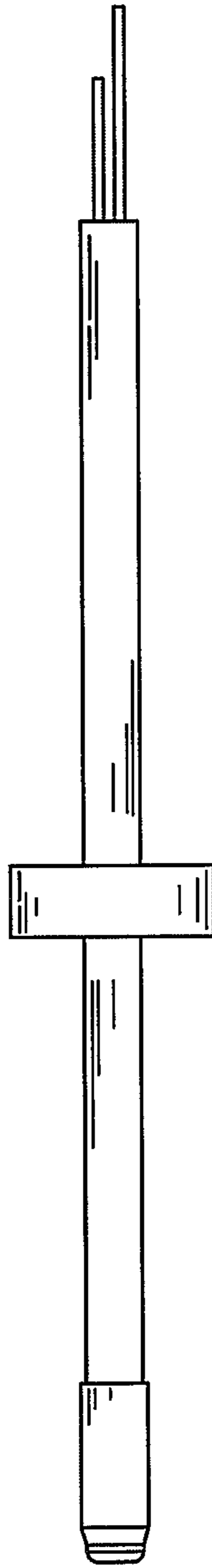


FIG. 2

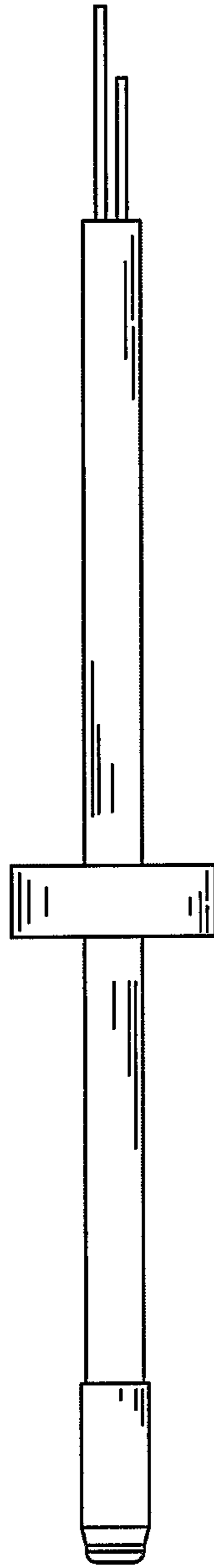


FIG. 3

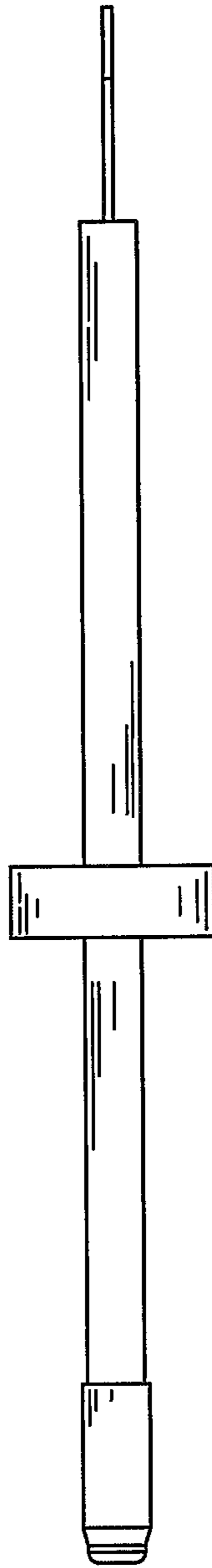


FIG. 4

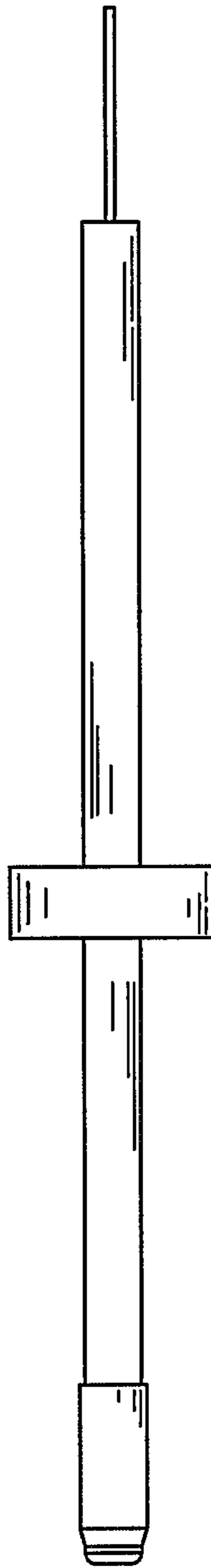


FIG. 5

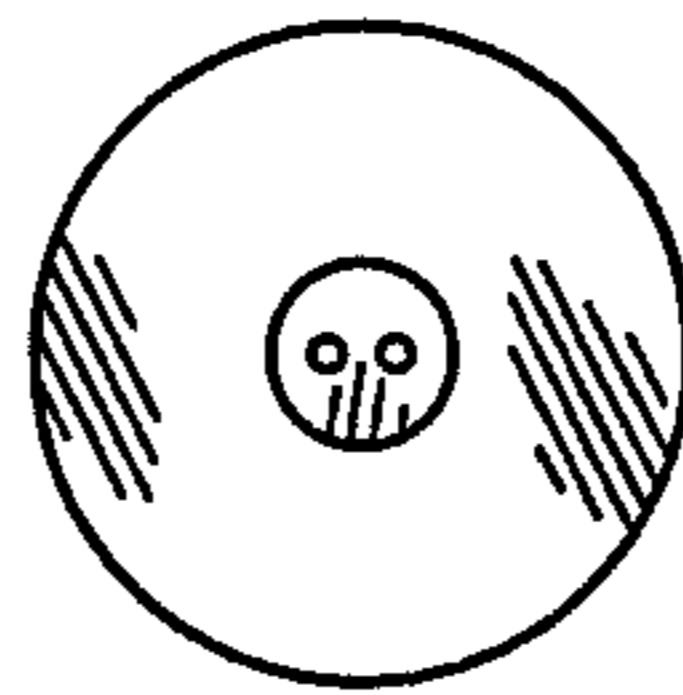


FIG. 6



FIG. 7

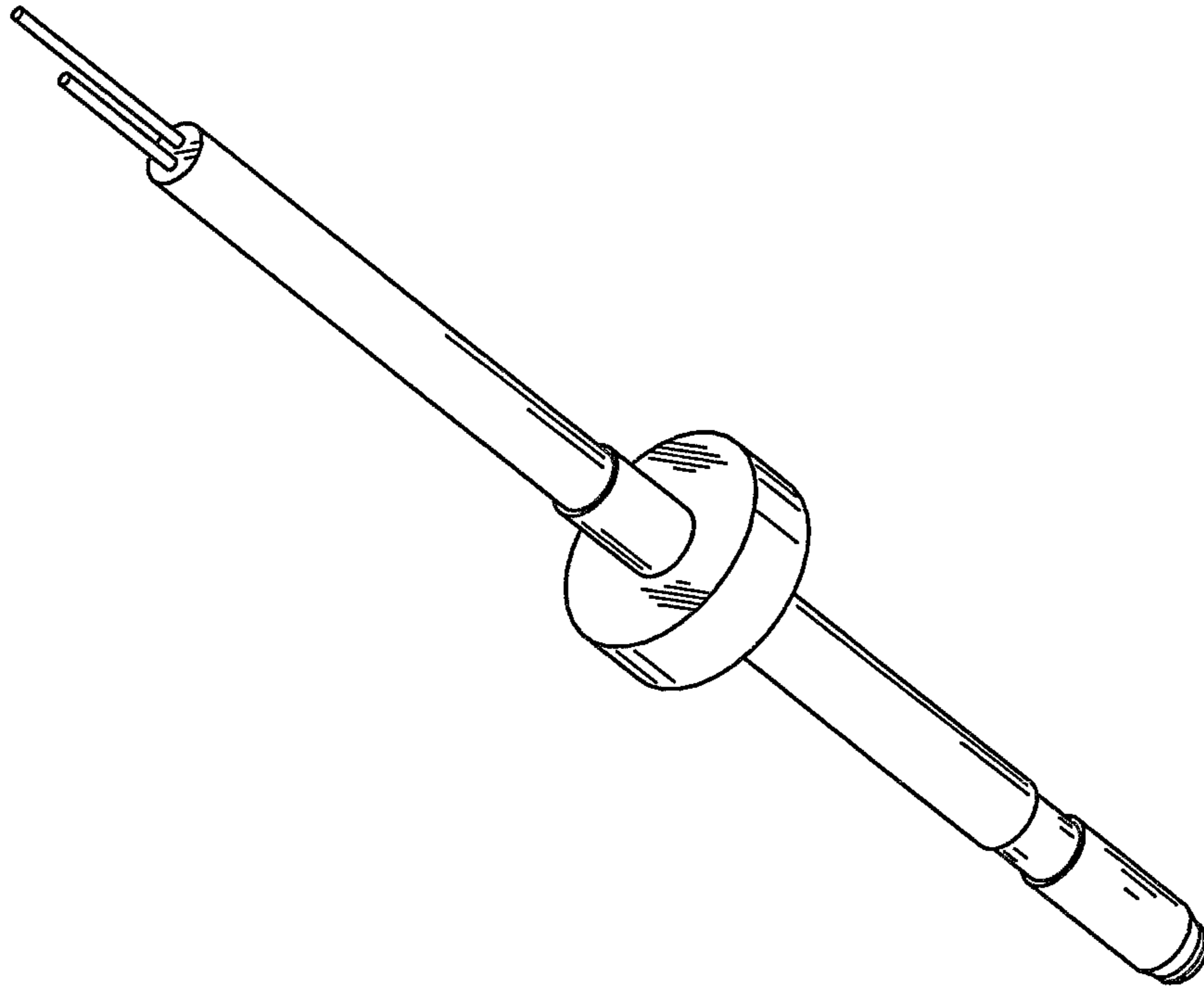


FIG. 8

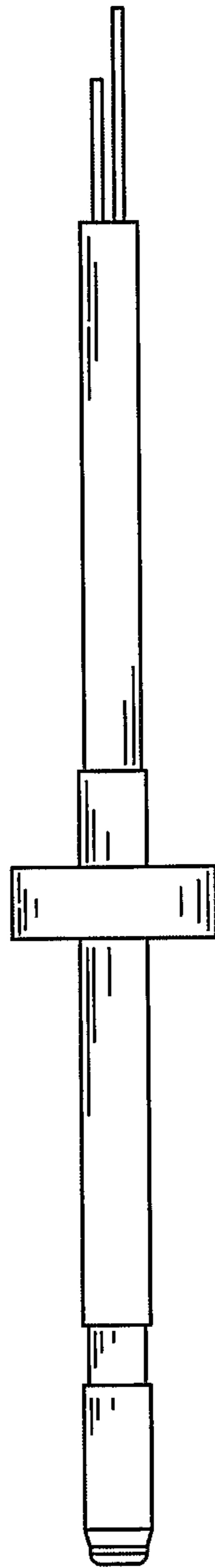


FIG. 9

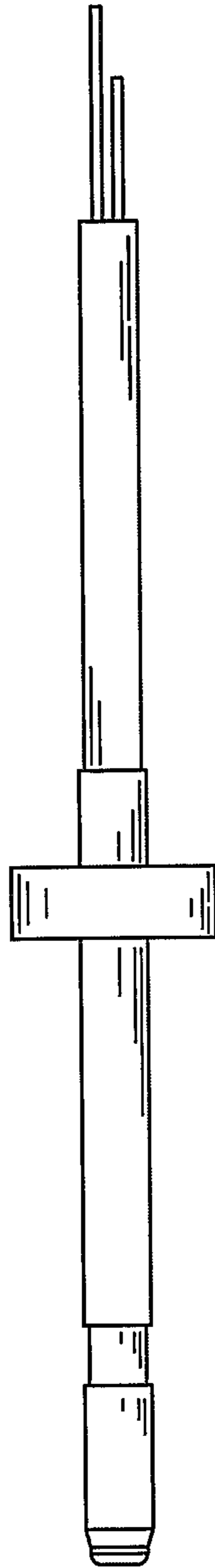


FIG. 10

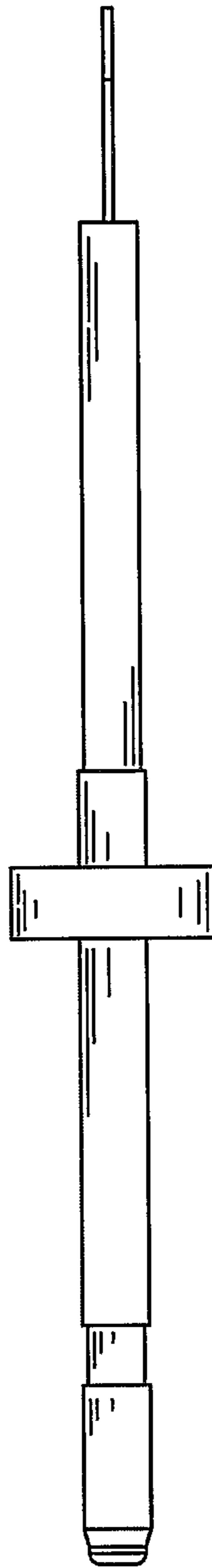


FIG. 11

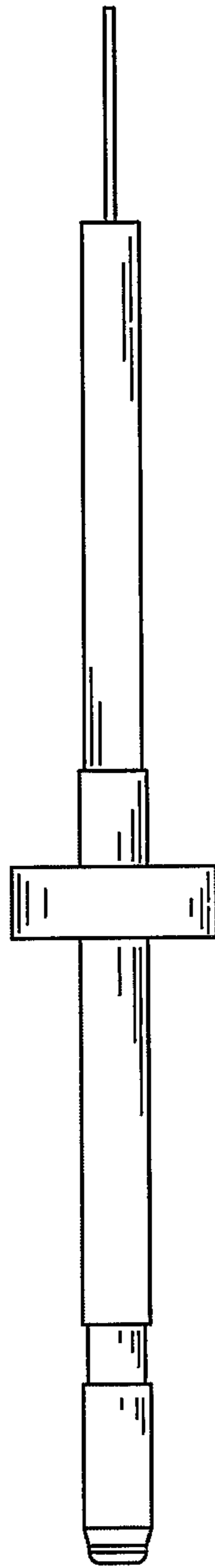


FIG. 12

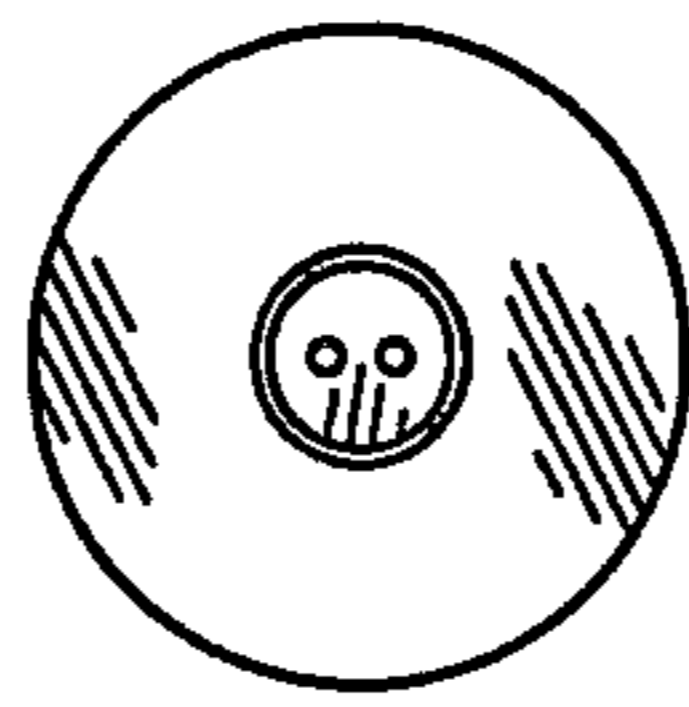


FIG. 13



FIG. 14