



US00D722889S

(12) **United States Design Patent**  
**Cline et al.**

(10) **Patent No.:** **US D722,889 S**  
(45) **Date of Patent:** **\*\* Feb. 24, 2015**

(54) **CONTAINER**

(71) Applicants: **Carrie Cline**, Milford, CT (US);  
**Cynthia Mockler**, North Haven, CT  
(US); **Craig Bures**, Prospect, CT (US)

(72) Inventors: **Carrie Cline**, Milford, CT (US);  
**Cynthia Mockler**, North Haven, CT  
(US); **Craig Bures**, Prospect, CT (US)

(\*\*) Term: **14 Years**

(21) Appl. No.: **29/461,416**

(22) Filed: **Jul. 23, 2013**

(51) **LOC (10) Cl.** ..... **09-01**

(52) **U.S. Cl.**  
USPC ..... **D9/672**; D11/125

(58) **Field of Classification Search**  
USPC ..... D9/600, 617, 672; 206/494, 457, 527,  
206/540, 830; 215/400; 220/260, 890;  
229/116.1, 116.2; D7/514-517, 519,  
D7/604, 606, 628; D11/121, 125, 129  
See application file for complete search history.

(56) **References Cited**

**U.S. PATENT DOCUMENTS**

D26,297 S \* 11/1896 Myers ..... D9/672  
D159,393 S \* 7/1950 Roche ..... D9/672  
D167,095 S \* 6/1952 Pennebaker ..... D9/672  
3,224,660 A \* 12/1965 Willis et al. .... D9/617  
D264,282 S \* 5/1982 Blavat ..... D11/125

D281,212 S \* 11/1985 Appleby ..... D11/125  
D283,147 S \* 3/1986 Yang ..... D11/129  
D337,899 S \* 8/1993 Mattikow ..... D6/407  
D536,747 S \* 2/2007 Barmes et al. .... D7/619.2  
D628,119 S \* 11/2010 Sandberg ..... D11/121  
D690,225 S \* 9/2013 DuBow ..... D11/125

\* cited by examiner

*Primary Examiner* — Sandra Morris

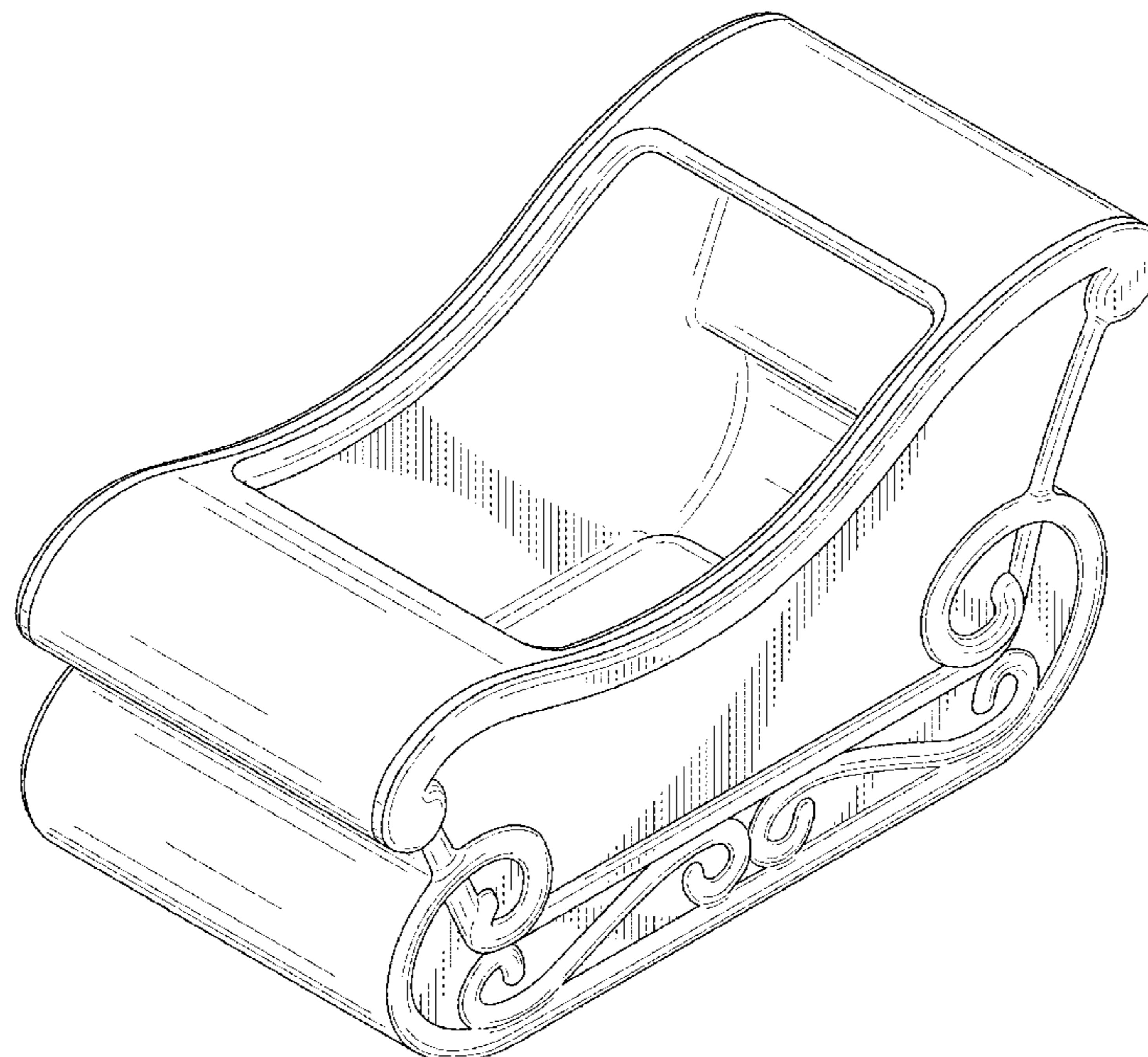
(57) **CLAIM**

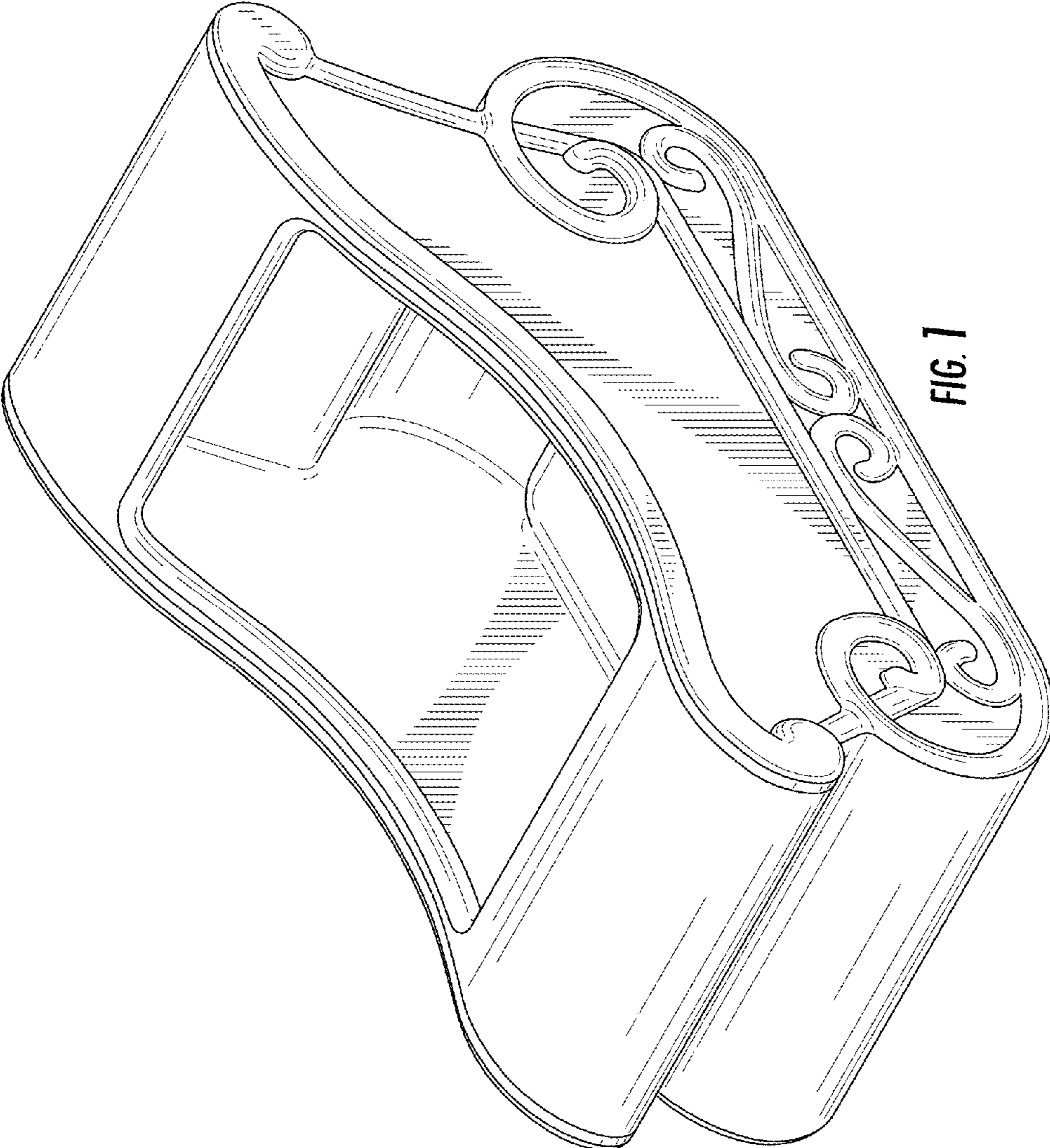
The ornamental design for a container, as shown and described.

**DESCRIPTION**

FIG. 1 is a front perspective view of a container according to the present invention;  
FIG. 2 is a front view of a container according to the present invention;  
FIG. 3 is a rear view of a container according to the present invention;  
FIG. 4 is a right view of a container according to the present invention;  
FIG. 5 is a left view of a container according to the present invention;  
FIG. 6 is a top view of a container according to the present invention;  
FIG. 7 is a bottom view of a container according to the present invention; and,  
FIG. 8 is a rear prospective view of a container according to the present invention.

**1 Claim, 7 Drawing Sheets**





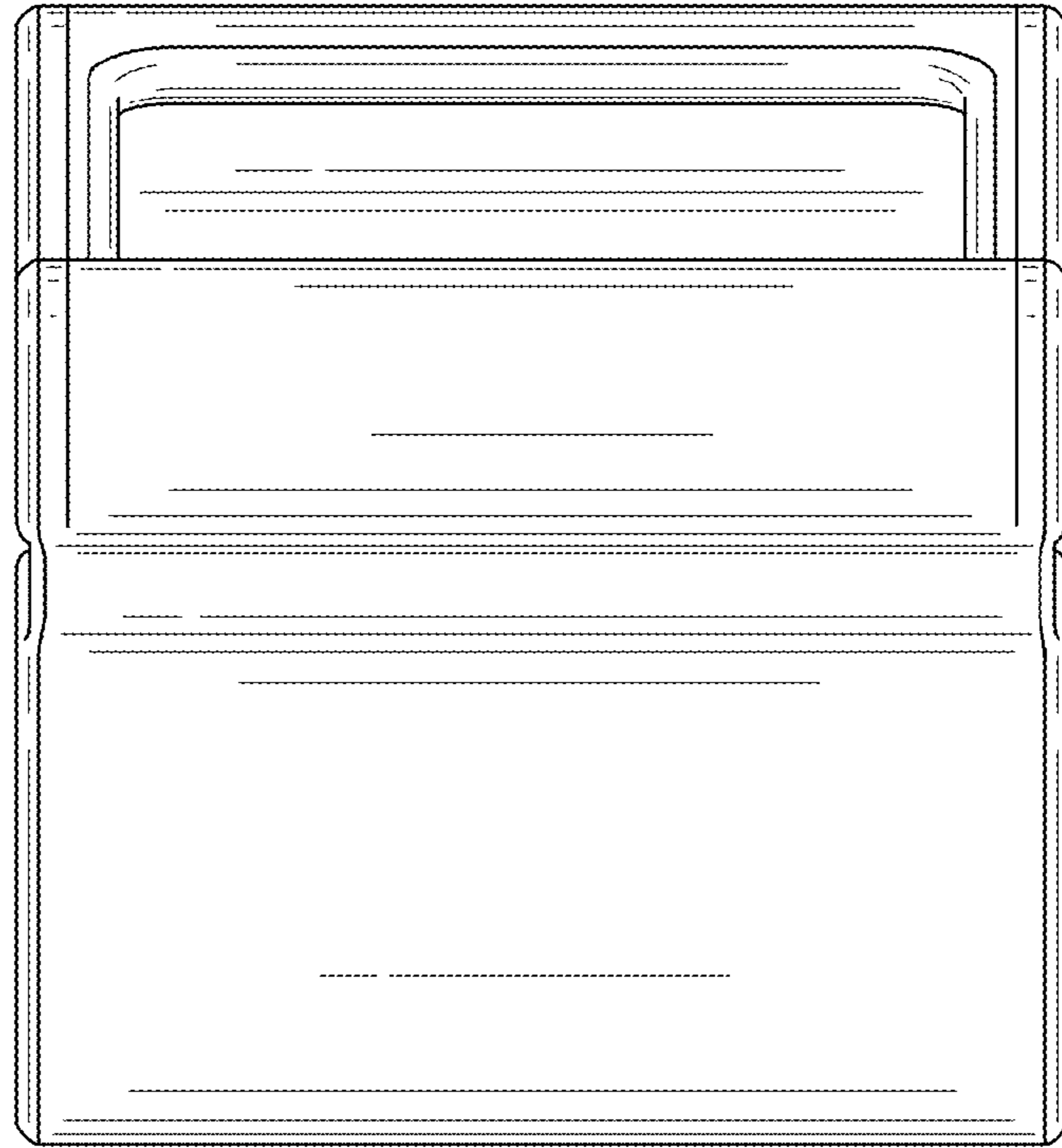


FIG. 2

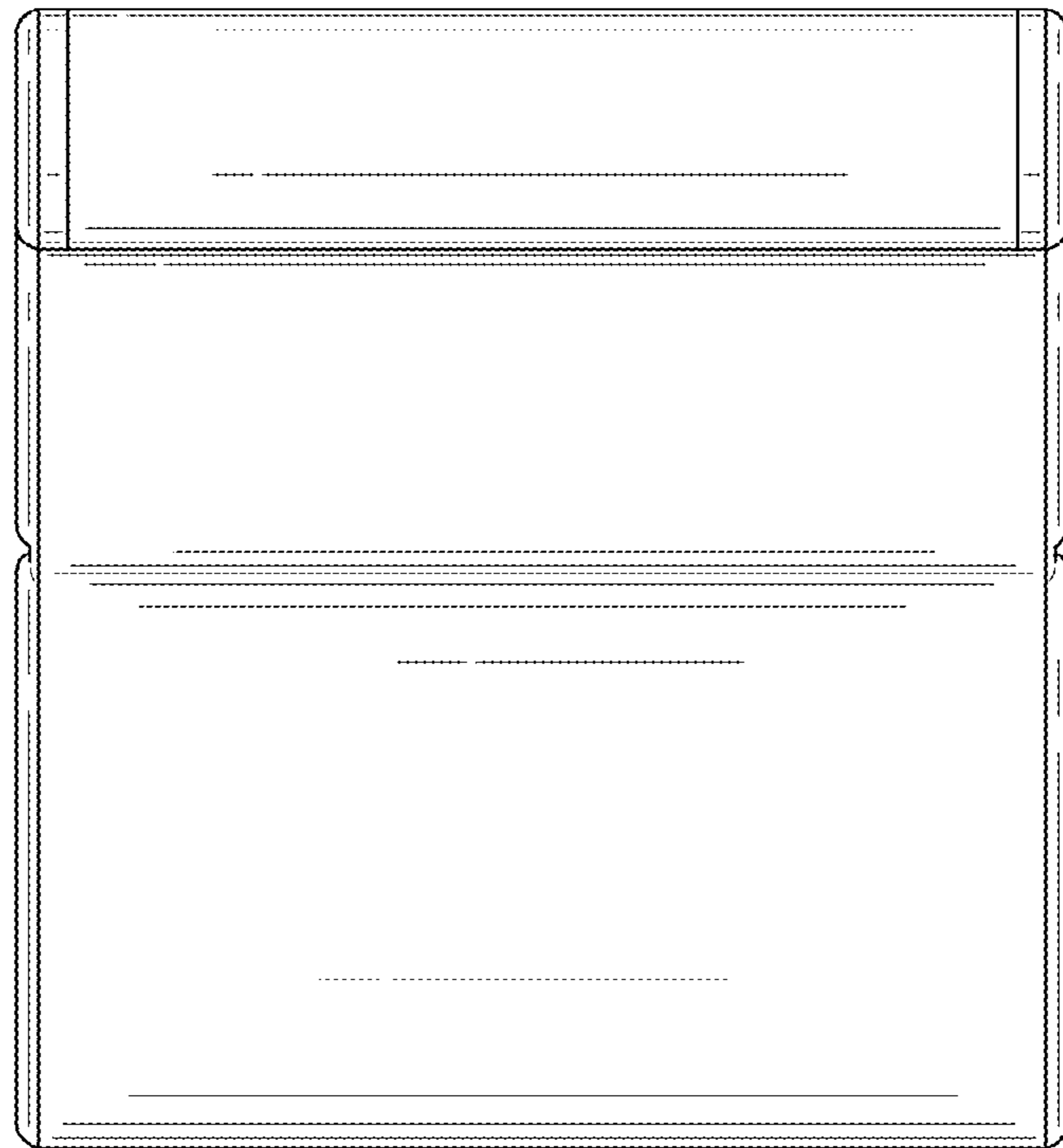


FIG. 3



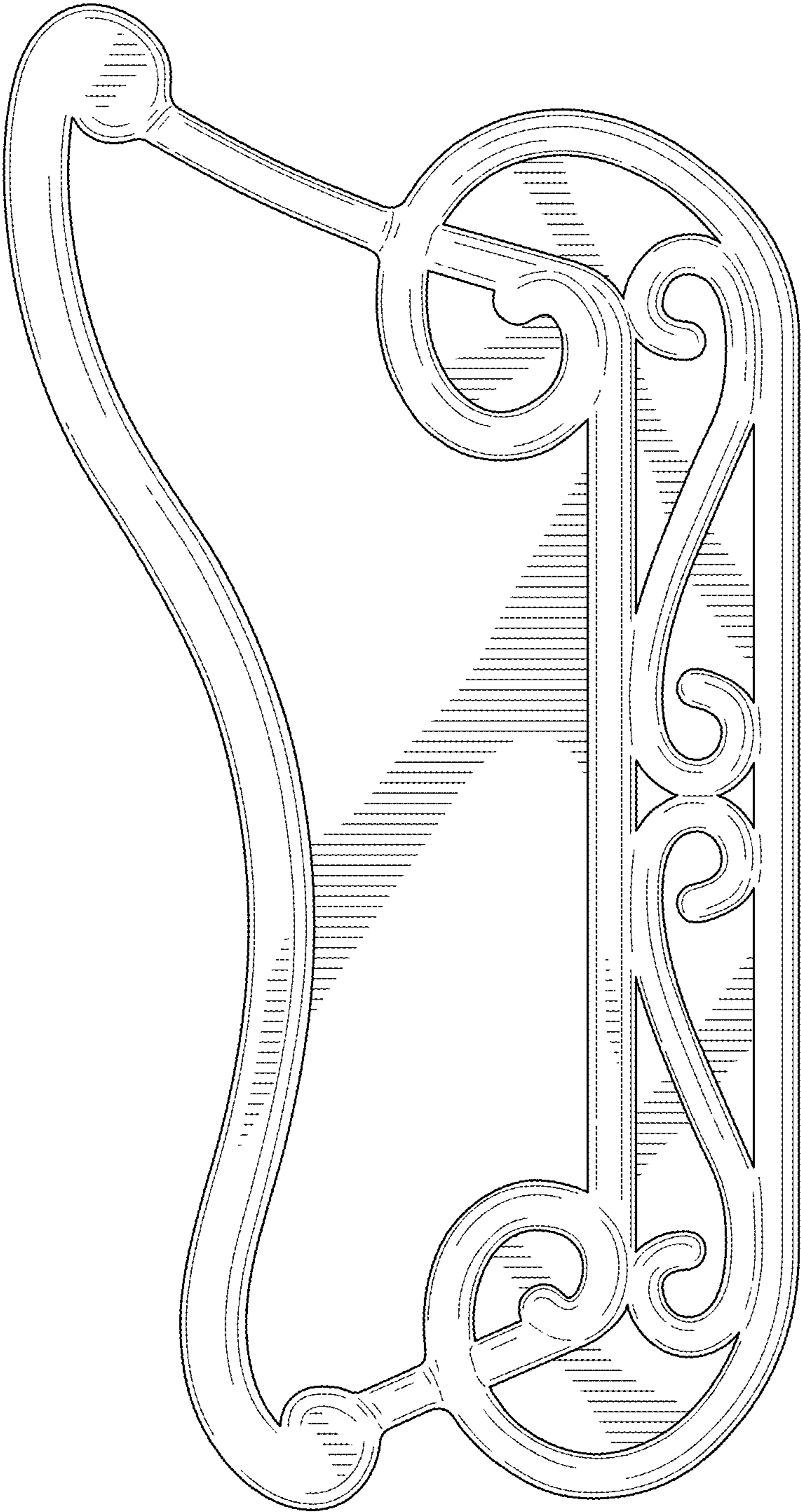


FIG. 4

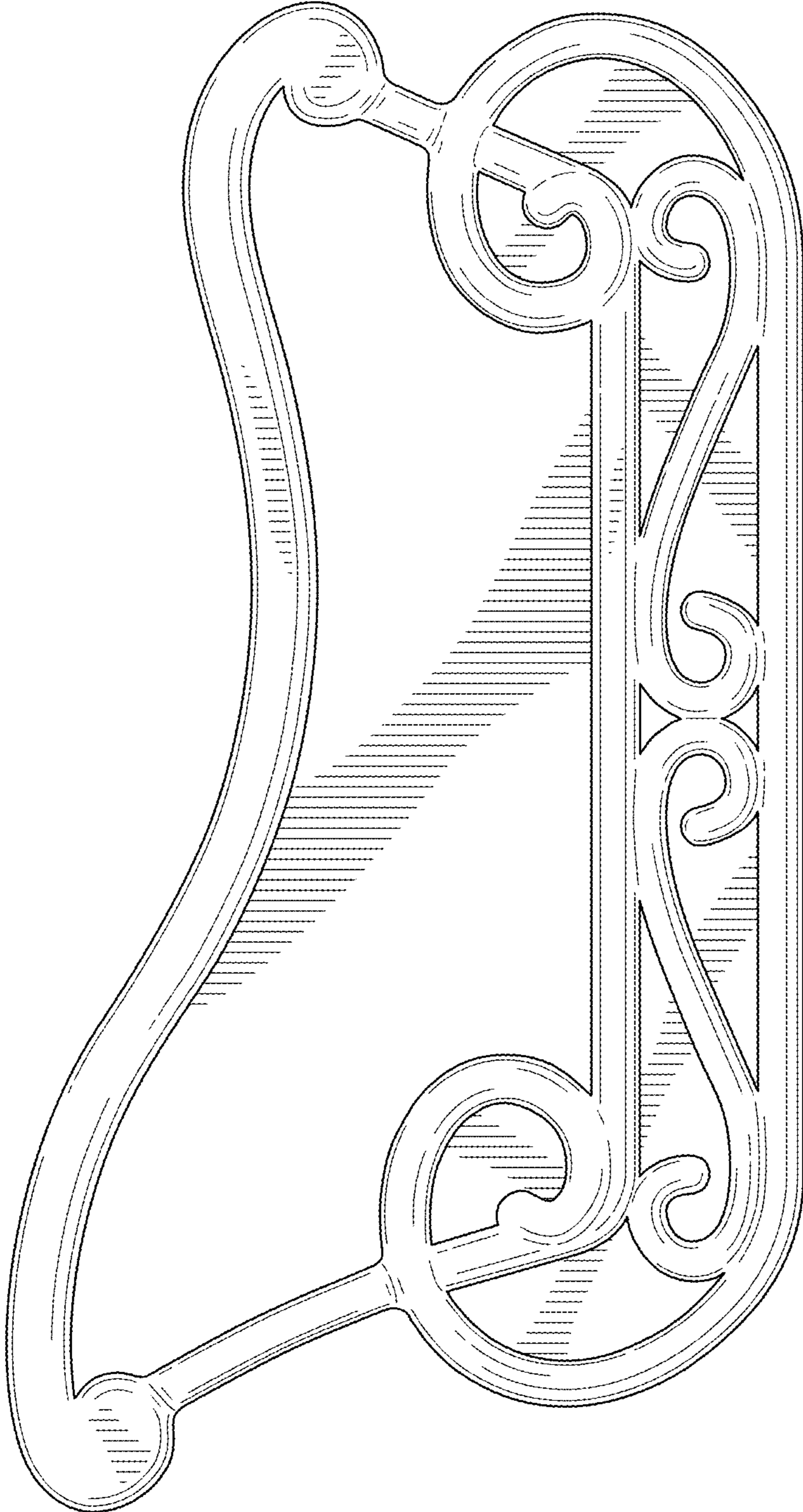
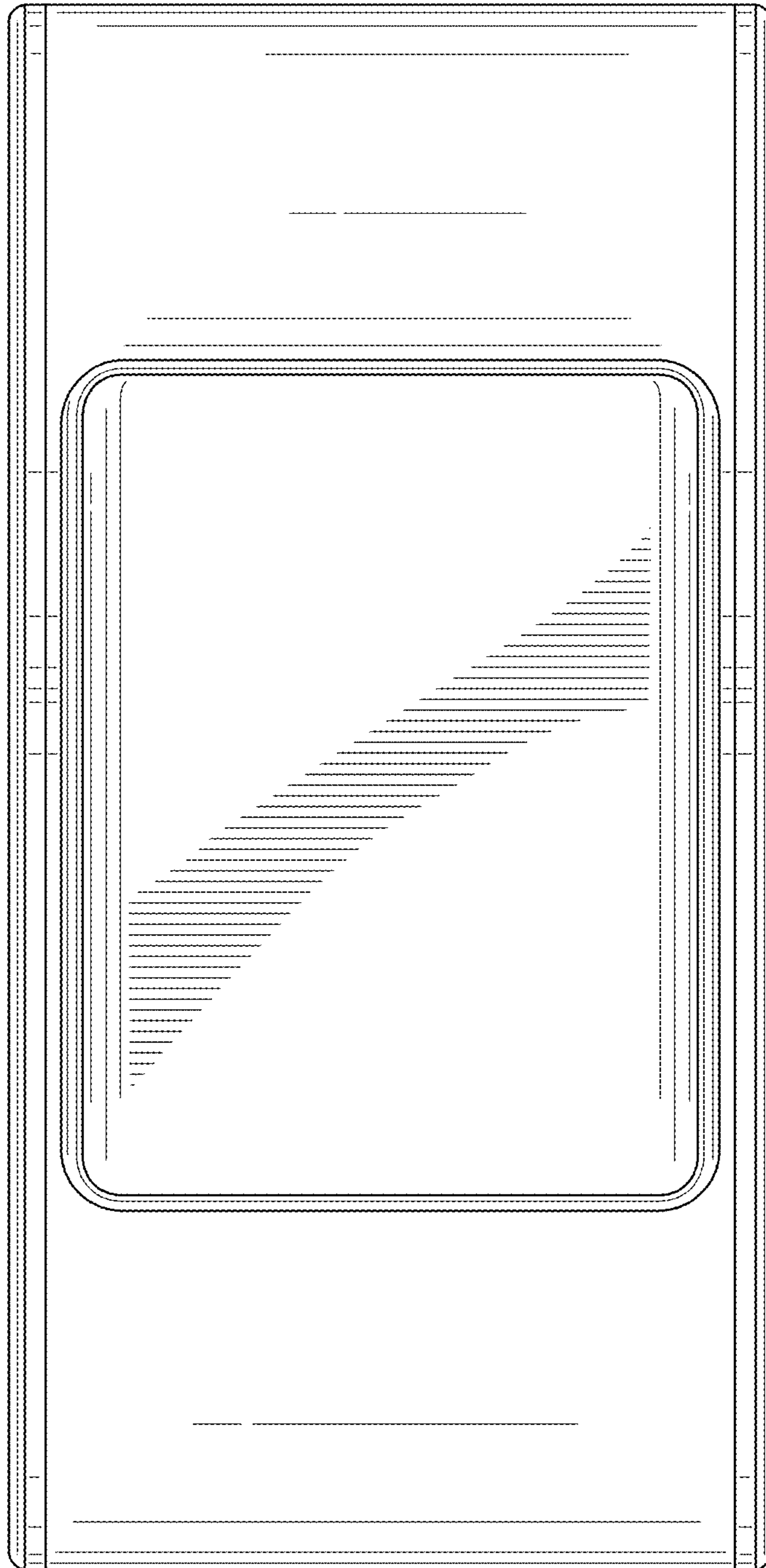
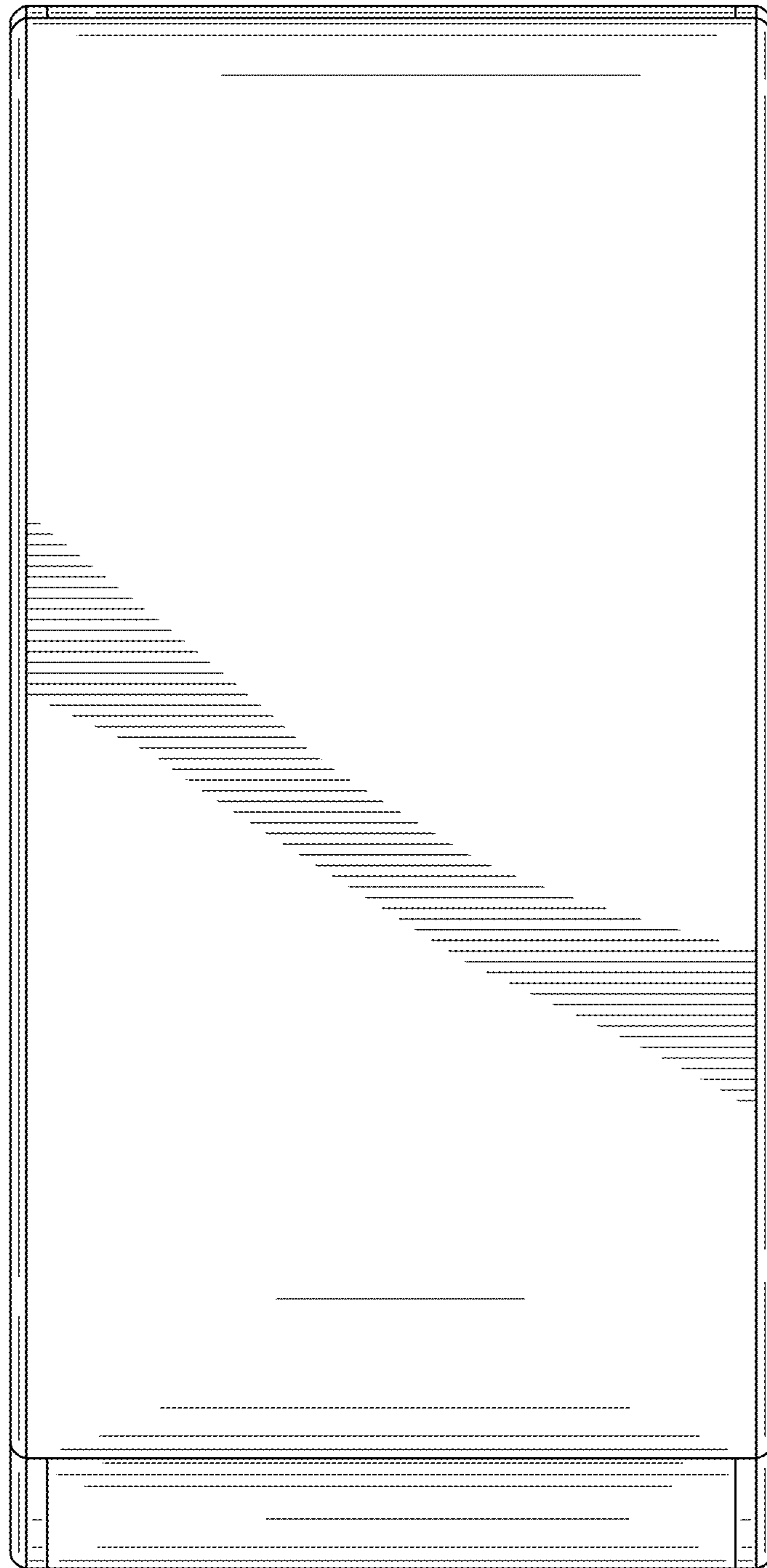


FIG. 5



**FIG. 6**



**FIG. 7**



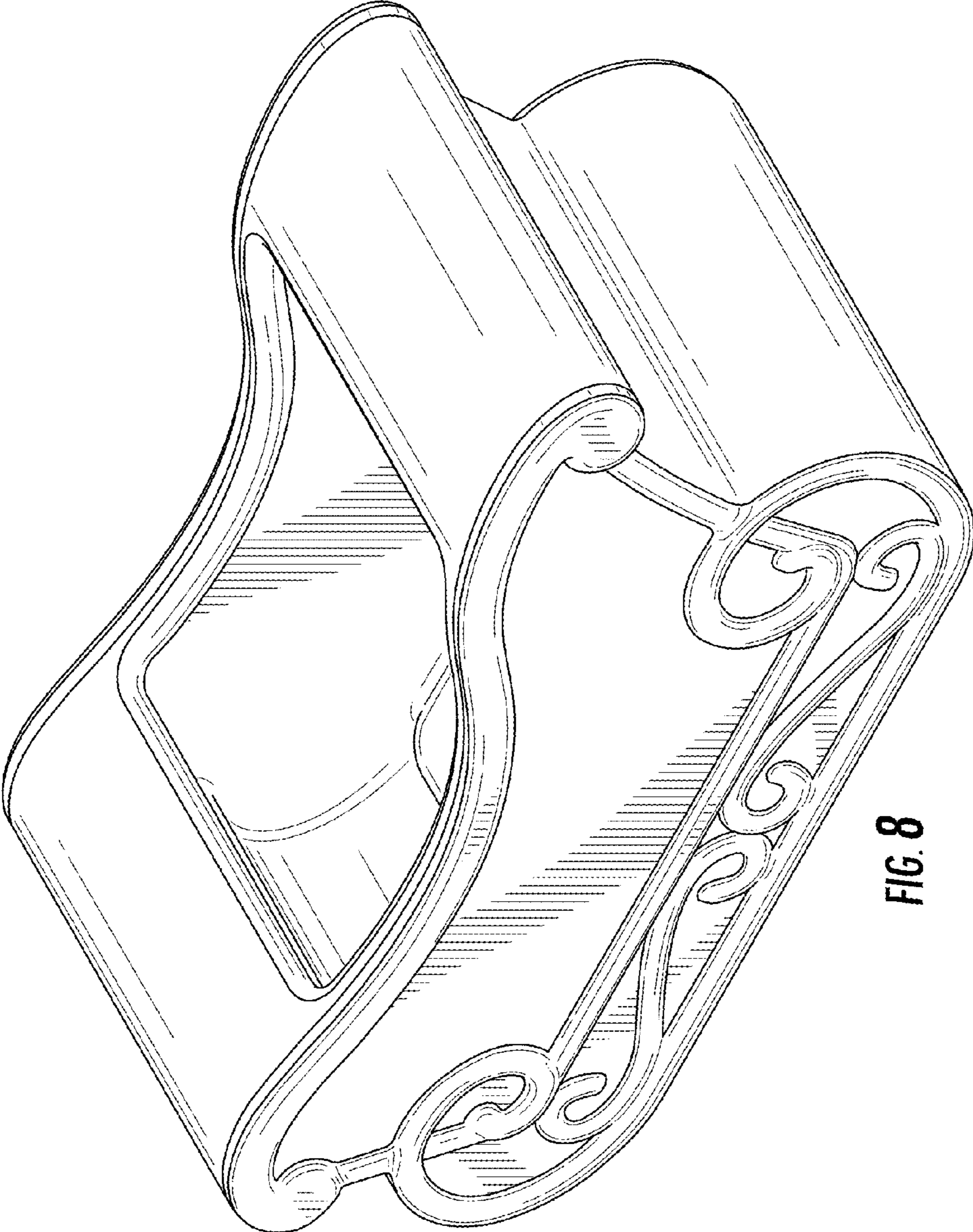


FIG. 8