

US00D722888S

(12) **United States Design Patent**
Newcomer

(10) **Patent No.:** **US D722,888 S**

(45) **Date of Patent:** **** Feb. 24, 2015**

(54) **CONTAINER**

(56) **References Cited**

U.S. PATENT DOCUMENTS

(71) Applicant: **Bradley D. Newcomer**, Point Pleasant,
PA (US)

4,328,755 A *	5/1982	Frost	102/486
D472,800 S *	4/2003	Levanen et al.	D9/680
D660,177 S *	5/2012	Ferenc	D9/680
D662,425 S *	6/2012	Barratt	D9/680
D669,362 S *	10/2012	Lam	D9/680
D683,235 S	5/2013	Albert	

(72) Inventor: **Bradley D. Newcomer**, Point Pleasant,
PA (US)

* cited by examiner

(**) Term: **14 Years**

Primary Examiner — Sandra Morris

(21) Appl. No.: **29/461,264**

(74) *Attorney, Agent, or Firm* — QuickPatents; Kevin Prince

(57) **CLAIM**

I claim the ornamental design for a container, as shown and described.

(22) Filed: **Jul. 19, 2013**

DESCRIPTION

(51) **LOC (10) Cl.** **09-01**

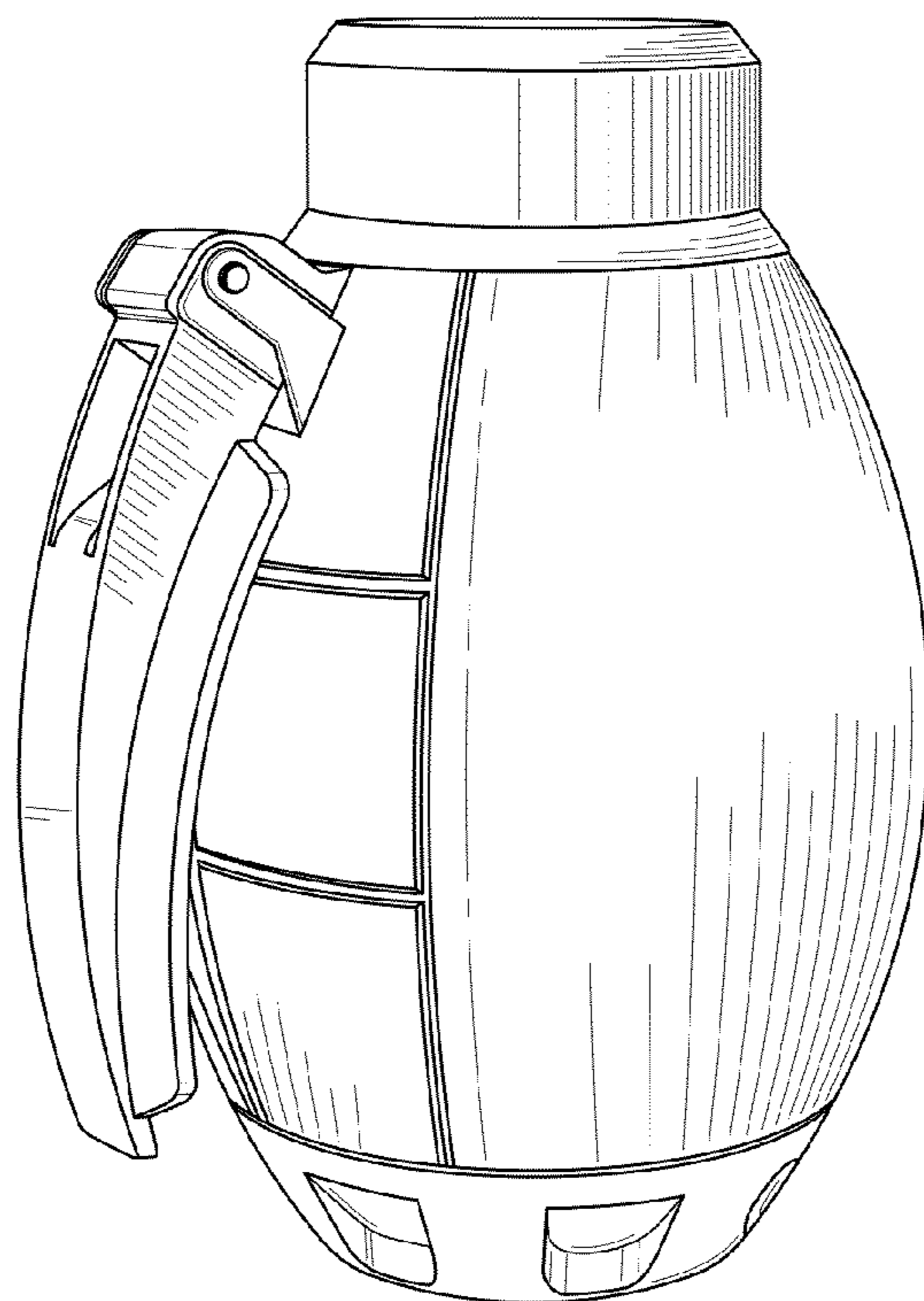
(52) **U.S. Cl.**
USPC **D9/668**

(58) **Field of Classification Search**
USPC D9/600, 633, 680; 206/494, 457, 527,
206/540, 830; 215/400; 220/260, 890;
229/116.1, 116.2; D7/314, 318,
D7/398-599

FIG. 1 is a perspective view of a container, showing my new design;
FIG. 2 is a right-side elevational view thereof;
FIG. 3 is a left-side elevational view thereof;
FIG. 4 is a rear elevational view thereof;
FIG. 5 is a front elevational view thereof; and,
FIG. 6 is a top plan view thereof.

See application file for complete search history.

1 Claim, 3 Drawing Sheets



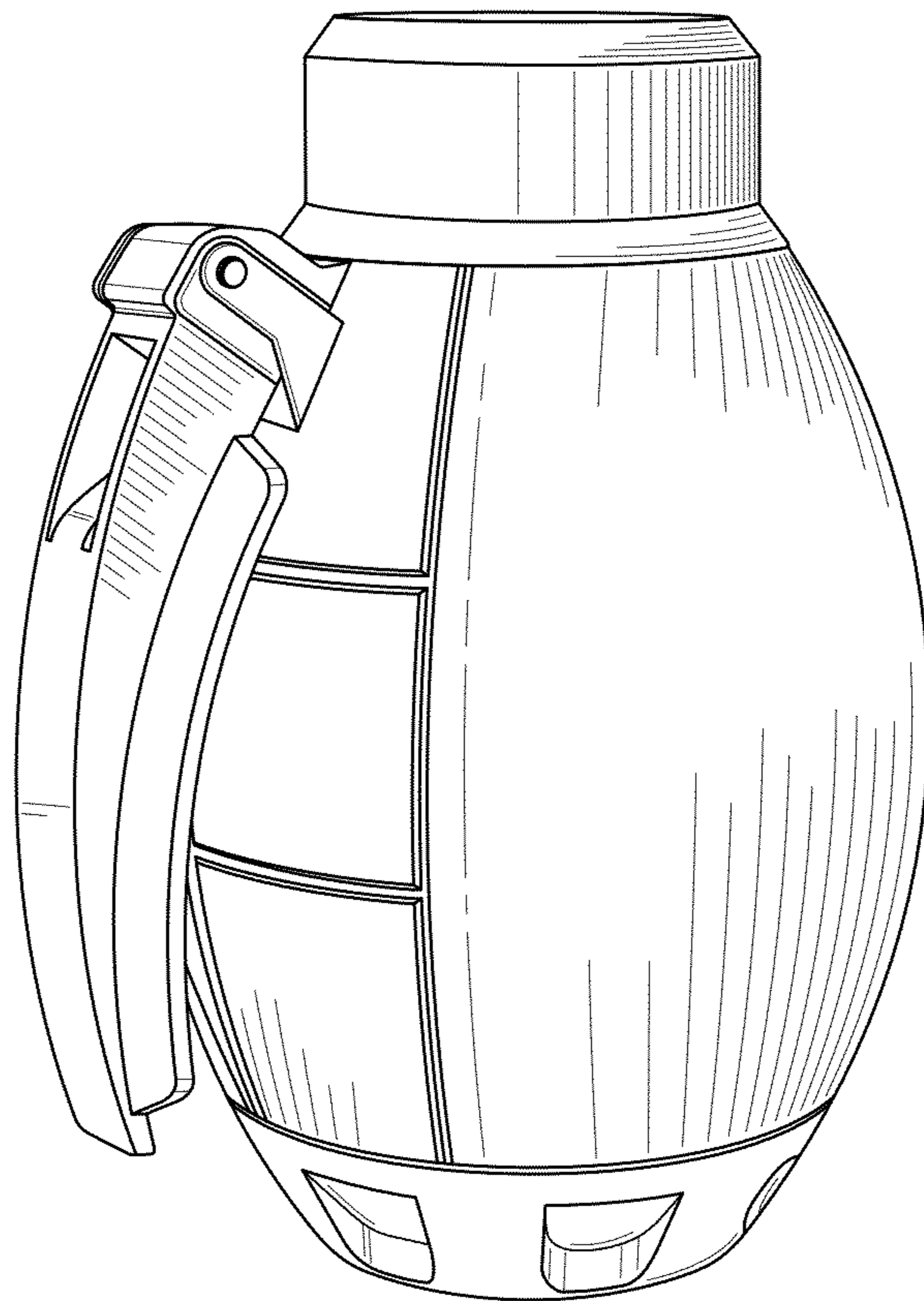


FIG. 1

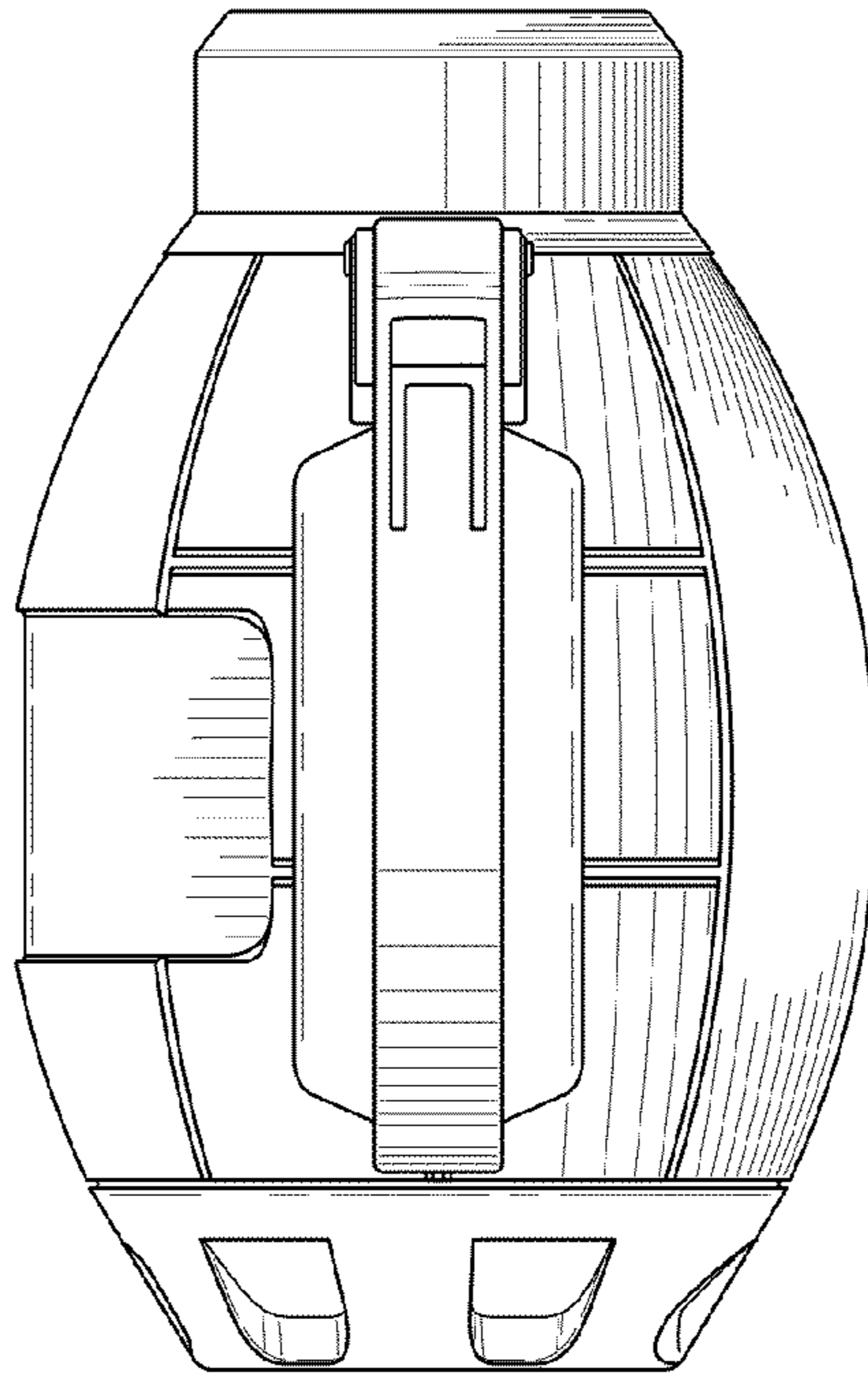


FIG. 2

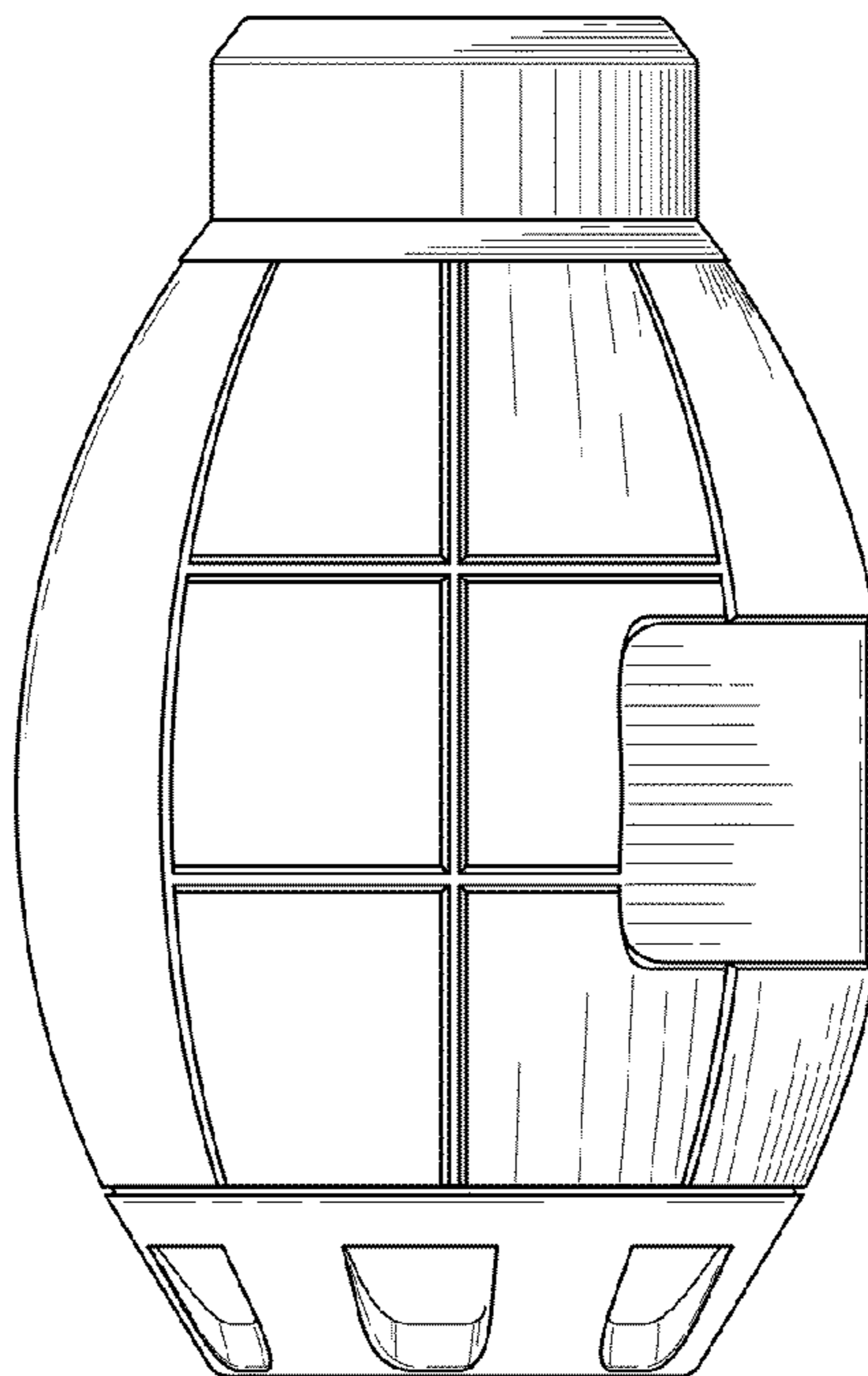


FIG. 3

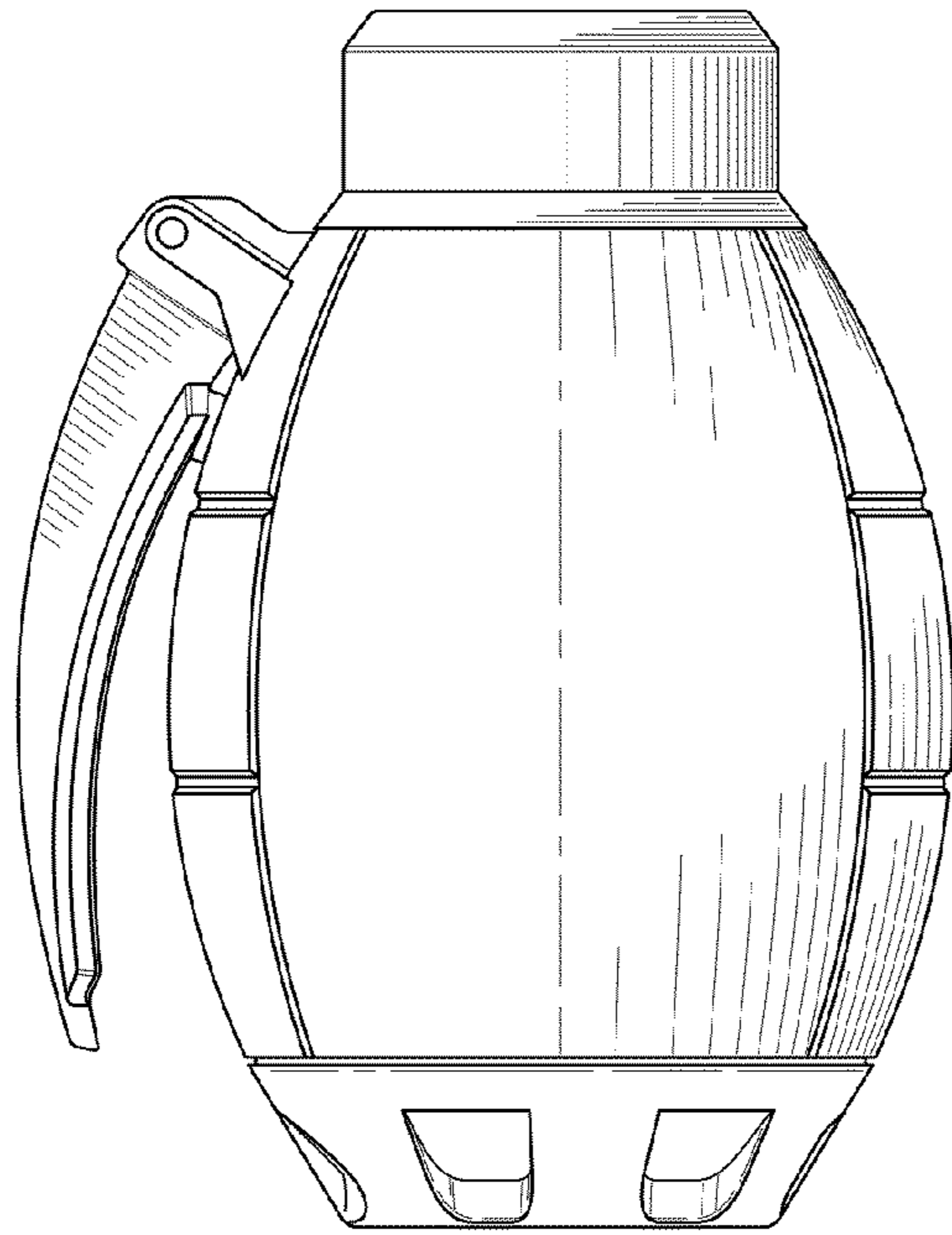


FIG. 4

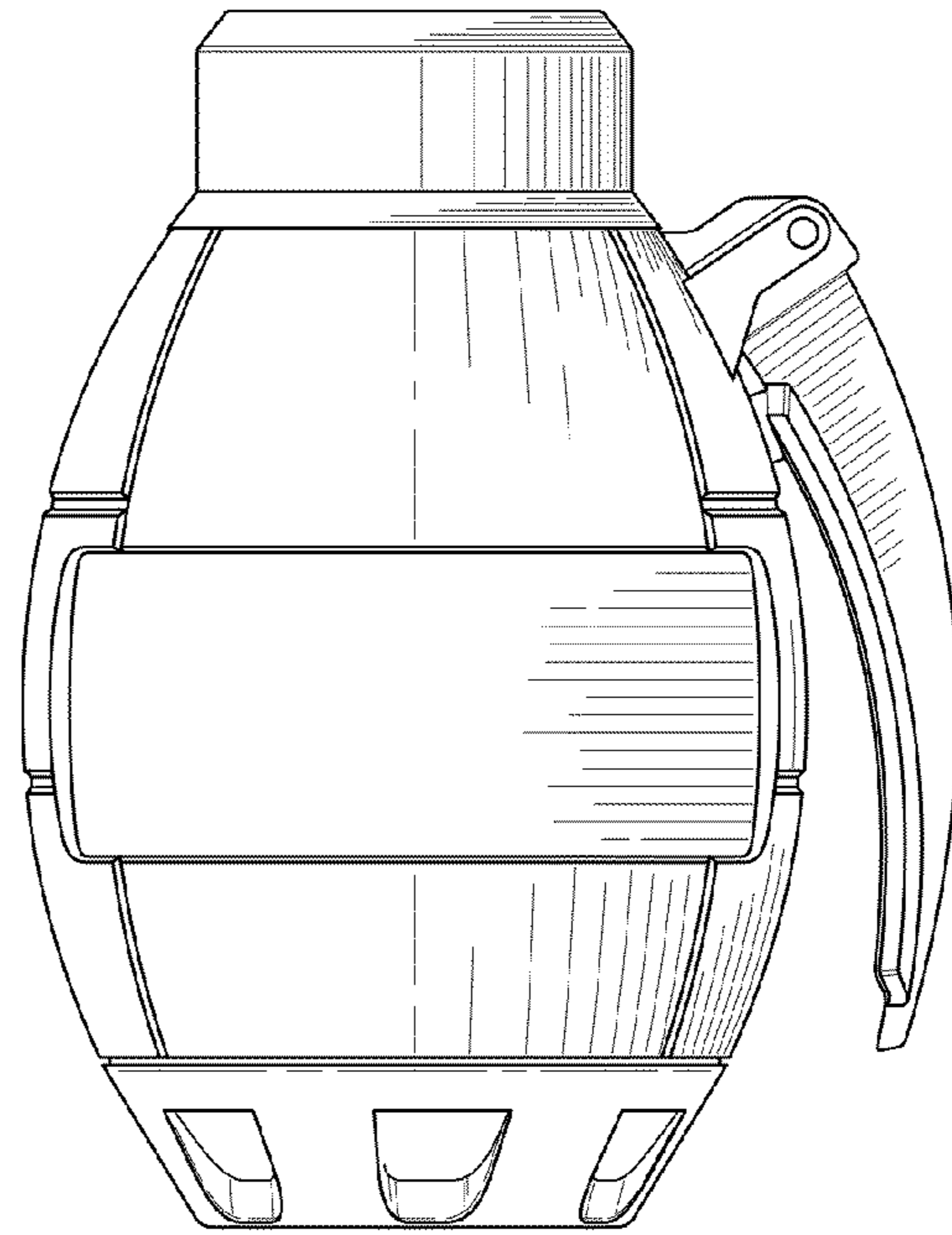


FIG. 5

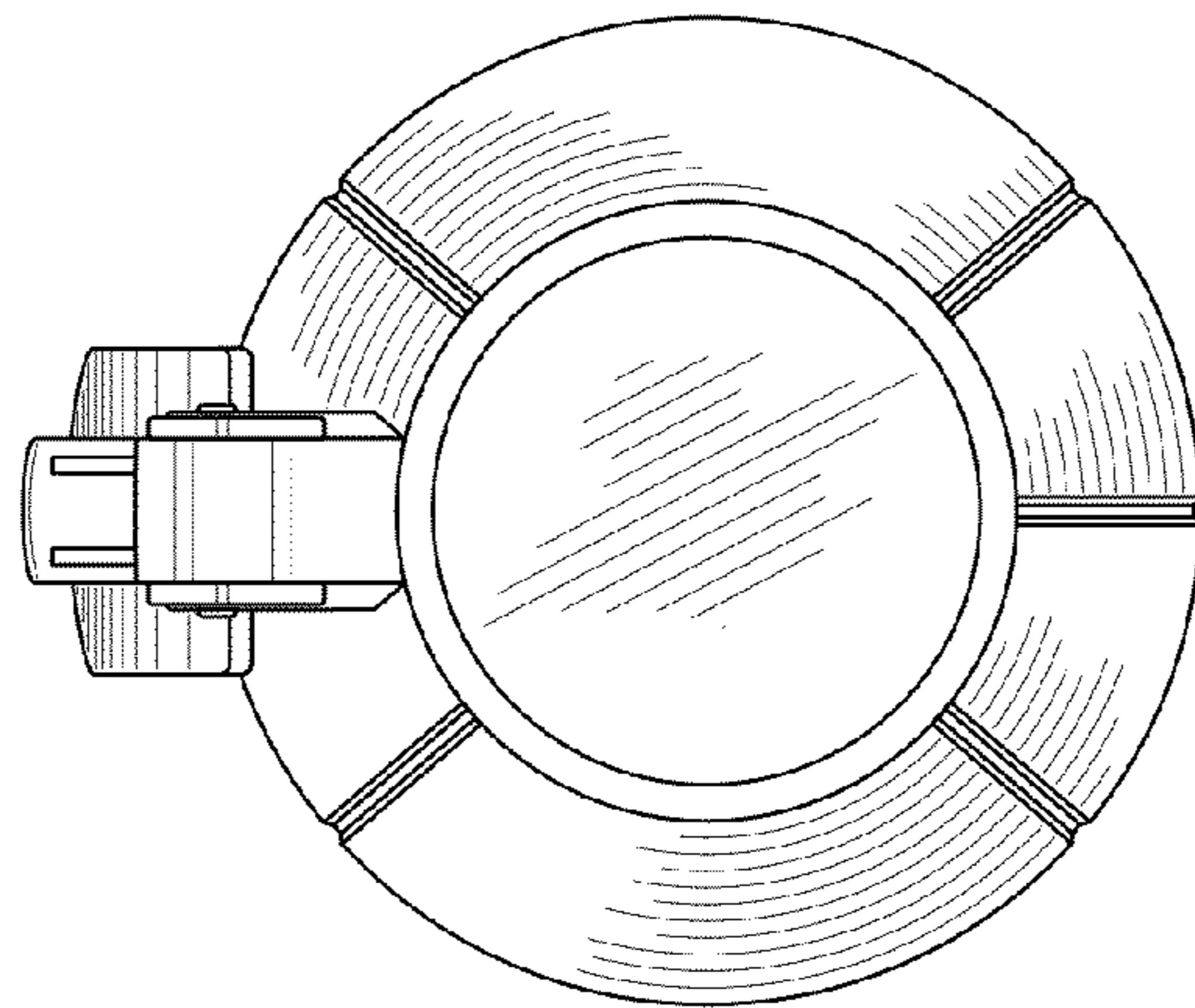


FIG. 6