



US00D722884S

(12) **United States Design Patent**
Eble

(10) **Patent No.:** **US D722,884 S**

(45) **Date of Patent:** **** Feb. 24, 2015**

(54) **CONTAINER**

(75) **Inventor:** **Raymond C. Eble**, Sugarloaf, PA (US)

(73) **Assignee:** **Pretium Packaging, L.L.C.**,
Chesterfield, MO (US)

(**) **Term:** **14 Years**

(21) **Appl. No.:** **29/413,411**

(22) **Filed:** **Feb. 15, 2012**

(51) **LOC (10) Cl.** **09-01**

(52) **U.S. Cl.**
USPC **D9/543; D9/571**

(58) **Field of Classification Search**
CPC B65D 1/00; B65D 1/02; B65D 1/0223;
B65D 1/10; B65D 1/40; B65D 23/00; B65D
23/10; B65D 23/102; B65D 25/00; B65D
25/28; B65D 25/2882; B65D 25/2897
USPC D9/516, 530–531, 533, 543, 560,
D9/564–566, 569–572, 575; D7/601–602,
D7/612, 629, 598, 316–317; 215/379,
215/381–384; 220/660, 669, 675
See application file for complete search history.

(56) **References Cited**

U.S. PATENT DOCUMENTS

D464,879 S * 10/2002 Meeker et al. D9/424
D465,153 S * 11/2002 Meeker et al. D9/424

D480,974 S * 10/2003 Blank D9/543
D531,913 S * 11/2006 Heisner et al. D9/560
D607,743 S * 1/2010 Eble D9/559
D608,211 S * 1/2010 Eble D9/559
D641,246 S * 7/2011 Maas et al. D9/543
D701,769 S * 4/2014 Eble D9/560

* cited by examiner

Primary Examiner — Ian Simmons

Assistant Examiner — Dana L Meyrow

(74) *Attorney, Agent, or Firm* — Lewis, Rice & Fingersh,
L.C.

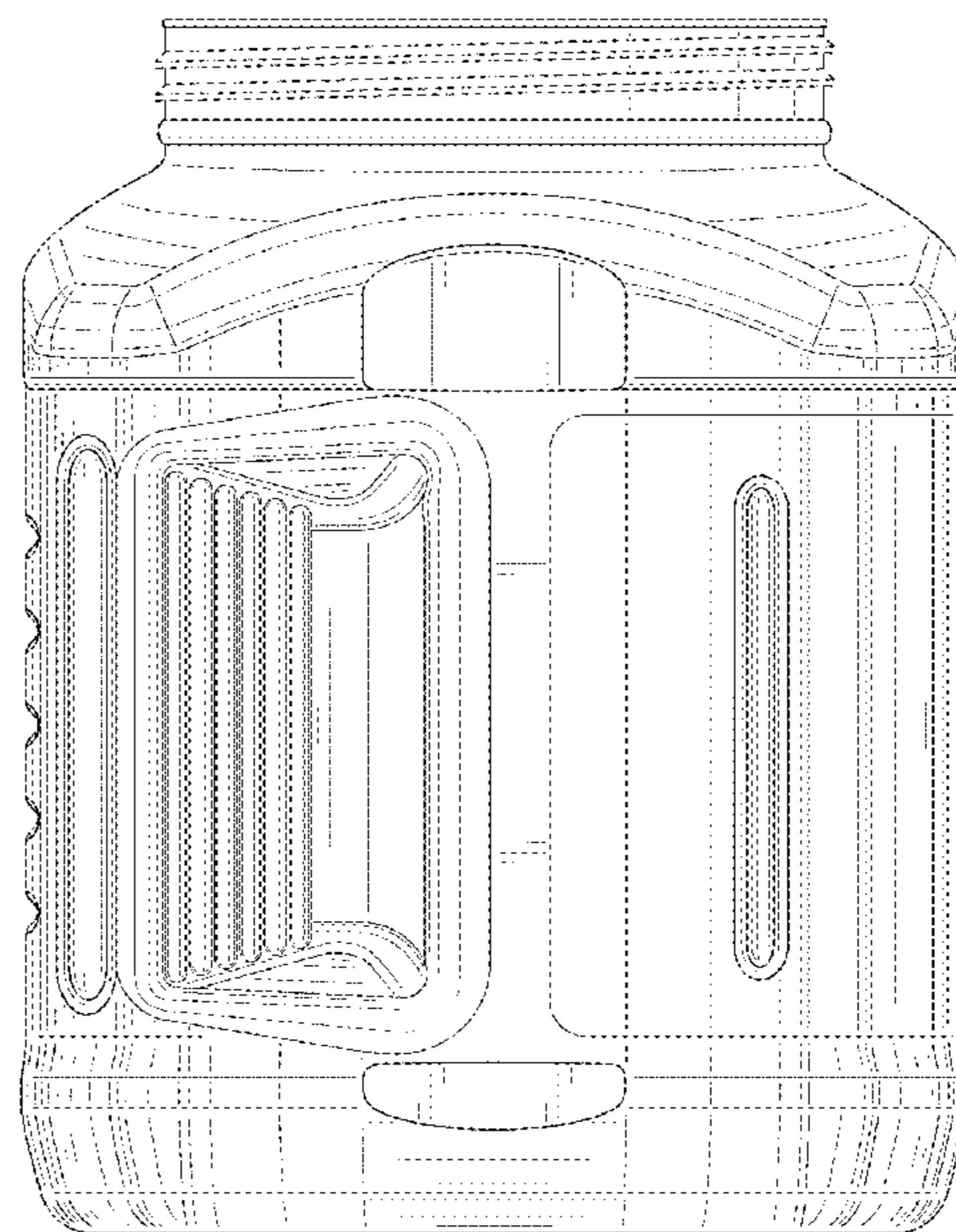
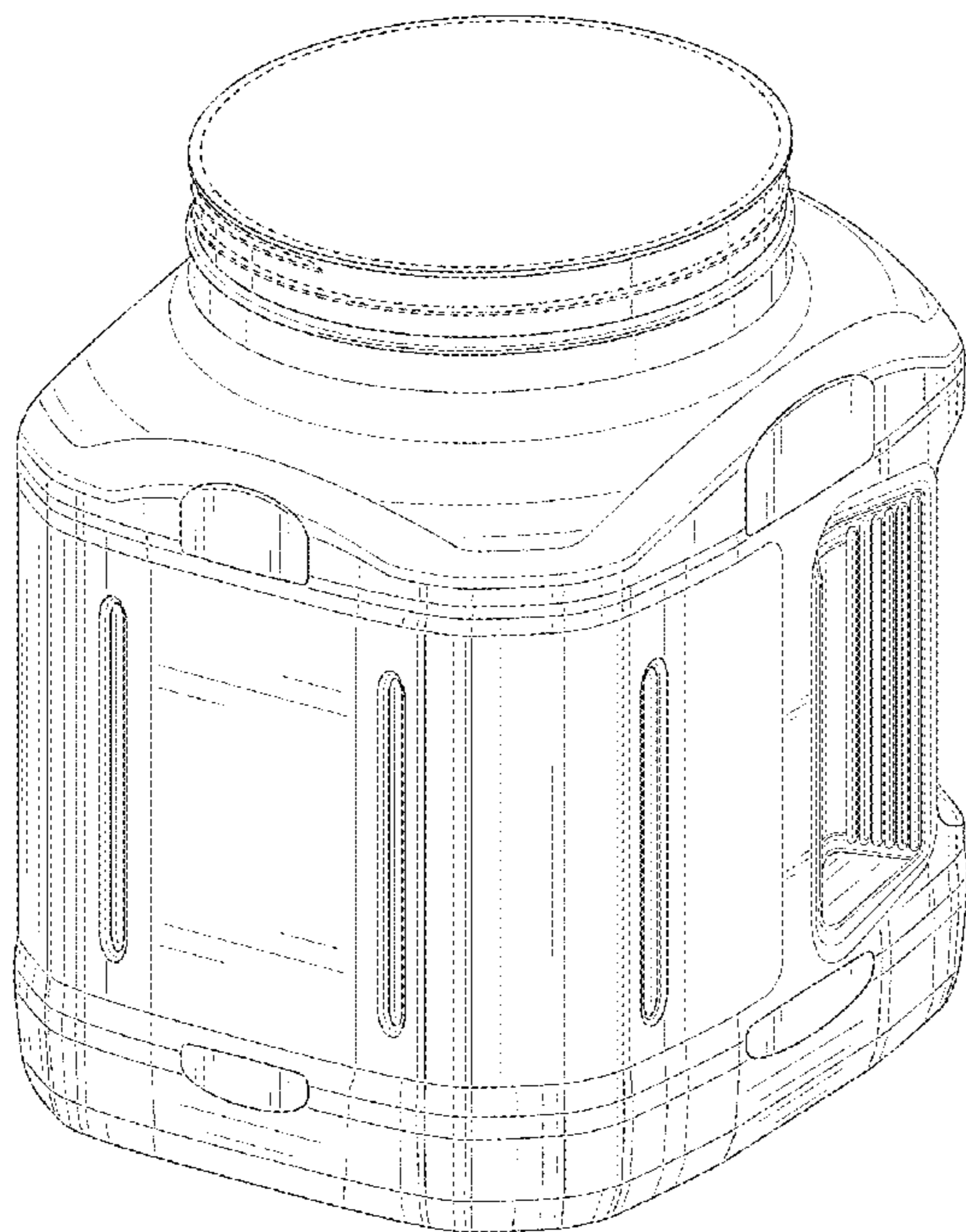
(57) **CLAIM**

The ornamental design for a container, as shown and described.

DESCRIPTION

FIG. 1 provides a front perspective view of a container.
FIG. 2 provides a front view of a container
FIG. 3 provides a rear view of a container.
FIG. 4 provides a right side view of a container.
FIG. 5 provides a left side view of a container.
FIG. 6 provides a top view of a container; and,
FIG. 7 provides a bottom view of a container.
The broken lines showing connectors for the lid, the container base, and the container rim are for illustrative purposes only and form no part of the claimed design.

1 Claim, 7 Drawing Sheets



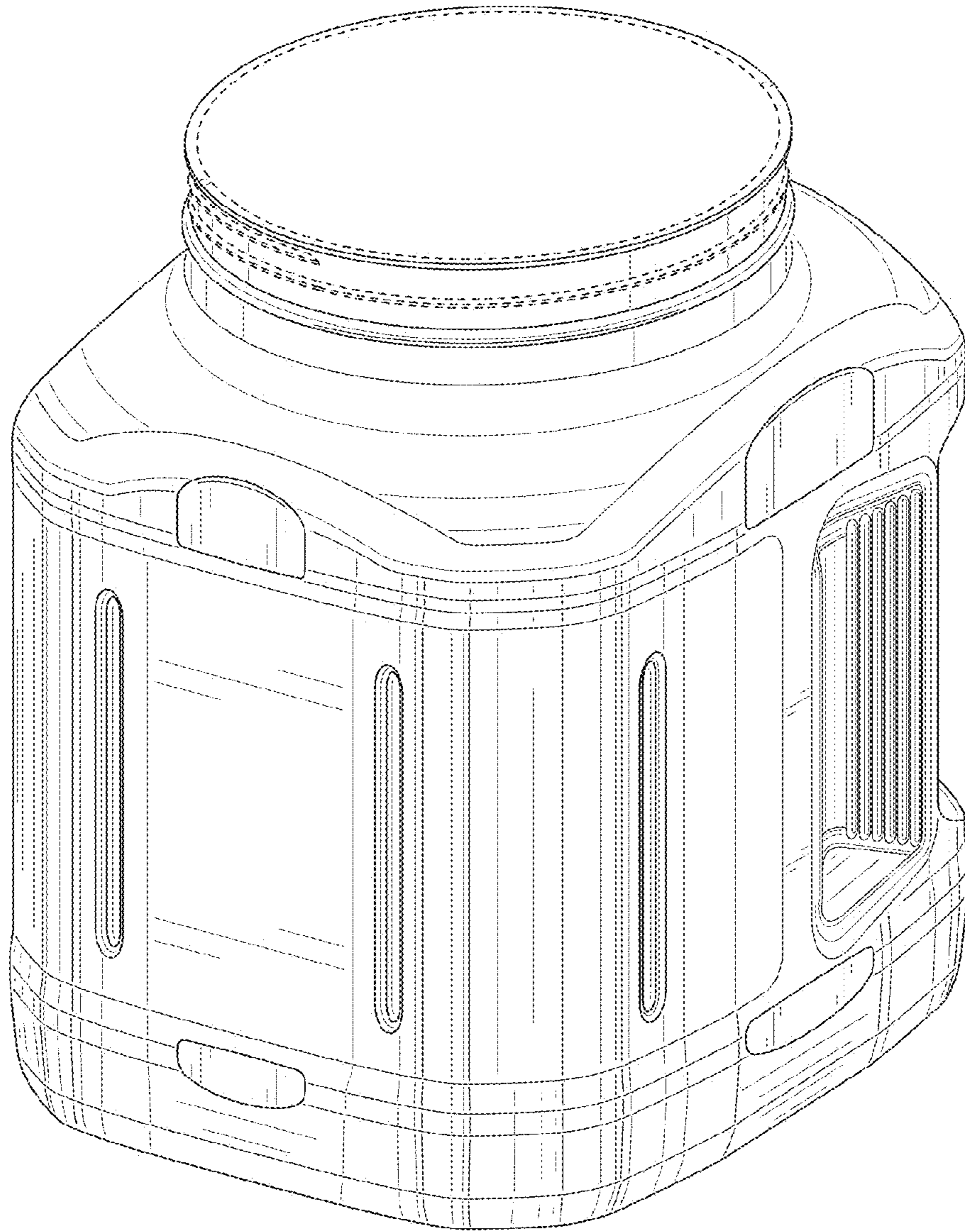


FIG. 1

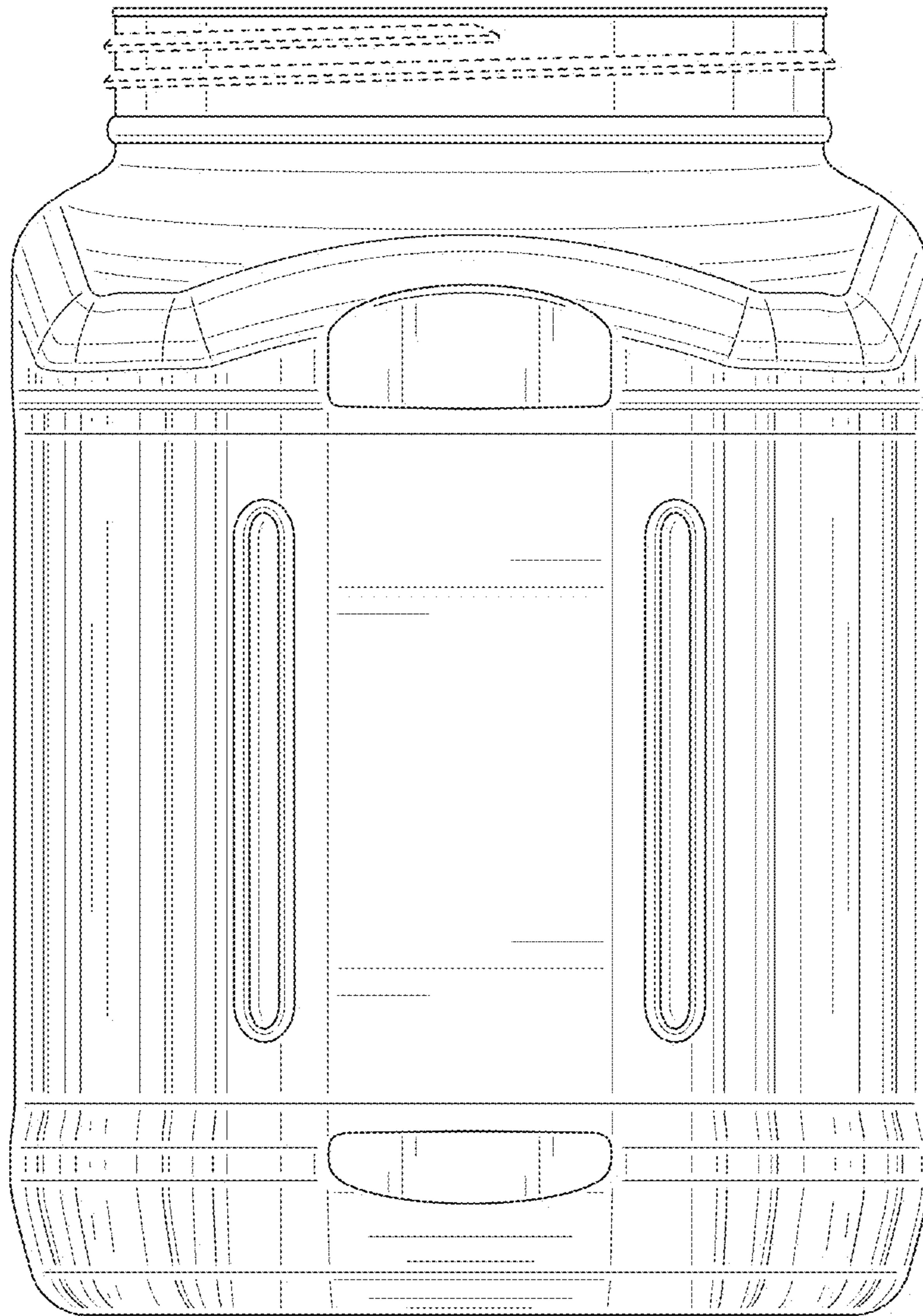


FIG. 2

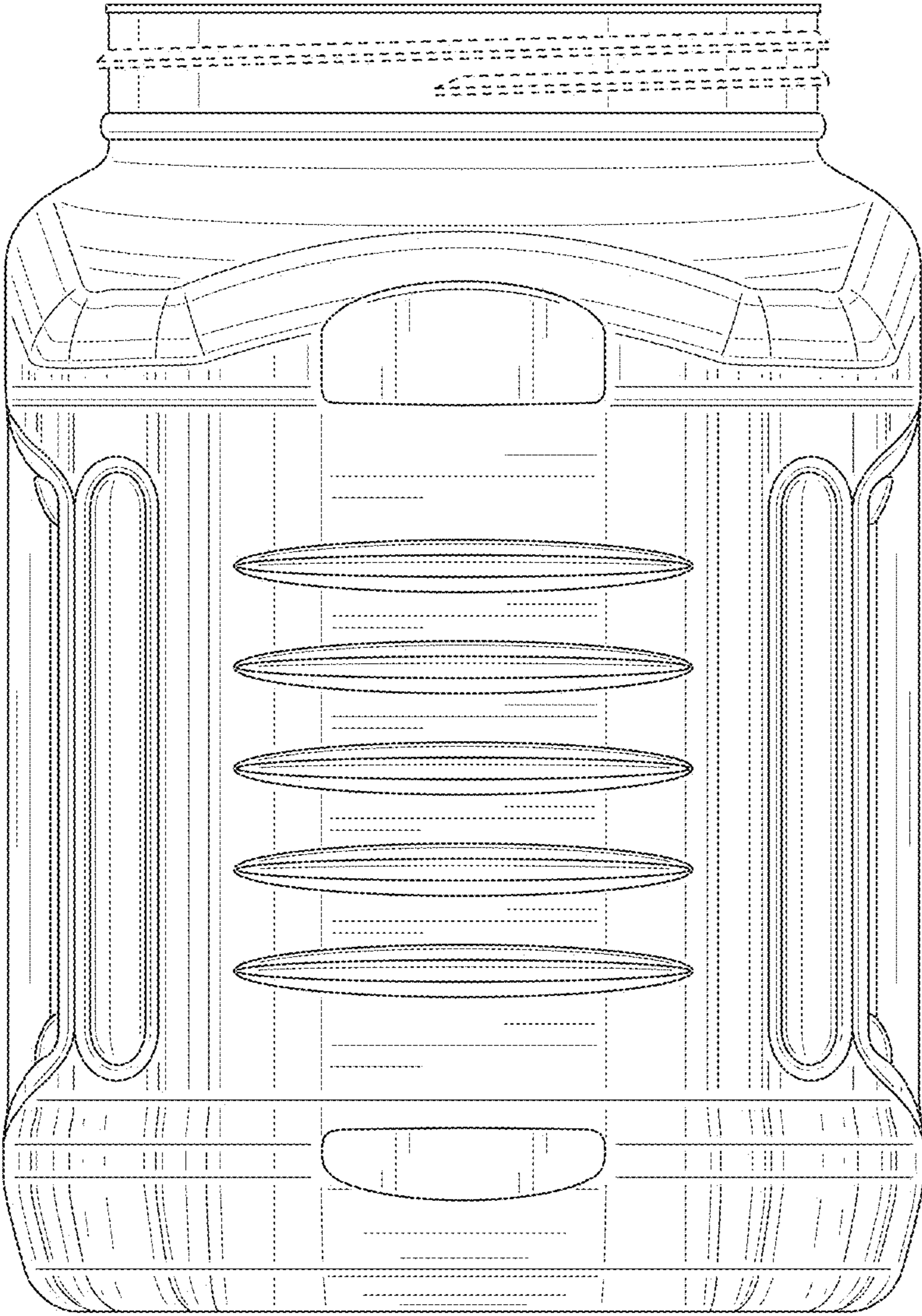


FIG. 3

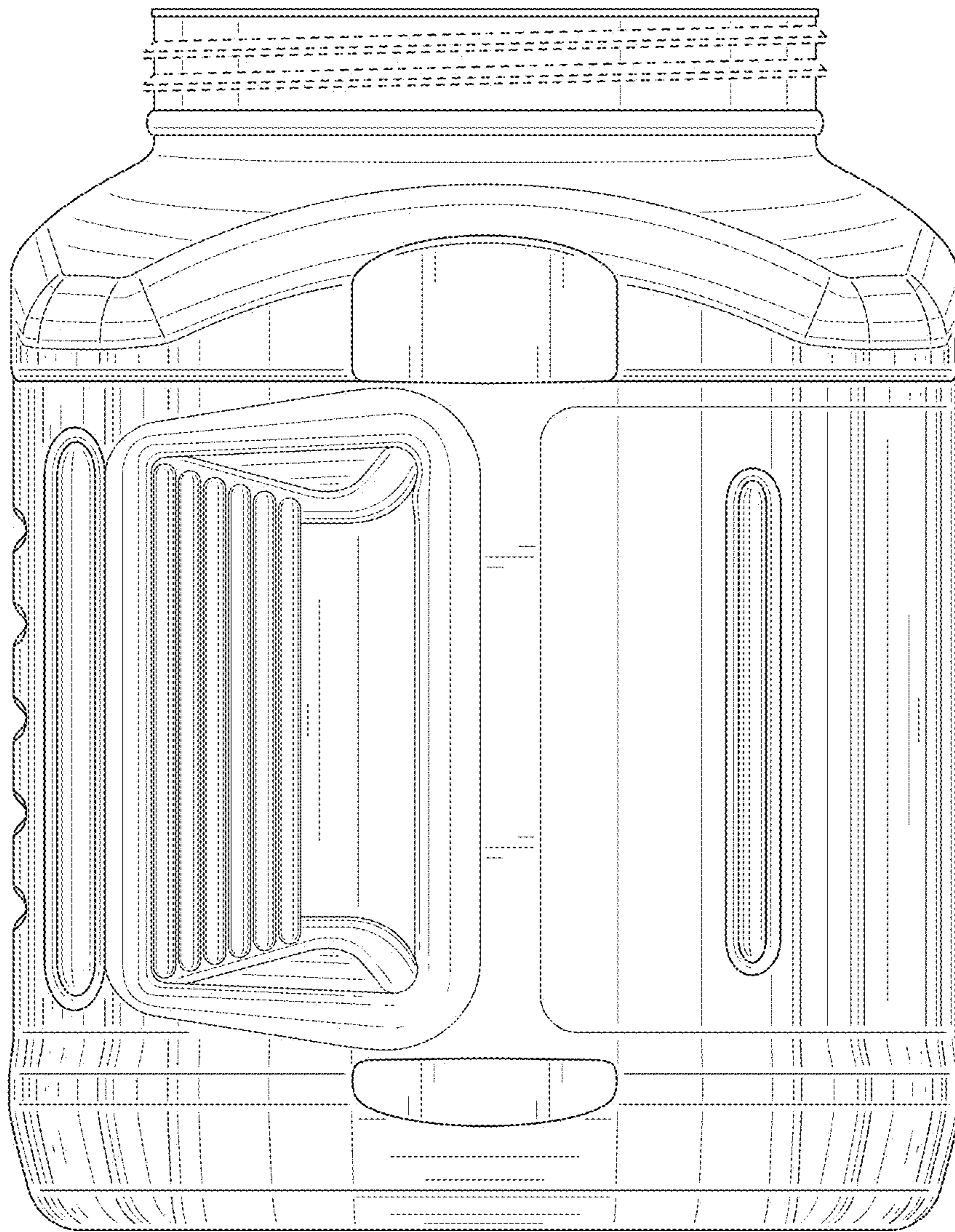


FIG. 4

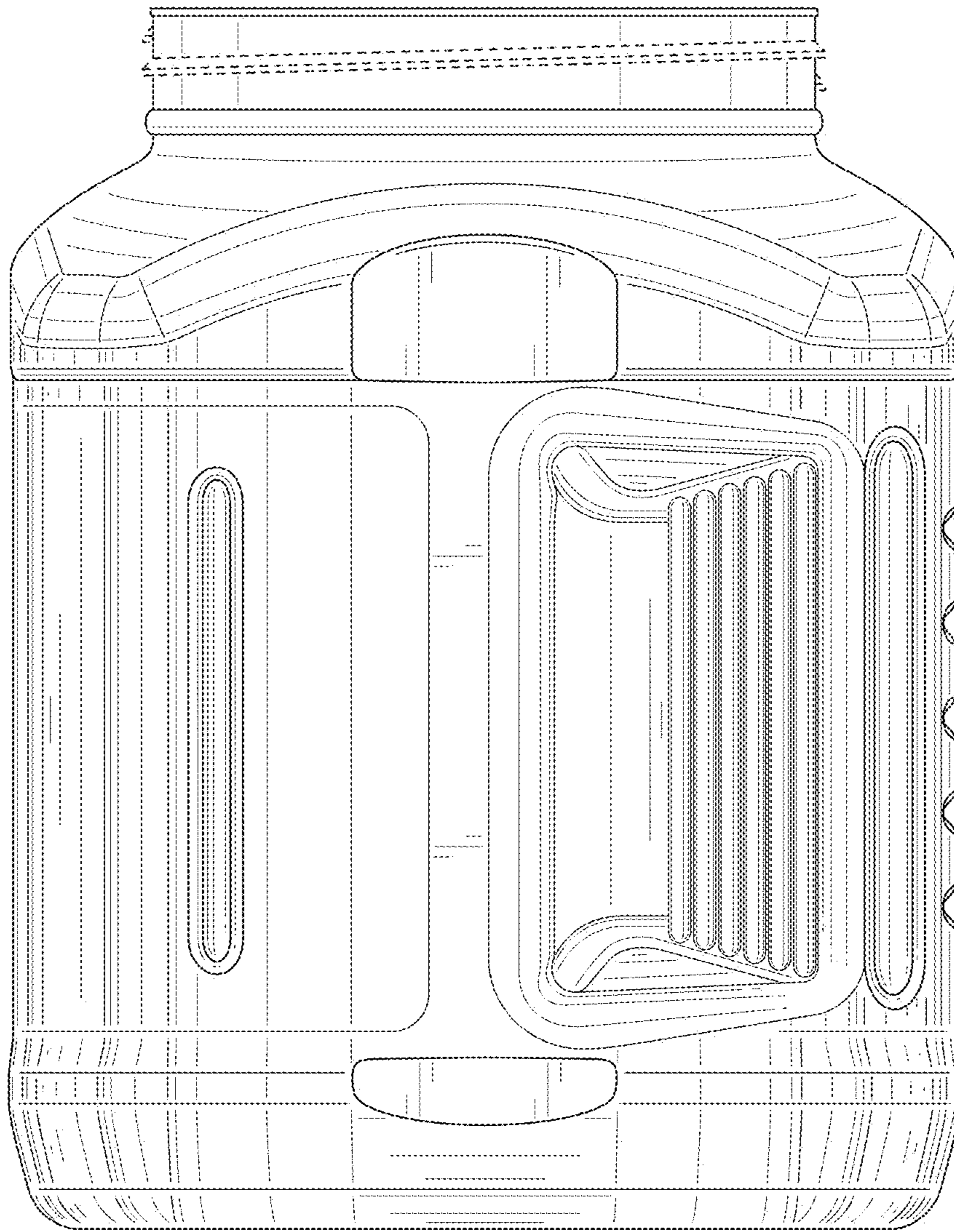


FIG. 5

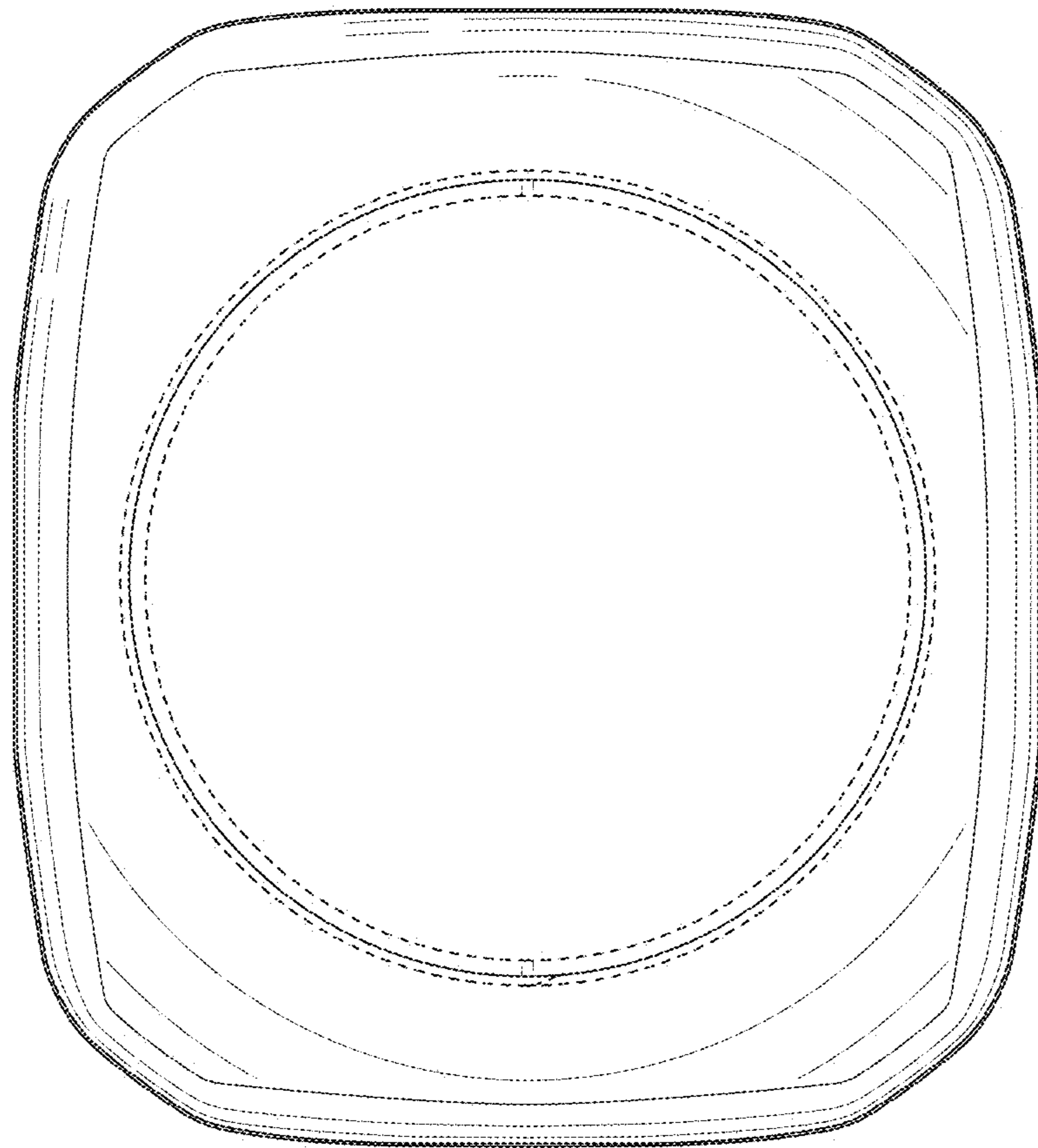


FIG. 6

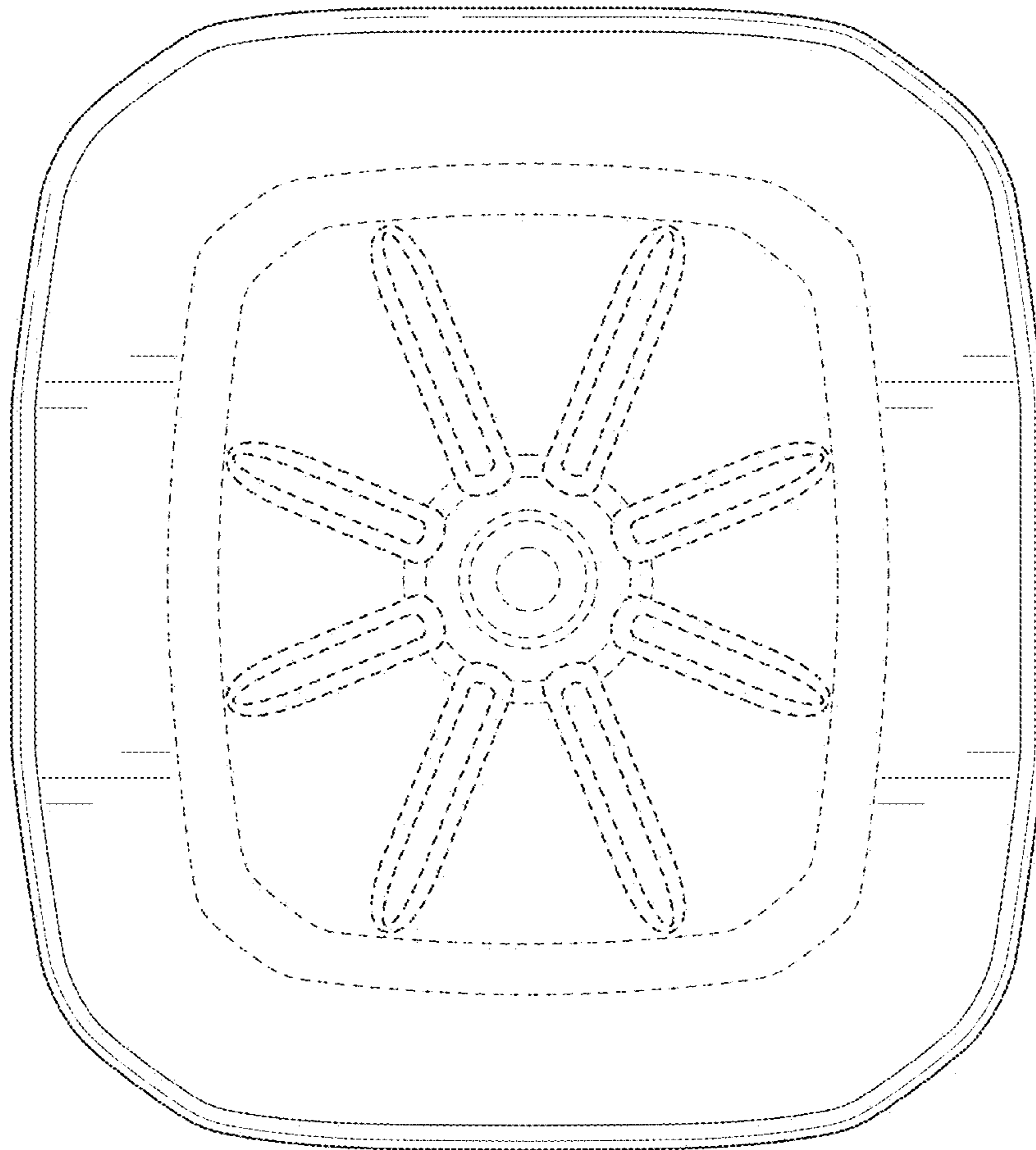


FIG. 7