



US00D722883S

(12) **United States Design Patent**
Eble

(10) **Patent No.:** **US D722,883 S**

(45) **Date of Patent:** **** Feb. 24, 2015**

(54) **CONTAINER**

(75) Inventor: **Raymond C. Eble**, Sugarloaf, PA (US)

(73) Assignee: **Pretium Packaging, L.L.C.**,
Chesterfield, MO (US)

(**) Term: **14 Years**

(21) Appl. No.: **29/413,409**

(22) Filed: **Feb. 15, 2012**

(51) **LOC (10) Cl.** **09-01**

(52) **U.S. Cl.**
USPC **D9/543**; D9/560; D9/569

(58) **Field of Classification Search**
CPC B65D 1/00; B65D 1/02; B65D 1/0223;
B65D 1/10; B65D 1/40; B65D 23/00; B65D
23/10; B65D 23/102; B65D 25/00; B65D
25/28; B65D 25/2882; B65D 25/2897
USPC D9/516, 530–531, 533, 543, 560,
D9/564–566, 569–572, 575; D7/601–602,
D7/612, 629, 598, 316–317; 215/379,
215/381–384; 220/660, 669, 675
See application file for complete search history.

(56) **References Cited**

U.S. PATENT DOCUMENTS

D216,360 S	*	12/1969	Anderson	D9/543
D217,439 S	*	5/1970	Platte	D9/543
D272,521 S	*	2/1984	Glenn	D9/520
D535,566 S	*	1/2007	Lin	D9/560
D536,985 S	*	2/2007	Forget	D9/541

D538,672 S	*	3/2007	Eaton et al.	D9/543
D547,662 S	*	7/2007	Hankins et al.	D9/530
D580,270 S	*	11/2008	Futral	D9/541
D594,343 S	*	6/2009	Leruste	D9/560
D631,753 S	*	2/2011	Russell et al.	D9/560
D632,182 S	*	2/2011	Russell et al.	D9/560
D637,084 S	*	5/2011	Kissinger et al.	D9/541
D649,467 S	*	11/2011	Sheridan et al.	D9/541
D653,553 S	*	2/2012	Sanghavi et al.	D9/560
D655,176 S	*	3/2012	Kraft et al.	D9/541

* cited by examiner

Primary Examiner — Ian Simmons

Assistant Examiner — Dana L Meyrow

(74) *Attorney, Agent, or Firm* — Lewis, Rice & Fingersh,
L.C.

(57) **CLAIM**

The ornamental design for a container, as shown and described.

DESCRIPTION

FIG. 1 is a top perspective view of a container;

FIG. 2 is a rear elevation view thereof;

FIG. 3 is a front elevation view thereof;

FIG. 4 is a right side elevation view thereof;

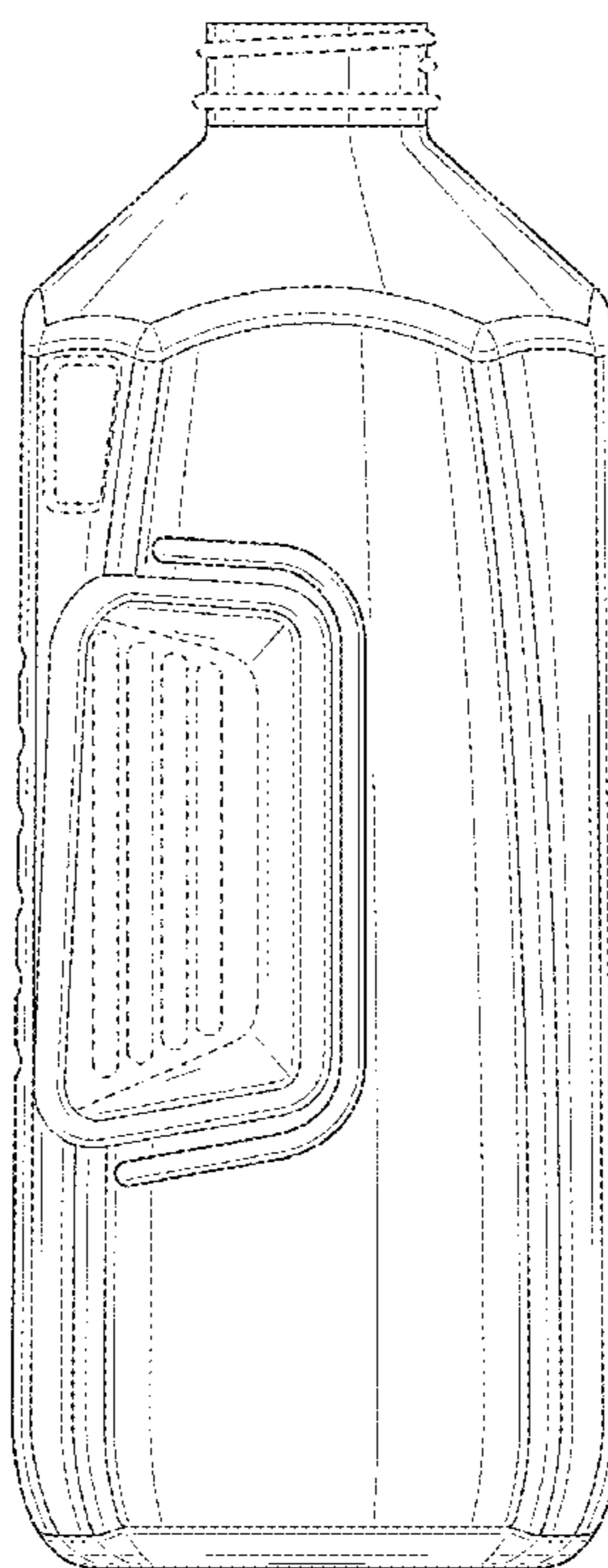
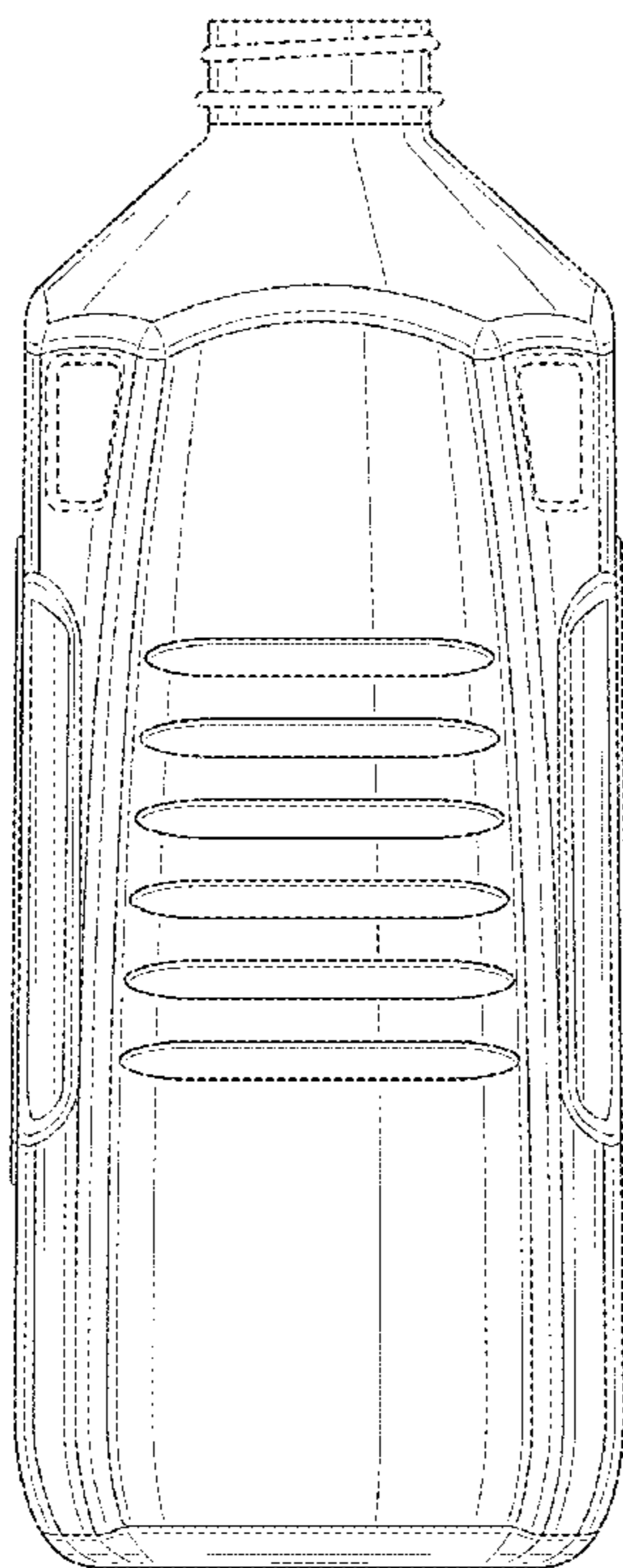
FIG. 5 is a left side elevation view thereof;

FIG. 6 is a top plan view thereof; and,

FIG. 7 is a bottom plan view thereof.

The broken lines showing connectors for the lid, the inner portion of the grips, the details on the upper corners of the front side, the bottom surface, and rim are for illustrative purposes only and form no part of the claimed design.

1 Claim, 6 Drawing Sheets



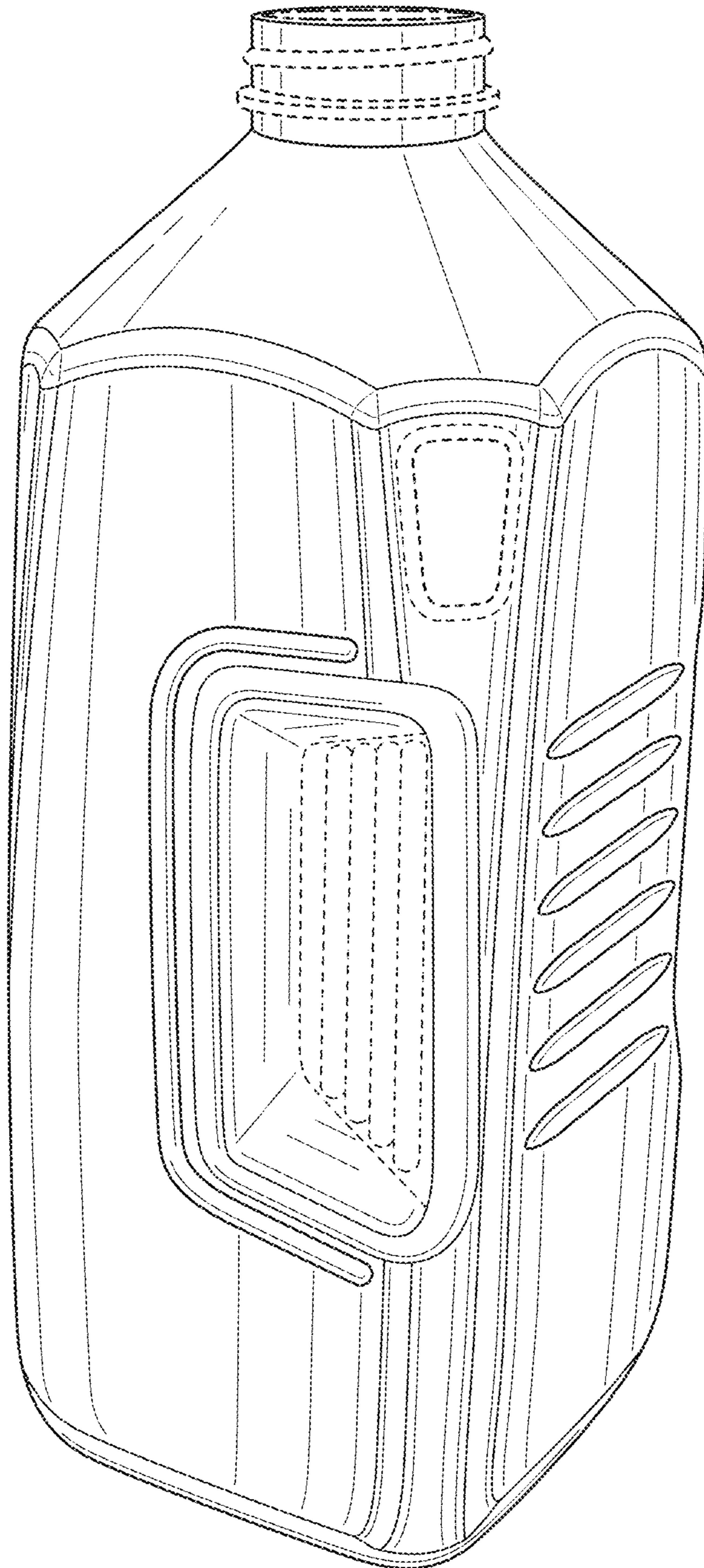


FIG. 1

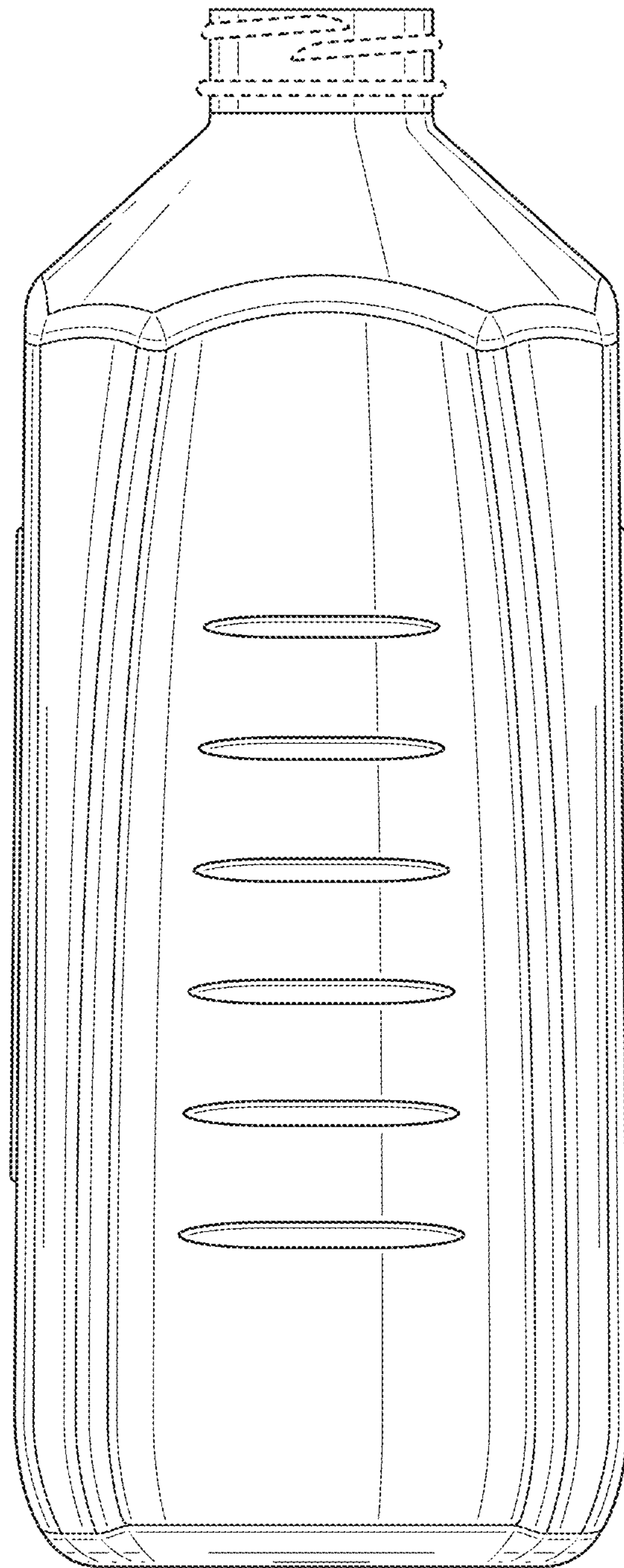


FIG. 2

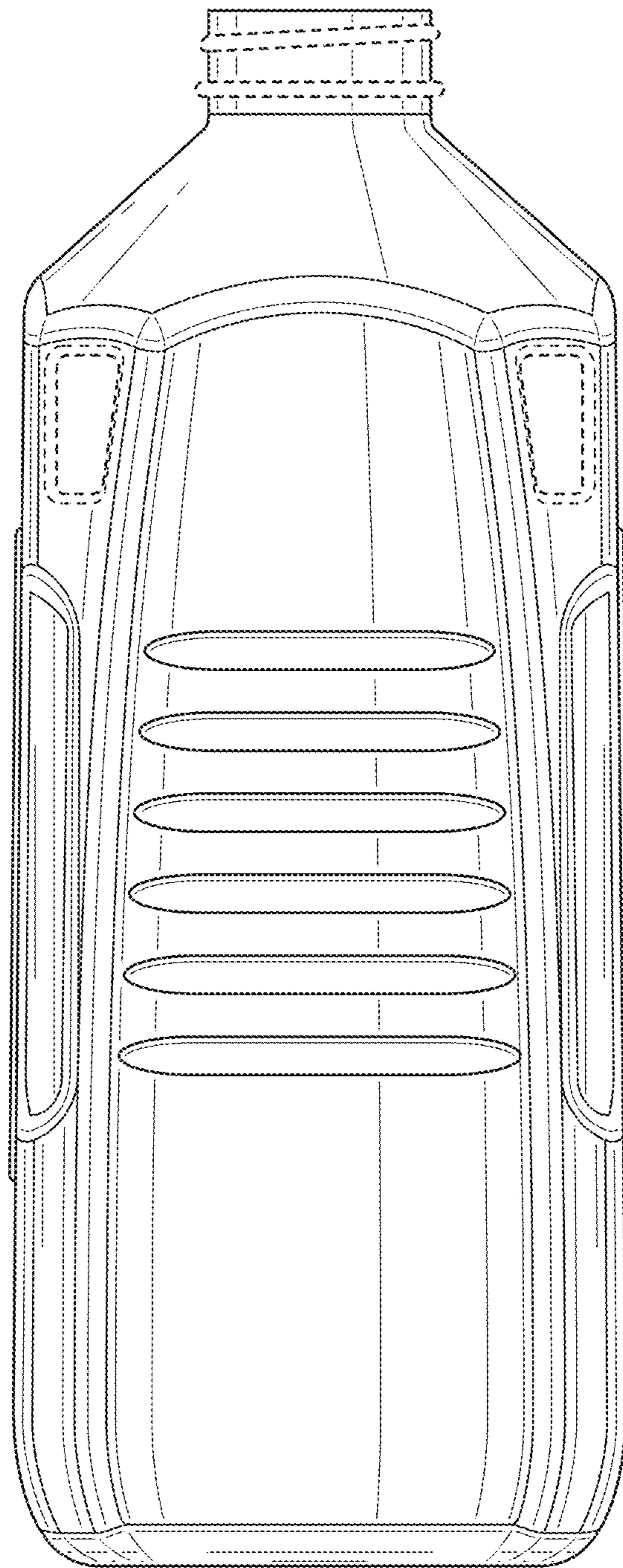


FIG. 3

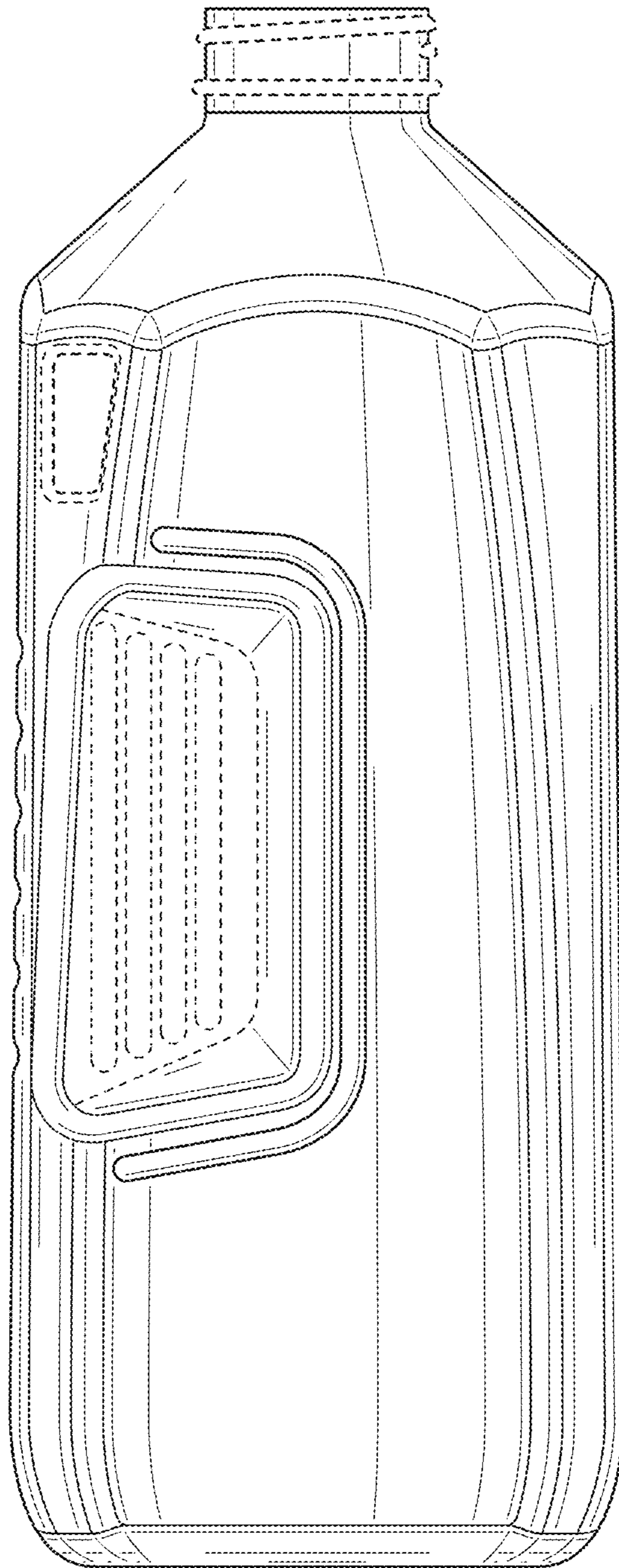


FIG. 4

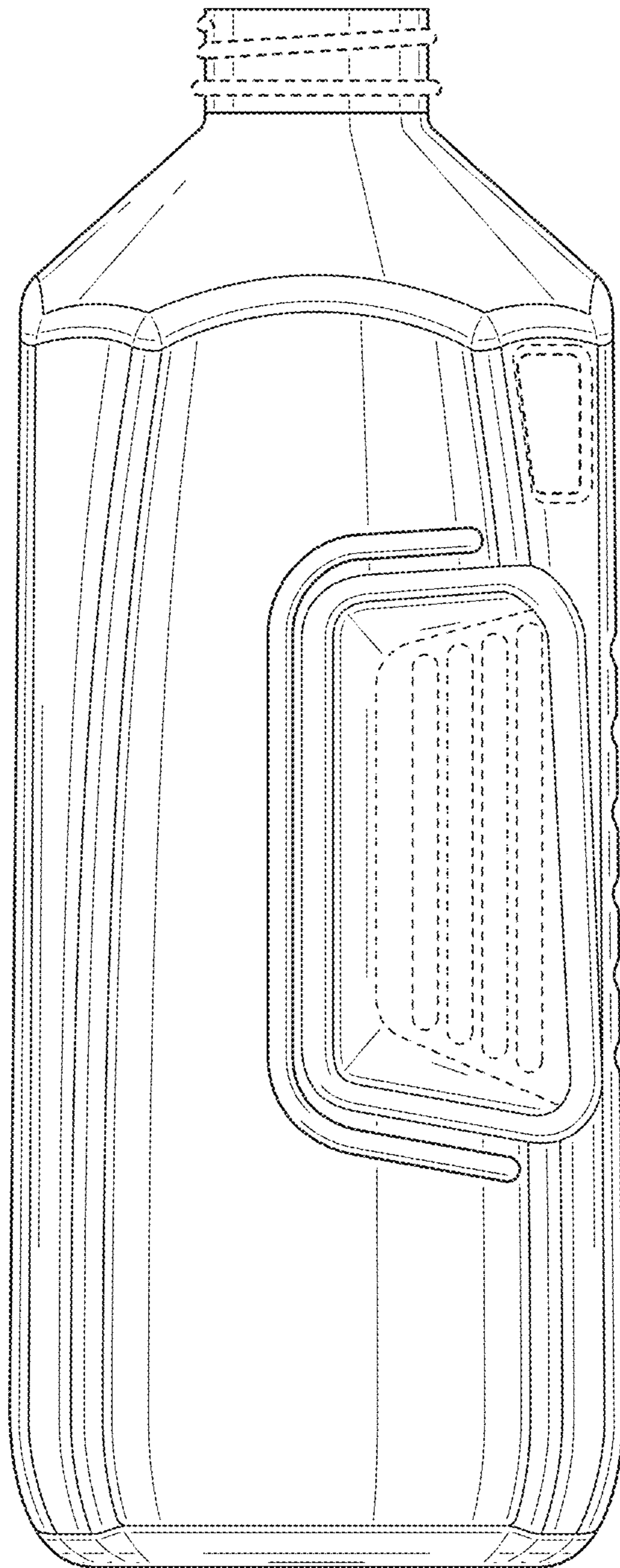


FIG. 5

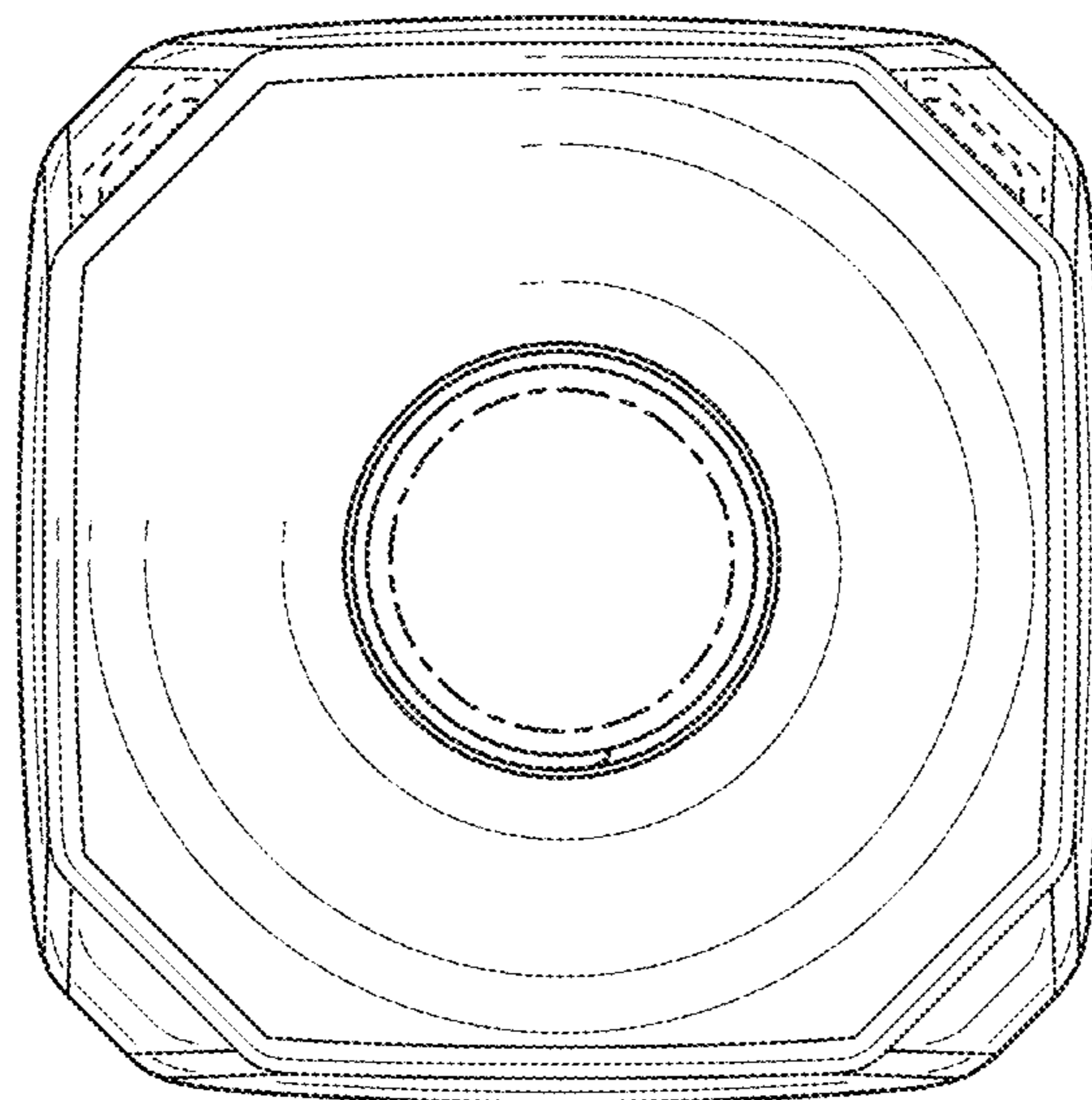


FIG. 6

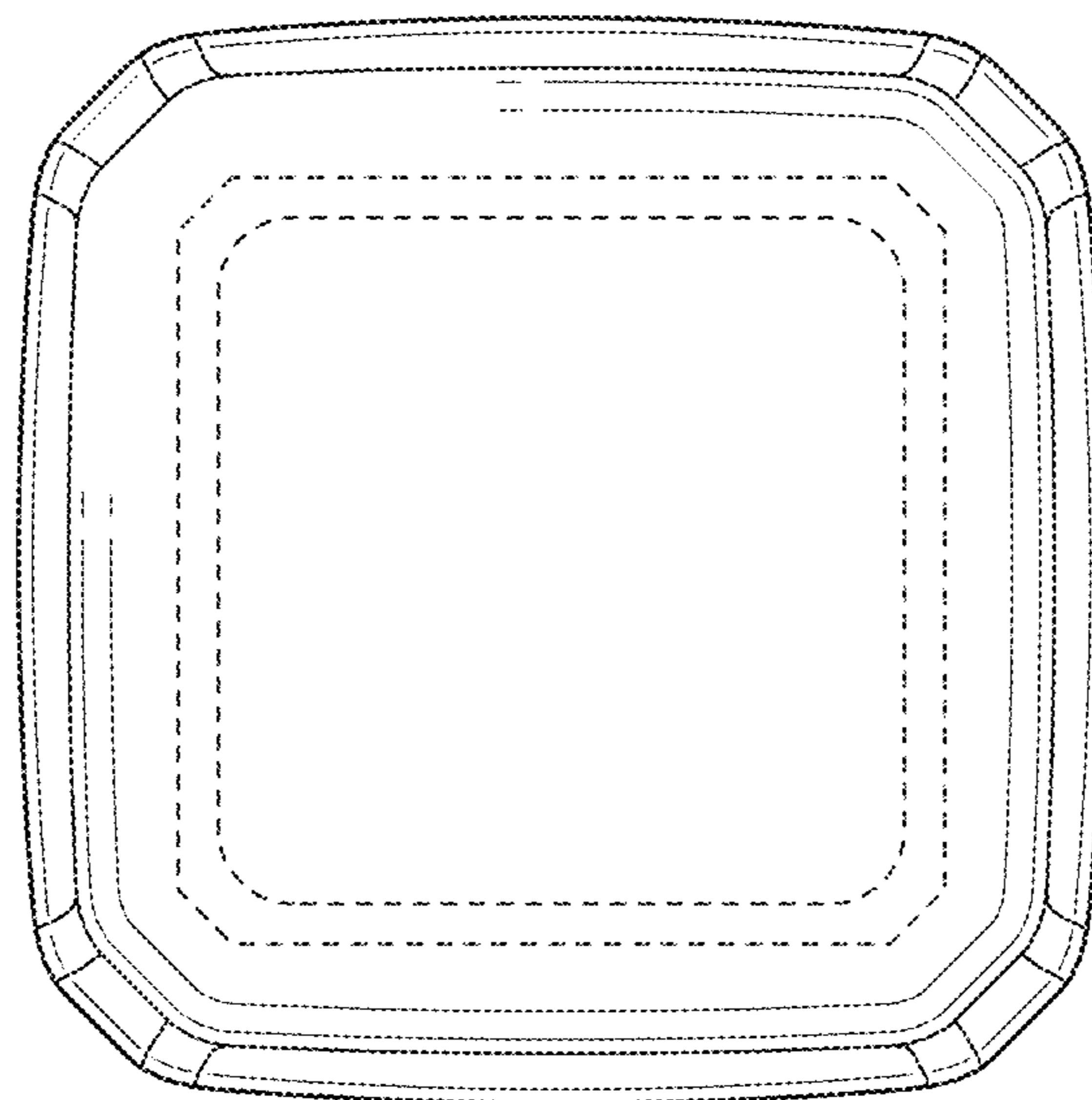


FIG. 7