



US00D722882S

(12) **United States Design Patent**  
**Castillo Higareda et al.**

(10) **Patent No.:** **US D722,882 S**  
(45) **Date of Patent:** **\*\* Feb. 24, 2015**

(54) **BOTTLE**

(75) Inventors: **Jose de Jesus Castillo Higareda**,  
Racine, WI (US); **Peter M. Neuman**,  
Racine, WI (US); **Holger Hampf**,  
Munich (DE); **Matthew D. Hern**,  
Malibu, CA (US); **Gary B. Swetish**,  
Racine, WI (US); **Benjamin R. Lloyd**,  
Milwaukee, WI (US)

(73) Assignee: **S.C. Johnson & Son, Inc.**, Racine, WI  
(US)

(\*\*) Term: **14 Years**

(21) Appl. No.: **29/412,300**

(22) Filed: **Feb. 1, 2012**

**Related U.S. Application Data**

(63) Continuation-in-part of application No. 29/380,459,  
filed on Dec. 6, 2010.

(51) **LOC (10) Cl.** ..... **09-01**

(52) **U.S. Cl.**  
USPC ..... **D9/543; D9/564; D9/575**

(58) **Field of Classification Search**  
CPC ..... B65D 1/00; B65D 1/02; B65D 1/0223;  
B65D 1/40; B65D 23/00; B65D 23/10;  
B65D 23/102; B65D 25/00; B65D 25/28;  
B65D 25/2882; B65D 25/2888; B65D  
25/2894; B65D 25/2897  
USPC ..... D9/516, 523, 528, 530, 543, 571, 575,  
D9/682, 685, 564, 570; D23/225; 215/379,  
215/381-384; 220/660, 669, 675;  
222/321.7, 383.1, 630-631  
See application file for complete search history.

(56) **References Cited**

**U.S. PATENT DOCUMENTS**

D267,701 S \* 1/1983 Pardo et al. .... D9/523  
D305,612 S \* 1/1990 Haworth ..... D9/685

4,970,220 A 11/1990 Chaussee  
D334,343 S \* 3/1993 Leslie et al. .... D9/523  
5,217,128 A 6/1993 Stenger  
5,238,129 A 8/1993 Ota  
D347,385 S \* 5/1994 Kunesh ..... D9/694  
5,381,910 A 1/1995 Sugiura et al.  
5,407,086 A 4/1995 Ota et al.  
D383,394 S 9/1997 Davis  
5,735,420 A 4/1998 Nakamaki et al.  
5,833,115 A 11/1998 Eiten  
5,908,127 A 6/1999 Weick et al.  
414,700 A 10/1999 Zogg  
D415,689 S \* 10/1999 Voight et al. .... D9/543

(Continued)

**FOREIGN PATENT DOCUMENTS**

EP 0 751 071 B1 11/2001  
WO WO 2004/028910 A1 4/2004  
WO WO 2005/123517 A1 12/2005

*Primary Examiner* — Ian Simmons

*Assistant Examiner* — Dana L Meyrow

(74) *Attorney, Agent, or Firm* — Miller, Matthias & Hull  
LLP

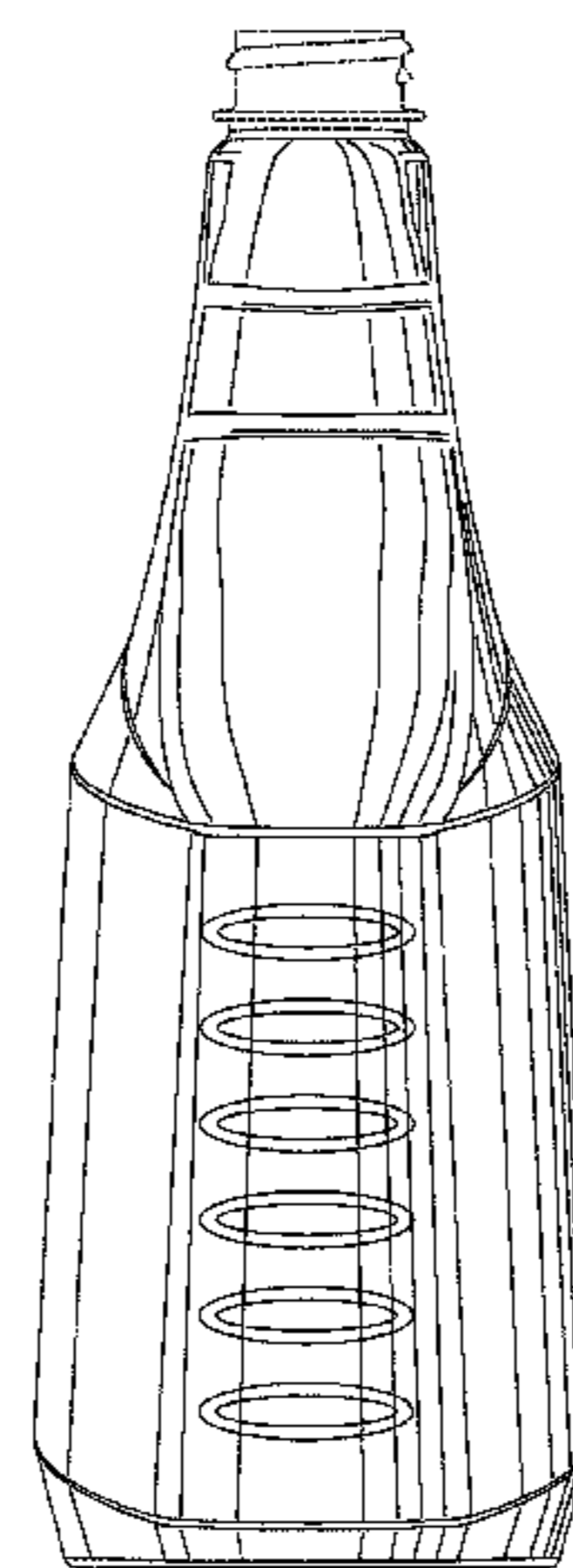
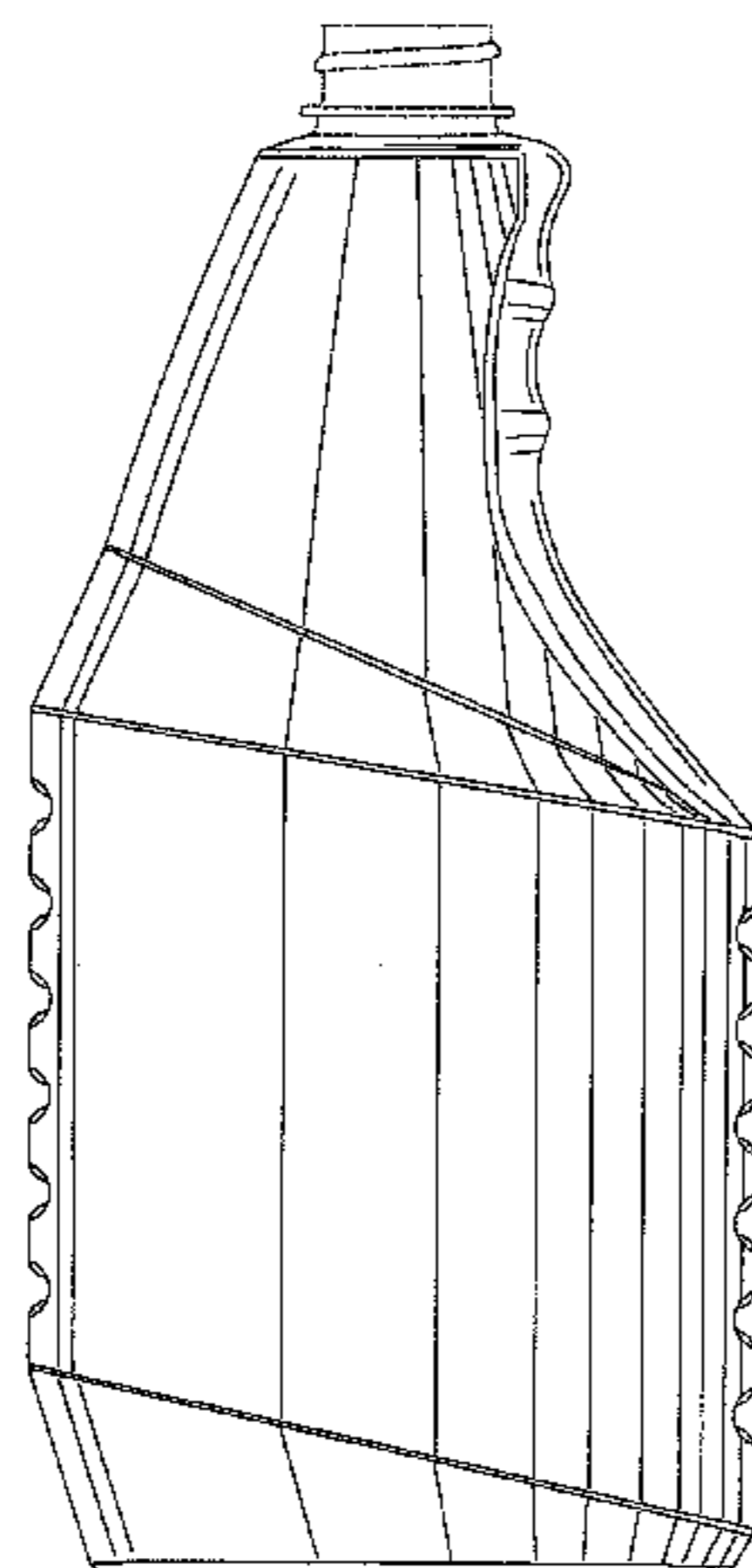
(57) **CLAIM**

The ornamental design for a bottle, as shown and described.

**DESCRIPTION**

FIG. 1 is a top perspective view of a bottle showing our new design;  
FIG. 2 is a left side view thereof;  
FIG. 3 is a right side view thereof;  
FIG. 4 is a front view thereof;  
FIG. 5 is a rear view thereof;  
FIG. 6 is a top view thereof; and,  
FIG. 7 is a bottom view thereof.  
The broken lines appearing in FIGS. 1-7 define the bounds of the claimed design and/or disclose environment related to the claimed design, and therefore form no part of the claimed design.

**1 Claim, 6 Drawing Sheets**



(56)

References Cited

U.S. PATENT DOCUMENTS

D422,901 S *	4/2000	Young et al. ....	D9/689	D507,493 S	7/2005	Nelson et al.	
6,059,152 A	5/2000	Mayfield		6,923,334 B2	8/2005	Melrose et al.	
D427,078 S	6/2000	Schaaf et al.		D510,869 S	10/2005	Gross et al.	
D429,159 S	8/2000	Feen		6,964,347 B2	11/2005	Miura	
6,095,360 A	8/2000	Shmagin et al.		D512,916 S	12/2005	Floyd et al.	
D432,426 S	10/2000	Caughey et al.		6,974,047 B2	12/2005	Kelley et al.	
6,138,873 A	10/2000	Gramola		D514,933 S	2/2006	Bitowft et al.	
D433,335 S	11/2000	Zimmer et al.		D518,376 S	4/2006	Floyd et al.	
D434,327 S	11/2000	Di Bartolo et al.		D519,371 S	4/2006	Hornsby et al.	
6,161,713 A	12/2000	Krich		7,051,890 B2	5/2006	Onoda et al.	
6,164,474 A	12/2000	Cheng et al.		D524,660 S	7/2006	Floyd et al.	
D440,159 S	4/2001	Guislain		D525,137 S	7/2006	Helps	
6,247,606 B1	6/2001	Zogg		D525,527 S	7/2006	Ogg et al.	
6,264,073 B1	7/2001	Good et al.		7,108,146 B2	9/2006	Itokawa et al.	
D451,792 S	12/2001	Siebert et al.		D533,782 S	12/2006	Ogg et al.	
6,349,838 B1	2/2002	Saito et al.		D533,786 S	12/2006	Ogg et al.	
D454,069 S	3/2002	Guislain		D536,258 S	2/2007	Ogg et al.	
D454,504 S	3/2002	Siebert et al.		D536,982 S	2/2007	Conway	
D454,779 S	3/2002	Siebert et al.		D543,854 S	6/2007	Conway	
D454,787 S	3/2002	Cummings		D545,197 S	6/2007	Adamson et al.	
D455,352 S	4/2002	Siebert et al.		7,228,981 B2	6/2007	Chisholm	
6,398,052 B1	6/2002	Cheng et al.		7,318,533 B2	1/2008	Kelley et al.	
6,431,401 B1	8/2002	Giblin et al.		D568,748 S	5/2008	Harrison et al.	
6,464,106 B1	10/2002	Giblin et al.		D583,677 S	12/2008	Harrison et al.	
6,497,333 B1	12/2002	Ellis et al.		D584,617 S	1/2009	Harrison et al.	
D468,194 S	1/2003	Siebert et al.		7,481,326 B2	1/2009	Itokawa et al.	
6,536,977 B1	3/2003	Hammel		7,857,157 B2	12/2010	Lane et al.	
6,575,321 B2	6/2003	Bourque et al.		7,882,971 B2	2/2011	Kelley et al.	
6,585,123 B1	7/2003	Pedmo et al.		D635,460 S	4/2011	Dorn et al.	
D480,005 S	9/2003	Conway		D651,089 S *	12/2011	Lee et al. ....	D9/523
D481,305 S	10/2003	Walters et al.		D660,714 S *	5/2012	Castillo Higareda et al. .	D9/543
6,662,960 B2	12/2003	Hong et al.		D663,627 S *	7/2012	Castillo Higareda et al. .	D9/543
D485,747 S	1/2004	Crawford		D674,285 S *	1/2013	Thijssen .....	D9/543
D486,068 S	2/2004	Crawford et al.		D674,286 S *	1/2013	Thijssen .....	D9/543
D486,397 S	2/2004	Crawford et al.		8,662,329 B2 *	3/2014	Castillo Higareda et al. ..	215/40
D486,743 S	2/2004	Nelson et al.		2001/0037992 A1	11/2001	Tanabe et al.	
6,695,162 B1	2/2004	Boukobza et al.		2002/0084283 A1	7/2002	Giblin et al.	
D487,223 S	3/2004	Arai et al.		2003/0213816 A1	11/2003	Harrity et al.	
D487,401 S	3/2004	Cotton et al.		2006/0138074 A1	6/2006	Melrose	
D488,066 S	4/2004	Nelson et al.		2006/0191860 A1	8/2006	Eisenbarth	
D489,621 S	5/2004	Grisdale et al.		2006/0237485 A1	10/2006	An	
D490,700 S	6/2004	Conway et al.		2006/0255005 A1	11/2006	Melrose et al.	
6,763,969 B1	7/2004	Melrose et al.		2007/0068894 A1	3/2007	Iwashita et al.	
D493,723 S	8/2004	Nelson et al.		2007/0114200 A1	5/2007	Lane	
D497,971 S	11/2004	Conway et al.		2007/0199915 A1	8/2007	Denner et al.	
D498,670 S	11/2004	Cummings et al.		2008/0047964 A1	2/2008	Denner et al.	
D501,142 S *	1/2005	Pattison .....	D9/526	2008/0149588 A1	6/2008	Nemoto et al.	
D501,405 S *	2/2005	Feen .....	D9/523	2009/0065468 A1	3/2009	Hata et al.	
D501,796 S	2/2005	Crawford et al.		2009/0266782 A1	10/2009	Lane	
				2010/0012617 A1	1/2010	Ulibarri et al.	

\* cited by examiner

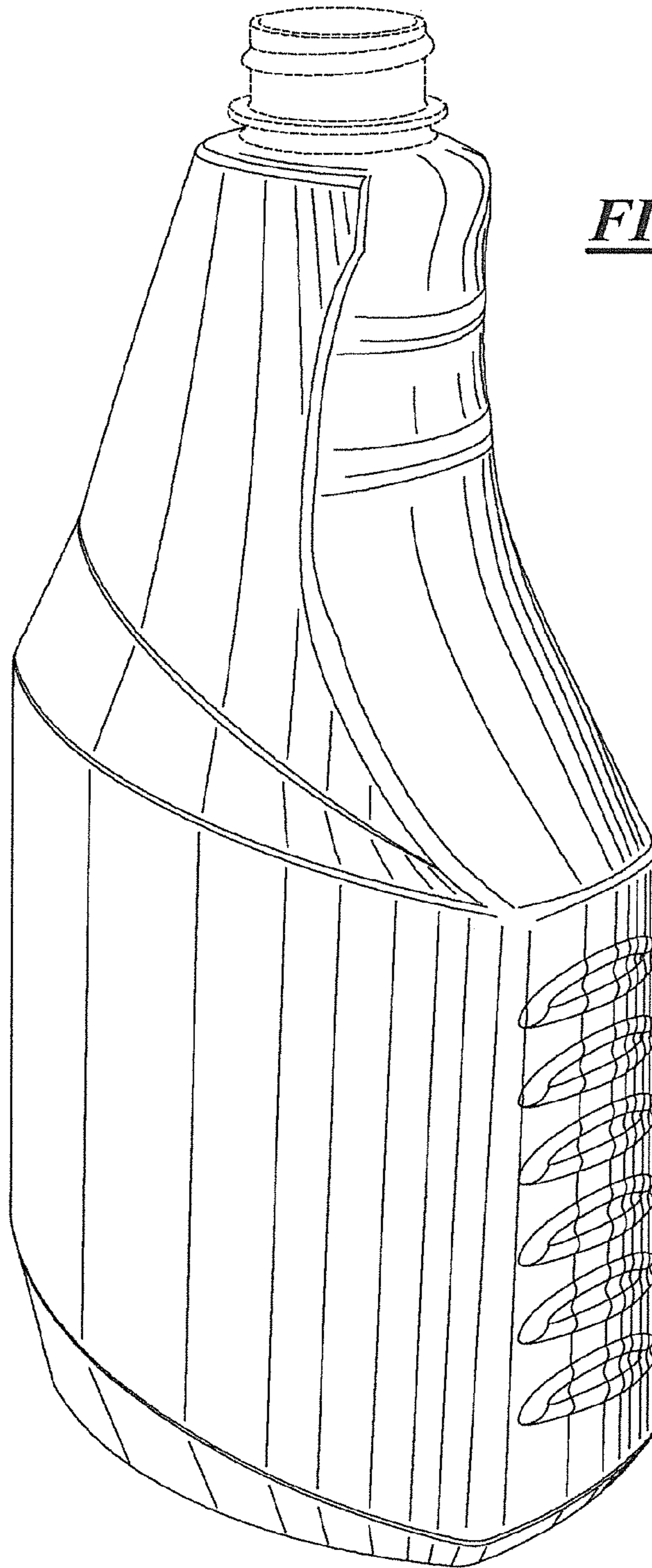
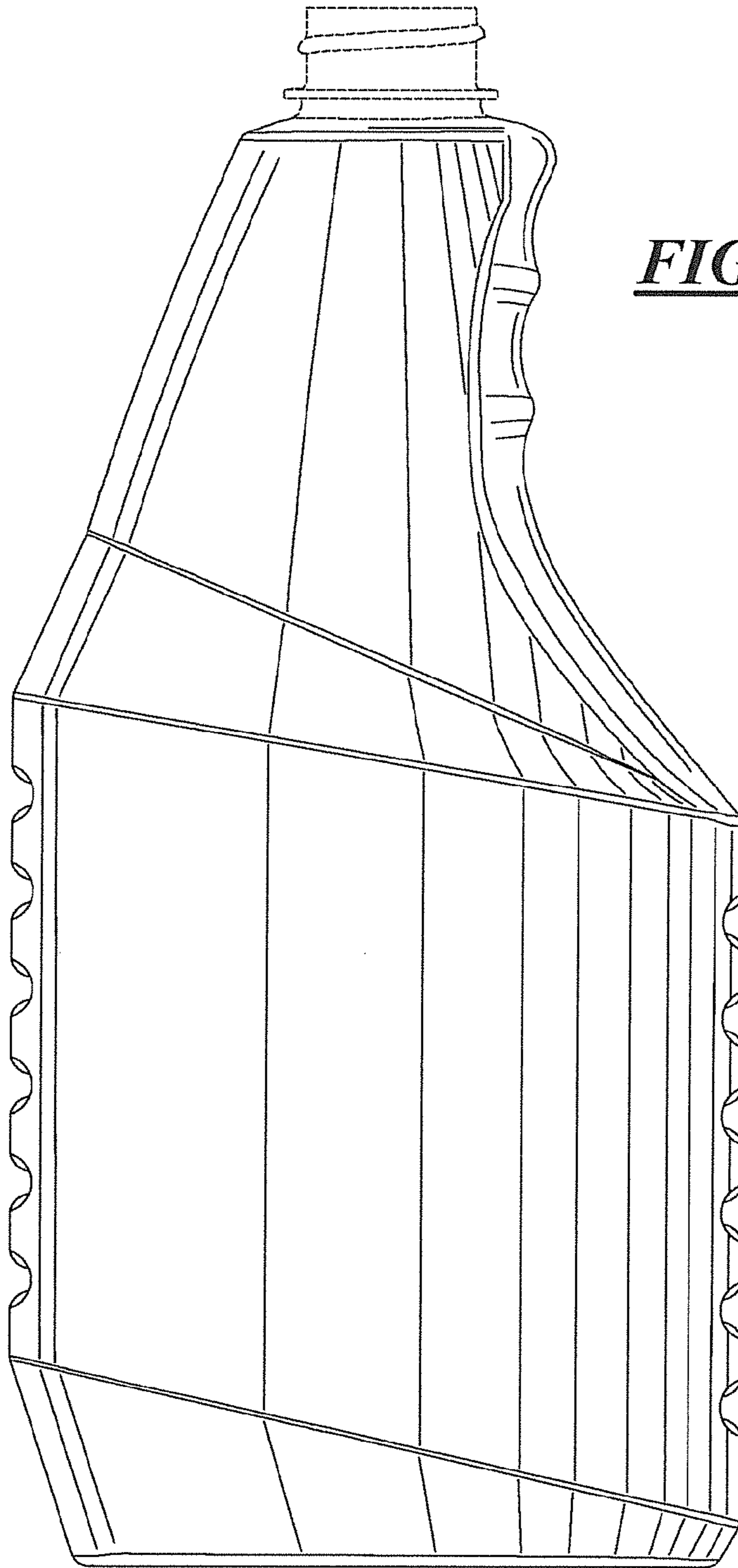
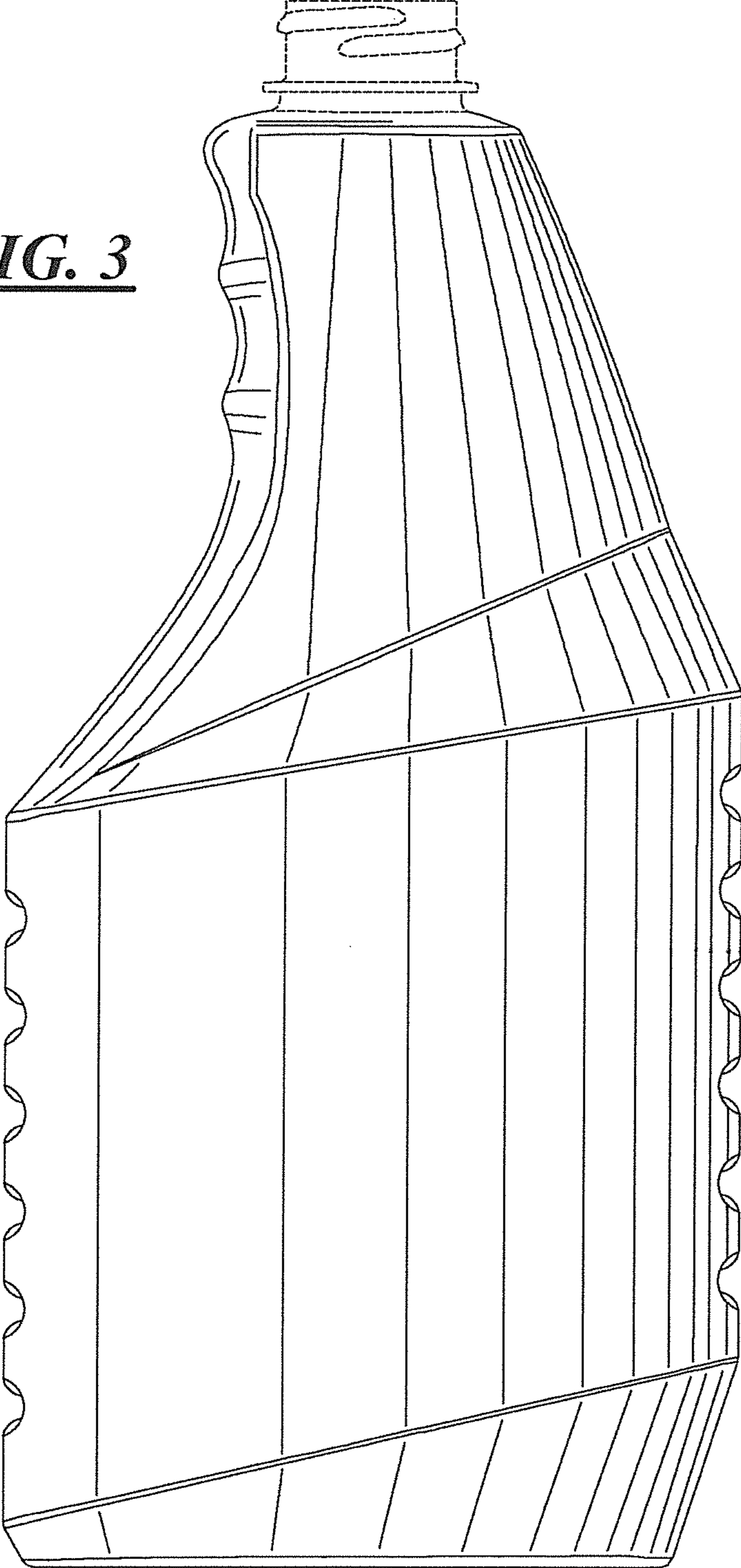


FIG. 1



**FIG. 2**

FIG. 3



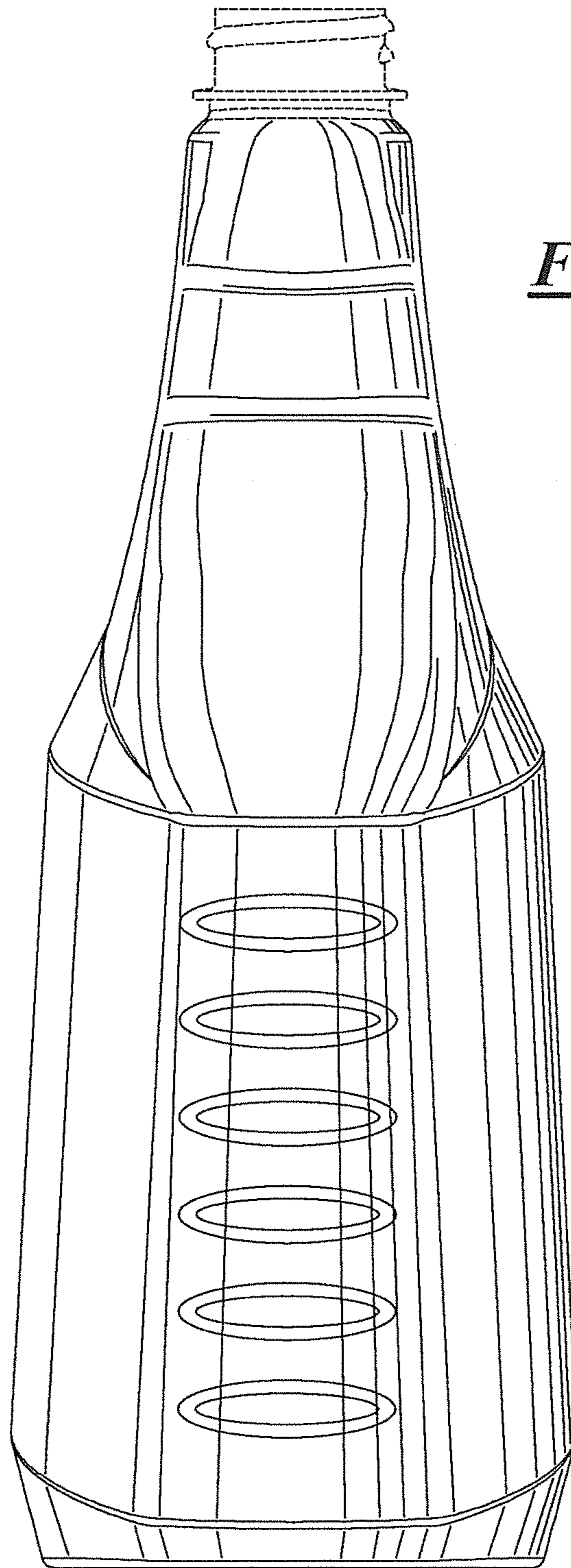


FIG. 4

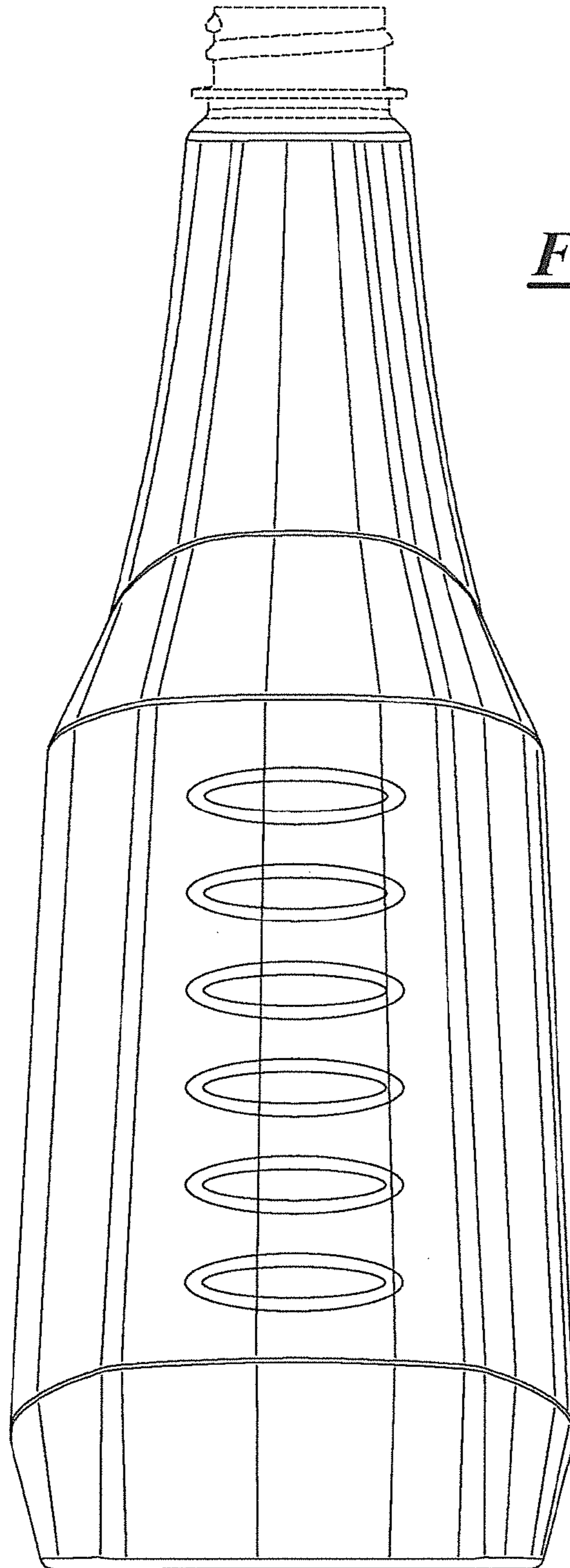


FIG. 5

FIG. 6

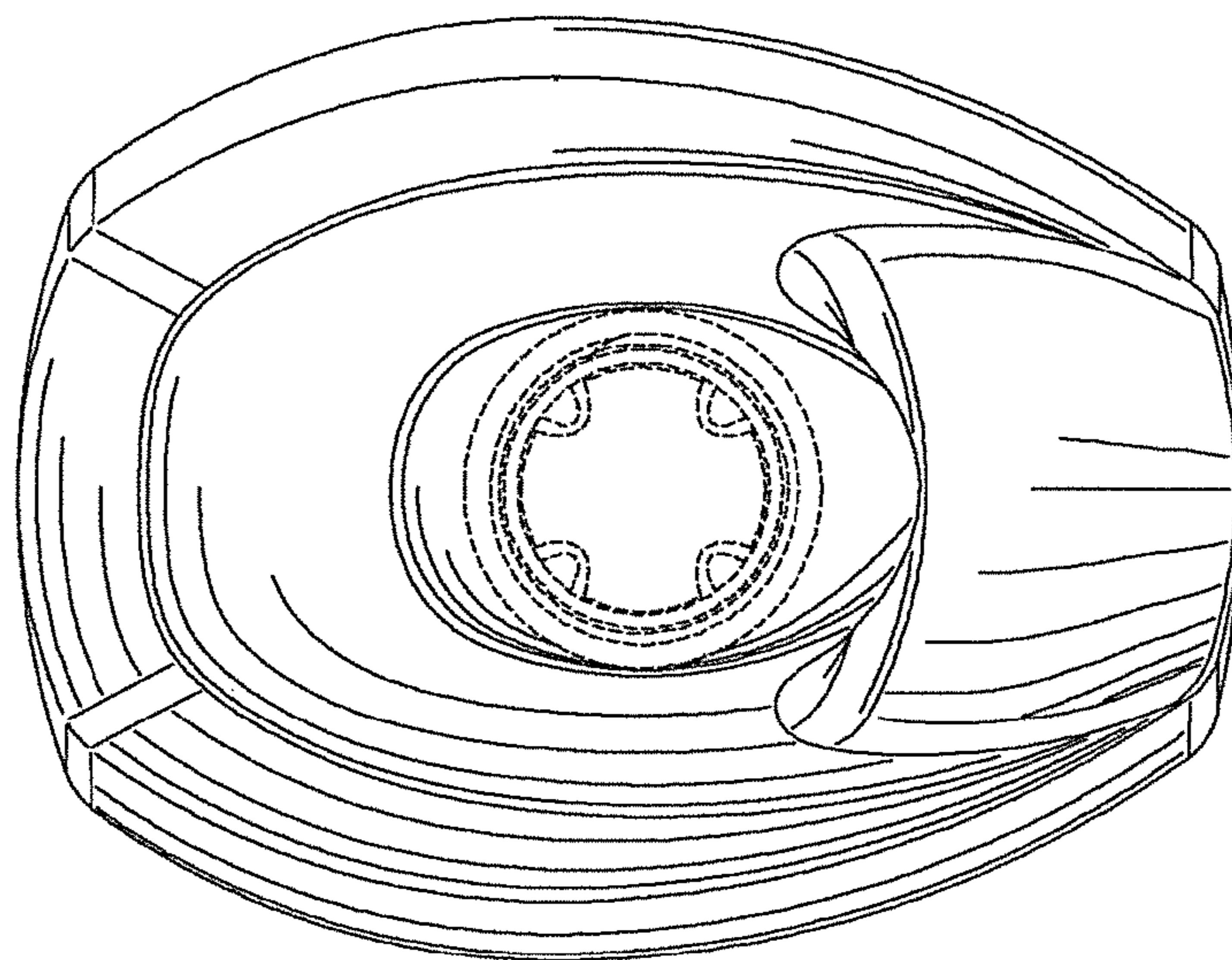


FIG. 7

