



US00D722874S

(12) **United States Design Patent**  
**De Baschmakoff**

(10) **Patent No.:** **US D722,874 S**

(45) **Date of Patent:** **\*\* Feb. 24, 2015**

(54) **FLASK FOR COSMETICS**

(71) Applicant: **Guerlain Societe Anonyme**, Paris (FR)

(72) Inventor: **Thierry De Baschmakoff**, Paris (FR)

(73) Assignee: **Guerlain Societe Anonyme**, Paris (FR)

(\*\*) Term: **14 Years**

(21) Appl. No.: **29/460,878**

(22) Filed: **Jul. 16, 2013**

(30) **Foreign Application Priority Data**

Jan. 22, 2013 (EM) ..... 001358154-0001

(51) **LOC (10) Cl.** ..... **09-01**

(52) **U.S. Cl.**  
USPC ..... **D9/504**

(58) **Field of Classification Search**  
CPC ..... B65D 1/00; B65D 1/02; B65D 1/0223;  
B65D 1/10; B65D 23/00; B65D 2501/00;  
B65D 2501/0009

USPC ..... D9/434-435, 444-445, 452, 454, 500,  
D9/502-505, 516, 529, 530, 537, 539,  
D9/544-545, 549, 557-558, 682, 686,  
D9/688-691, 692, 715, 719; D7/300,  
D7/300.1, 598; D23/366; D28/73, 76-77,  
D28/91.1; 215/379, 381-382; 220/660, 662,  
220/669, 675

See application file for complete search history.

(56) **References Cited**

**U.S. PATENT DOCUMENTS**

D181,136 S \* 10/1957 Frank ..... D9/452  
D284,252 S \* 6/1986 Lichtenvort ..... D7/679  
D291,523 S \* 8/1987 Minuti ..... D7/300.1

D436,855 S \* 1/2001 Papiernik ..... D9/414  
D442,834 S \* 5/2001 Perez ..... D7/628  
D477,535 S \* 7/2003 Thorpe ..... D9/504  
D602,368 S \* 10/2009 Rica ..... D9/544  
D614,825 S \* 4/2010 Biegel ..... D99/5  
D639,525 S \* 6/2011 Biegel ..... D99/5  
D650,883 S \* 12/2011 wi toslawski ..... D22/122  
8,371,462 B2 \* 2/2013 Pfenniger et al. .... 215/11.1  
D677,569 S \* 3/2013 Lemaitre ..... D9/500  
D688,948 S \* 9/2013 Gonzalez Rodriguez ..... D9/500  
D692,301 S \* 10/2013 Bueno ..... D9/500

**FOREIGN PATENT DOCUMENTS**

WO DM/81398 \* 7/2013

\* cited by examiner

*Primary Examiner* — Ian Simmons

*Assistant Examiner* — Dana L Meyrow

(74) *Attorney, Agent, or Firm* — Stephen J. Weyer; Stites & Harbison PLLC

(57) **CLAIM**

The ornamental design for a flask for cosmetics, as shown and described.

**DESCRIPTION**

FIG. 1 is a front view of a flask for cosmetics showing the new design, the right side, left side and rear views being a mirror image thereof.

FIG. 2 is a top view thereof.

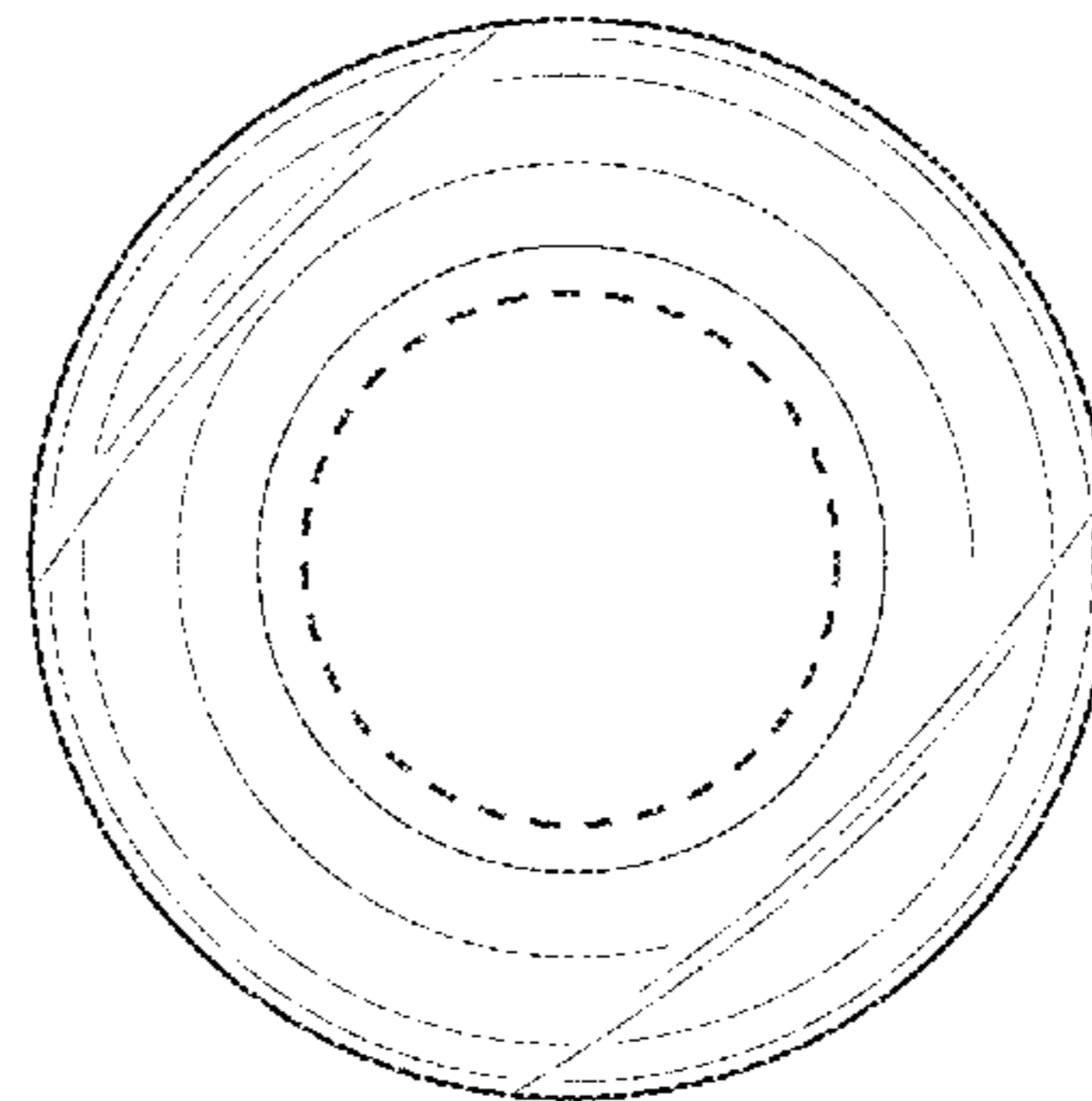
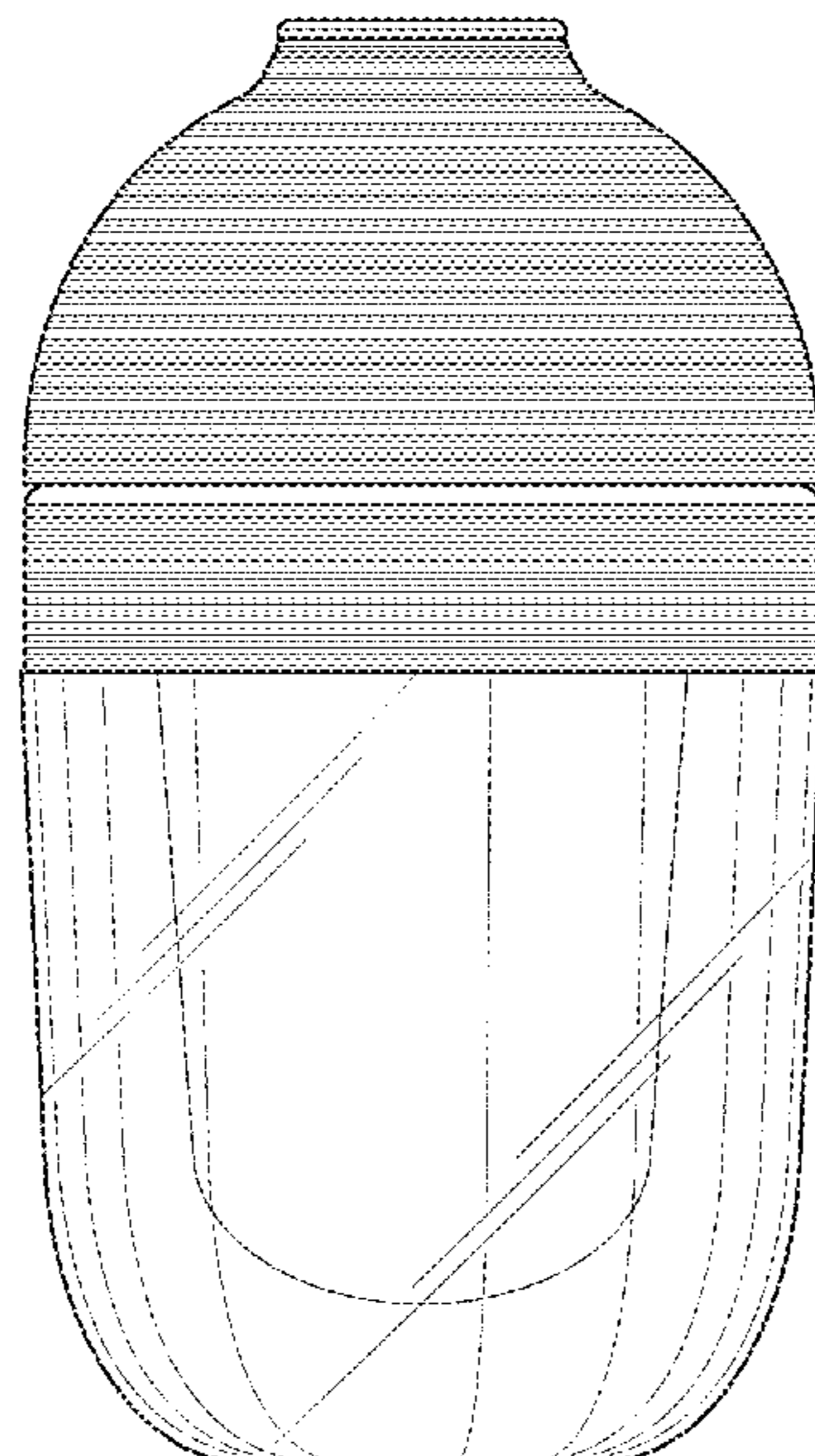
FIG. 3 is a bottom view thereof; and,

FIG. 4 is a front, top and right side perspective view thereof.

The repeating horizontal lines on the upper portion of the flask for cosmetics in FIGS. 1, 2 & 4 are horizontal flat surface lines on the surface.

In the drawings, the broken lines in FIGS. 3-4 depict portions of a bottom that form no part of the claimed design.

**1 Claim, 3 Drawing Sheets**



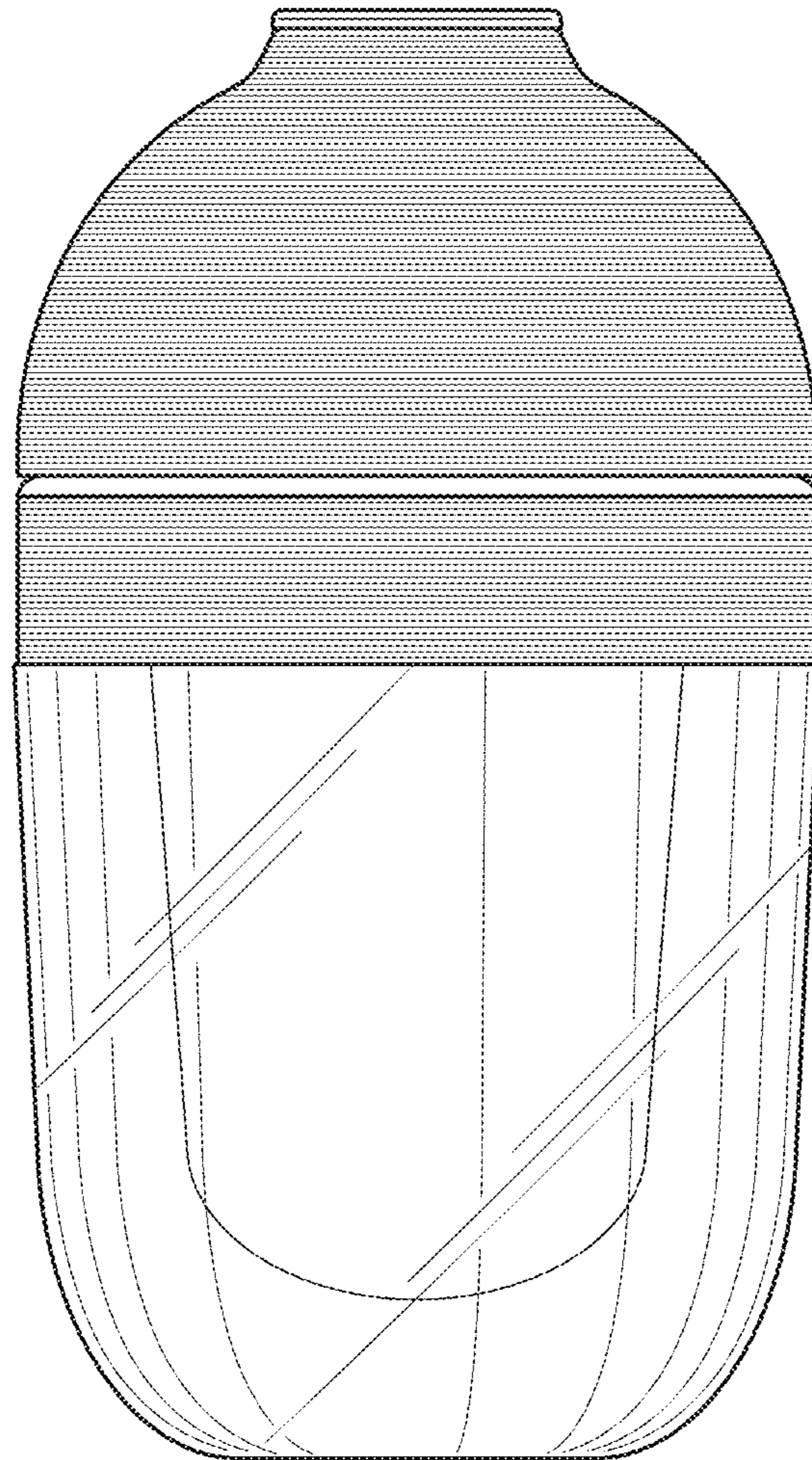


FIG. 1

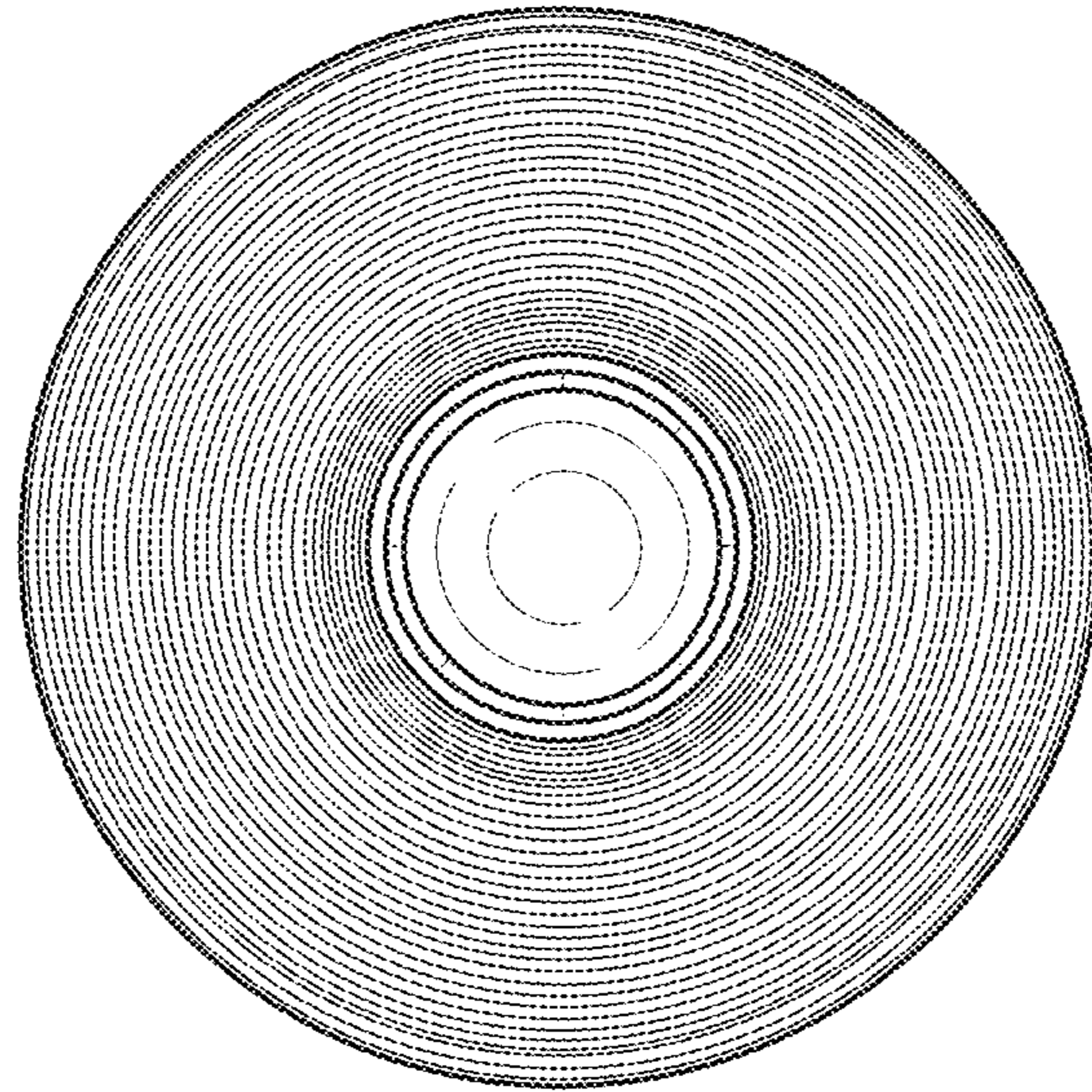


FIG. 2

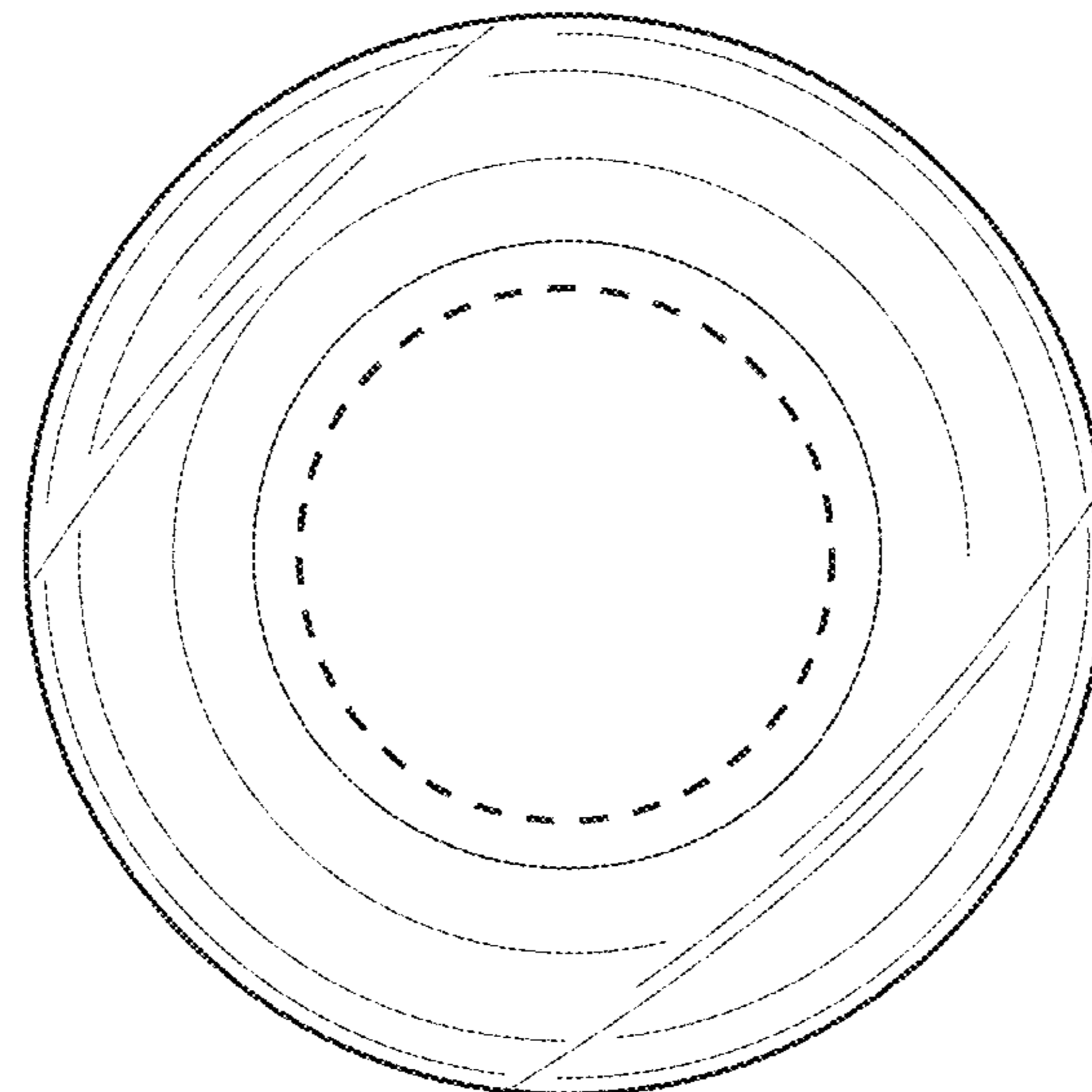


FIG. 3



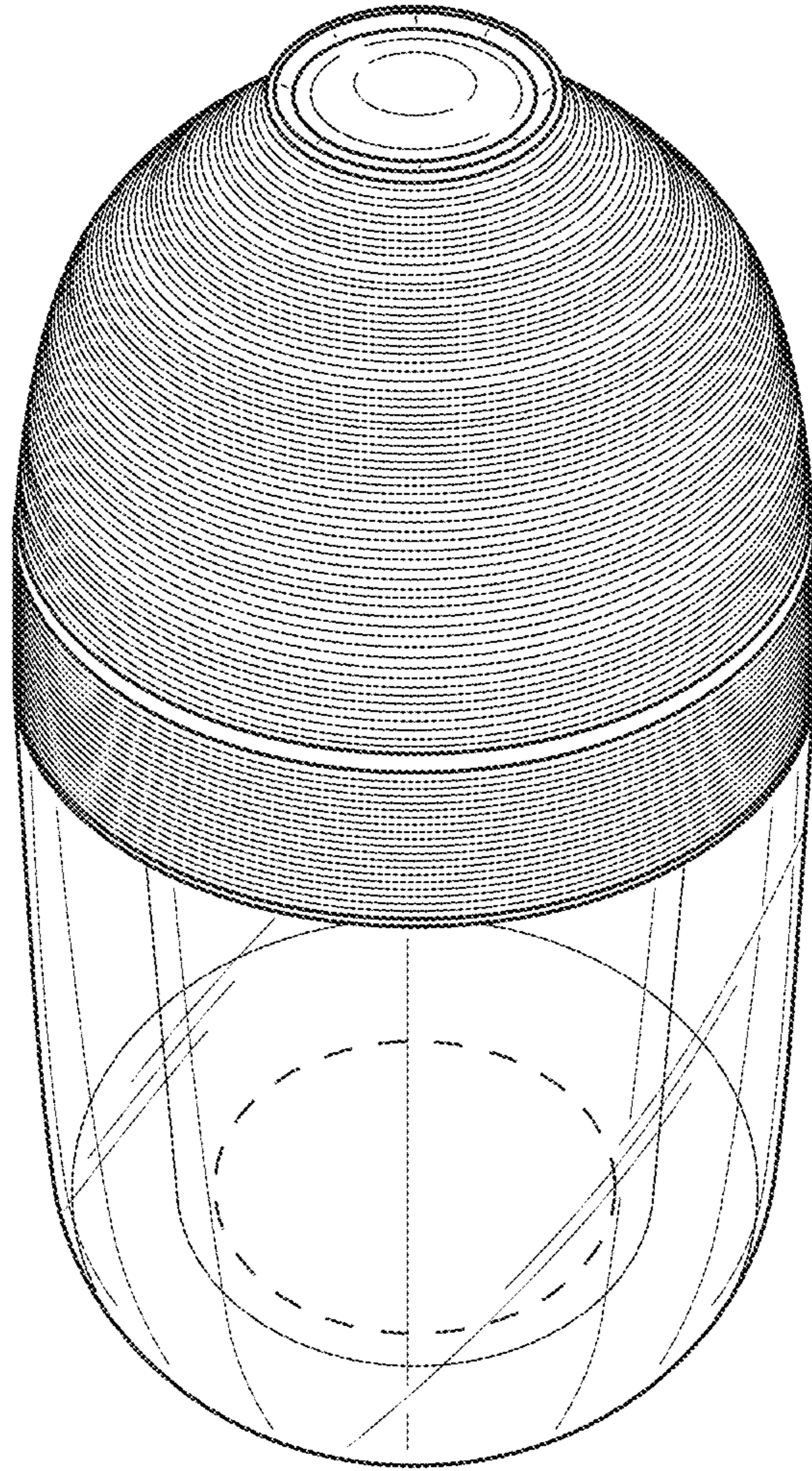


FIG. 4