



US00D722872S

(12) **United States Design Patent**
Bowman et al.

(10) **Patent No.:** **US D722,872 S**
(45) **Date of Patent:** **** Feb. 24, 2015**

(54) **STRAW AND CAP COMBINATION FOR USE WITH A BOTTLE**

GB 3021768 * 7/2005
GB 3021769 * 7/2005
KR 3003746550000 2/2005

(71) Applicant: **Fiji Water Company LLC**, Los Angeles, CA (US)

OTHER PUBLICATIONS

(72) Inventors: **David Bowman**, Hermosa Beach, CA (US); **Gabrielle d'Estries**, Malibu, CA (US)

<http://honda-tech.com/showthread.php?t=1852356> Posted by: It Wasn't Me on Sep. 13, 2008 at 12:35pm Retrieved on: Jan. 16, 2014.*
<http://www.advrider.com/forums/showthread.php?t=223516> Posted by: Stretch67 on Apr. 20, 2007 at 10:38pm Retrieved on: Jan. 16, 2014.*

(73) Assignee: **Fiji Water Company**, Los Angeles, CA (US)

<http://www.rcgroups.com/forums/showthread.php?t=988294> &page=418 Posted by: joesmith285 on Jan. 2, 2011 at 7:03pm Retrieved on: Jan. 28, 2014.*

(**) Term: **14 Years**

* cited by examiner

(21) Appl. No.: **29/444,133**

Primary Examiner — Susan Bennett Hattan
Assistant Examiner — Leanne Was

(22) Filed: **Jan. 25, 2013**

(74) *Attorney, Agent, or Firm* — Loeb & Loeb LLP

(51) **LOC (10) Cl.** **09-07**

(57) **CLAIM**

(52) **U.S. Cl.**
USPC **D9/436**

The ornamental design for a straw and cap combination for use with a bottle, as shown and described.

(58) **Field of Classification Search**
USPC D7/396.1, 396.2, 387, 500, 509, 510, D7/513, 523; D9/435, 436, 438, 447, 454, D9/529; 215/6, 228; 220/501, 503, 505, 220/506, 507, 703, 737
See application file for complete search history.

DESCRIPTION

(56) **References Cited**

U.S. PATENT DOCUMENTS

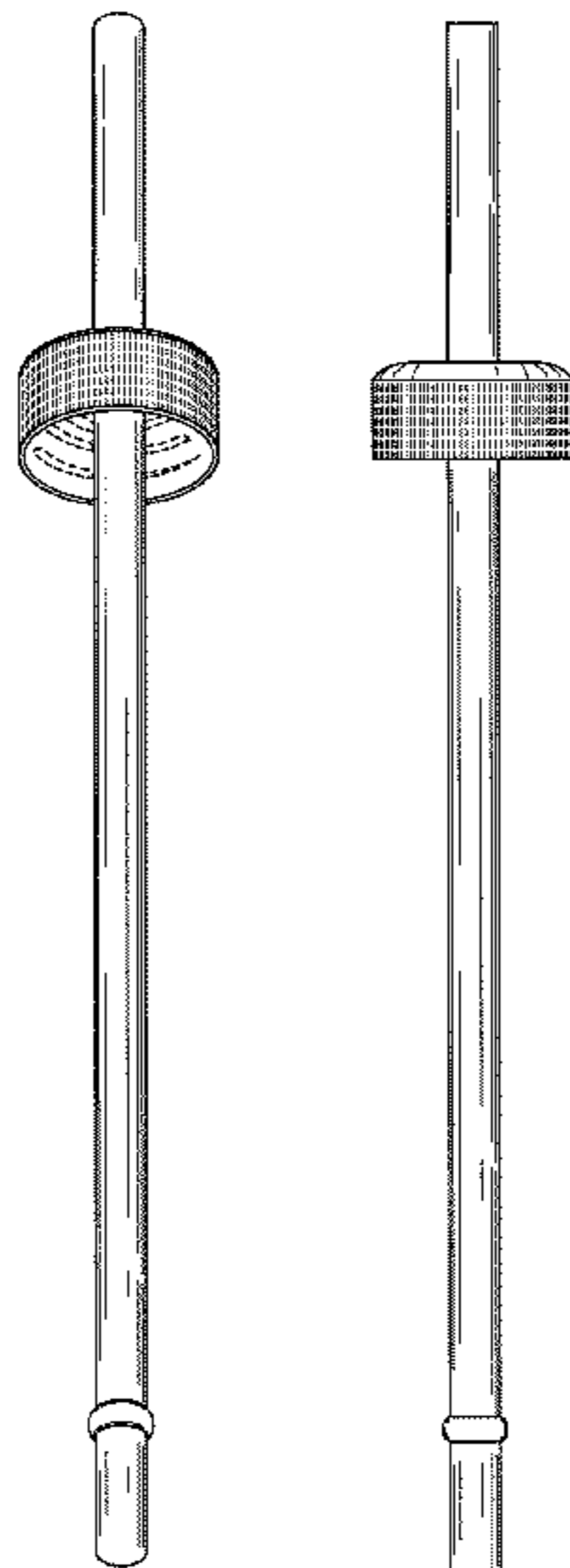
D324,824 S 3/1992 Hansen
D327,848 S * 7/1992 Hanover D9/436
D527,254 S * 8/2006 Antonelli D9/436
D573,017 S * 7/2008 Henderson D9/436
2010/0127004 A1 * 5/2010 Ben-Sasson 220/703

FIG. 1 is a front elevational view of a straw and cap combination for use with a bottle.
FIG. 2 is a front perspective view of the straw and cap combination of FIG. 1.
FIG. 3 is a perspective view of the straw and cap combination of FIG. 1.
FIG. 4 is a front, back, and side elevational view of the straw and cap combination of FIG. 1.
FIG. 5 is a top plan view of the straw and cap combination of FIG. 1; and,
FIG. 6 is bottom plan view of the straw and cap combination of FIG. 1.
The broken lines appearing in the figures depict environmental structure and unclaimed portions of the article and form no part of the claimed design.

FOREIGN PATENT DOCUMENTS

GB 3021766 * 7/2005
GB 3021767 * 7/2005

1 Claim, 3 Drawing Sheets



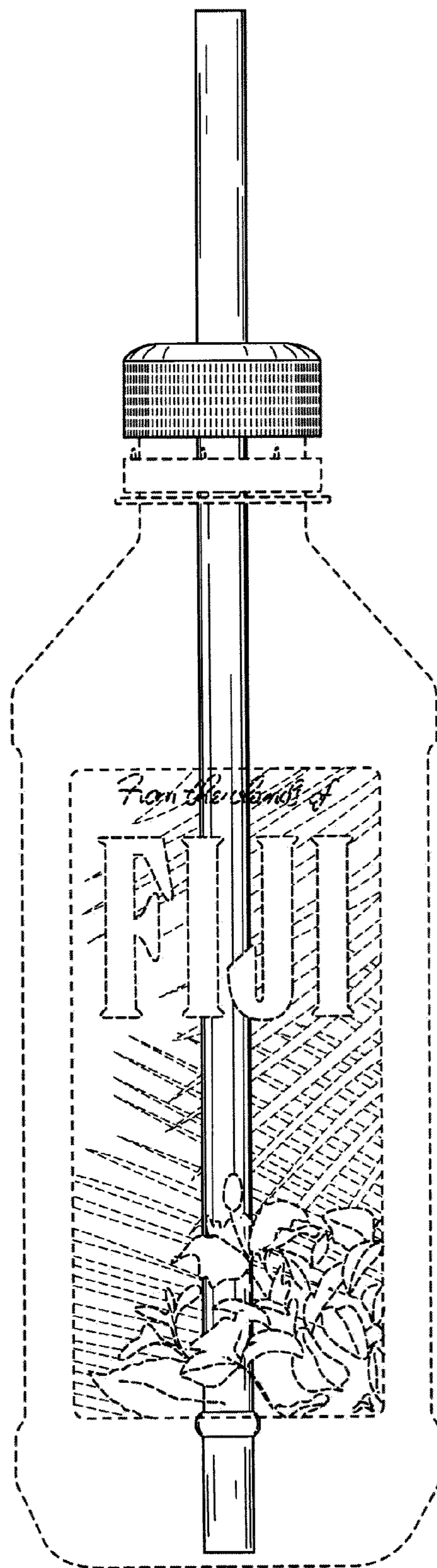


FIG. 1

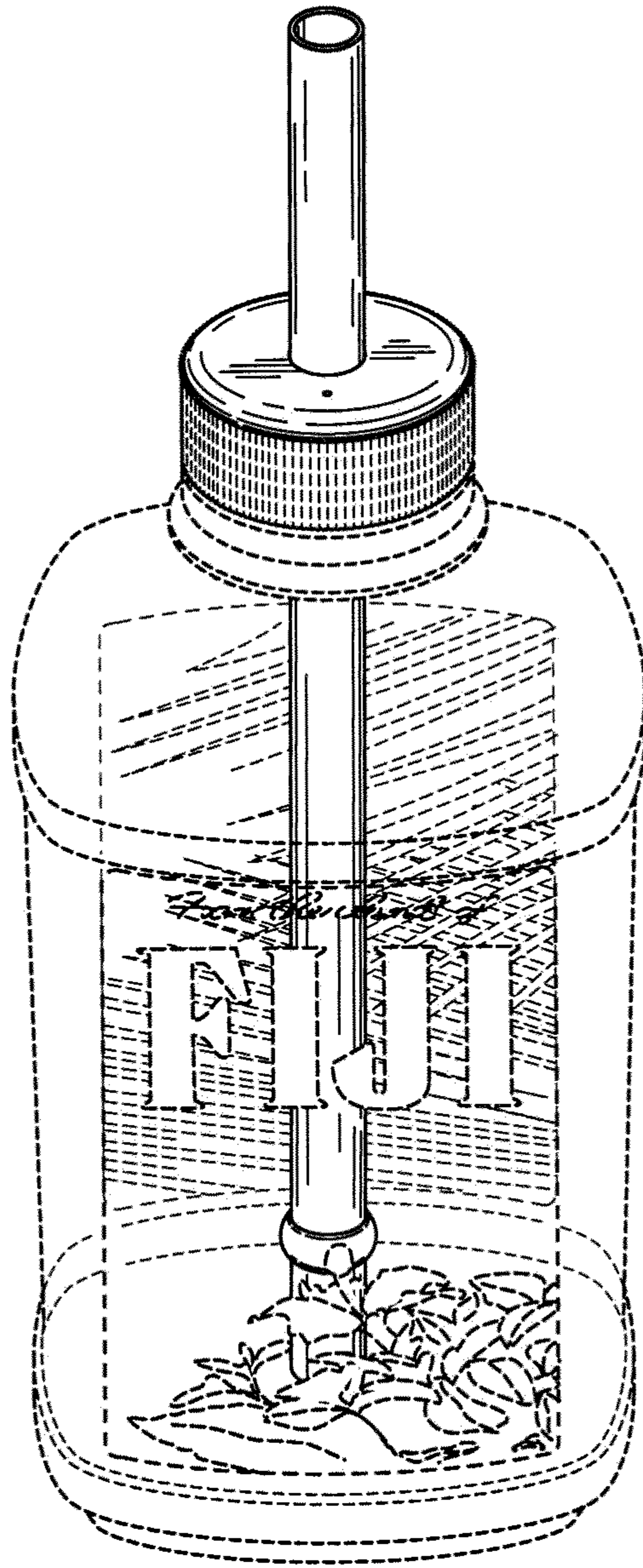


FIG. 2

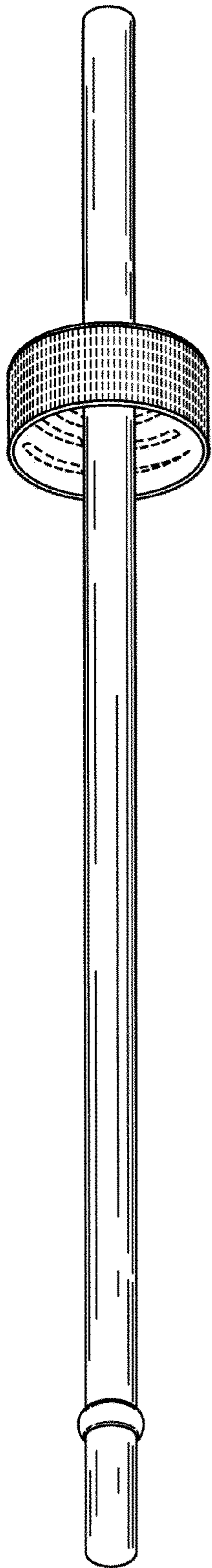


FIG. 3

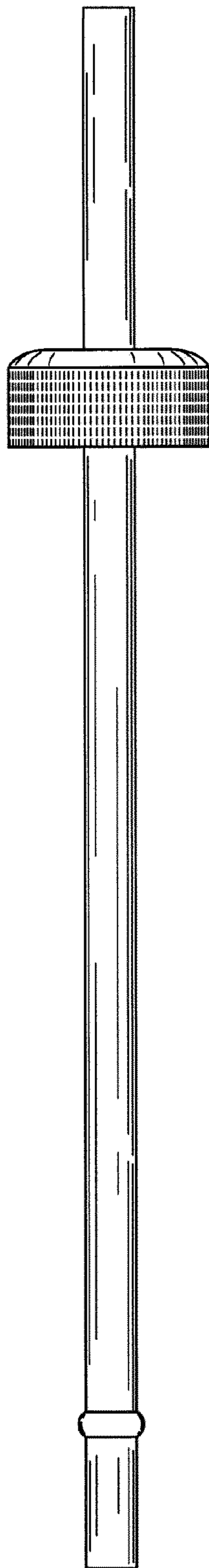


FIG. 4

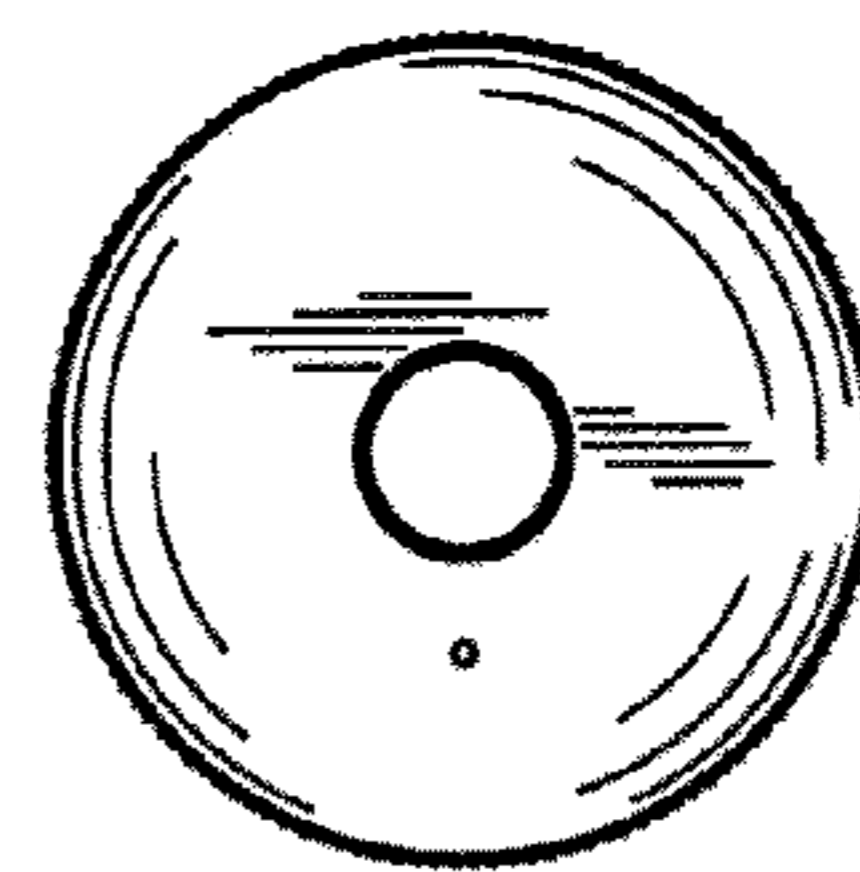


FIG. 5

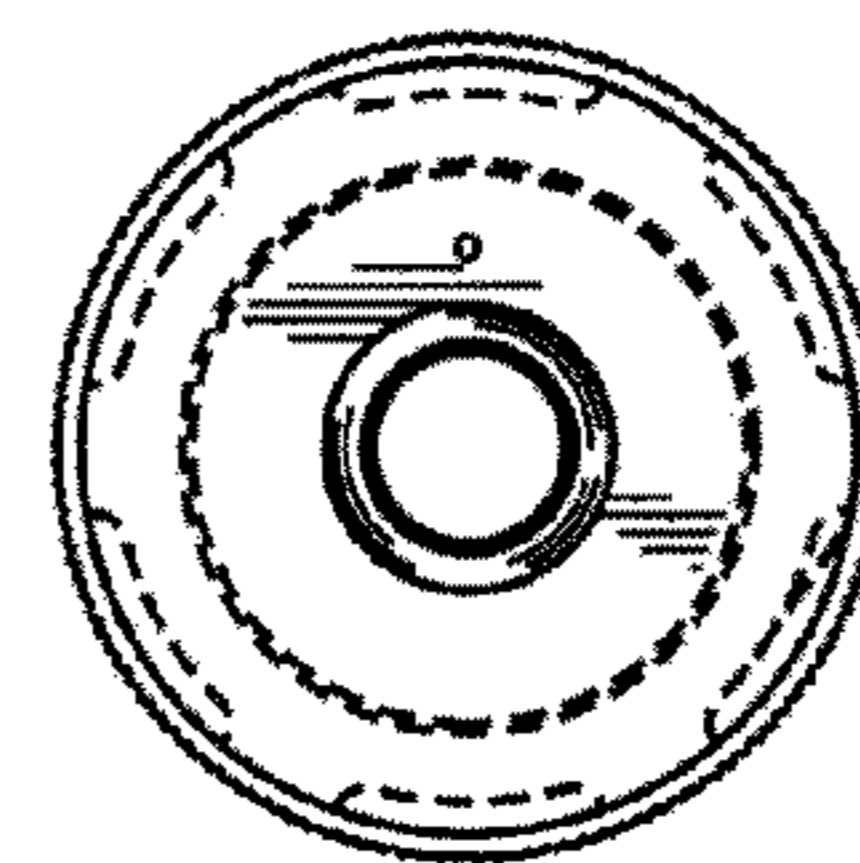


FIG. 6