



US00D722870S

(12) **United States Design Patent**
Fohner et al.

(10) **Patent No.:** **US D722,870 S**
(45) **Date of Patent:** **** Feb. 24, 2015**

(54) **PACKAGING ASSEMBLY**

(71) Applicant: **Google Inc.**, Mountain View, CA (US)

(72) Inventors: **Benjamin George Fohner**, San Francisco, CA (US); **Adam Richardson**, Livermore, CA (US); **Christopher George Palmer**, Livermore, CA (US); **Steve Shainwald**, Livermore, CA (US); **Sherry Shiyi Chen**, Santa Barbara, CA (US); **Diane Stember Richards**, San Jose, CA (US); **Jefferey Brian Gardner**, San Jose, CA (US)

(73) Assignee: **Google Inc.**, Mountain View, CA (US)

(**) Term: **14 Years**

(21) Appl. No.: **29/468,902**

(22) Filed: **Oct. 4, 2013**

(51) **LOC (10) Cl.** **09-03**

(52) **U.S. Cl.**
USPC **D9/432; D9/424**

(58) **Field of Classification Search**
CPC B65D 5/00; B65D 5/0015; B65D 5/0045;
B65D 5/18; B65D 5/40; B65D 5/2033;
B65D 1/22; B65D 1/225; B65D 1/24; B65D
1/34; B65D 1/38
USPC D9/414-433, 444-445, 456, 711, 715,
D9/718, 748; D7/601, 602, 538, 540,
D7/550.1; D3/203.5, 202, 207, 210;
D4/116

See application file for complete search history.

(56) **References Cited**

U.S. PATENT DOCUMENTS

D292,626 S * 11/1987 Chevassus D28/78
D496,585 S * 9/2004 McBride et al. D9/423
D547,175 S * 7/2007 Berg D9/423
D552,465 S * 10/2007 Ringo D9/415
D554,502 S * 11/2007 Hoffman et al. D9/432
D614,022 S * 4/2010 Melnick D9/415
D617,637 S * 6/2010 Anderson et al. D9/432

D668,948 S * 10/2012 LaTrobe D9/423
D672,643 S * 12/2012 Giraud D9/421
D685,654 S * 7/2013 Akana et al. D9/737
D701,456 S * 3/2014 Farley et al. D9/420
D705,049 S * 5/2014 Akana et al. D9/418
D708,055 S * 7/2014 Elston et al. D9/423

OTHER PUBLICATIONS

HP Chromebook 11: When it comes to packaging, less is more. [online] Published Jan. 16, 2014 from URL: <<http://www.liquidagency.com/blog/hp-chromebook-11-when-it-comes-to-packaging-less-is-more/#.VByXuvIdVUw>>.*

* cited by examiner

Primary Examiner — Susan Bennett Hattan

Assistant Examiner — Vy Koenig

(74) *Attorney, Agent, or Firm* — Lerner, David, Littenberg, Krumholz & Mentlik, LLP

(57) **CLAIM**

The ornamental design for a packaging assembly, as shown and described.

DESCRIPTION

FIG. 1 is a front perspective view of a packaging assembly according to our design shown in an assembled and closed configuration thereof;
FIG. 2 is a front elevation view of the packaging assembly of FIG. 1;
FIG. 3 is a back elevation view of the packaging assembly of FIG. 1;
FIG. 4 is a right elevation view of the packaging assembly of FIG. 1;
FIG. 5 is a left elevation view of the packaging assembly of FIG. 1;
FIG. 6 is a top elevation view of the packaging assembly of FIG. 1;
FIG. 7 is a bottom elevation view of the packaging assembly of FIG. 1;
FIG. 8 is an exploded perspective view of the packaging assembly of FIG. 1 shown in combination with unclaimed structures with which the design may be used;

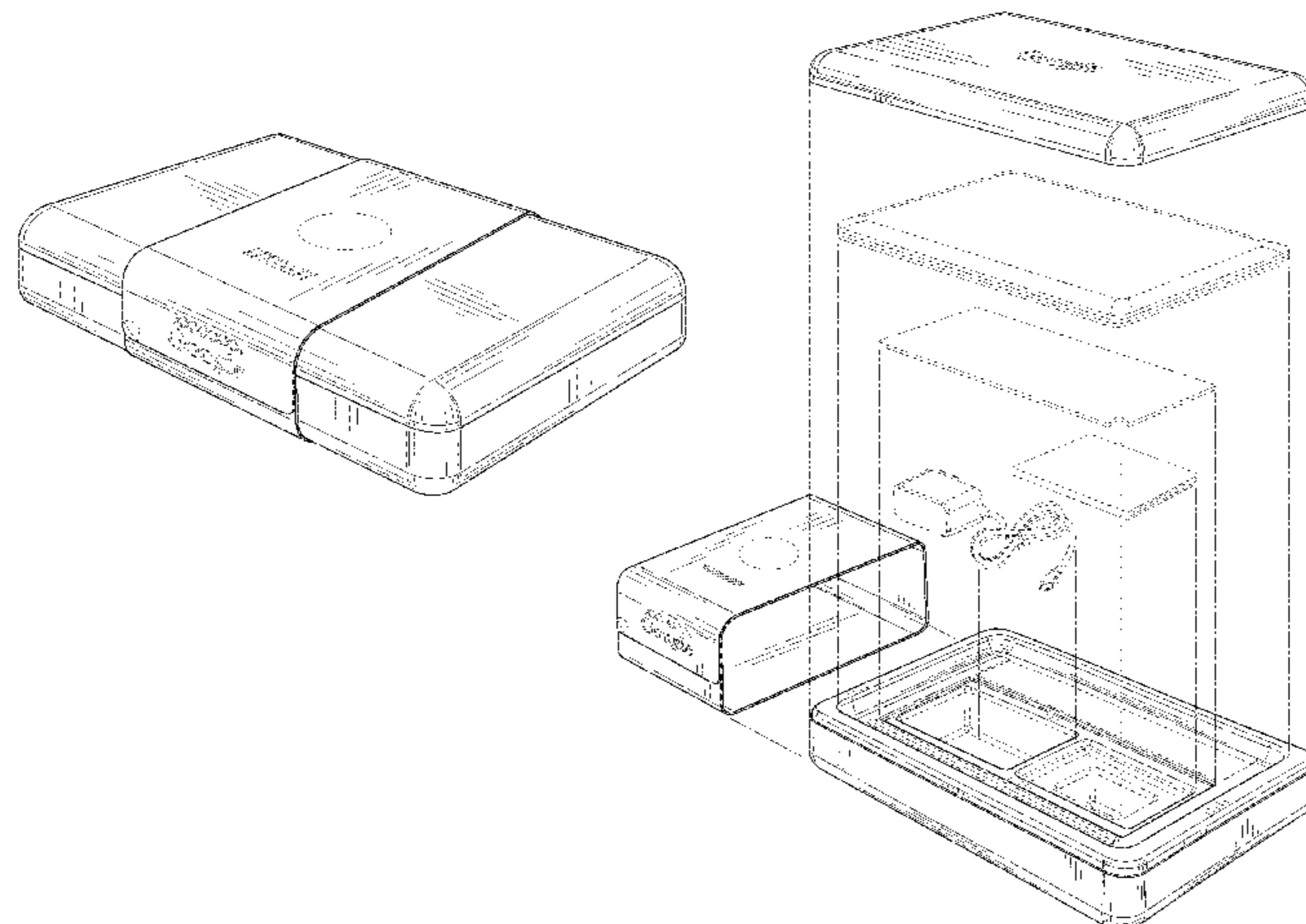


FIG. 9 is a front perspective view of the packaging assembly of FIG. 1 in a first partially assembled configuration;
FIG. 10 is a front perspective view of the packaging assembly of FIG. 1 in a second partially assembled configuration;
FIG. 11 is a front perspective view of a first portion of the packaging assembly of FIG. 1, shown separately for ease of illustration;
FIG. 12 is a front elevation view of the packaging assembly portion of FIG. 10;
FIG. 13 is a back elevation view of the packaging assembly portion of FIG. 10;
FIG. 14 is a right elevation view of the packaging assembly portion of FIG. 10;
FIG. 15 is a left elevation view of the packaging assembly portion of FIG. 10;
FIG. 16 is a top elevation view of the packaging assembly portion of FIG. 10;
FIG. 17 is a bottom elevation view of the packaging assembly portion of FIG. 10;
FIG. 18 is a front perspective view of a second portion of the packaging assembly of FIG. 1, shown separately for ease of illustration;
FIG. 19 is a front elevation view of the packaging assembly portion of FIG. 18;
FIG. 20 is a back elevation view of the packaging assembly portion of FIG. 18;

FIG. 21 is a right elevation view of the packaging assembly portion of FIG. 18;
FIG. 22 is a left elevation view of the packaging assembly portion of FIG. 18;
FIG. 23 is a top elevation view of the packaging assembly portion of FIG. 18;
FIG. 24 is a bottom elevation view of the packaging assembly portion of FIG. 18;
FIG. 25 is a front perspective view of a third portion of the packaging assembly of FIG. 1, shown separately for ease of illustration;
FIG. 26 is a front elevation view of the packaging assembly portion of FIG. 25;
FIG. 27 is a back elevation view of the packaging assembly portion of FIG. 25;
FIG. 28 is a right elevation view of the packaging assembly portion of FIG. 25;
FIG. 29 is a left elevation view of the packaging assembly portion of FIG. 25;
FIG. 30 is a top elevation view of the packaging assembly portion of FIG. 25; and,
FIG. 31 is a bottom elevation view of the packaging assembly portion of FIG. 25.
Broken lines are environmental only and form no part of the claimed design.

1 Claim, 18 Drawing Sheets

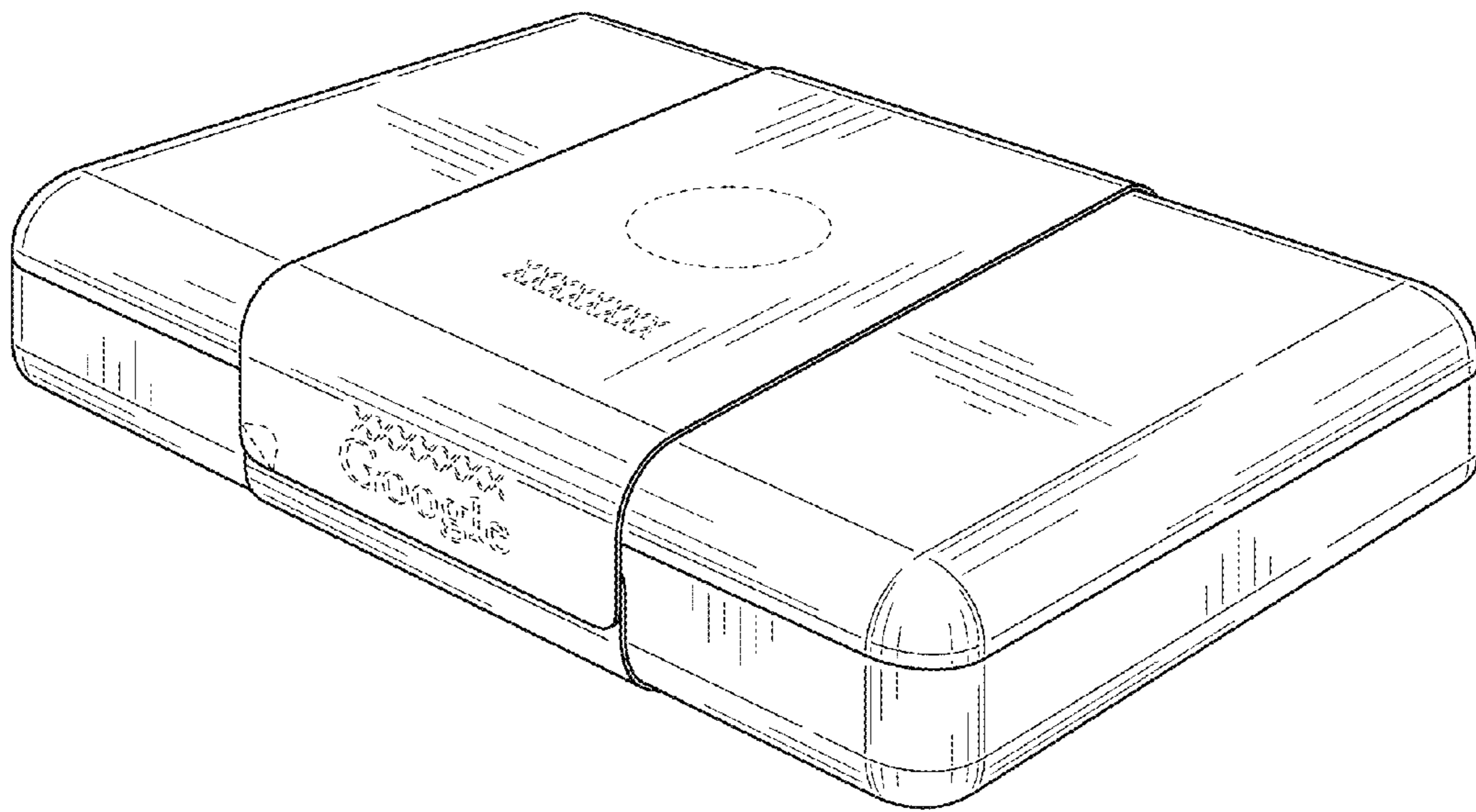


FIG. 1

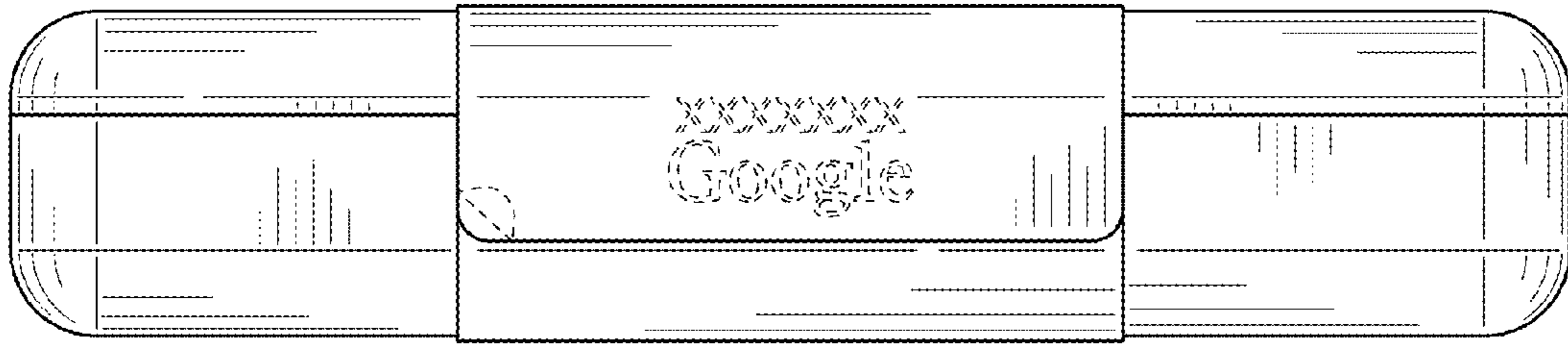


FIG. 2

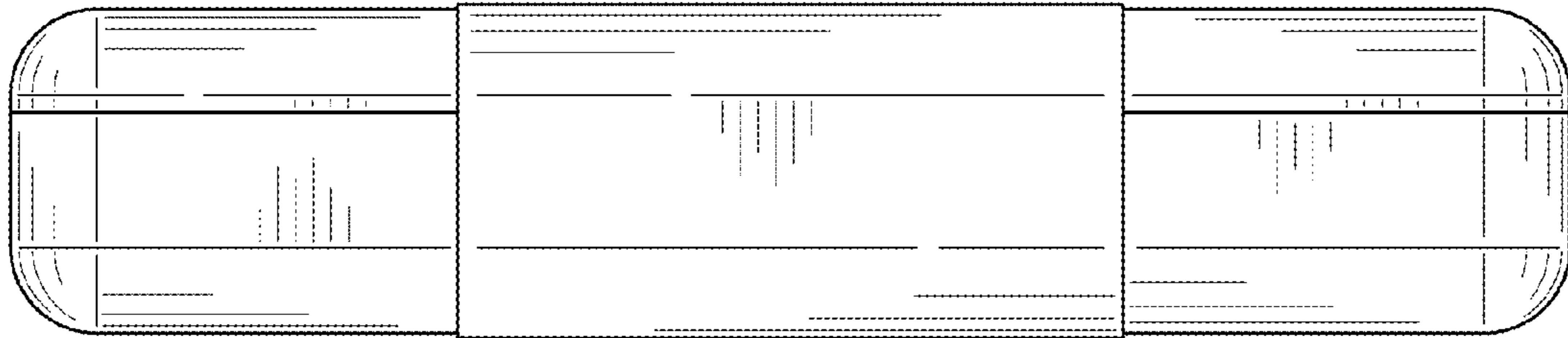


FIG. 3

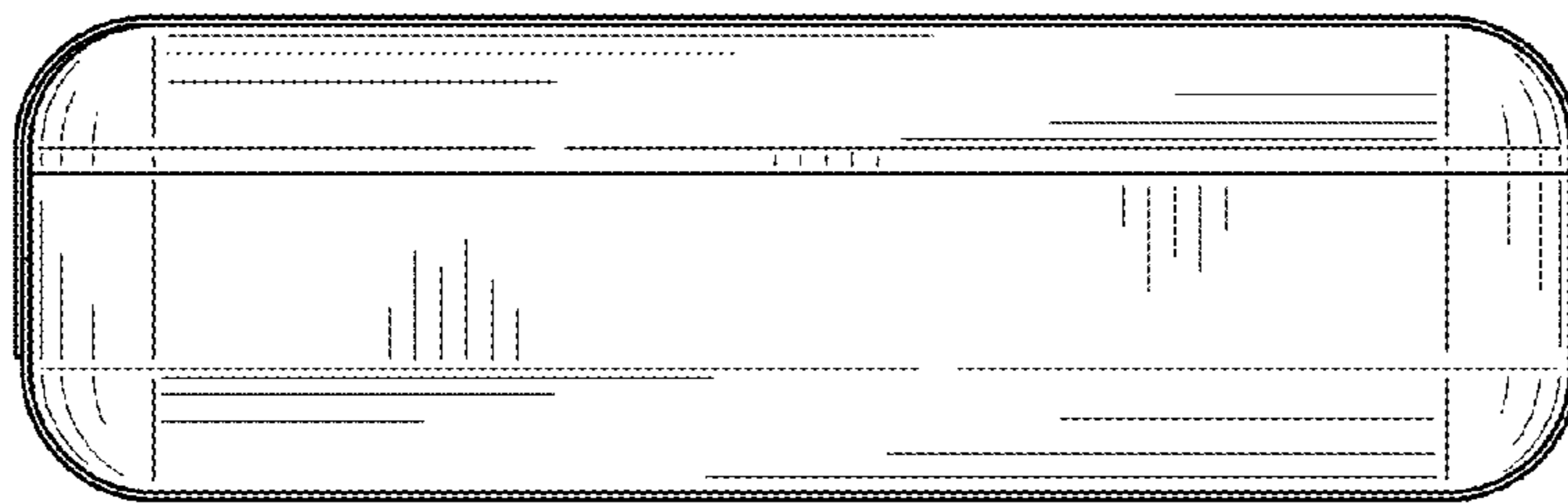


FIG. 4

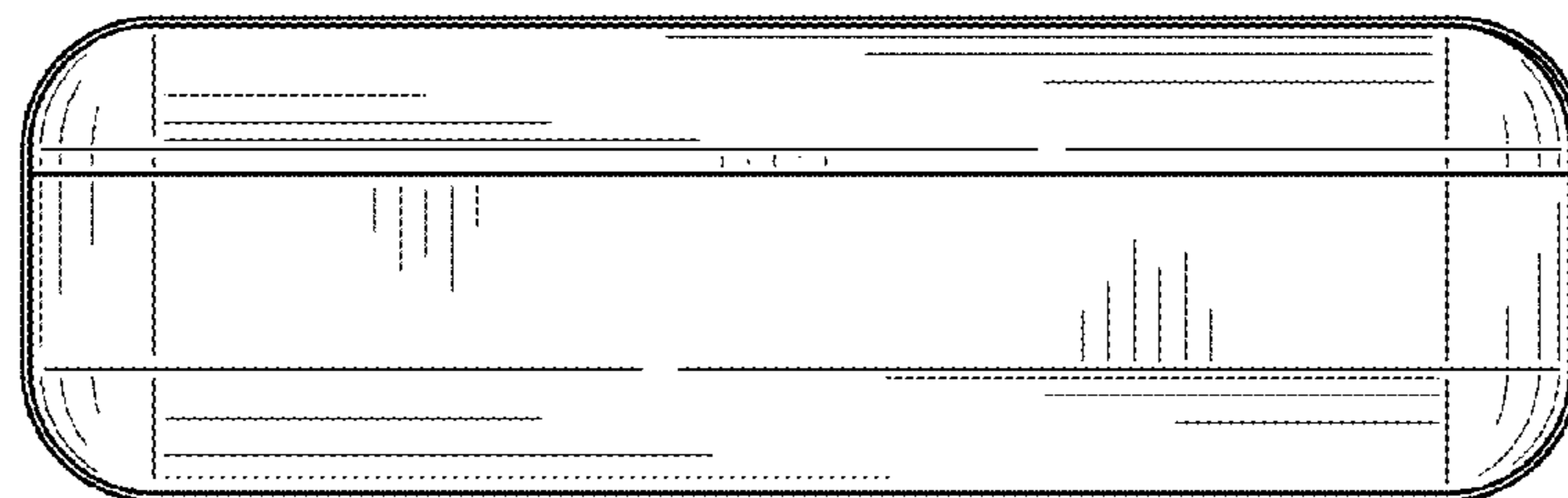


FIG. 5

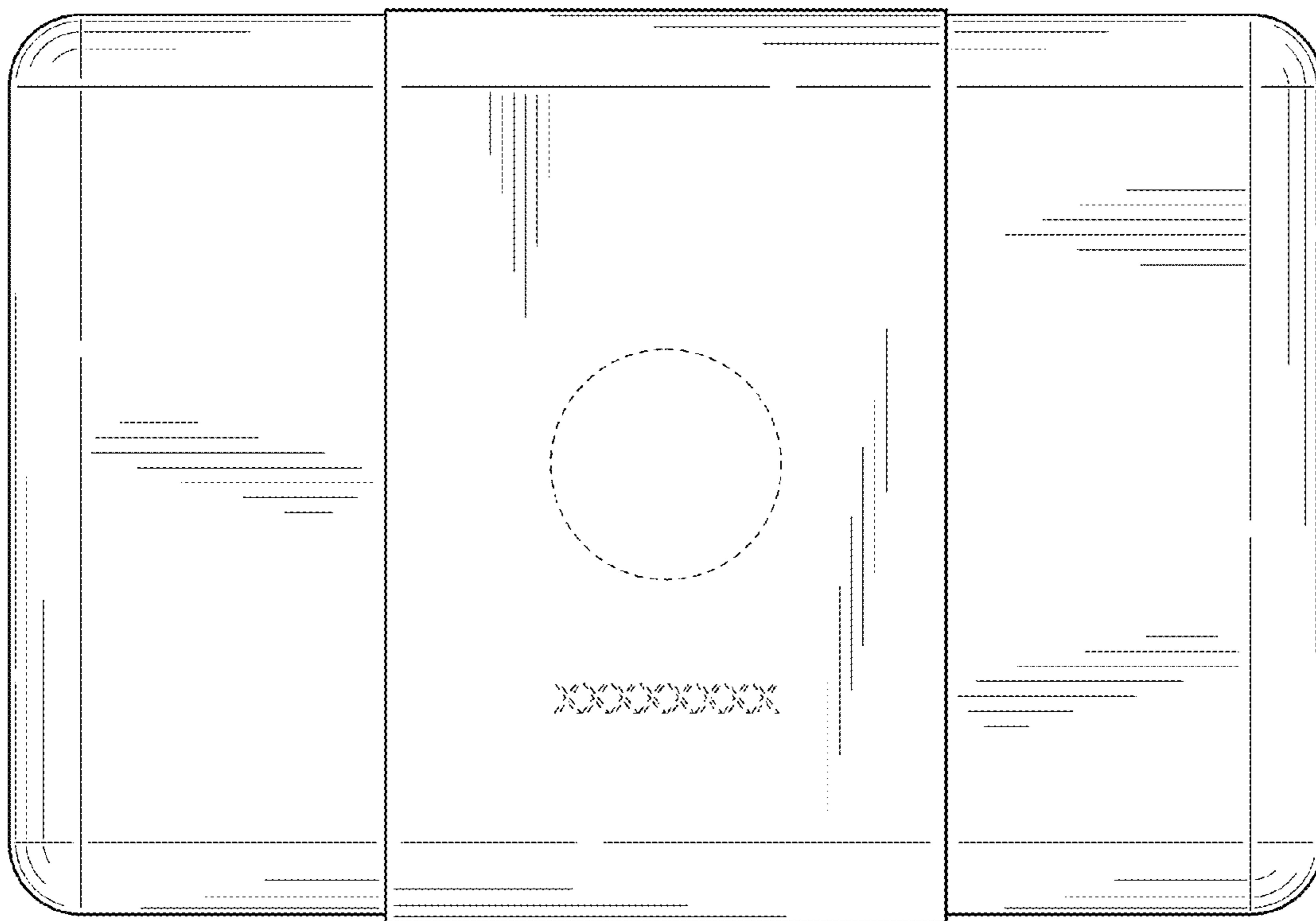


FIG. 6

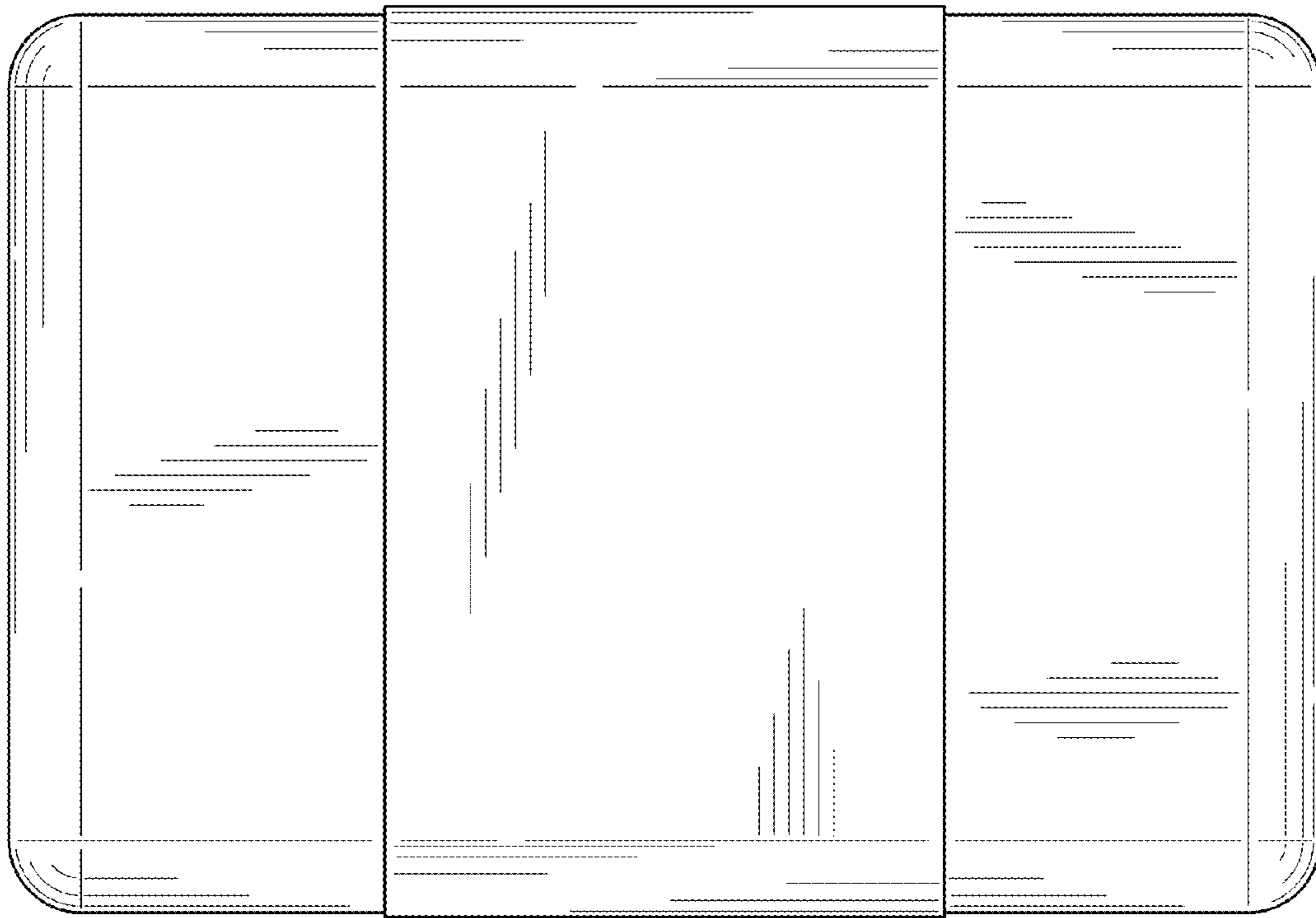


FIG. 7

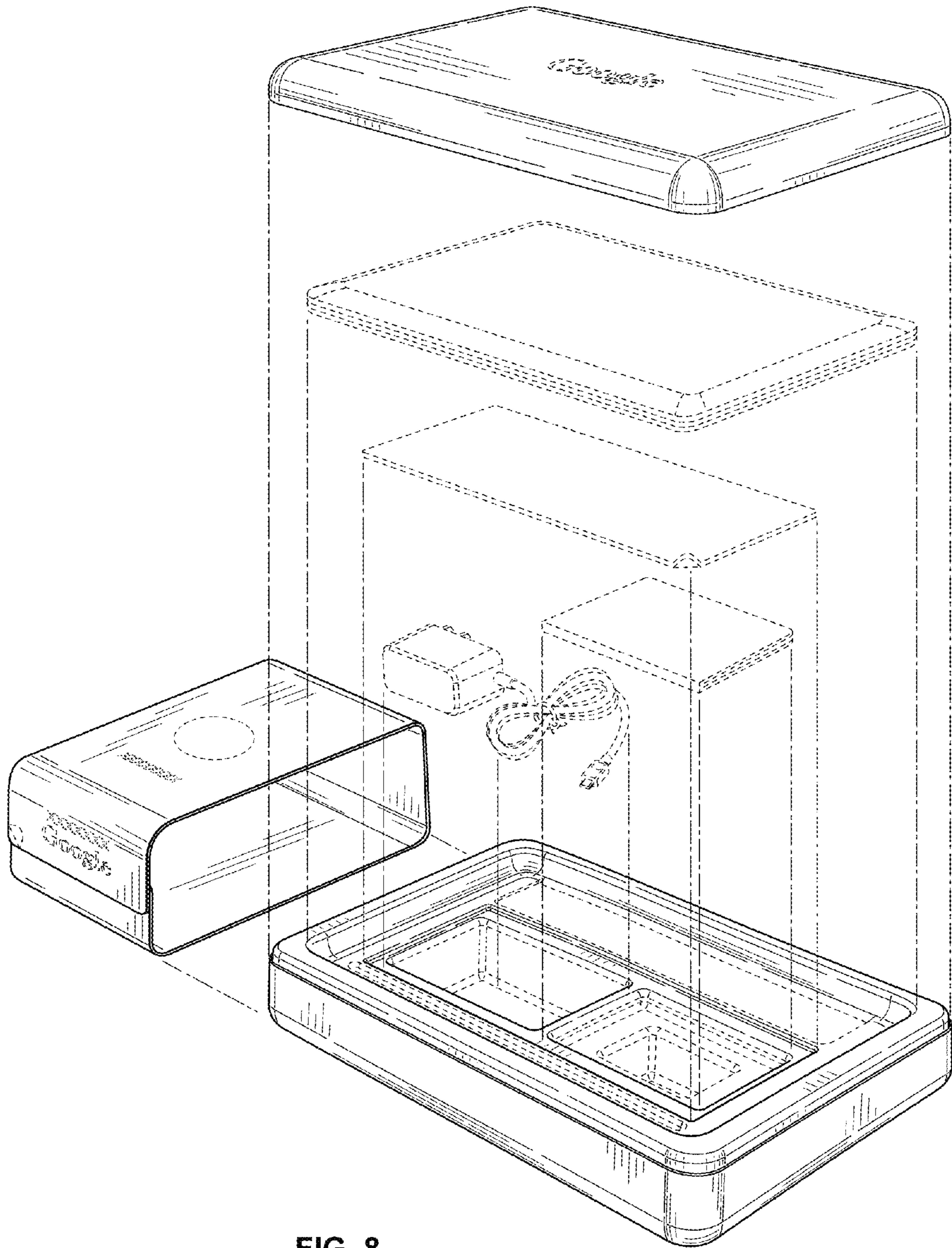


FIG. 8

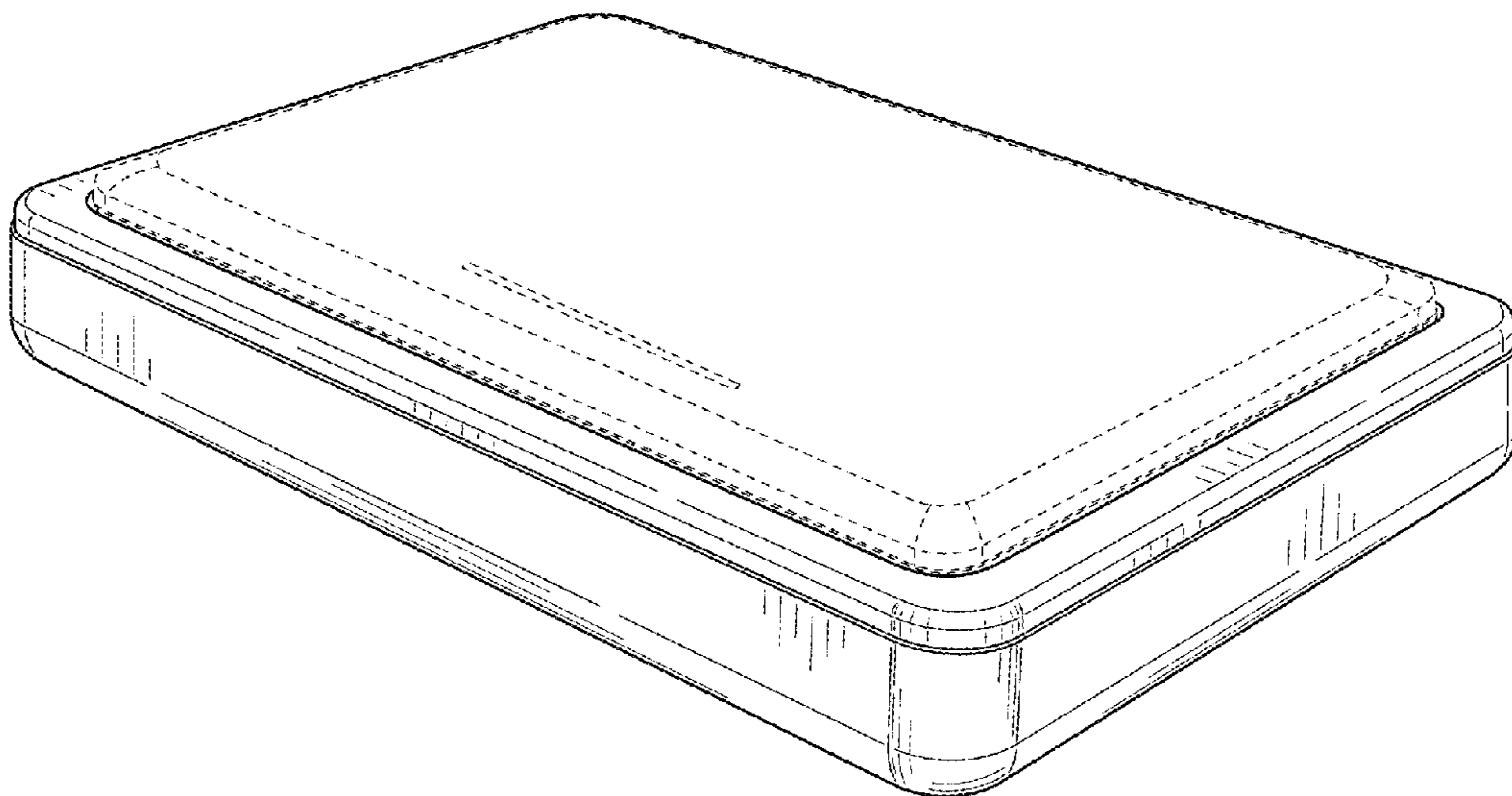


FIG. 9

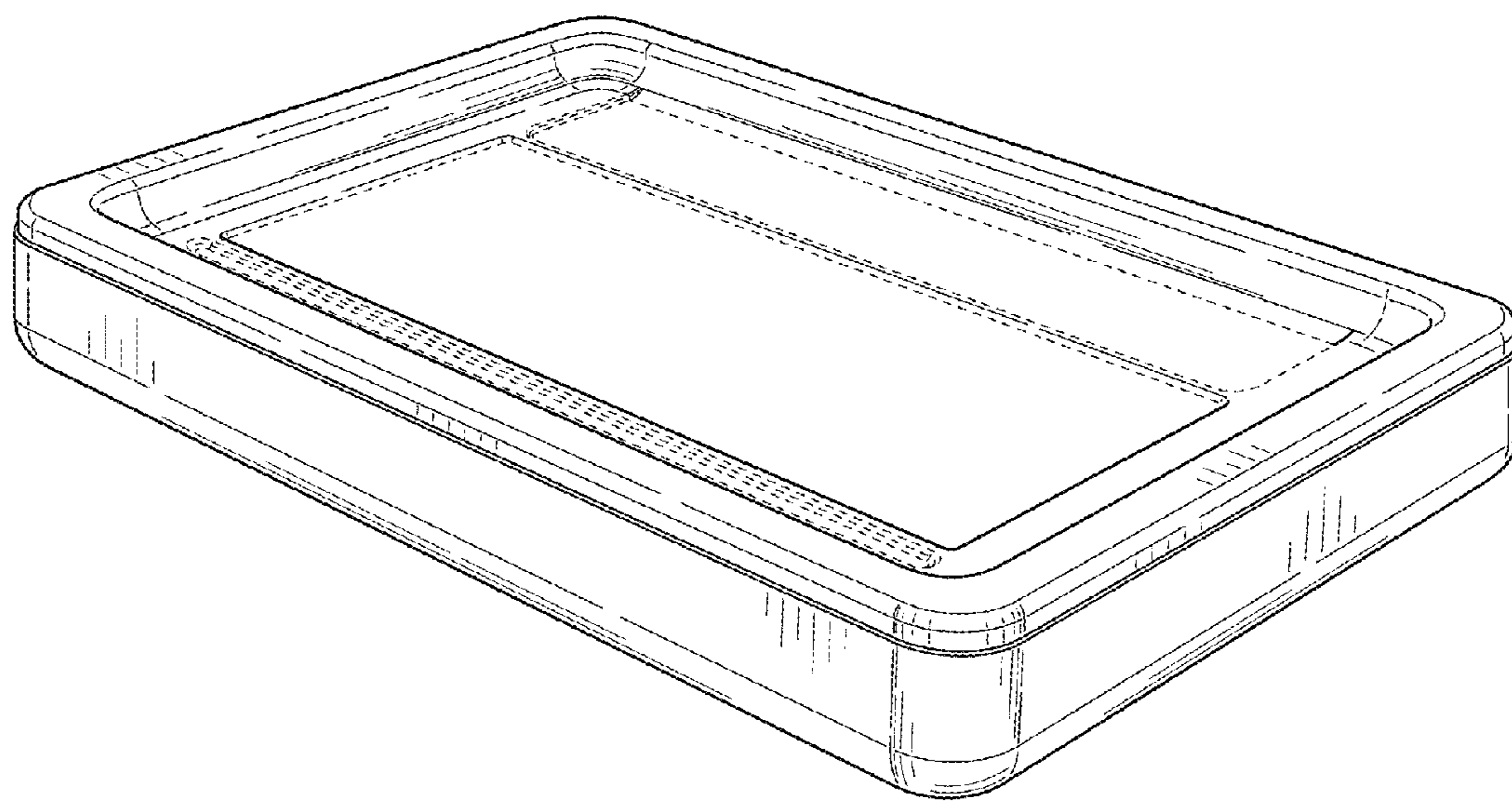


FIG. 10

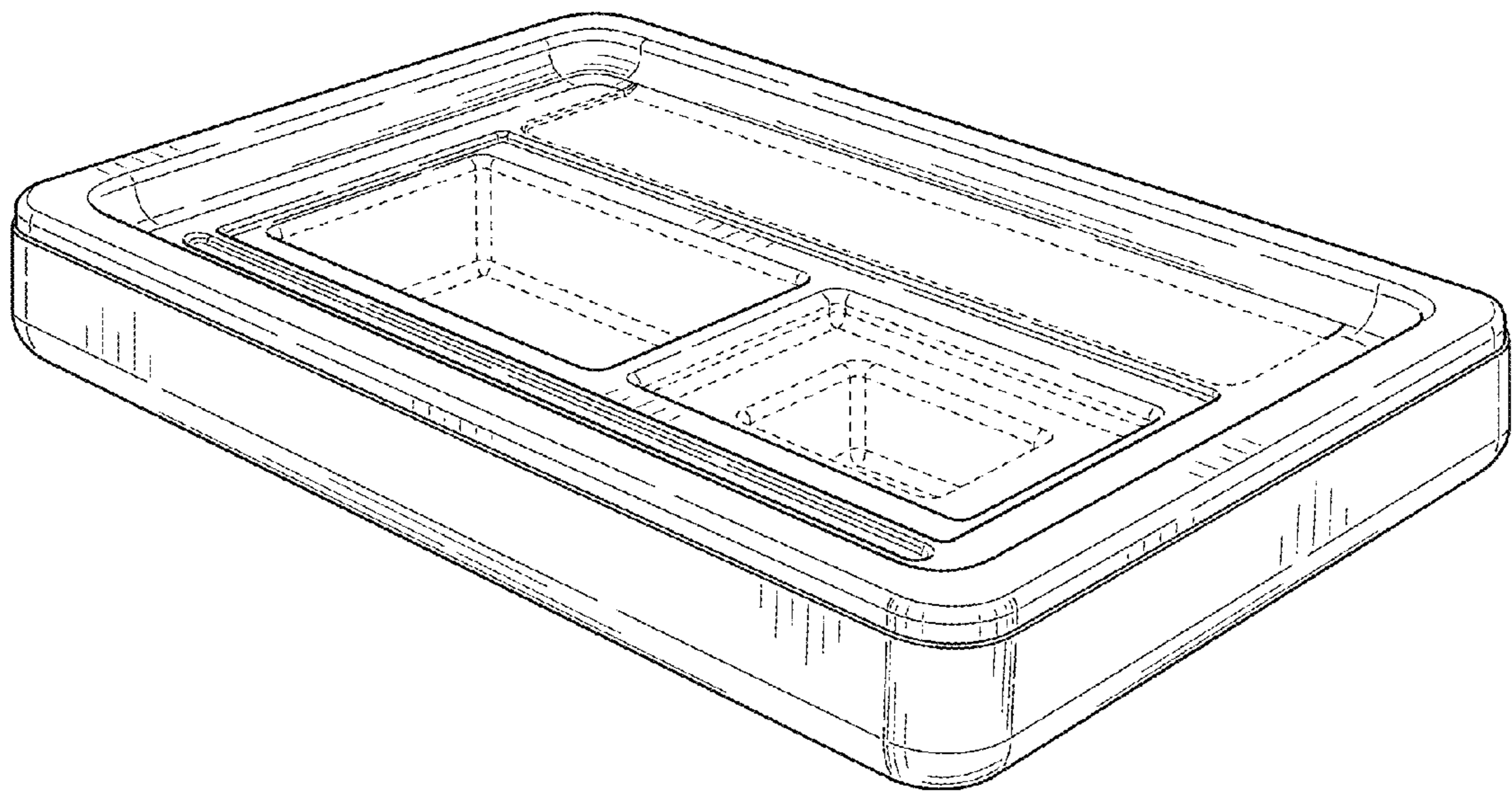


FIG. 11

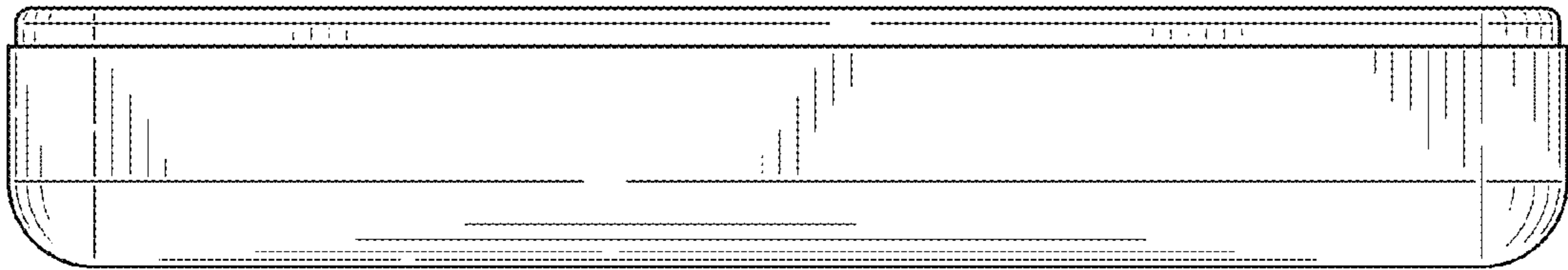


FIG. 12

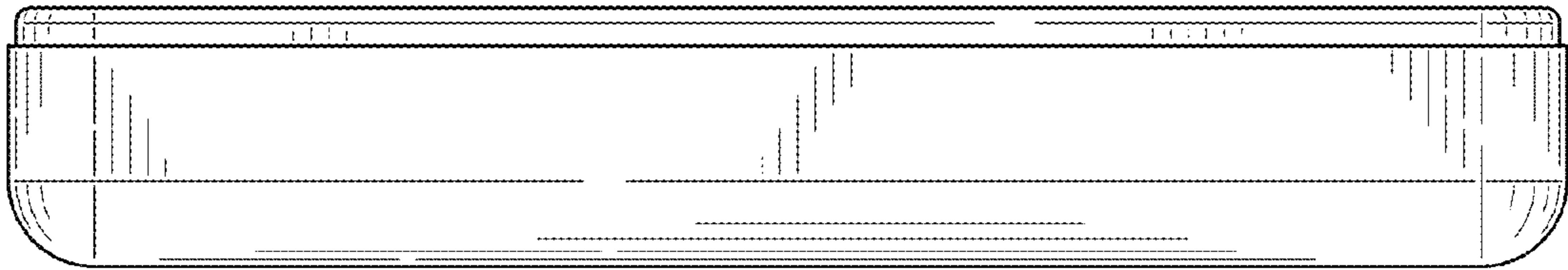


FIG. 13

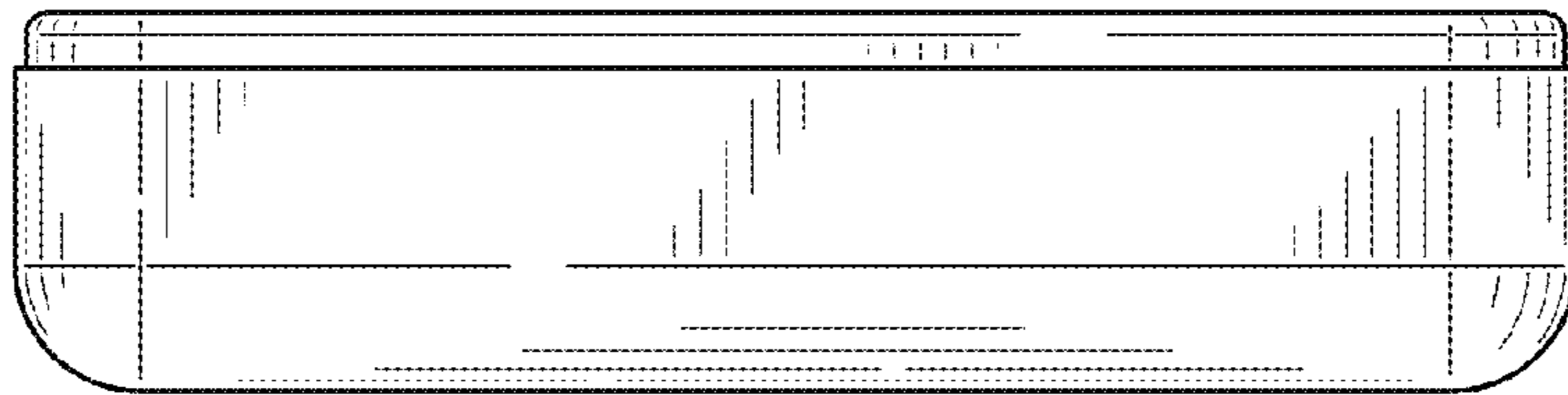


FIG. 14

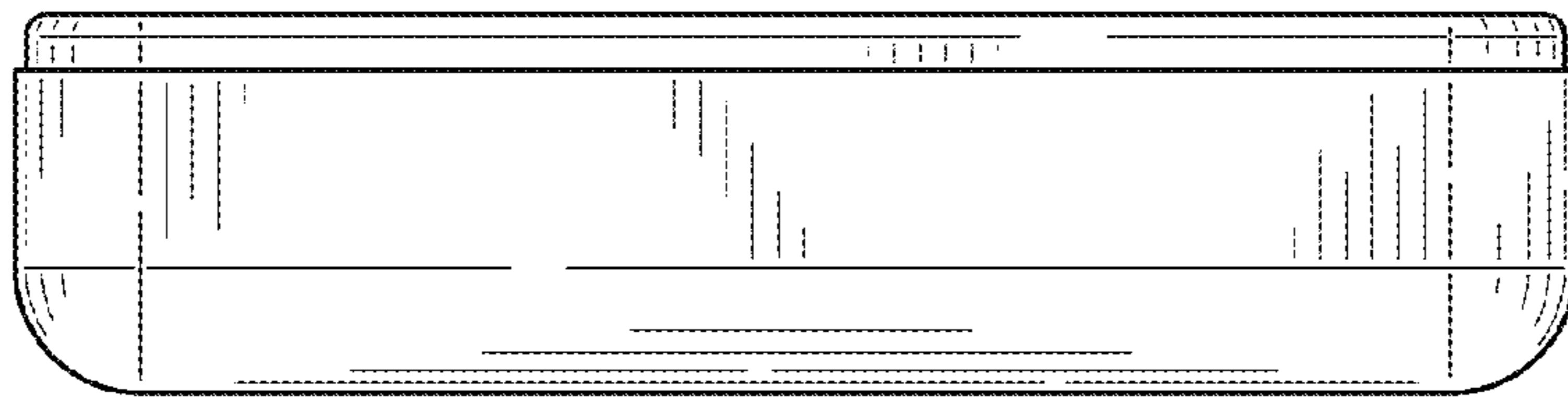


FIG. 15

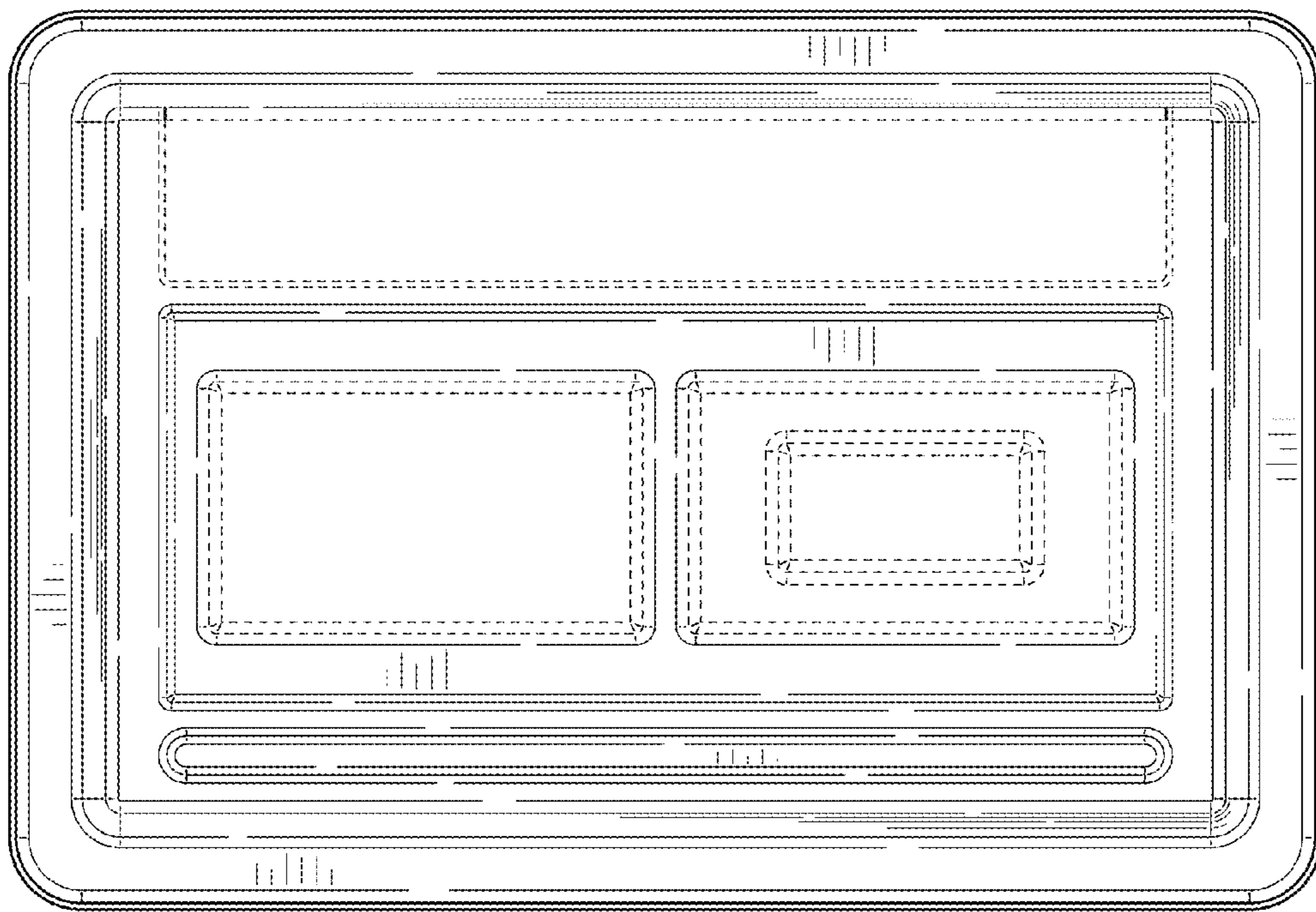


FIG. 16



FIG. 17

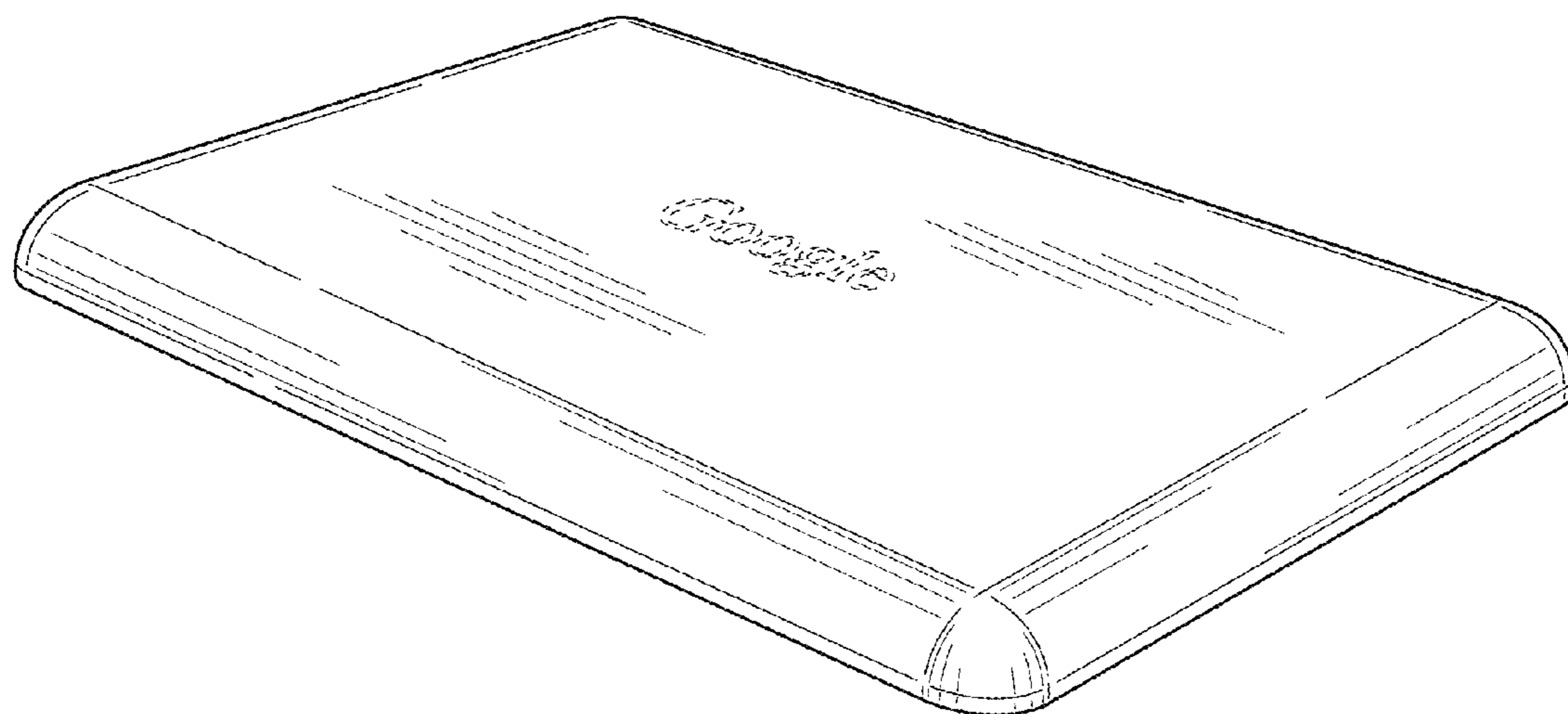


FIG. 18



FIG. 19

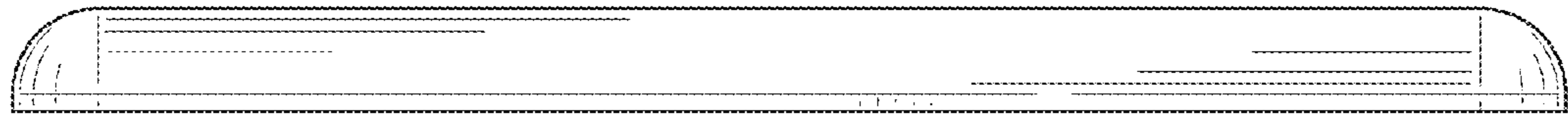


FIG. 20

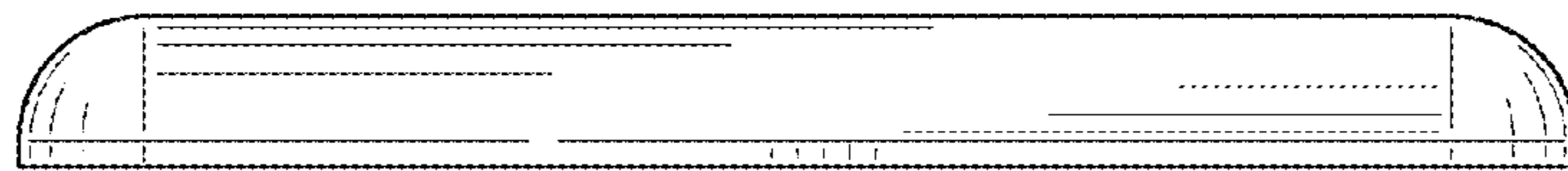


FIG. 21

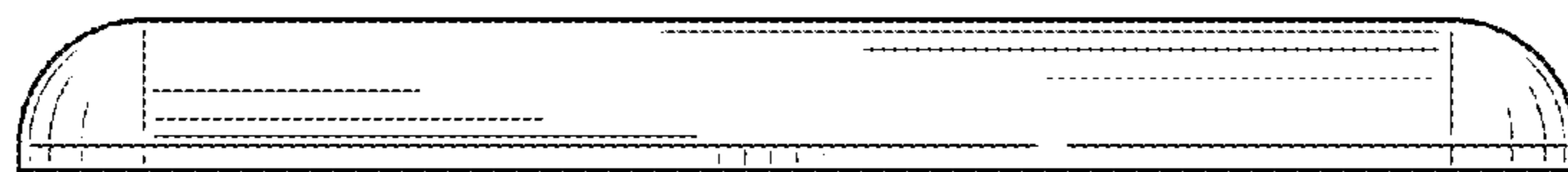


FIG. 22

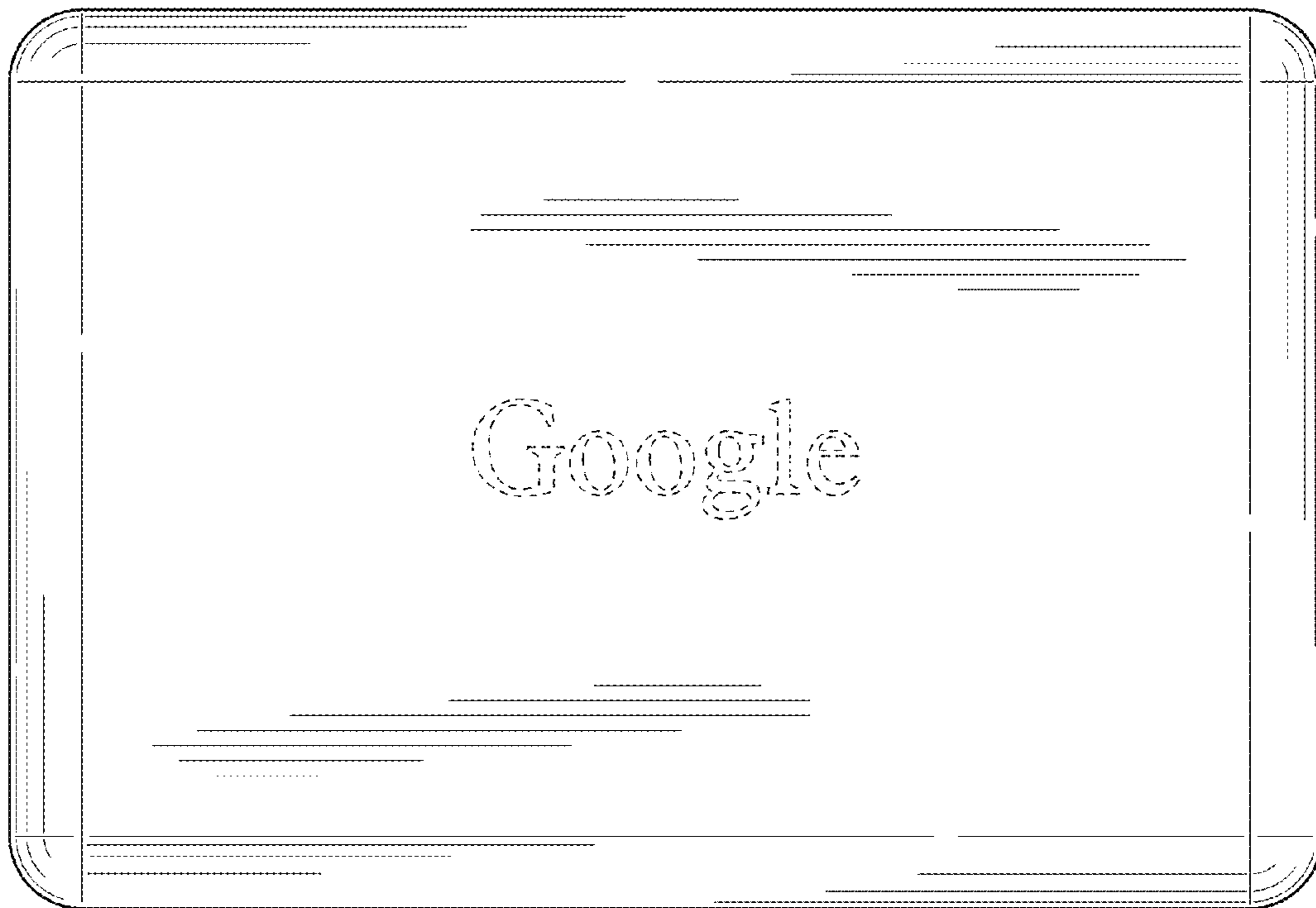


FIG. 23



FIG. 24

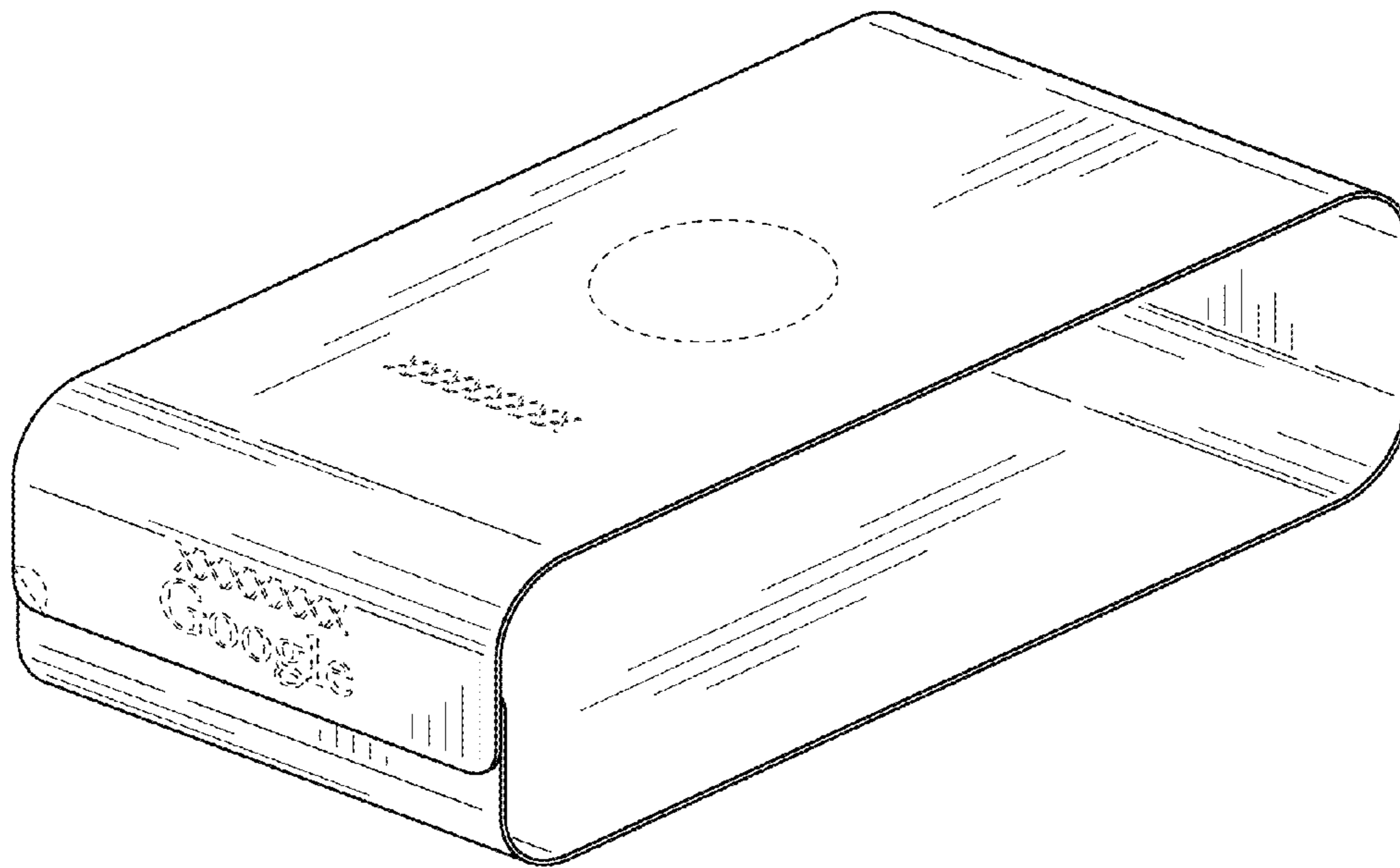


FIG. 25

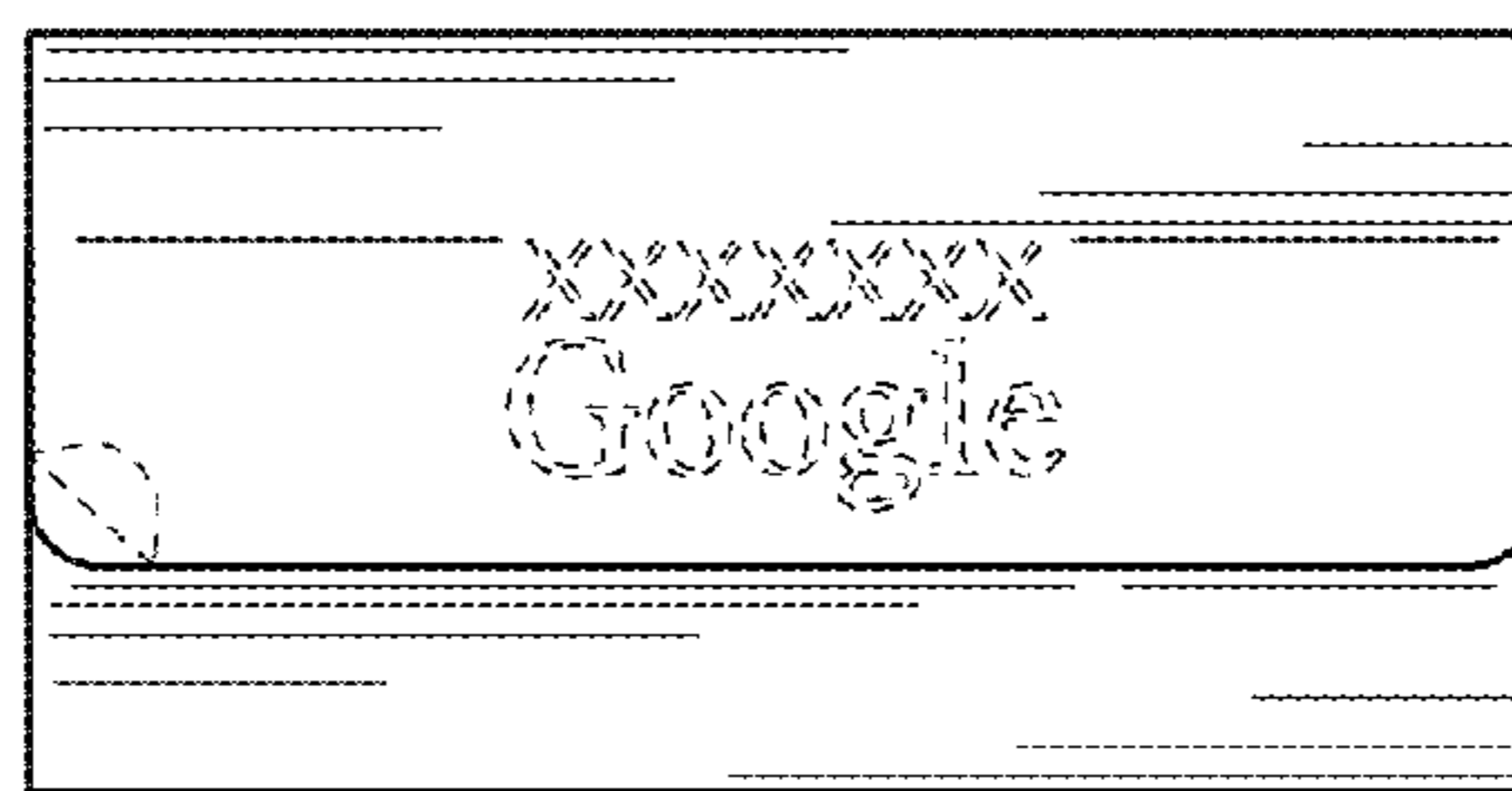


FIG. 26

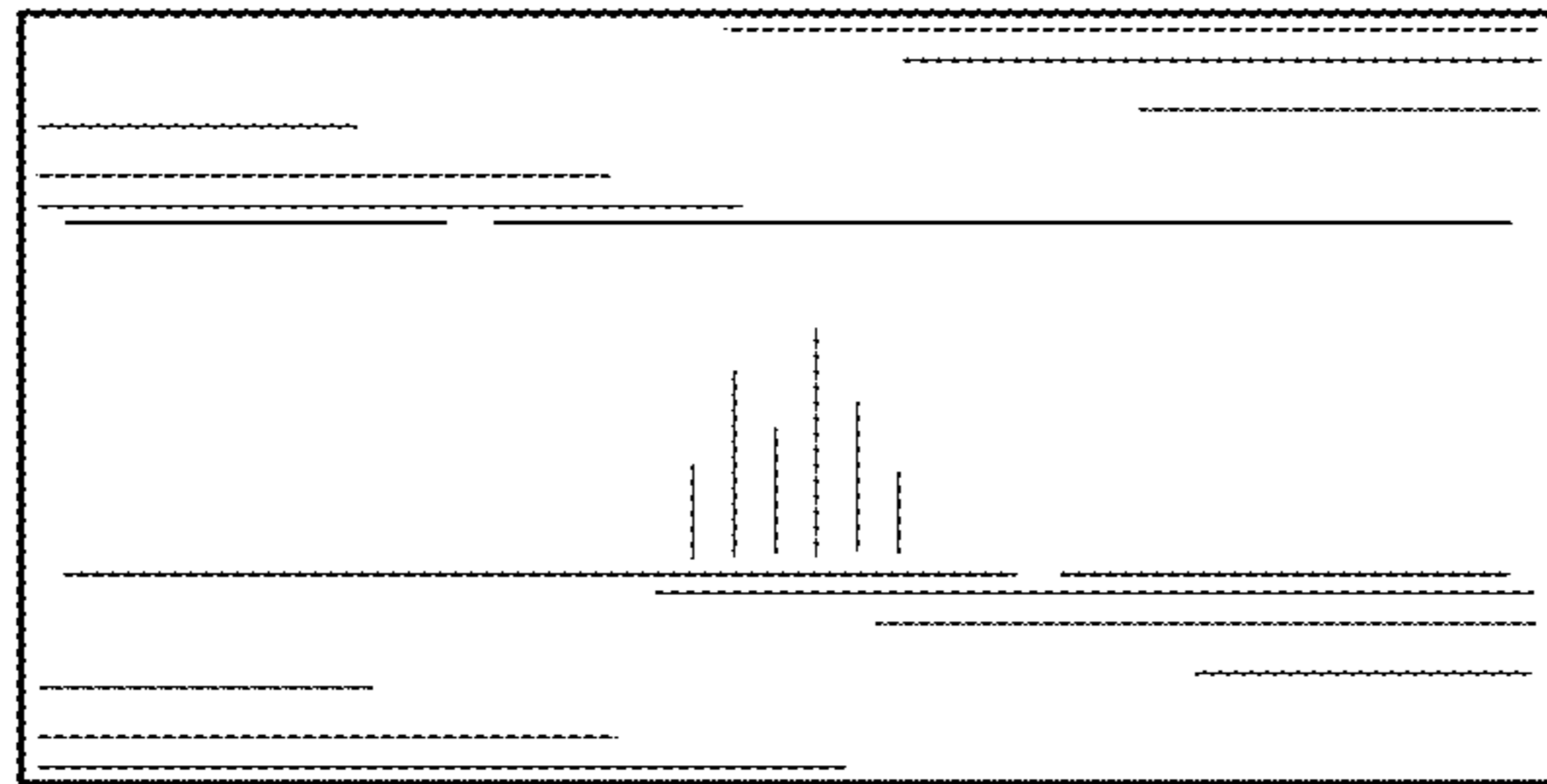


FIG. 27

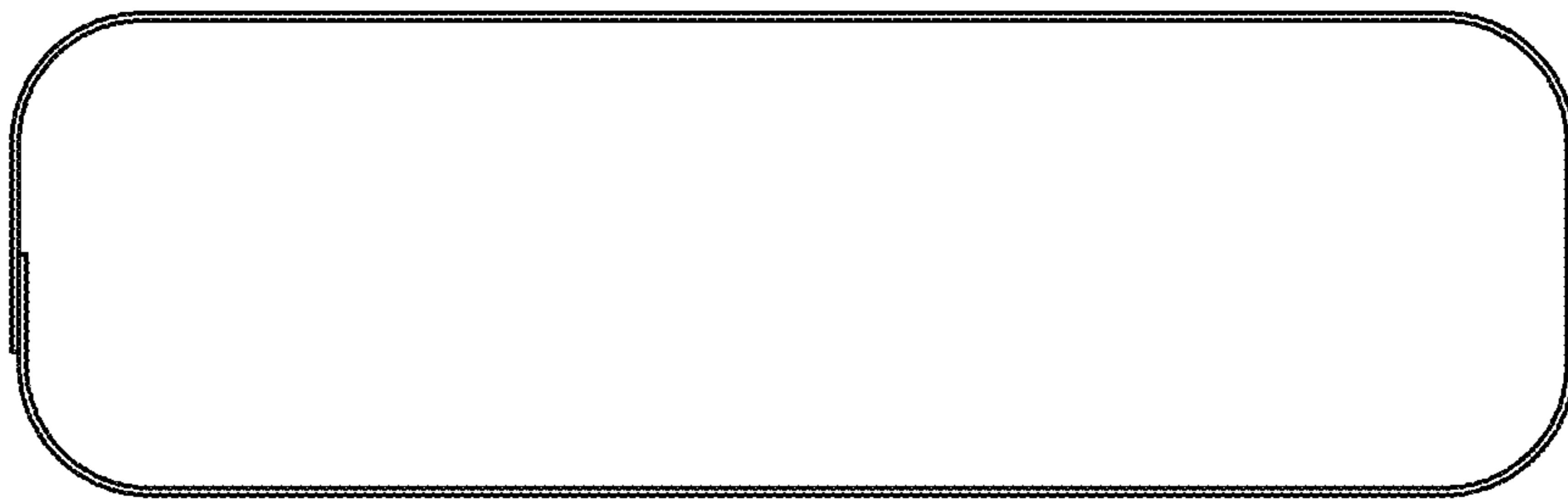


FIG. 28



FIG. 29

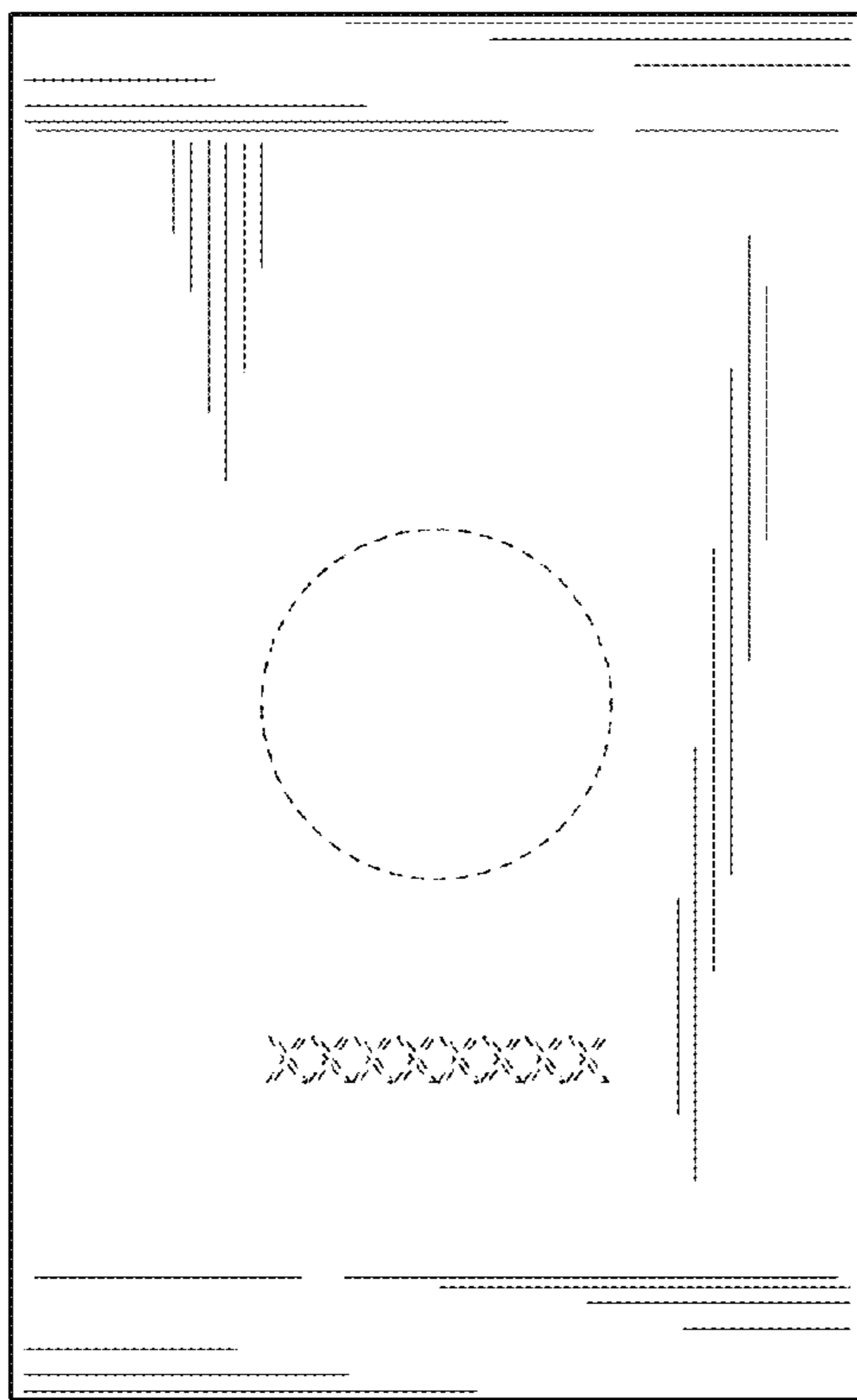


FIG. 30

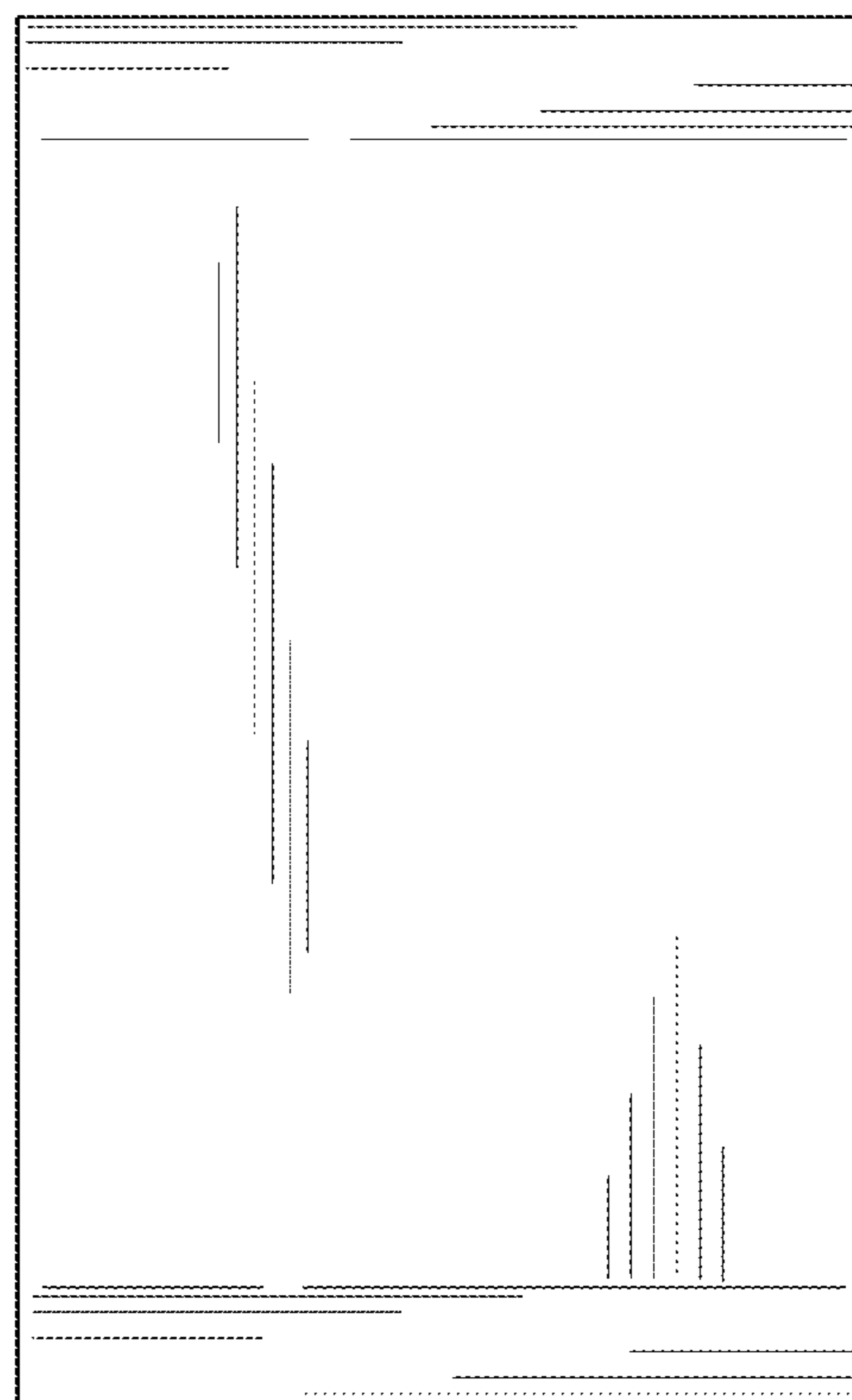


FIG. 31