



US00D722866S

(12) **United States Design Patent**  
**Campbell**

(10) **Patent No.:** **US D722,866 S**

(45) **Date of Patent:** **\*\* Feb. 24, 2015**

(54) **BALL PIN**

(71) Applicant: **KAMAX Holding GmbH & Co. KG,**  
Homberg (Ohm) (DE)

(72) Inventor: **Paul Campbell,** Rochester Hills, MI  
(US)

(73) Assignee: **KAMAX Holding GmbH & Co. KG,**  
Homberg (Ohm) (DE)

(\*\*) Term: **14 Years**

(21) Appl. No.: **29/491,557**

(22) Filed: **May 22, 2014**

(51) **LOC (10) Cl.** ..... **08-08**

(52) **U.S. Cl.**  
USPC ..... **D8/387; D8/331**

(58) **Field of Classification Search**  
CPC ..... B60G 7/005; B60G 2204/416; F16C  
11/0604; F16C 11/0609; F16C 2223/10  
USPC ..... D8/323, 330-348, 349, 382, 387, 388;  
D12/177, 179; D24/156; 403/52, 57,  
403/76, 77, 90, 114, 115, 122-144  
See application file for complete search history.

(56) **References Cited**

**U.S. PATENT DOCUMENTS**

|           |     |         |                 |         |
|-----------|-----|---------|-----------------|---------|
| 4,007,913 | A * | 2/1977  | Aldrich         | 254/18  |
| 4,016,703 | A * | 4/1977  | Champoux et al. | 403/404 |
| D264,125  | S * | 4/1982  | Biggs           | D24/156 |
| 4,619,122 | A * | 10/1986 | Simpson         | 70/34   |
| D314,822  | S * | 2/1991  | Miller          | D24/156 |
| D321,560  | S * | 11/1991 | Miller          | D24/156 |
| D324,731  | S * | 3/1992  | Sullivan        | D24/156 |
| D335,077  | S * | 4/1993  | Haney           | D8/387  |
| 5,299,394 | A * | 4/1994  | Surdacki        | 451/50  |
| 5,421,684 | A   | 6/1995  | Kluemper        |         |
| D380,047  | S * | 6/1997  | Gelb            | D24/156 |
| 6,113,303 | A * | 9/2000  | Buhl et al.     | 403/282 |
| D433,621  | S * | 11/2000 | Wiley           | D8/387  |

|              |      |         |                  |         |
|--------------|------|---------|------------------|---------|
| D438,494     | S *  | 3/2001  | Charmat et al.   | D12/180 |
| 6,264,414    | B1   | 7/2001  | Hartmann et al.  |         |
| D447,043     | S *  | 8/2001  | Wyers            | D8/339  |
| 6,503,038    | B2   | 1/2003  | McGough          |         |
| D484,773     | S *  | 1/2004  | Wyers            | D8/330  |
| D565,387     | S *  | 4/2008  | Remark et al.    | D8/330  |
| D589,779     | S *  | 4/2009  | Wrase et al.     | D8/330  |
| D591,144     | S *  | 4/2009  | Hennessey et al. | D8/387  |
| D605,500     | S *  | 12/2009 | Lee et al.       | D8/387  |
| D615,855     | S *  | 5/2010  | Gaudron et al.   | D8/387  |
| 7,878,748    | B2   | 2/2011  | Townsend         |         |
| D633,774     | S *  | 3/2011  | Spragg           | D8/323  |
| D649,006     | S *  | 11/2011 | Johnson et al.   | D8/323  |
| D649,010     | S *  | 11/2011 | Spragg           | D8/323  |
| D652,929     | S *  | 1/2012  | Sibhatu et al.   | D24/156 |
| D677,561     | S *  | 3/2013  | Sherman          | D8/387  |
| 2009/0003927 | A1 * | 1/2009  | Howes et al.     | 403/131 |
| 2012/0079918 | A1   | 4/2012  | Gensert          |         |

**FOREIGN PATENT DOCUMENTS**

|    |                 |    |         |
|----|-----------------|----|---------|
| DE | 10 2004 004 233 | A1 | 8/2005  |
| WO | 2010/142458     | A2 | 12/2010 |

\* cited by examiner

*Primary Examiner* — Philip S Hyder

*Assistant Examiner* — Darlington Ly

(74) *Attorney, Agent, or Firm* — Thomas | Horstemeyer, LLP

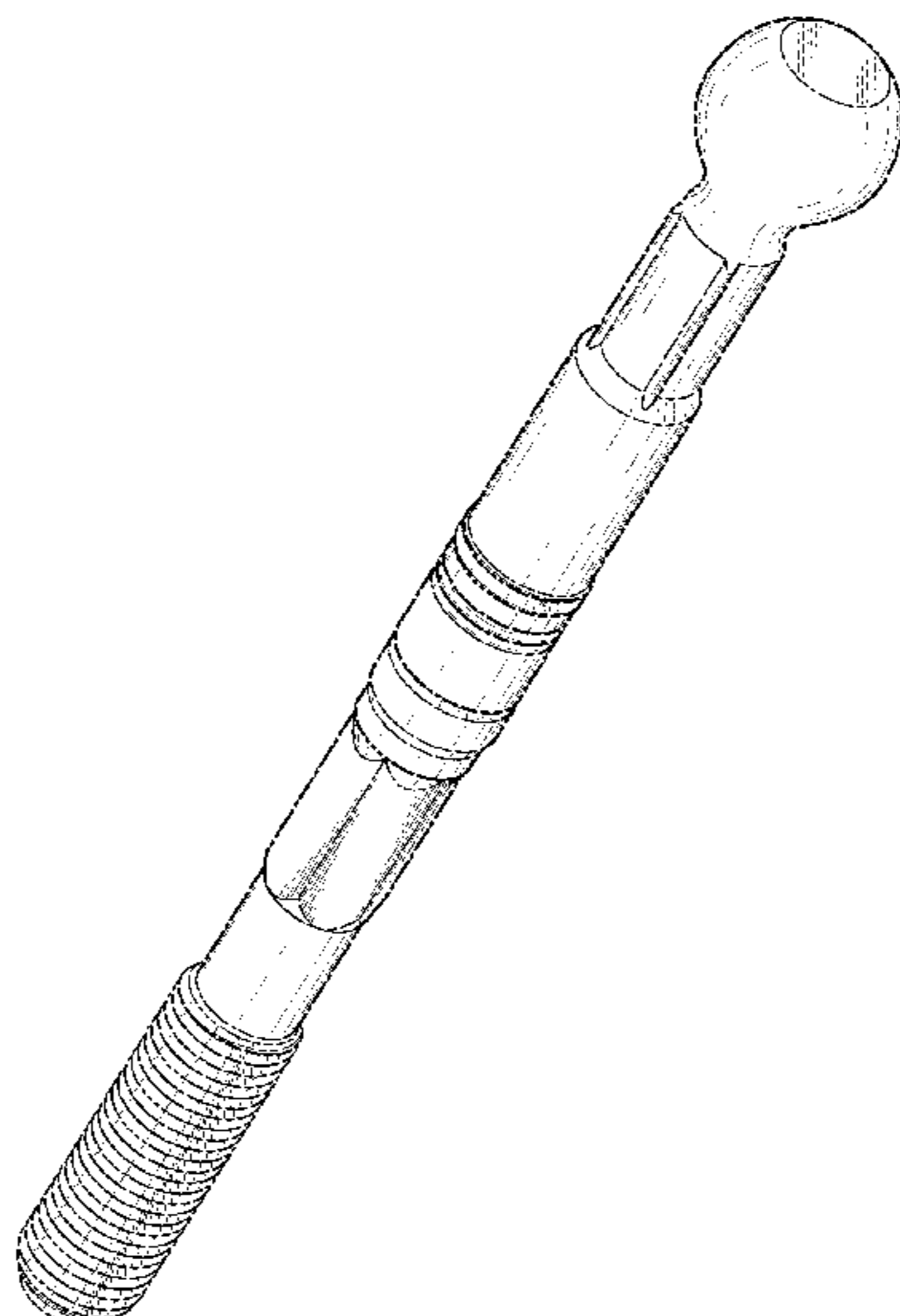
(57) **CLAIM**

The ornamental design for a ball pin, as shown and described.

**DESCRIPTION**

FIG. 1 is a perspective view showing my new ball pin;  
FIG. 2 is a front view thereof;  
FIG. 3 is a back view thereof;  
FIG. 4 is a right side view thereof;  
FIG. 5 is a left side view thereof;  
FIG. 6 is a top view thereof; and,  
FIG. 7 is a bottom view thereof.

**1 Claim, 4 Drawing Sheets**



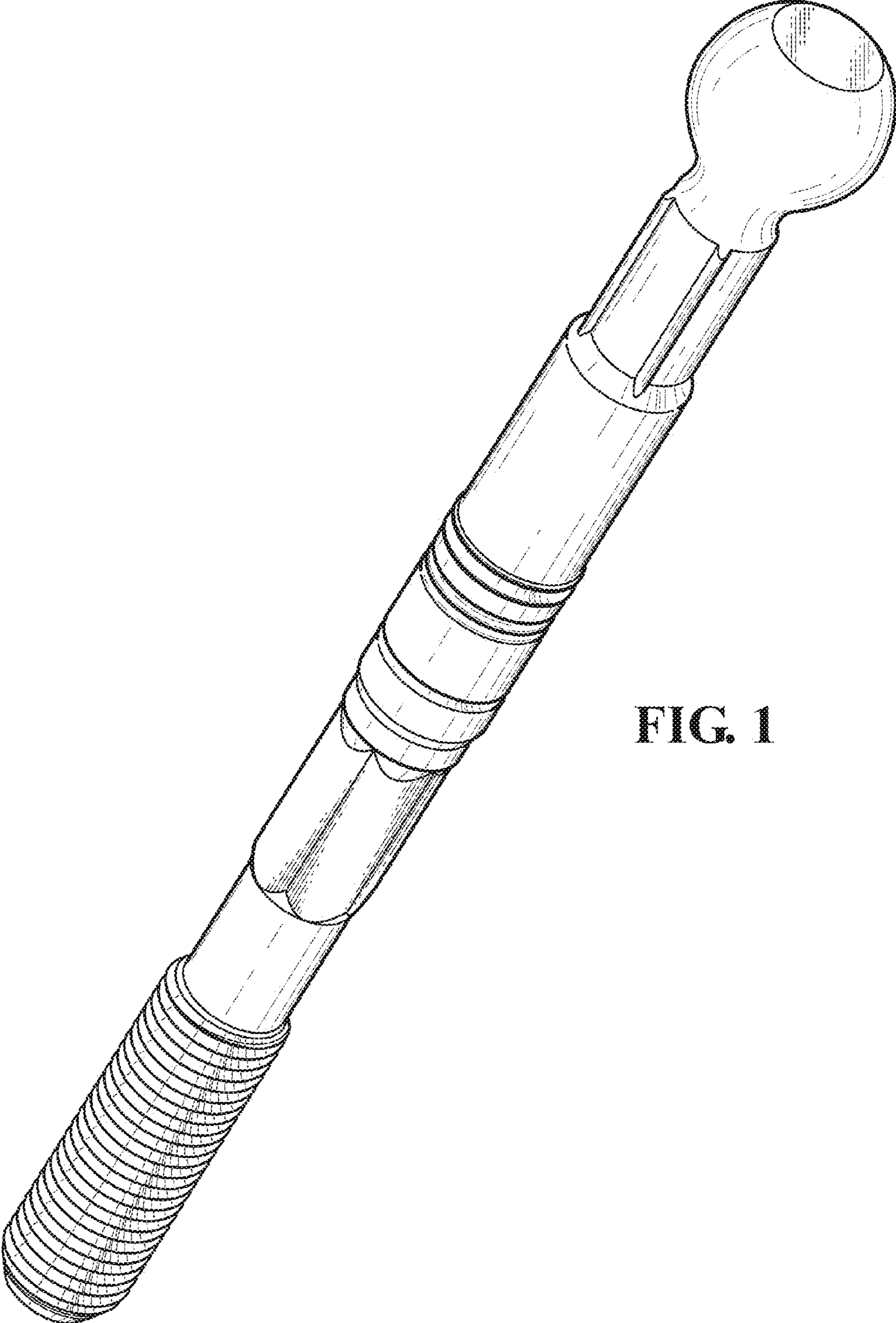
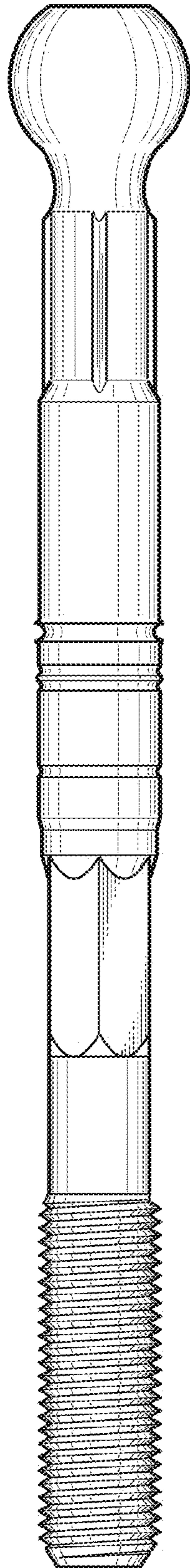
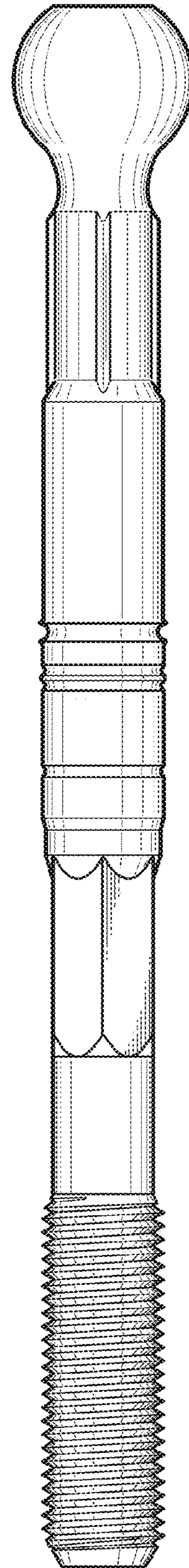


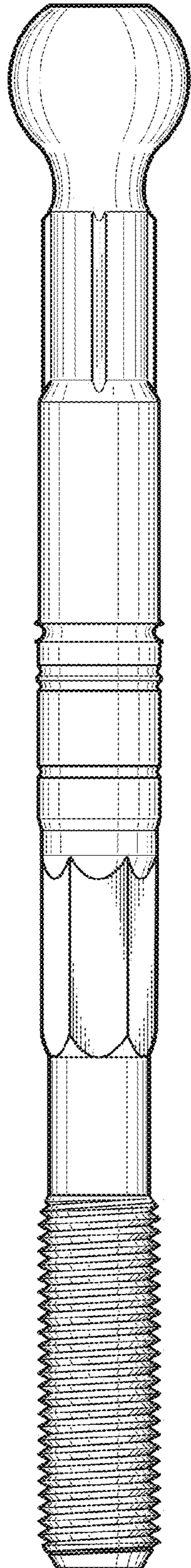
FIG. 1



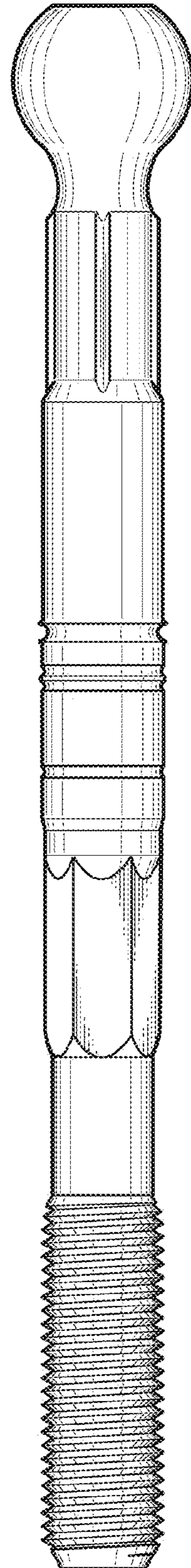
**FIG. 2**



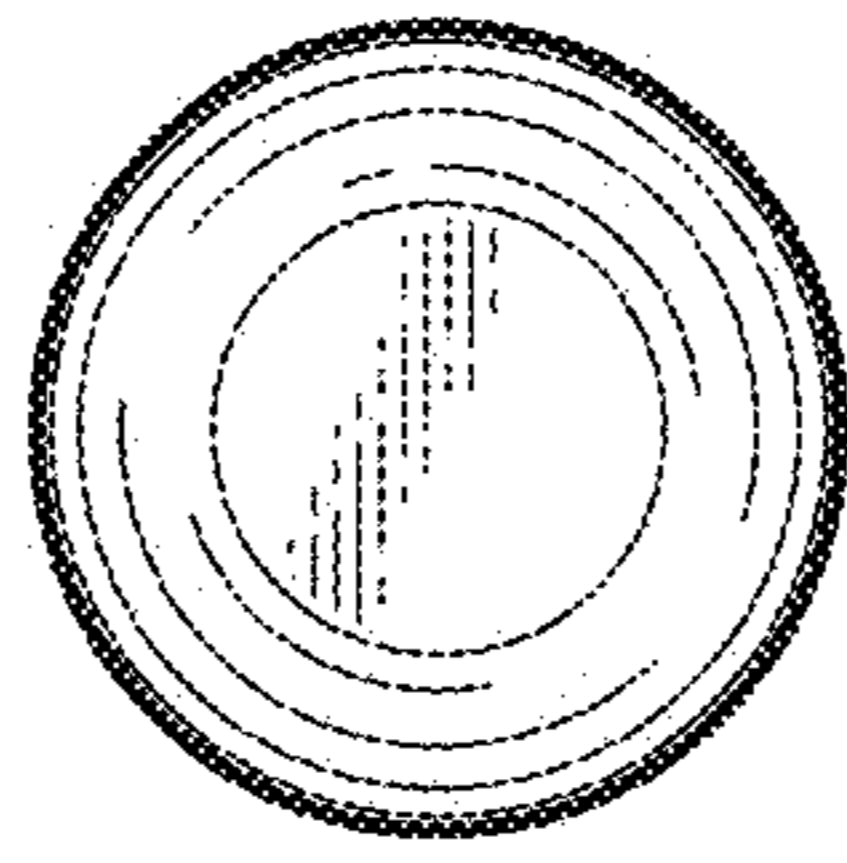
**FIG. 3**



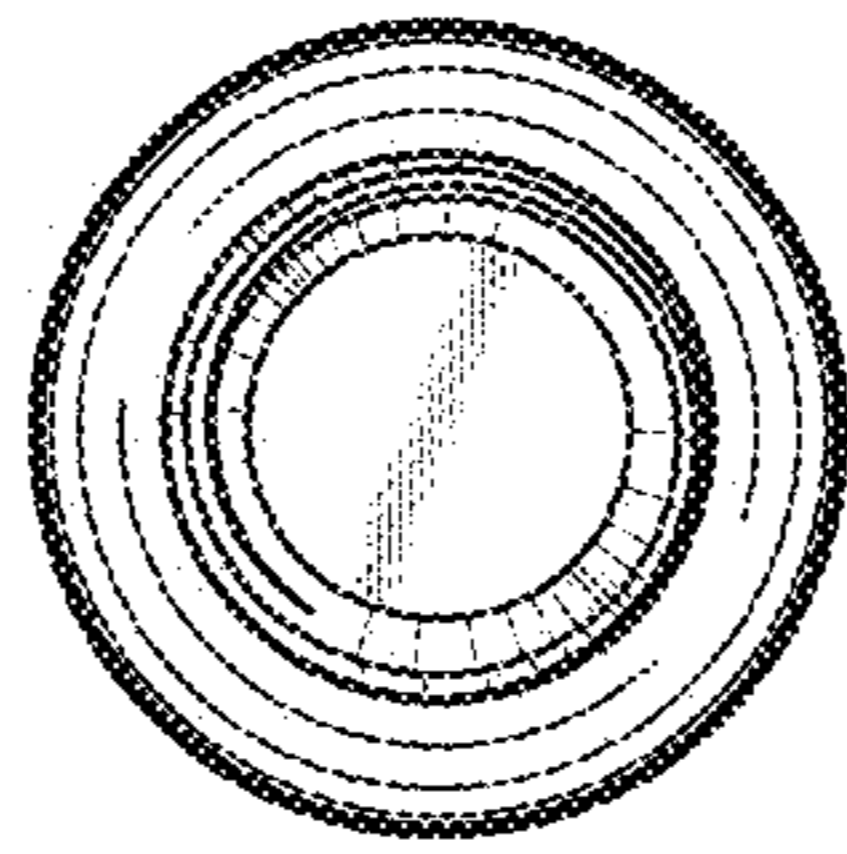
**FIG. 4**



**FIG. 5**



**FIG. 6**



**FIG. 7**