



US00D722865S

(12) **United States Design Patent**  
**Greenthal**

(10) **Patent No.:** **US D722,865 S**

(45) **Date of Patent:** **\*\* Feb. 24, 2015**

(54) **KNUCKLE WITH A PIVOT SHAFT**

(56) **References Cited**

(71) Applicant: **Nitroworks Corporation**, Buena Park,  
CA (US)

(72) Inventor: **Steven M. Greenthal**, Buena Park, CA  
(US)

(73) Assignee: **Nitroworks Corporation**, Buena Park,  
CA (US)

(\*\*) Term: **14 Years**

(21) Appl. No.: **29/466,933**

(22) Filed: **Sep. 13, 2013**

**Related U.S. Application Data**

(63) Continuation-in-part of application No. 13/798,506,  
filed on Mar. 13, 2013, now Pat. No. 8,831,415.

(51) **LOC (10) Cl.** ..... **08-08**

(52) **U.S. Cl.**  
USPC ..... **D8/382**

(58) **Field of Classification Search**

CPC ..... A61M 2039/1027; A61M 39/1055;  
H01R 39/643; F16G 15/08; F16L 27/093;  
F16L 27/0816; B25G 3/24  
USPC ..... D8/382, 349, 354, 380, 373, 399, 394,  
D8/355; D6/300; D15/148, 5; D16/245,  
D16/242; D11/181; D24/129; 411/175;  
248/344, 466, 317, 72, 230.1; 433/76;  
439/12; 228/44.3, 316.6

See application file for complete search history.

U.S. PATENT DOCUMENTS

2,299,468 A *	10/1942	Dafforn et al. ....	439/12
D241,814 S *	10/1976	Fredriksson .....	D8/355
D241,911 S *	10/1976	Fredriksson .....	D8/382
D395,996 S *	7/1998	Fischer .....	D8/349
D402,881 S *	12/1998	Fischer .....	D8/354
D466,397 S *	12/2002	Marwick .....	D8/373
D687,879 S *	8/2013	Greenthal .....	D16/242
D688,726 S *	8/2013	Samuels et al. ....	D16/242
D705,044 S *	5/2014	Hammac et al. ....	D8/380
2014/0193772 A1 *	7/2014	Mackey .....	433/76

OTHER PUBLICATIONS

Digital photo of camera mount hardware believed to have been on  
sale on or before Sep. 12, 2013.

\* cited by examiner

*Primary Examiner* — Sheryl Lane

*Assistant Examiner* — Nicole Shiflet

(74) *Attorney, Agent, or Firm* — Erickson, Kernell,  
Derousseau & Kleypas, LLC

(57) **CLAIM**

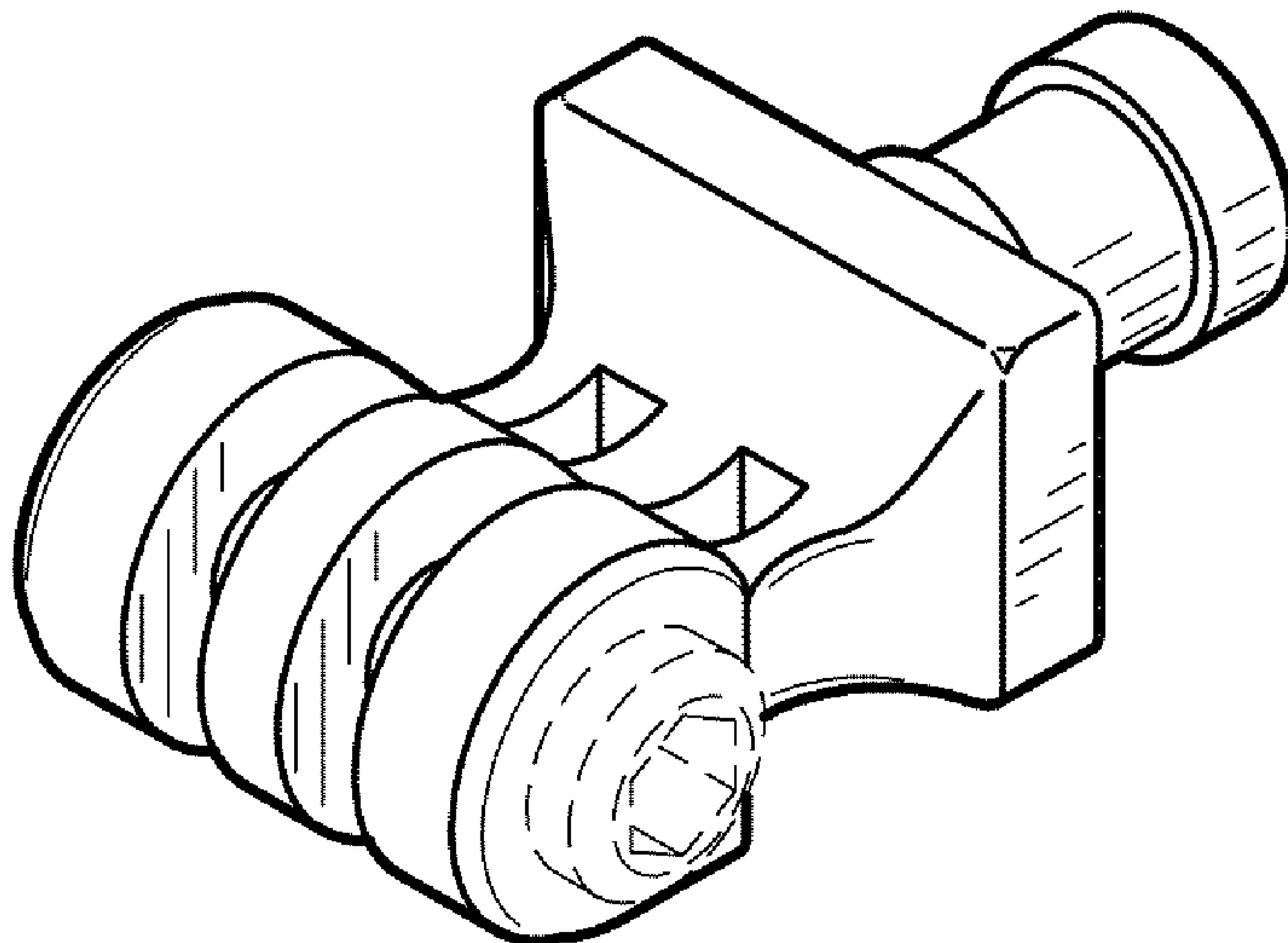
The ornamental design for a knuckle with a pivot shaft, as  
shown and described.

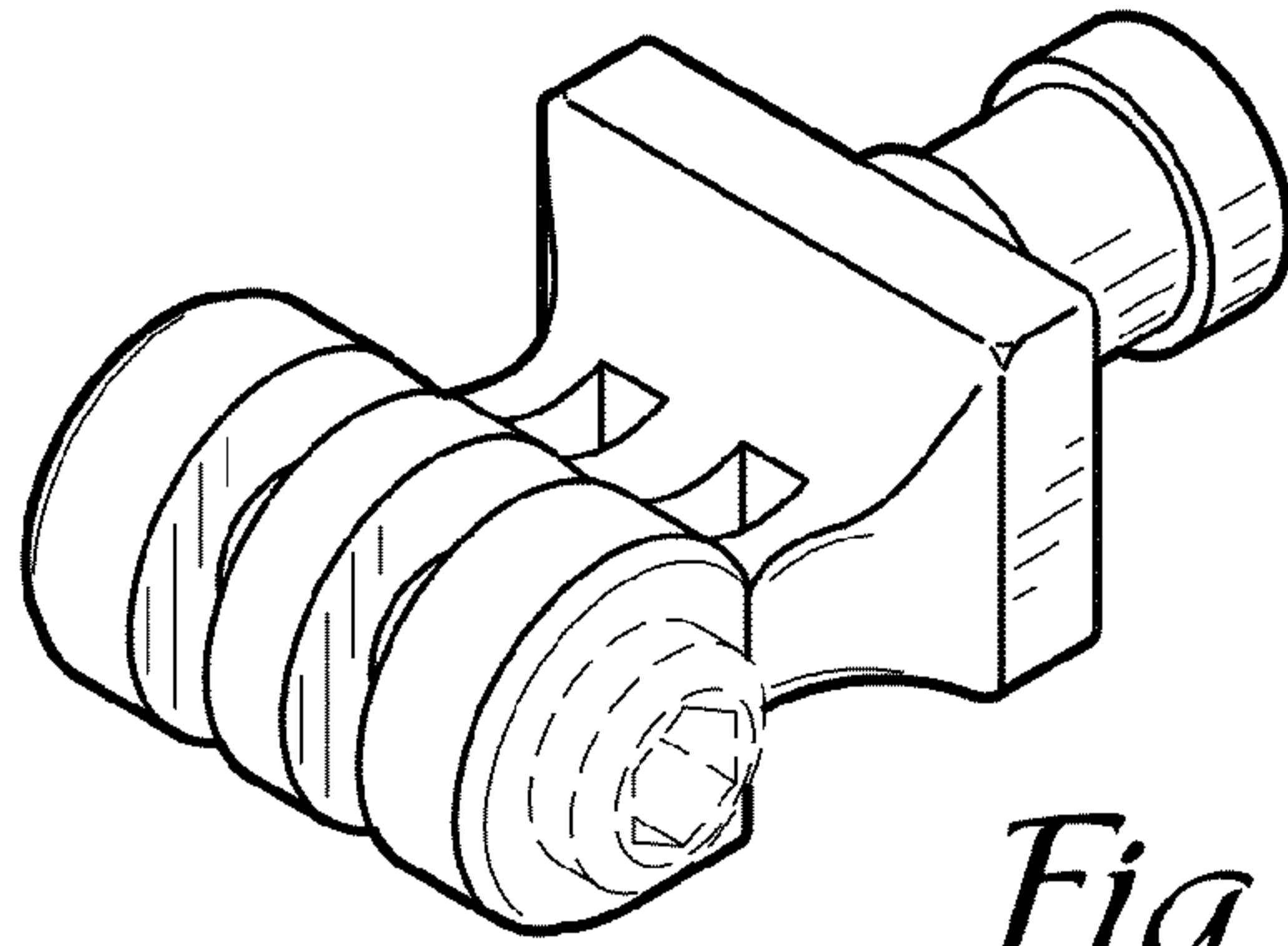
**DESCRIPTION**

FIG. 1 is a perspective view of a knuckle with a pivot shaft;  
FIG. 2 is a top plan view thereof;  
FIG. 3 is a left side view thereof;  
FIG. 4 is a bottom plan view thereof;  
FIG. 5 is a right side view thereof;  
FIG. 6 is a front view thereof; and,  
FIG. 7 is a rear view thereof.

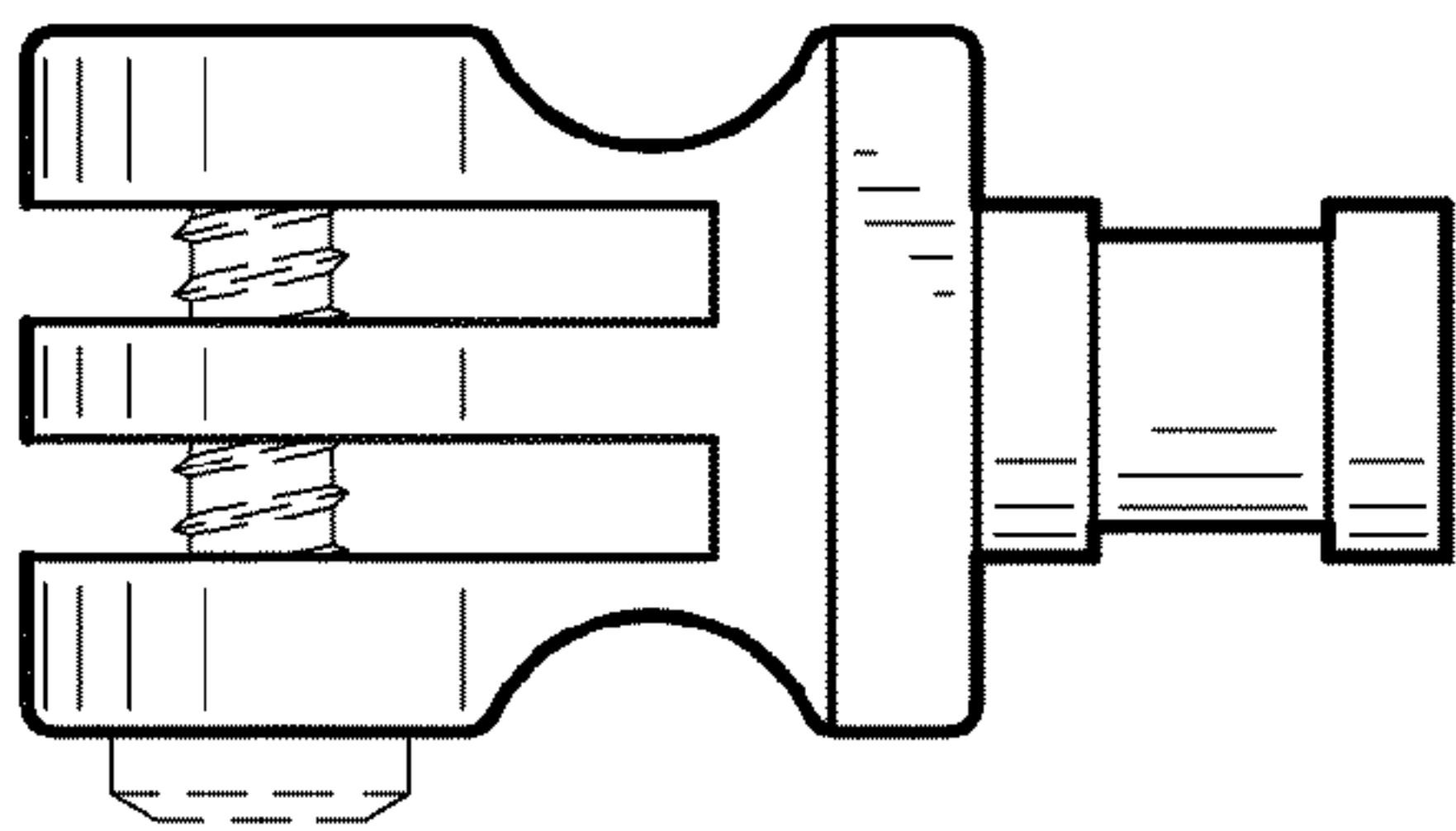
The broken lines in the figure drawings represent portions of  
the article and form no part of the claimed design.

**1 Claim, 1 Drawing Sheet**

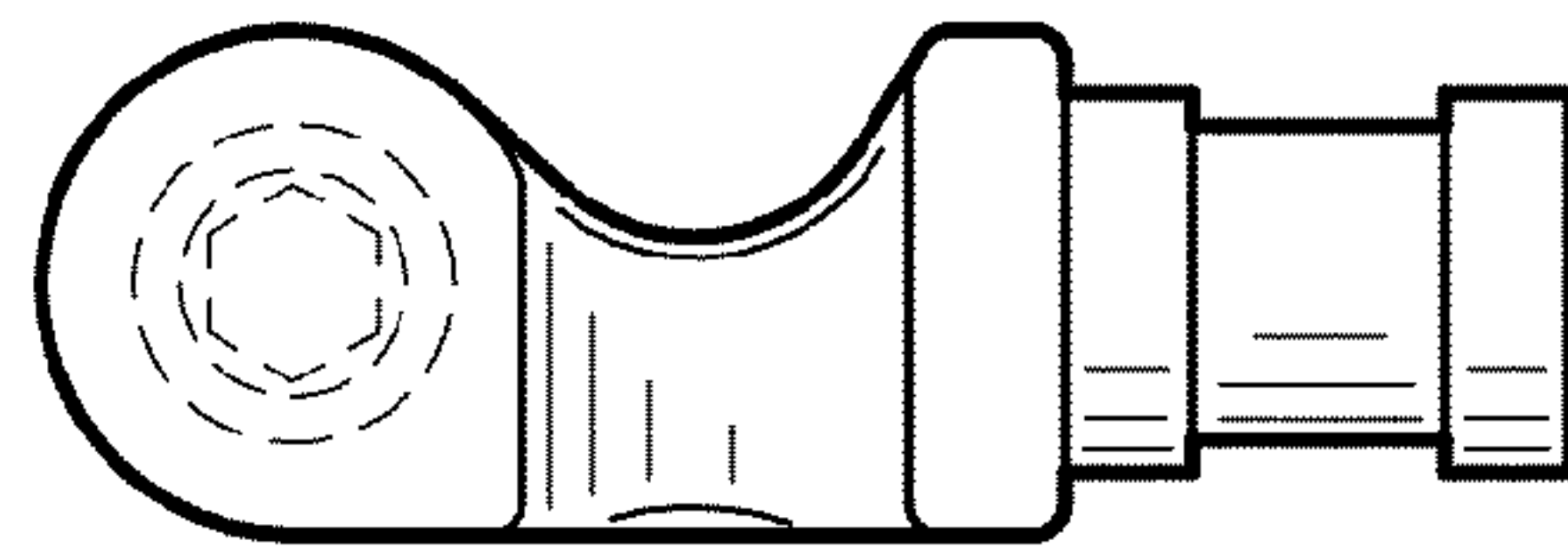




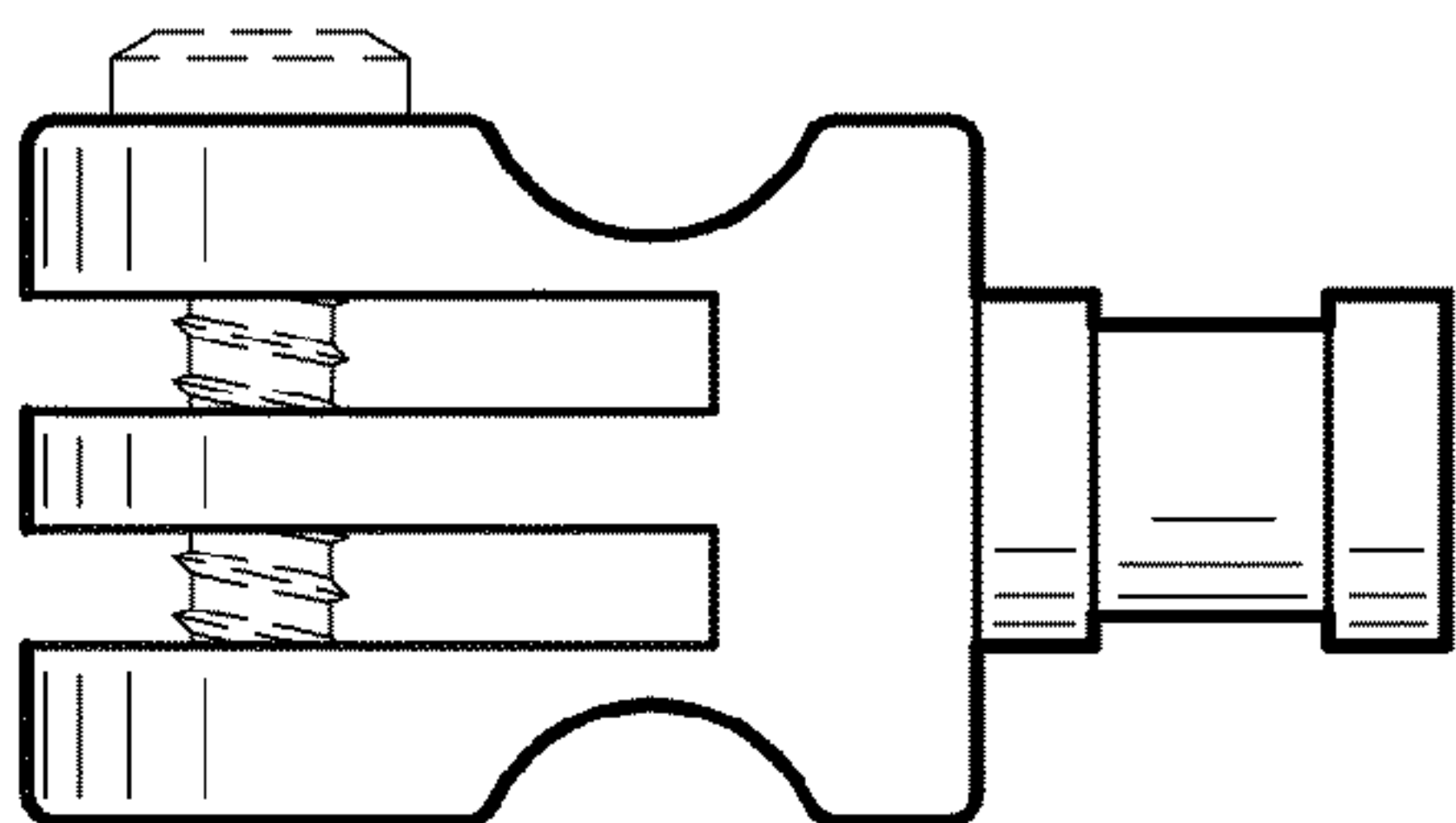
*Fig. 1*



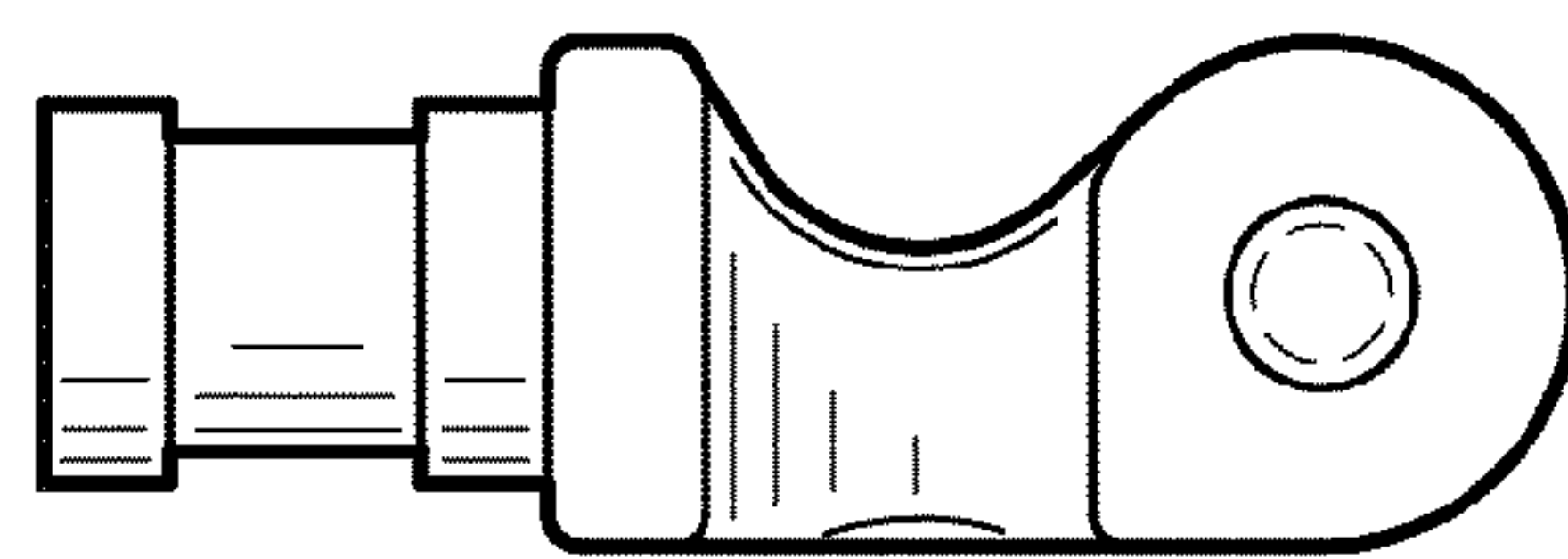
*Fig. 2*



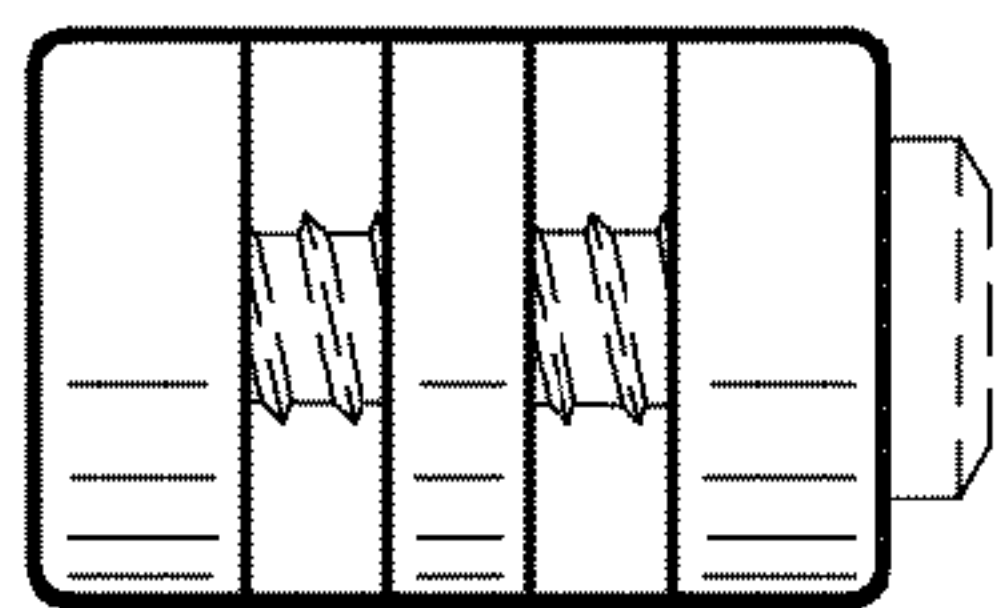
*Fig. 3*



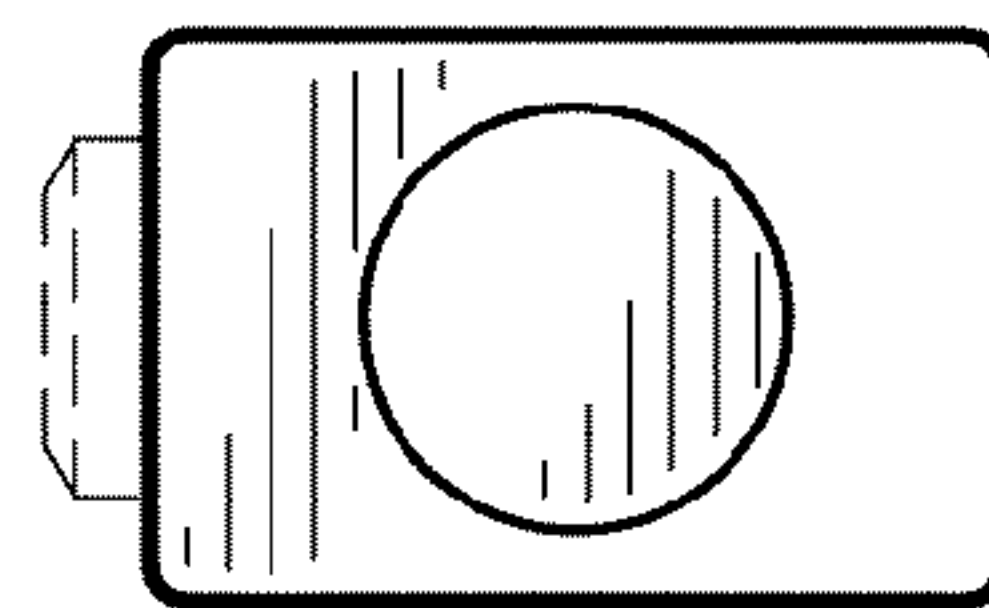
*Fig. 4*



*Fig. 5*



*Fig. 6*



*Fig. 7*