



US00D722864S

(12) **United States Design Patent**
Greenthal

(10) **Patent No.:** **US D722,864 S**

(45) **Date of Patent:** **** Feb. 24, 2015**

(54) **KNUCKLE WITH A RECEIVER FOR A PIVOT SHAFT**

(71) Applicant: **Nitroworks Corporation**, Buena Park, CA (US)

(72) Inventor: **Steven M. Greenthal**, Buena Park, CA (US)

(73) Assignee: **Nitroworks Corporation**, Buena Park, CA (US)

(**) Term: **14 Years**

(21) Appl. No.: **29/466,925**

(22) Filed: **Sep. 13, 2013**

(51) **LOC (10) Cl.** **08-08**

(52) **U.S. Cl.**
USPC **D8/382**

(58) **Field of Classification Search**
CPC A61M 2039/1027; A61M 39/1055;
H01R 39/643; F16G 15/08; F16L 27/093;
F16L 27/0816; B25G 3/24
USPC D8/382, 349, 354, 380, 373, 399, 394,
D8/355; D6/300; D15/148, 5; D16/245,
D16/242; D11/181; D24/129; 411/175;
248/344, 466, 317, 72, 230.1, 316.6;
433/76; 439/12; 228/44.3, 316.6
See application file for complete search history.

(56) **References Cited**

U.S. PATENT DOCUMENTS

D228,877 S * 10/1973 Hirt D8/394
D409,895 S * 5/1999 Schron et al. D8/349

D416,474 S * 11/1999 Wang D8/382
6,834,839 B1 * 12/2004 Wilson 248/316.6
D534,417 S * 1/2007 Caruana et al. D8/382
D594,380 S * 6/2009 Somers D11/181
D616,286 S * 5/2010 Foresman D8/354
2008/0277536 A1 * 11/2008 Olle et al. 248/72
2014/0054357 A1 * 2/2014 Spillane et al. 228/44.3

OTHER PUBLICATIONS

Digital photo of camera mount hardware believed to have been on sale on or before Sep. 12, 2013.

* cited by examiner

Primary Examiner — Sheryl Lane

Assistant Examiner — Nicole Shiflet

(74) *Attorney, Agent, or Firm* — Erickson, Kernell, Derusseau & Kleypas, LLC

(57) **CLAIM**

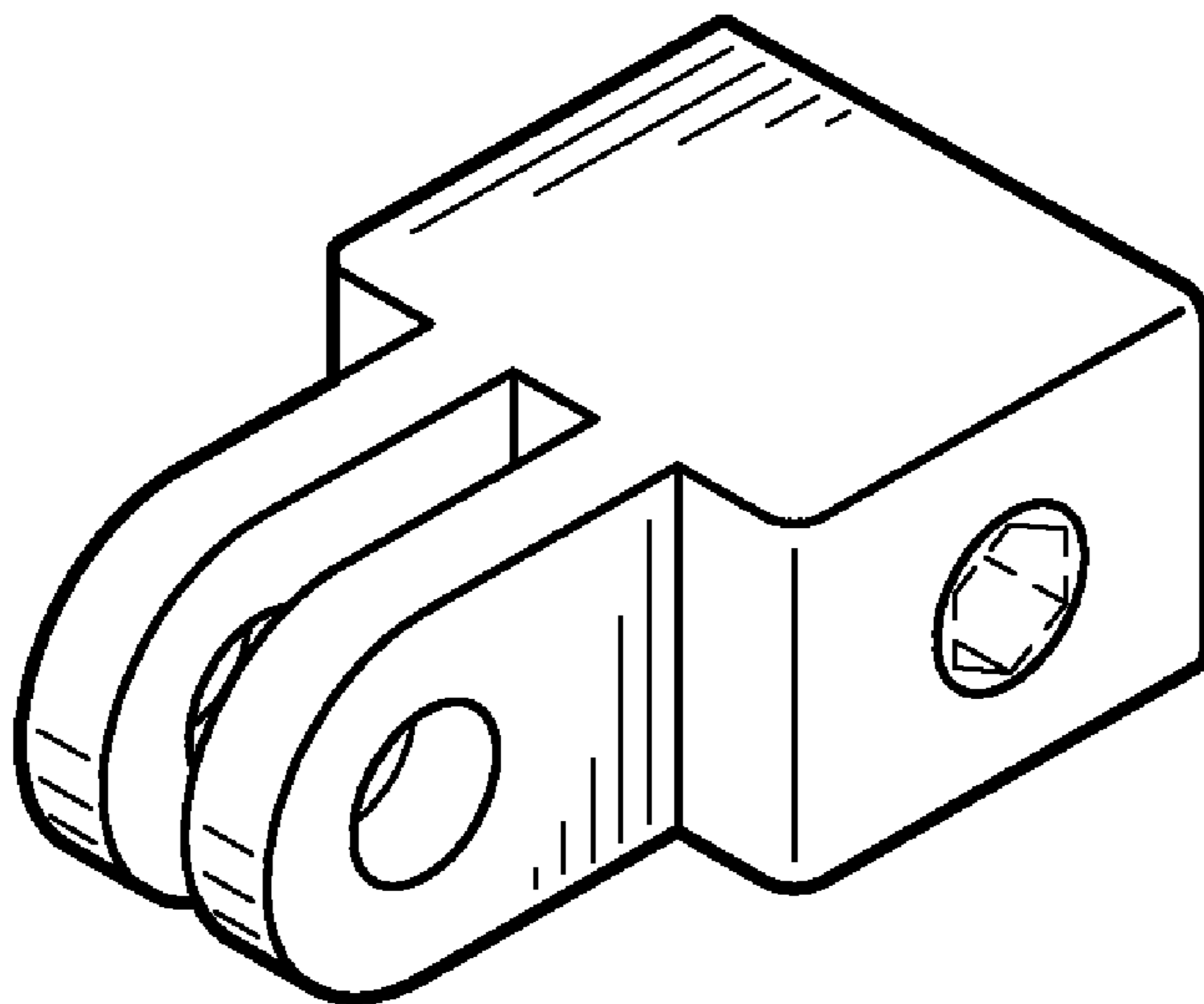
The ornamental design for a knuckle with a receiver for a pivot shaft, as shown and described.

DESCRIPTION

FIG. 1 is a perspective view of a knuckle with a receiver for a pivot shaft;
FIG. 2 is a top plan view thereof; the bottom plan view being identical;
FIG. 3 is a left side view thereof;
FIG. 4 is a right side view thereof;
FIG. 5 is a front view thereof; and,
FIG. 6 is a rear view thereof.

The broken lines in the figure drawings represent portions of the article and form no part of the claimed design.

1 Claim, 1 Drawing Sheet



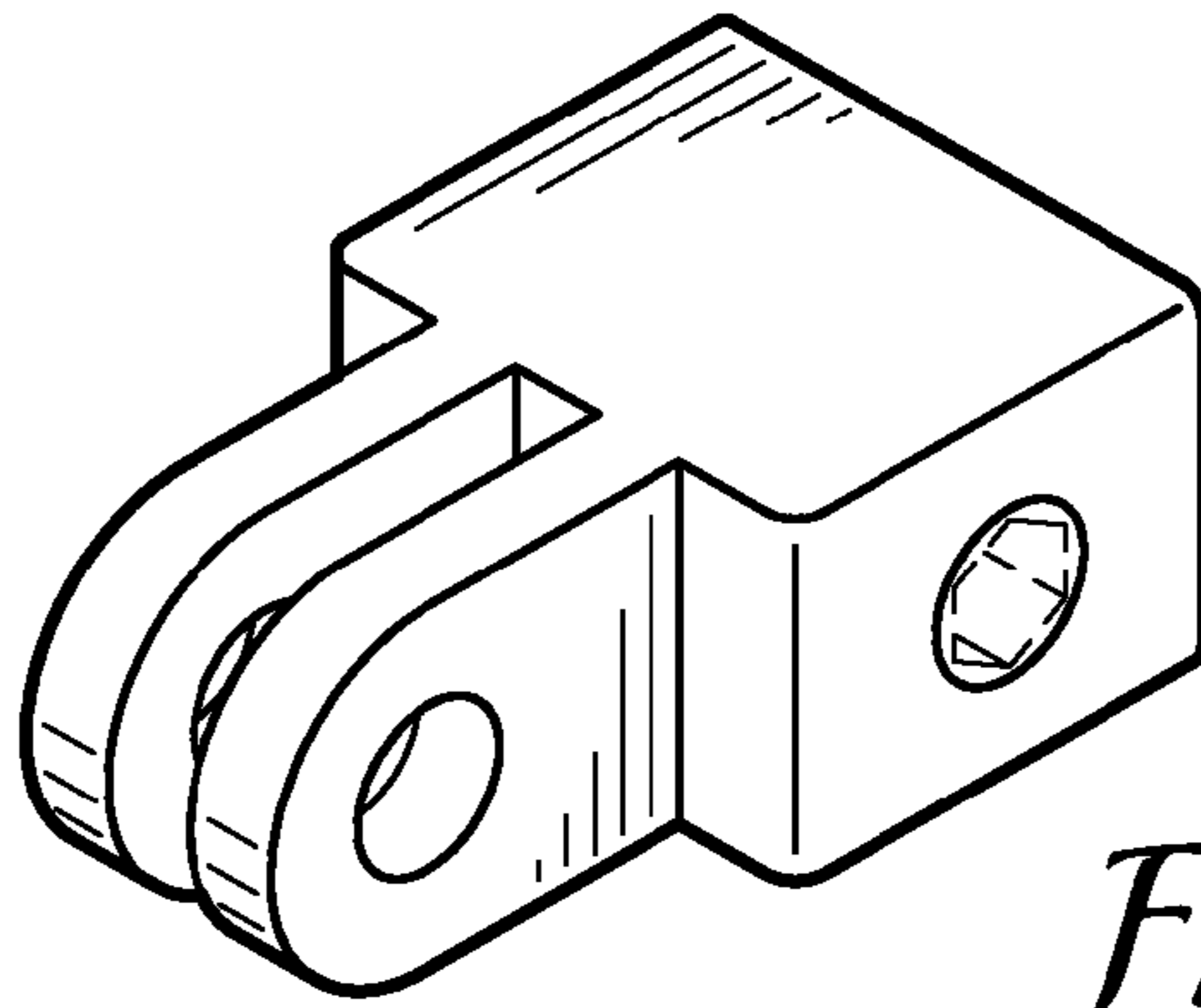


Fig. 1

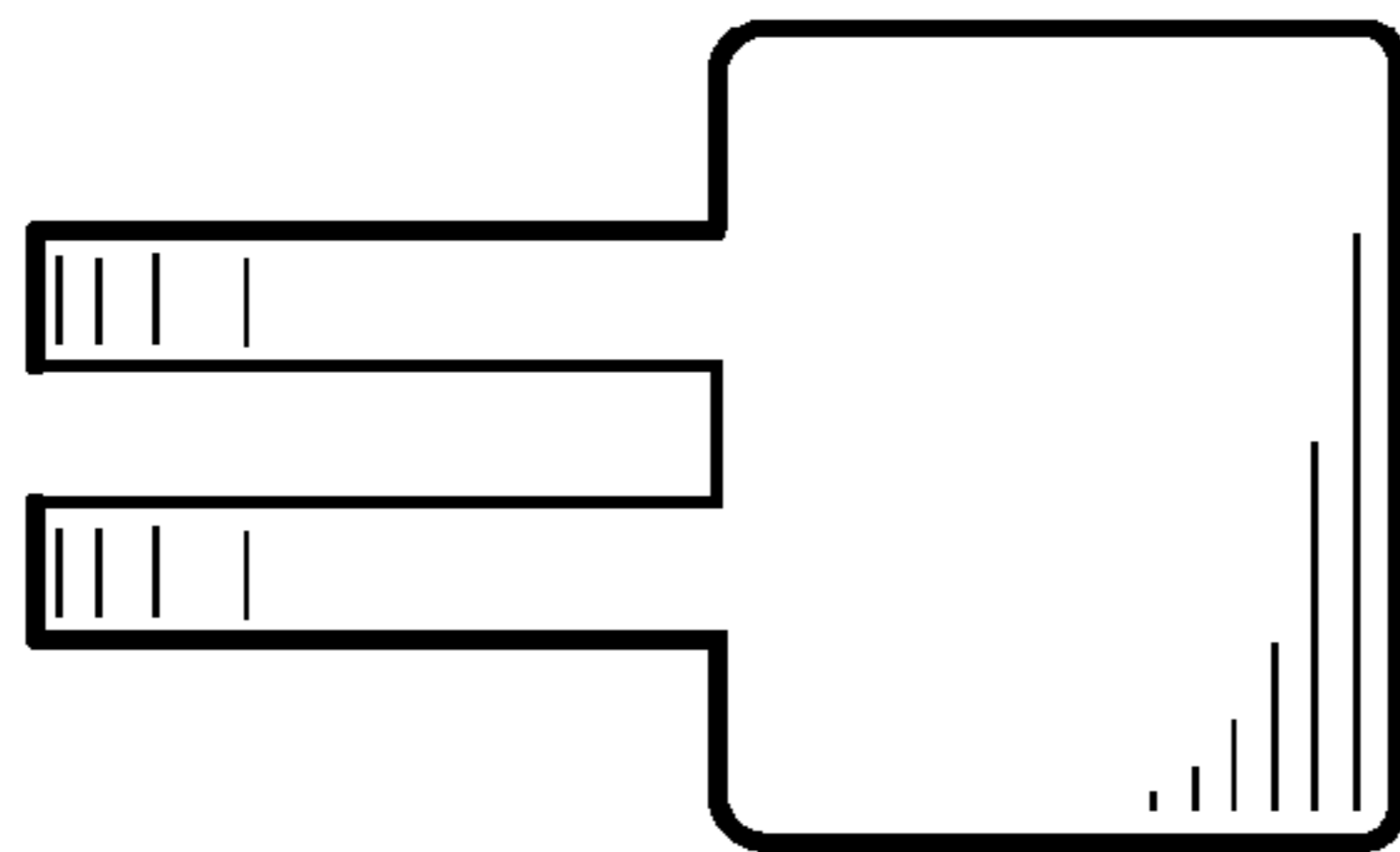


Fig. 2

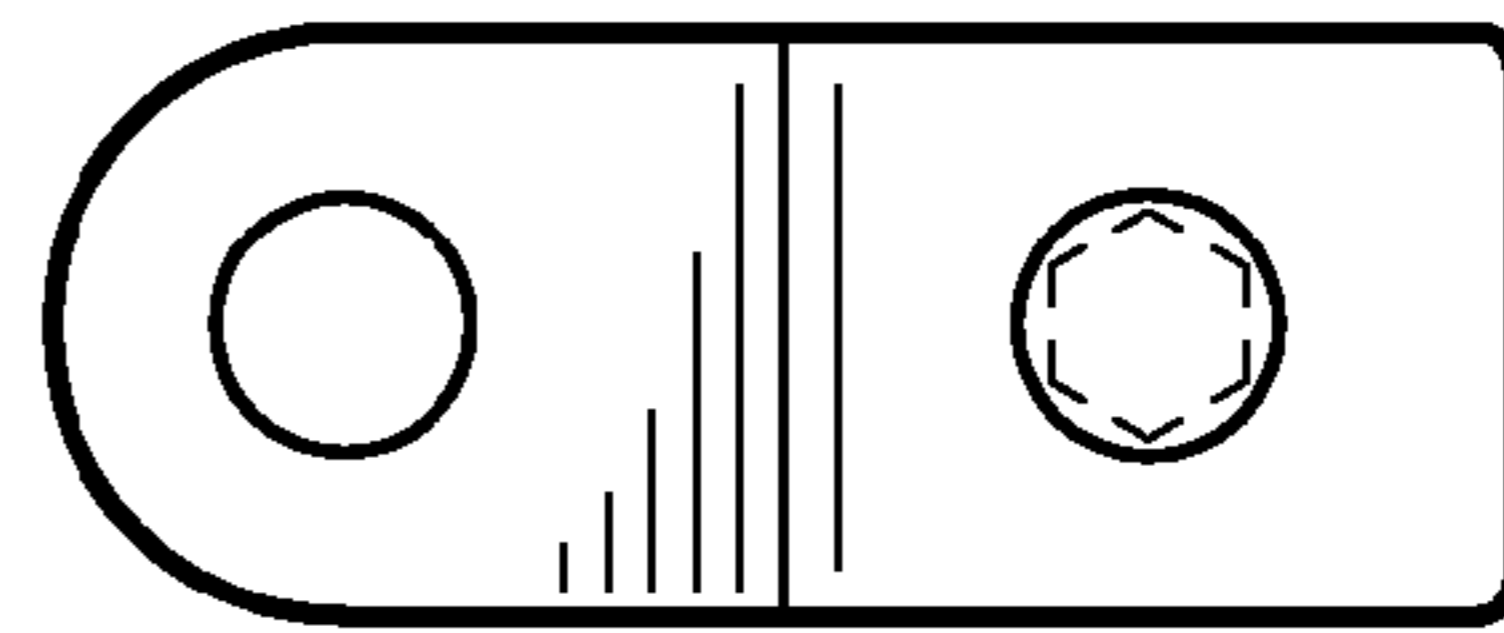


Fig. 3

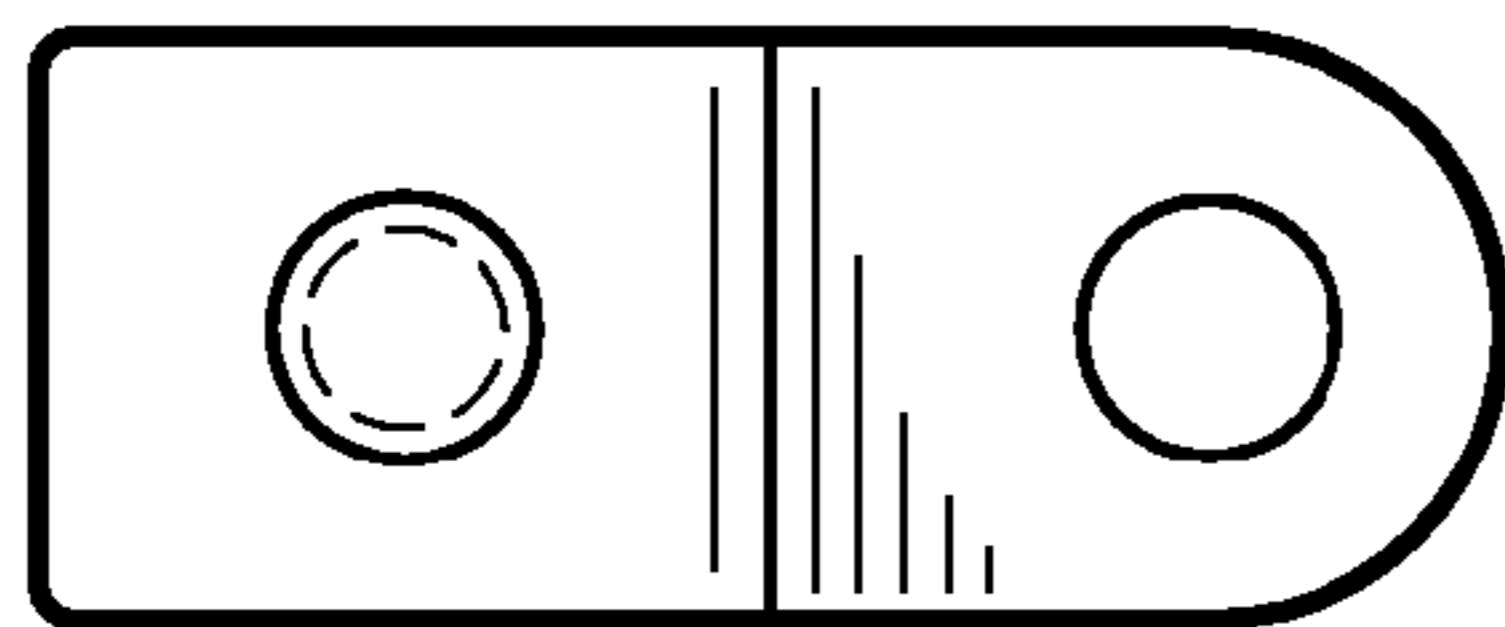


Fig. 4

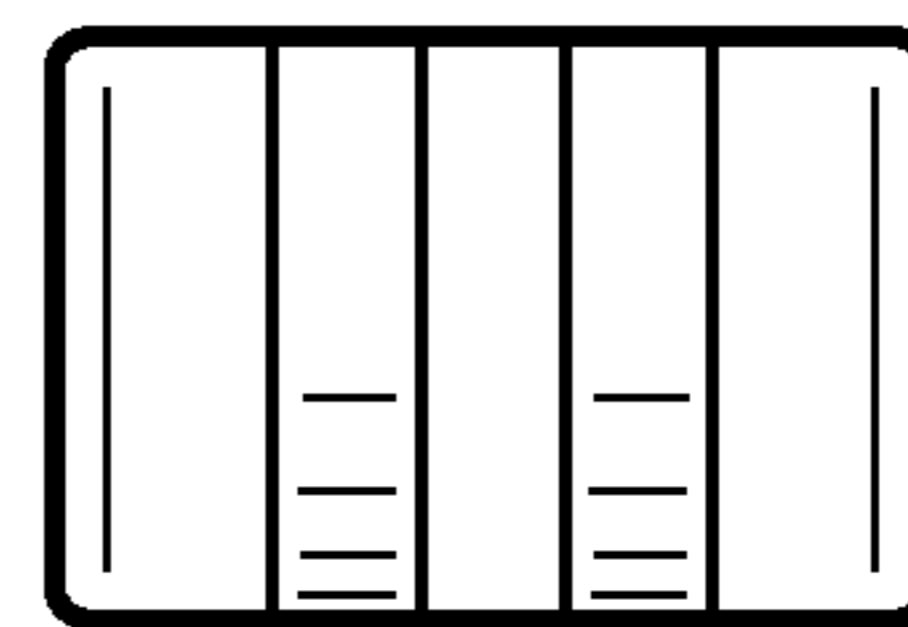


Fig. 5

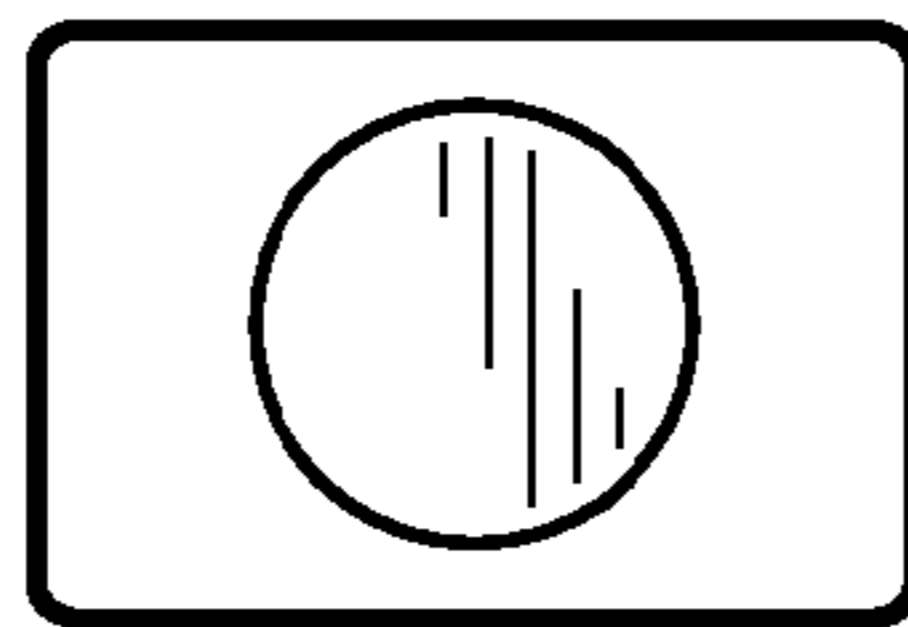


Fig. 6