



US00D722861S

(12) **United States Design Patent**  
**Chen**

(10) **Patent No.:** **US D722,861 S**

(45) **Date of Patent:** **\*\* Feb. 24, 2015**

(54) **PADLOCK**

(71) Applicant: **Full Range Technology Corp.**, Hsinchu County (TW)

(72) Inventor: **Mu-Lin Chen**, Zhubei (TW)

(73) Assignee: **Full Range Technology Corp.**, Hukou Township, Hsinchu County (TW)

(\*\*) Term: **14 Years**

(21) Appl. No.: **29/466,758**

(22) Filed: **Sep. 11, 2013**

(51) **LOC (10) Cl.** ..... **08-07**

(52) **U.S. Cl.**  
USPC ..... **D8/334**

(58) **Field of Classification Search**  
CPC ..... E05B 9/00; E05B 9/02; E05B 55/00; E06B 15/00  
USPC ..... D8/330, 331, 343, 346, 398, 394, 449, D8/334; 70/57, 57.1, 51-56, 416, 485, 70/486, 445, 419, 431, 422, 158, DIG. 26, 70/20-22, 24, 25, 26, 35; 220/280, 265, 220/277

See application file for complete search history.

(56) **References Cited**

**U.S. PATENT DOCUMENTS**

4,286,445 A \* 9/1981 Sills ..... 70/55  
4,609,780 A \* 9/1986 Clark ..... 379/102.06

4,727,358 A \* 2/1988 Burt, III ..... 340/384.1  
D488,048 S \* 4/2004 Wasson et al. .... D8/333  
D495,234 S \* 8/2004 Fisher et al. .... D8/333  
D615,842 S \* 5/2010 Freeman ..... D8/333  
D640,911 S \* 7/2011 Yang ..... D8/346  
D656,384 S \* 3/2012 Wojtak ..... D8/334  
D692,745 S \* 11/2013 Stevens ..... D8/334

\* cited by examiner

*Primary Examiner* — Prabhakar Deshmukh

(74) *Attorney, Agent, or Firm* — Muncy, Geissler, Olds & Lowe, P.C.

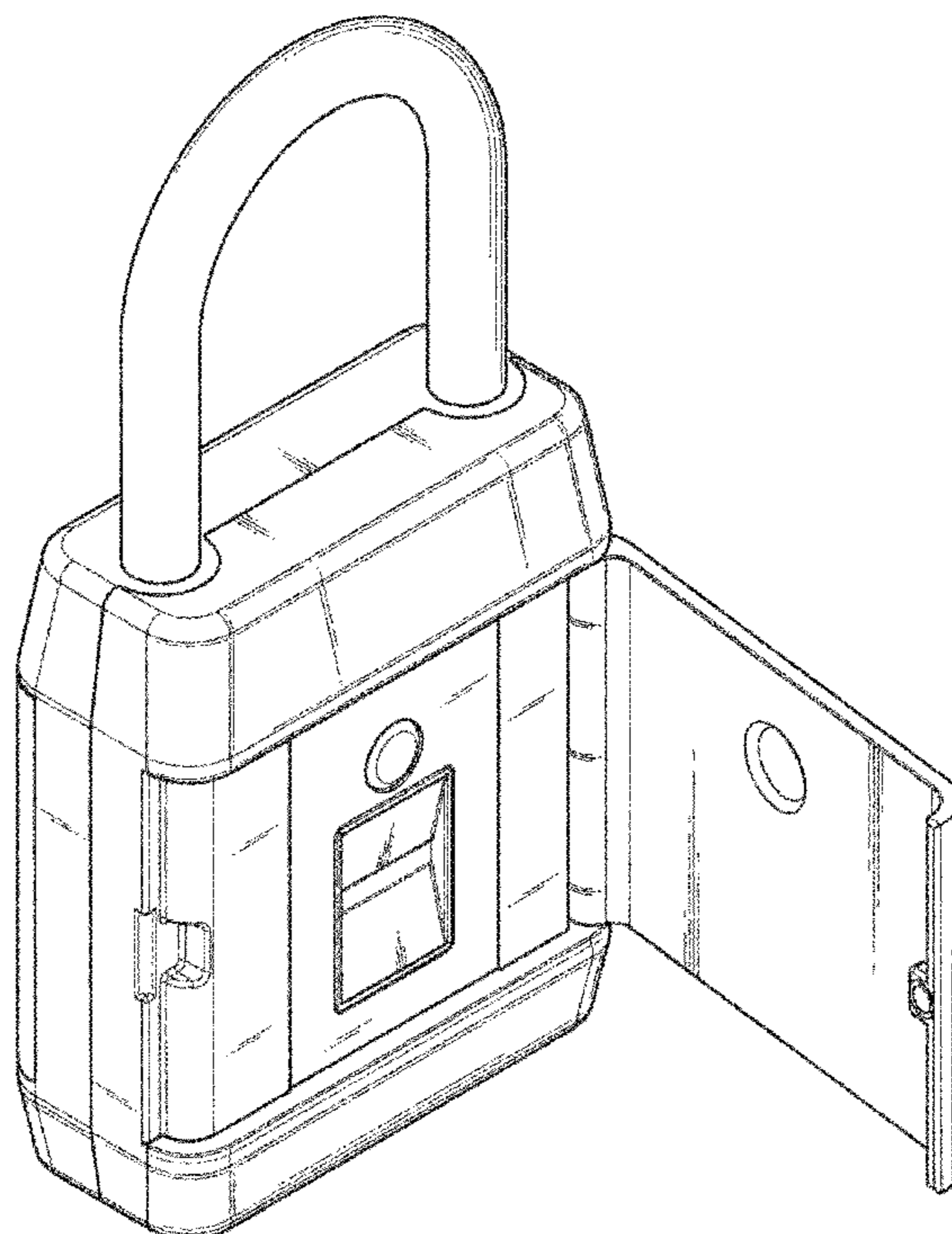
(57) **CLAIM**

The ornamental design for a “padlock,” as shown and described.

**DESCRIPTION**

FIG. 1 is a perspective view of “padlock” showing my new design thereof;  
FIG. 2 is a front side elevation view thereof;  
FIG. 3 is a rear perspective view hereof;  
FIG. 4 is a left side elevation view thereof;  
FIG. 5 shows that a right side view thereof;  
FIG. 6 is a top view thereof;  
FIG. 7 is a bottom plan view thereof; and,  
FIG. 8 is another view in use thereof.  
The broken lines indicate unclaimed portions and form no part of the claimed design.

**1 Claim, 7 Drawing Sheets**



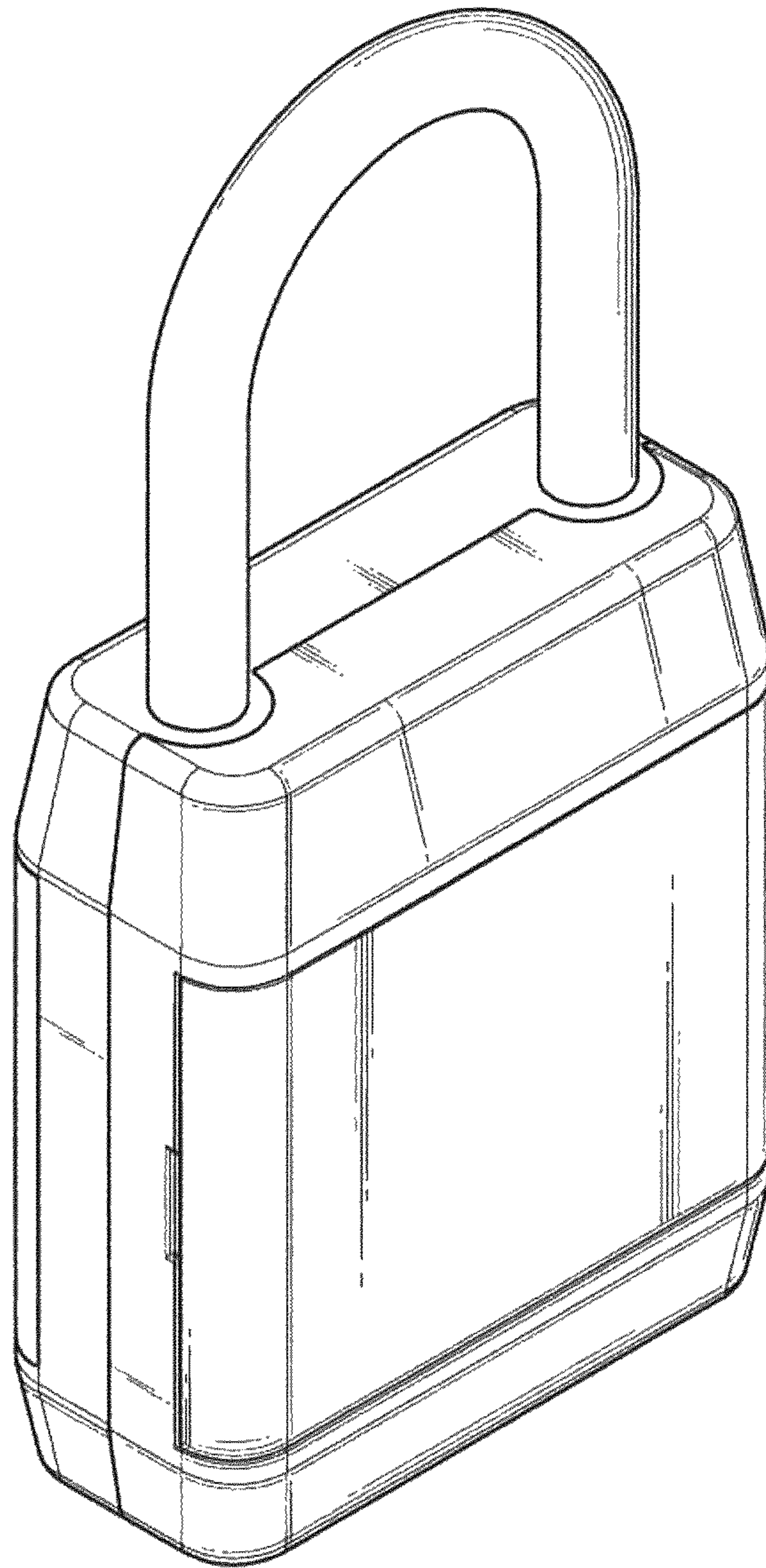


Fig . 1

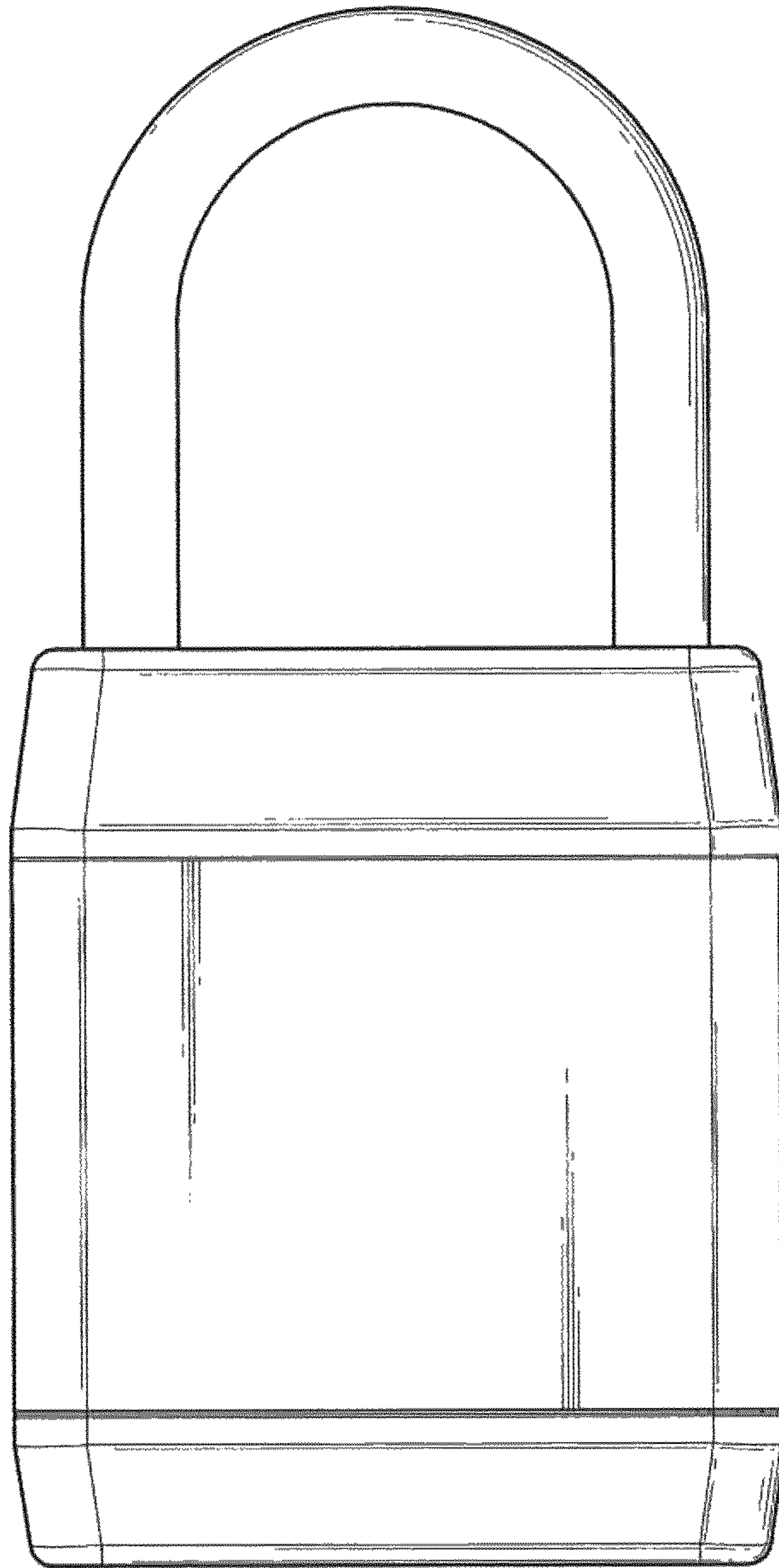


Fig . 2

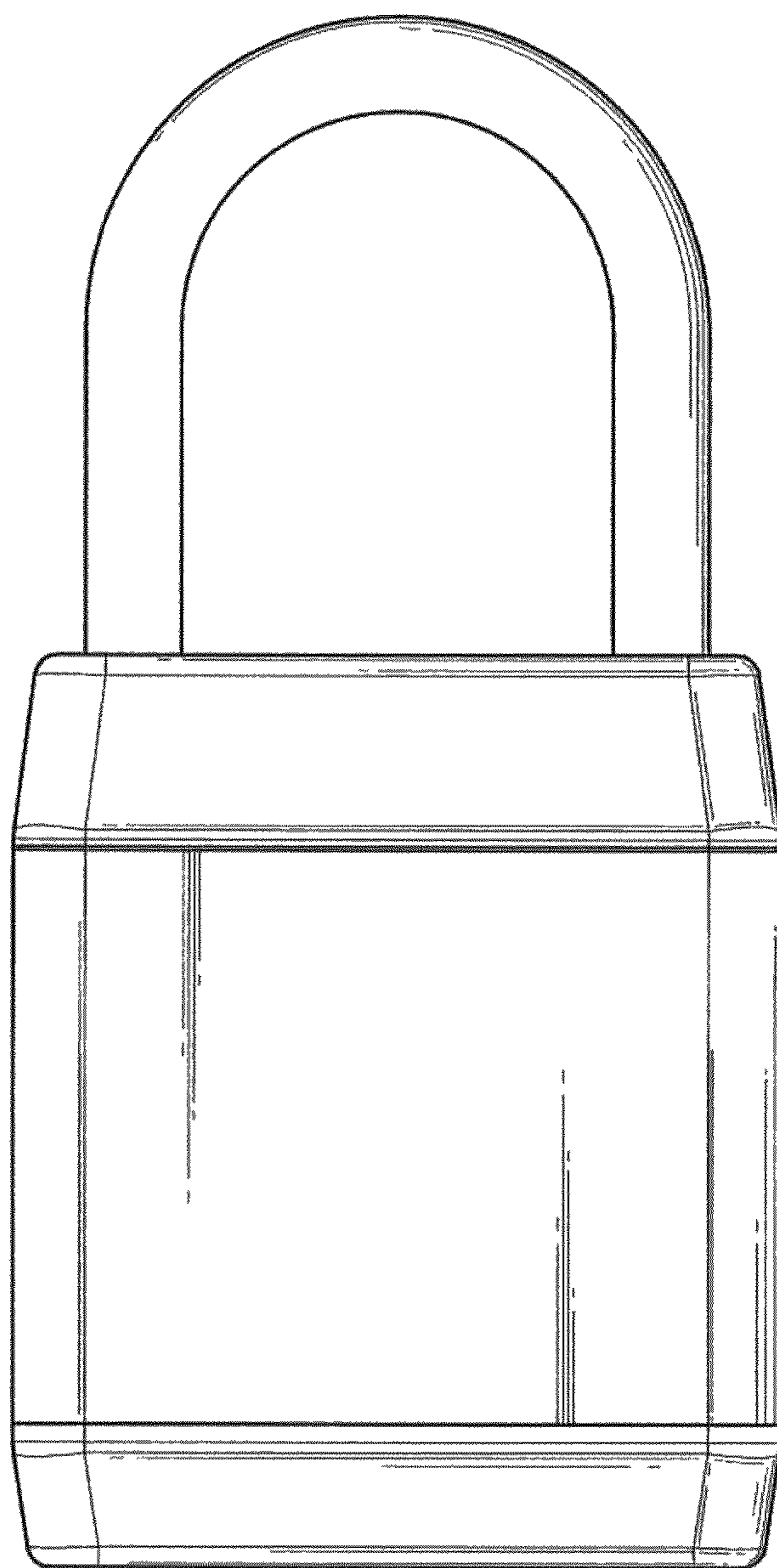


Fig . 3

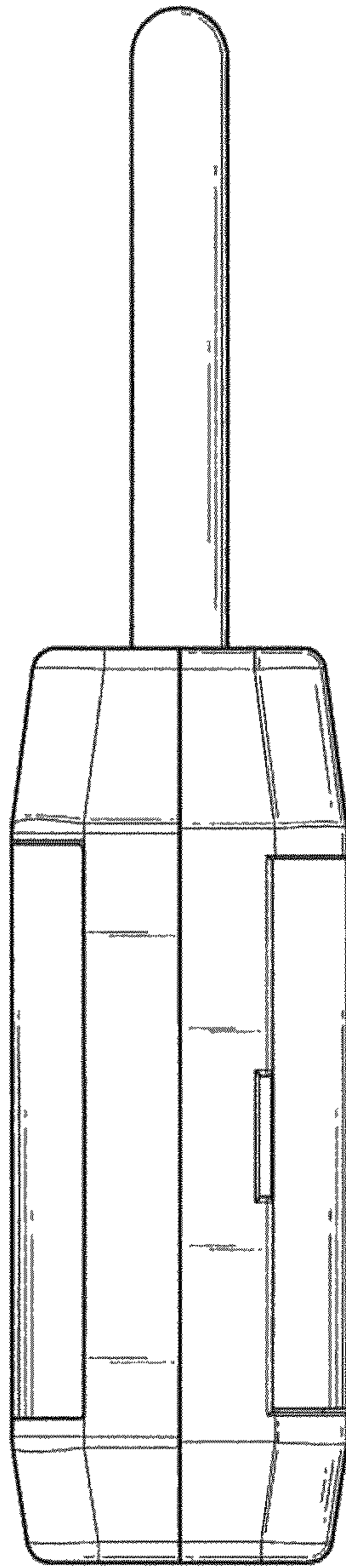


Fig . 4

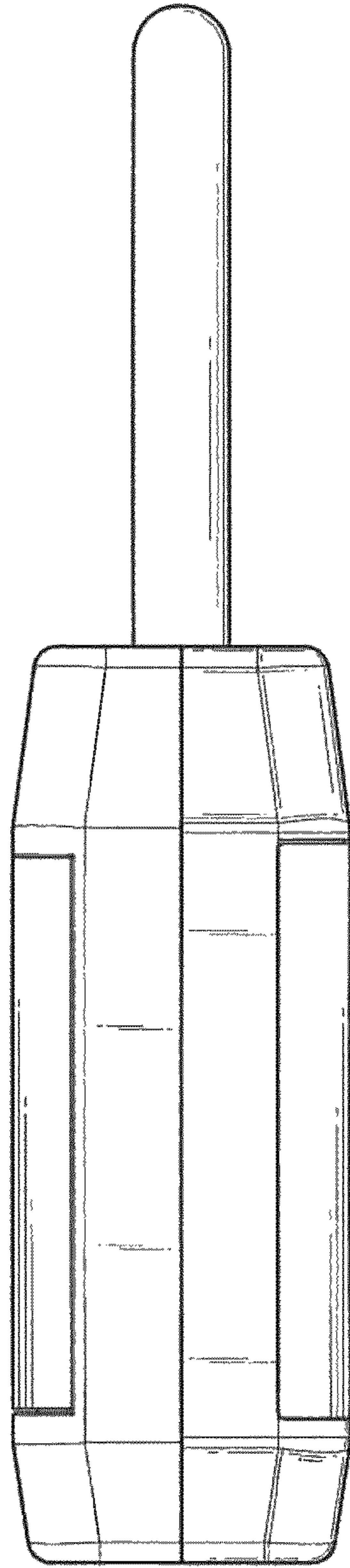


Fig . 5

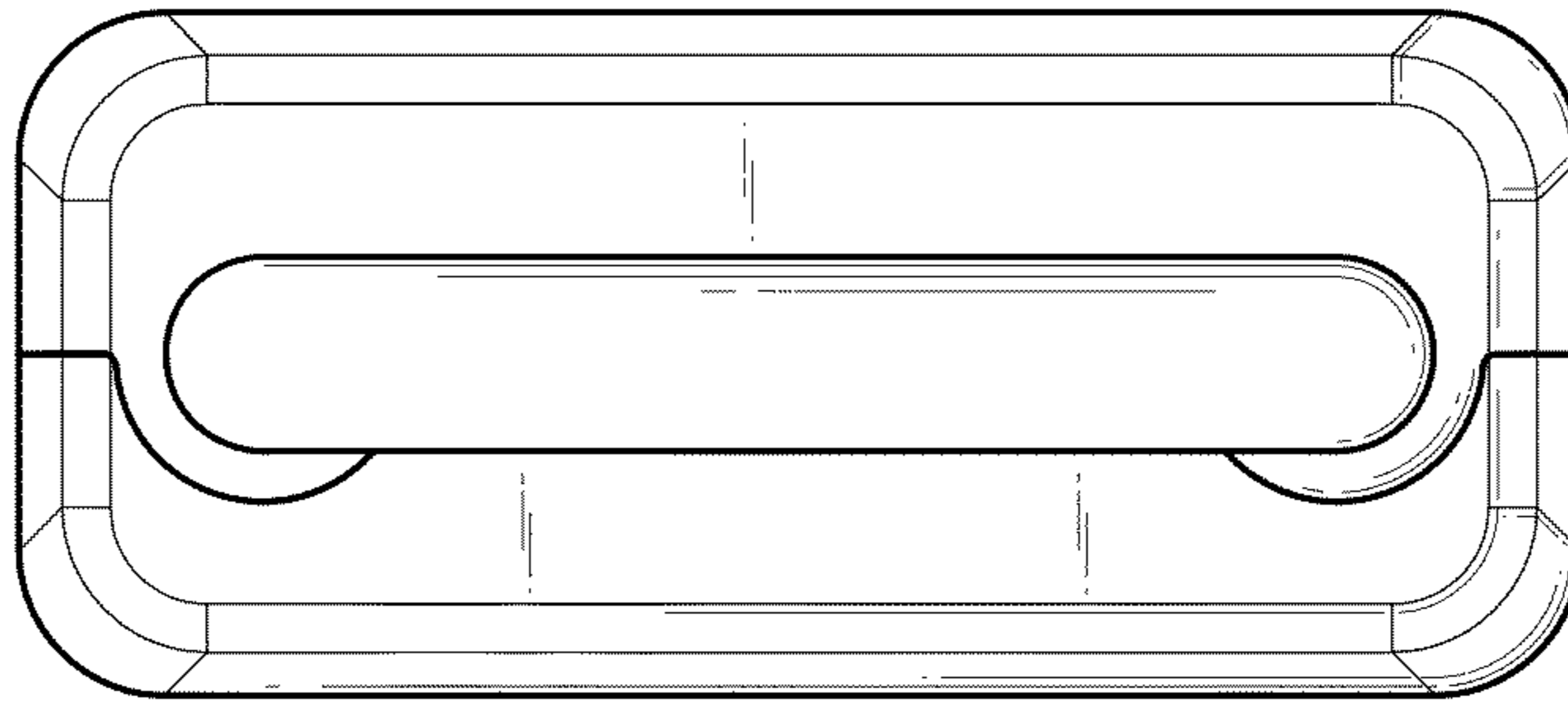


Fig . 6

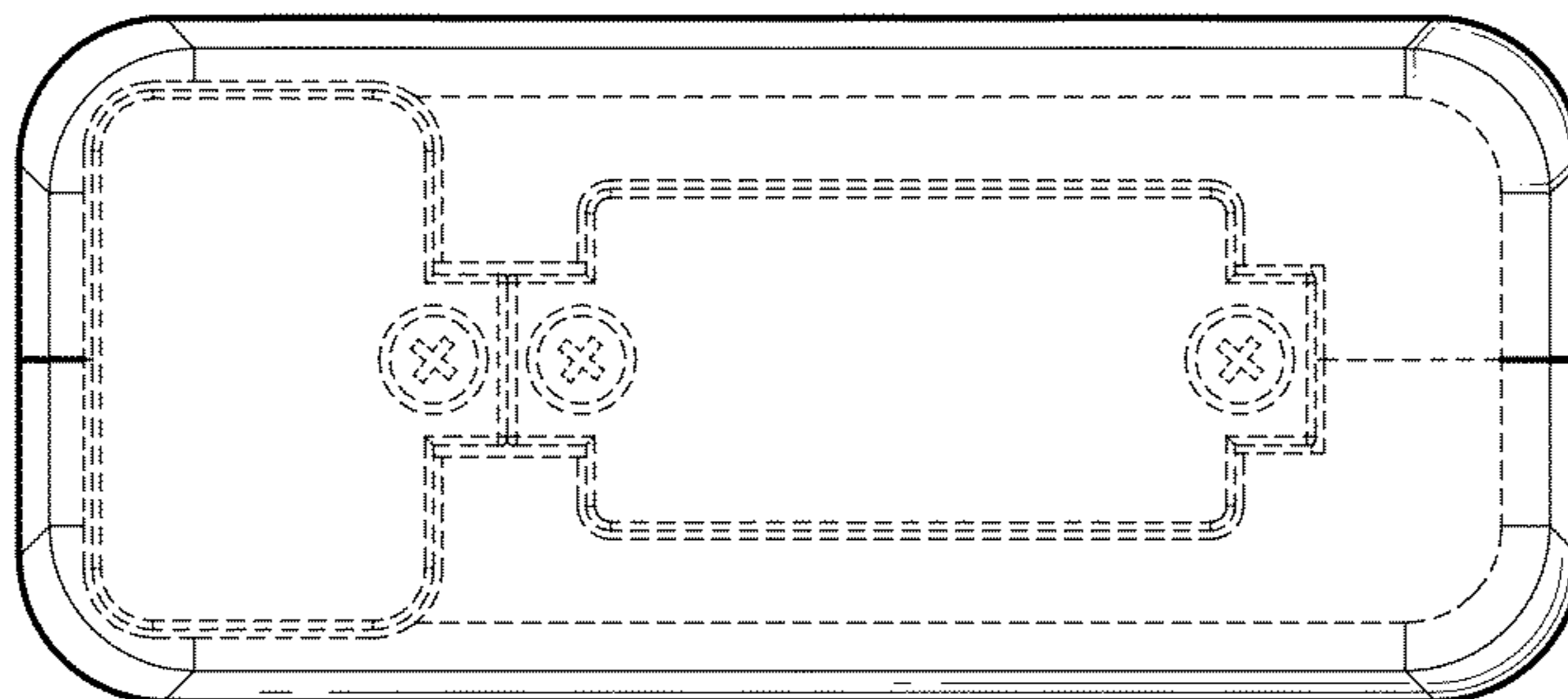


Fig . 7

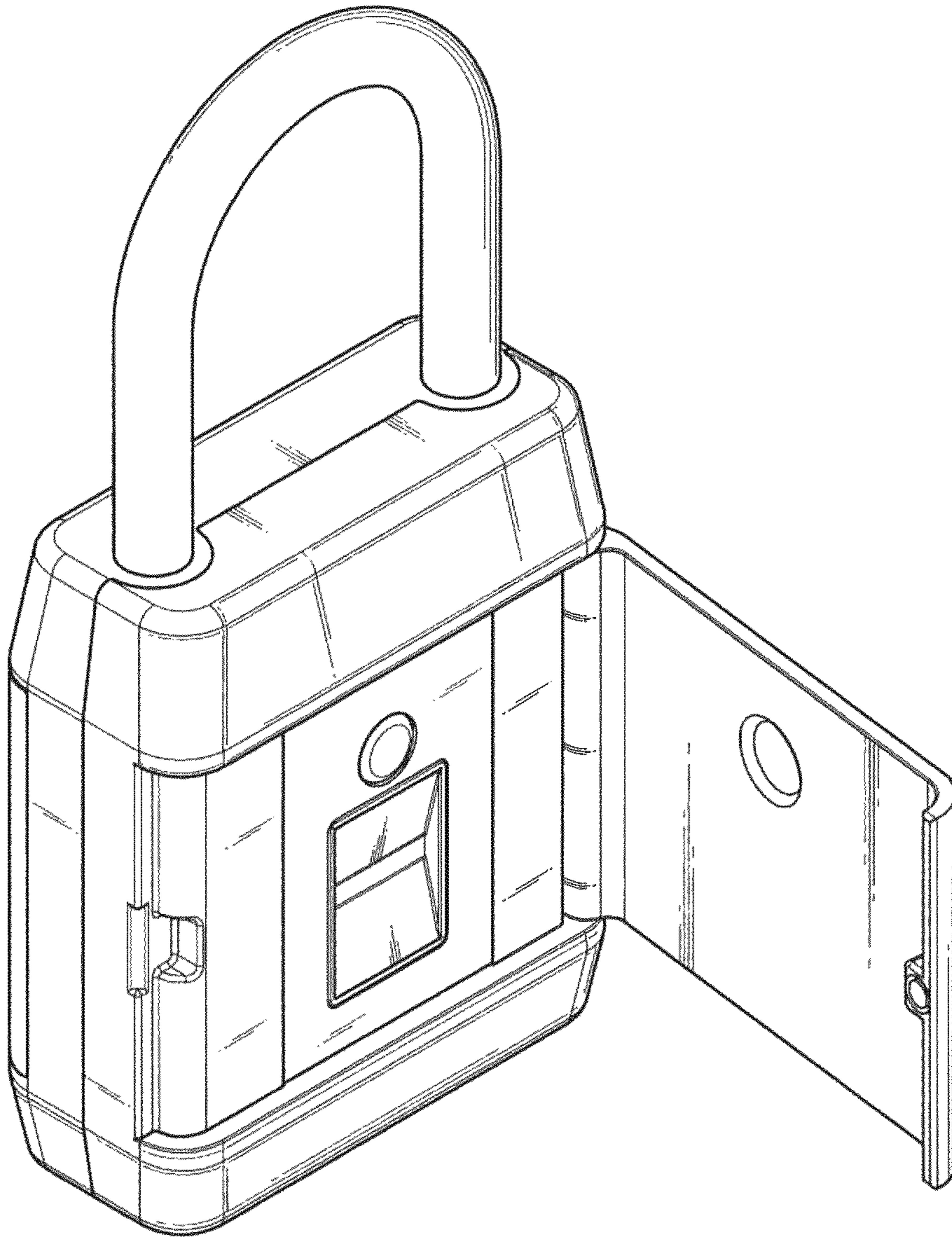


Fig . 8