



US00D722860S

(12) **United States Design Patent**
Linares

(10) **Patent No.:** **US D722,860 S**

(45) **Date of Patent:** **** Feb. 24, 2015**

(54) **HANDLE AND LATCH ASSEMBLY**

(71) Applicant: **ApexOEM, Inc.**, Fullerton, CA (US)

(72) Inventor: **Rodolfo Linares**, Whittier, CA (US)

(73) Assignee: **Apex OEM, Inc.**, Fullerton, CA (US)

(**) Term: **14 Years**

(21) Appl. No.: **29/480,788**

(22) Filed: **Jan. 29, 2014**

(51) **LOC (10) Cl.** **08-07**

(52) **U.S. Cl.**
USPC **D8/331**

(58) **Field of Classification Search**
USPC D8/330, 331, 335, 339, 302, 343;
70/141, 208; 292/336.3, 169, 358, 359,
292/170, 175, 165, 224, 140-145, 240-242,
292/DIG. 14, DIG. 30, DIG. 31, DIG. 4
See application file for complete search history.

(56) **References Cited**

U.S. PATENT DOCUMENTS

4,706,478 A * 11/1987 Swan et al. 70/28
5,913,908 A * 6/1999 Czipri 70/208
5,984,383 A * 11/1999 Parikh et al. 292/121

D427,882 S * 7/2000 Wytcherley et al. D8/331
6,109,669 A * 8/2000 Pinkow 292/175
6,406,075 B1 * 6/2002 Rice et al. 292/336.3
D506,120 S * 6/2005 Straka et al. D8/331
D533,048 S * 12/2006 Weinerman et al. D8/331
D545,667 S * 7/2007 Weinerman et al. D8/331
D590,694 S * 4/2009 Stuckey D8/331
D596,920 S * 7/2009 Cotton et al. D8/331
D678,750 S * 3/2013 Tung D8/331

* cited by examiner

Primary Examiner — Prabhakar Deshmukh

(74) *Attorney, Agent, or Firm* — Raymond Sun

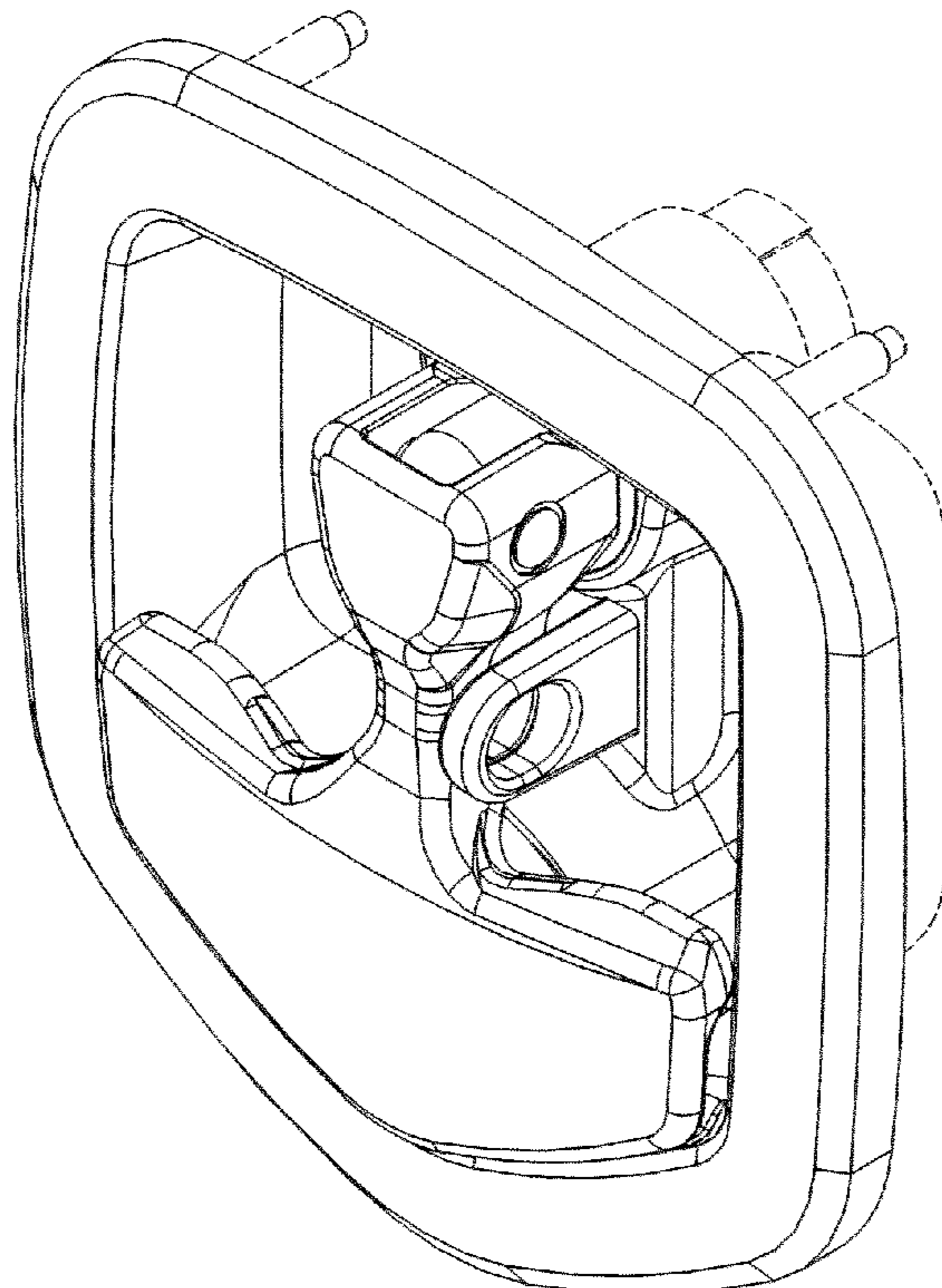
(57) **CLAIM**

The ornamental design for a handle and latch assembly, as shown and described.

DESCRIPTION

FIG. 1 is a perspective view of a handle and latch assembly showing my new design;
FIG. 2 is a front elevational view thereof;
FIG. 3 is a rear elevational view thereof;
FIG. 4 is a right side elevational view thereof;
FIG. 5 is a left side elevational view thereof;
FIG. 6 is a top plan view thereof; and,
FIG. 7 is a bottom plan view thereof.

1 Claim, 4 Drawing Sheets



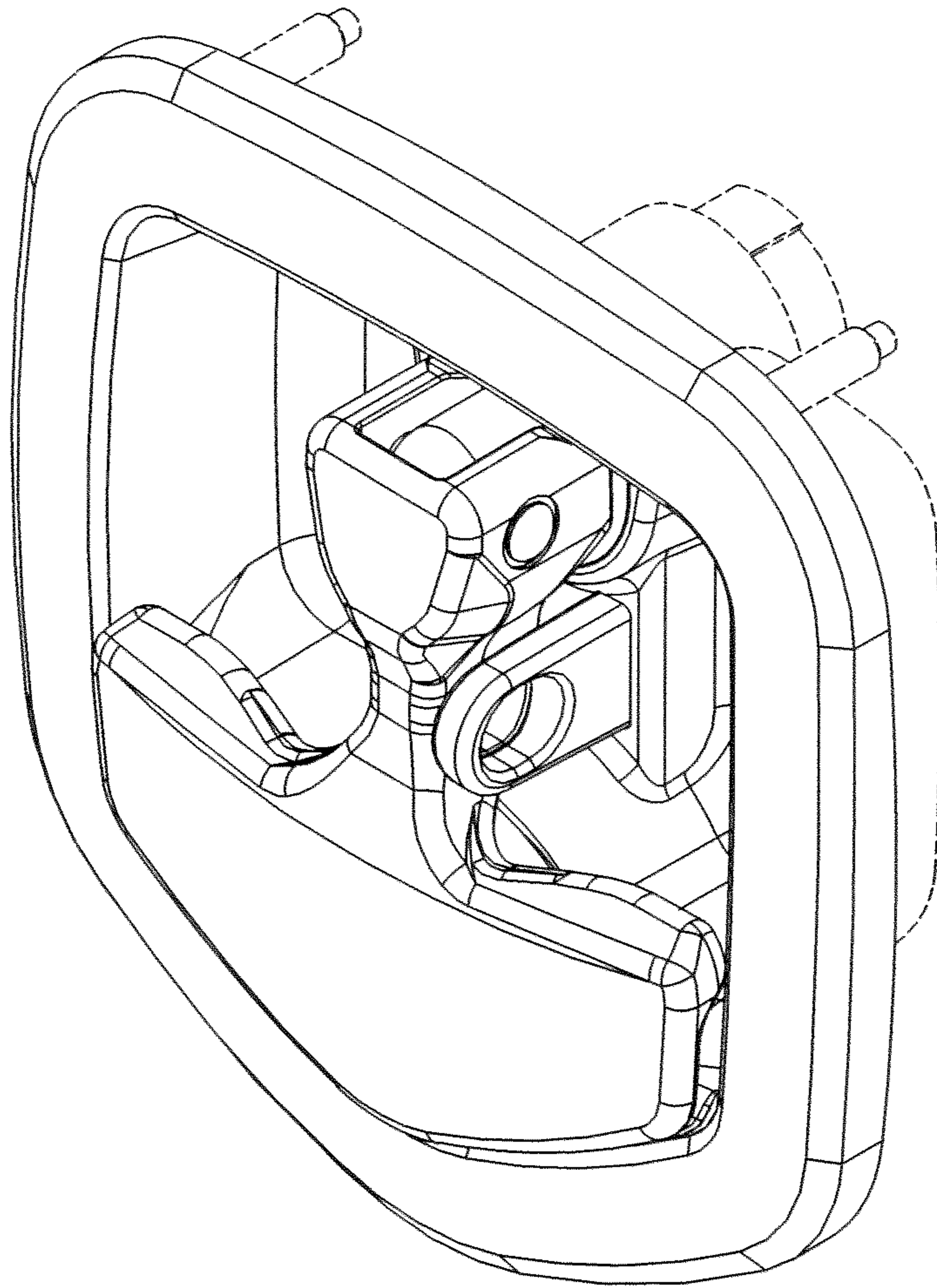


Fig. 1

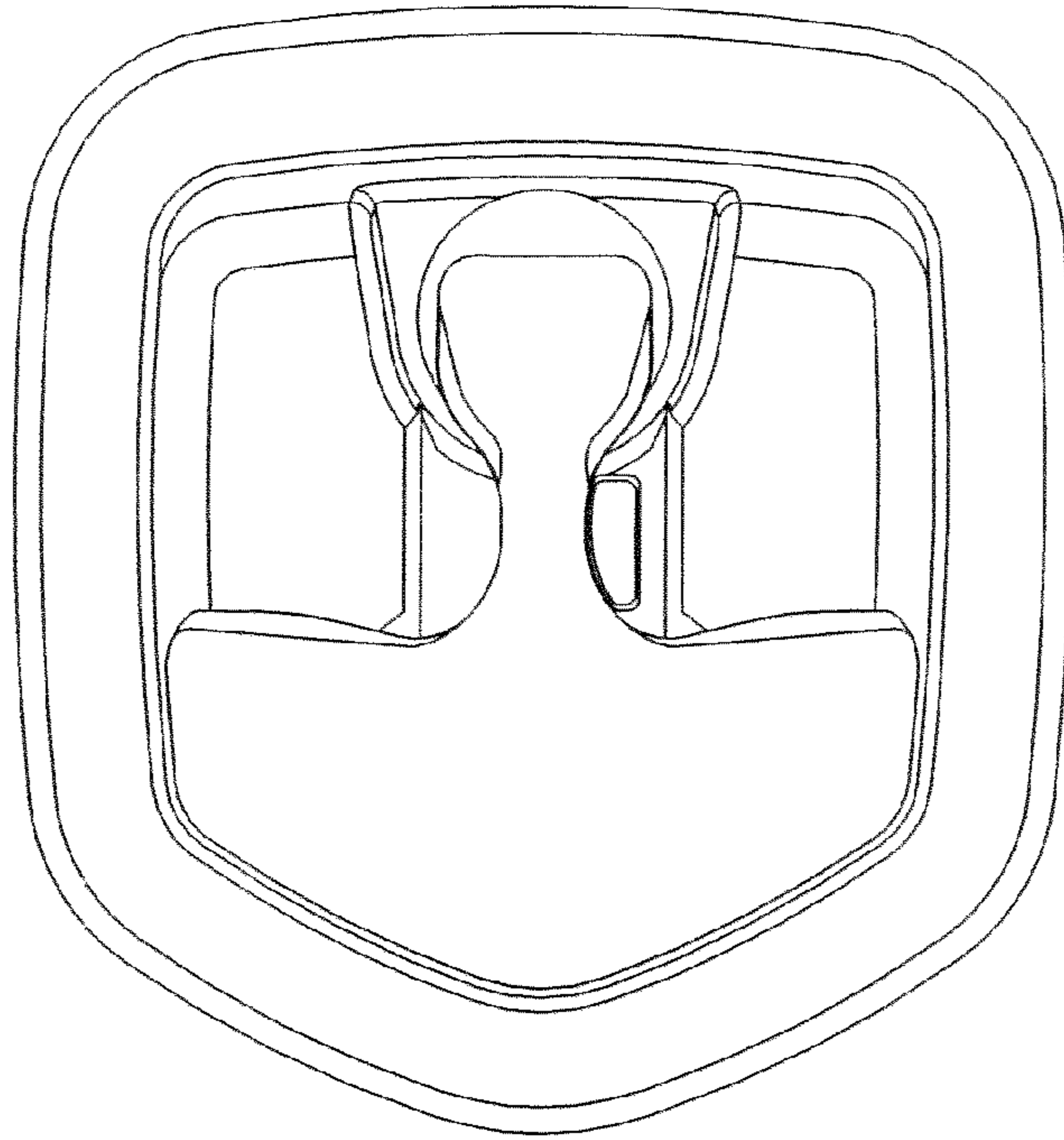


Fig. 2

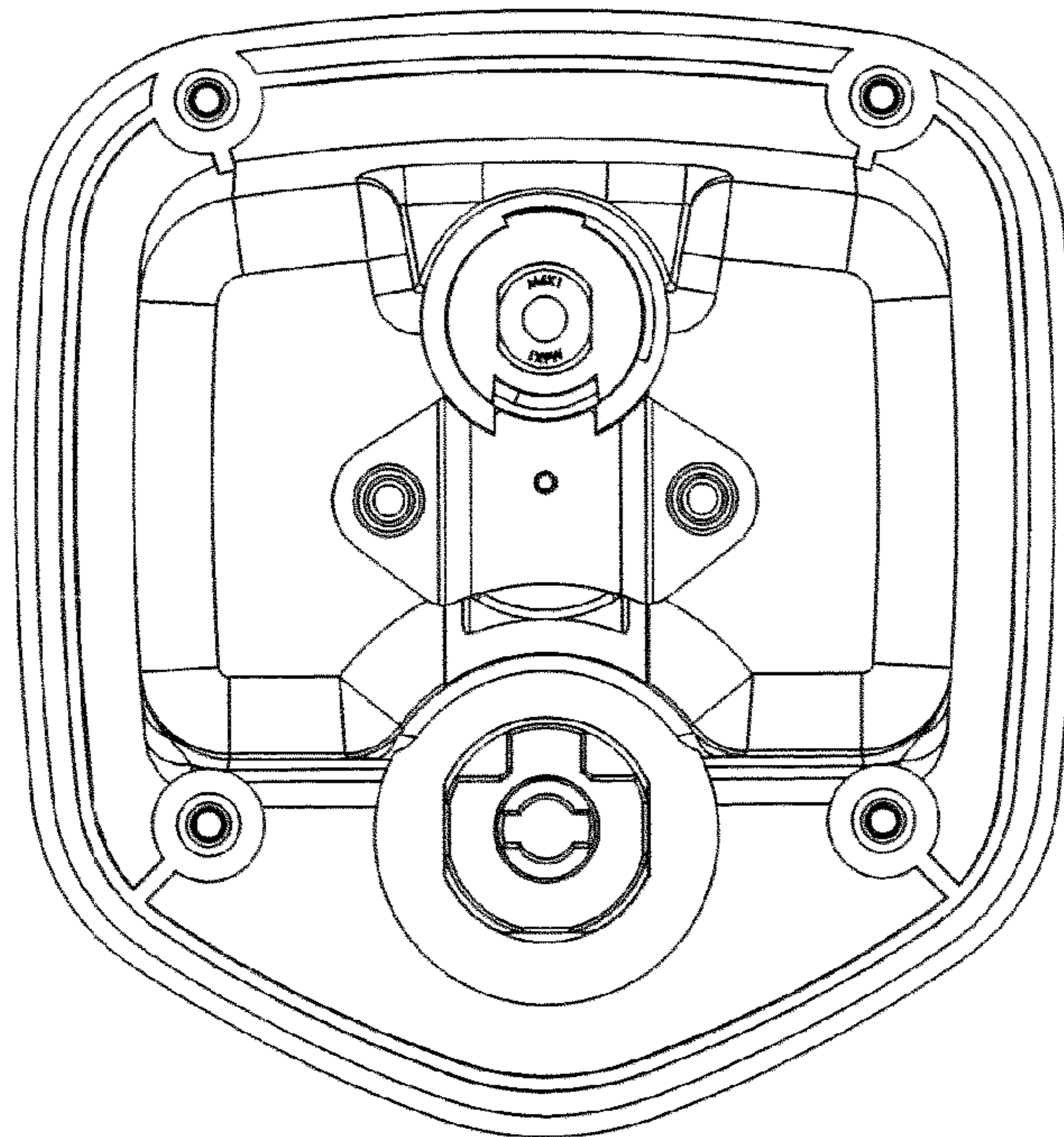


Fig. 3

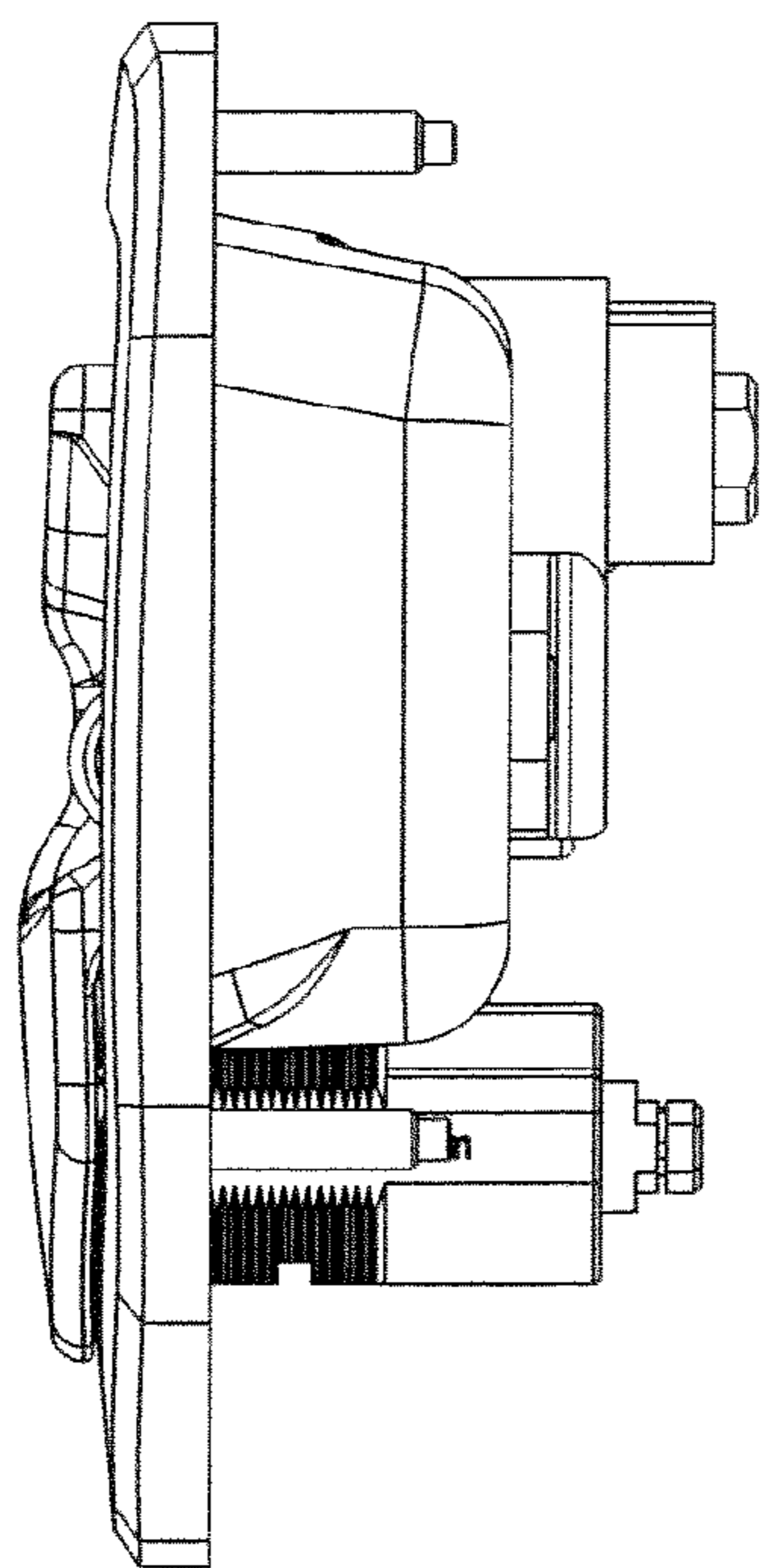


Fig. 4

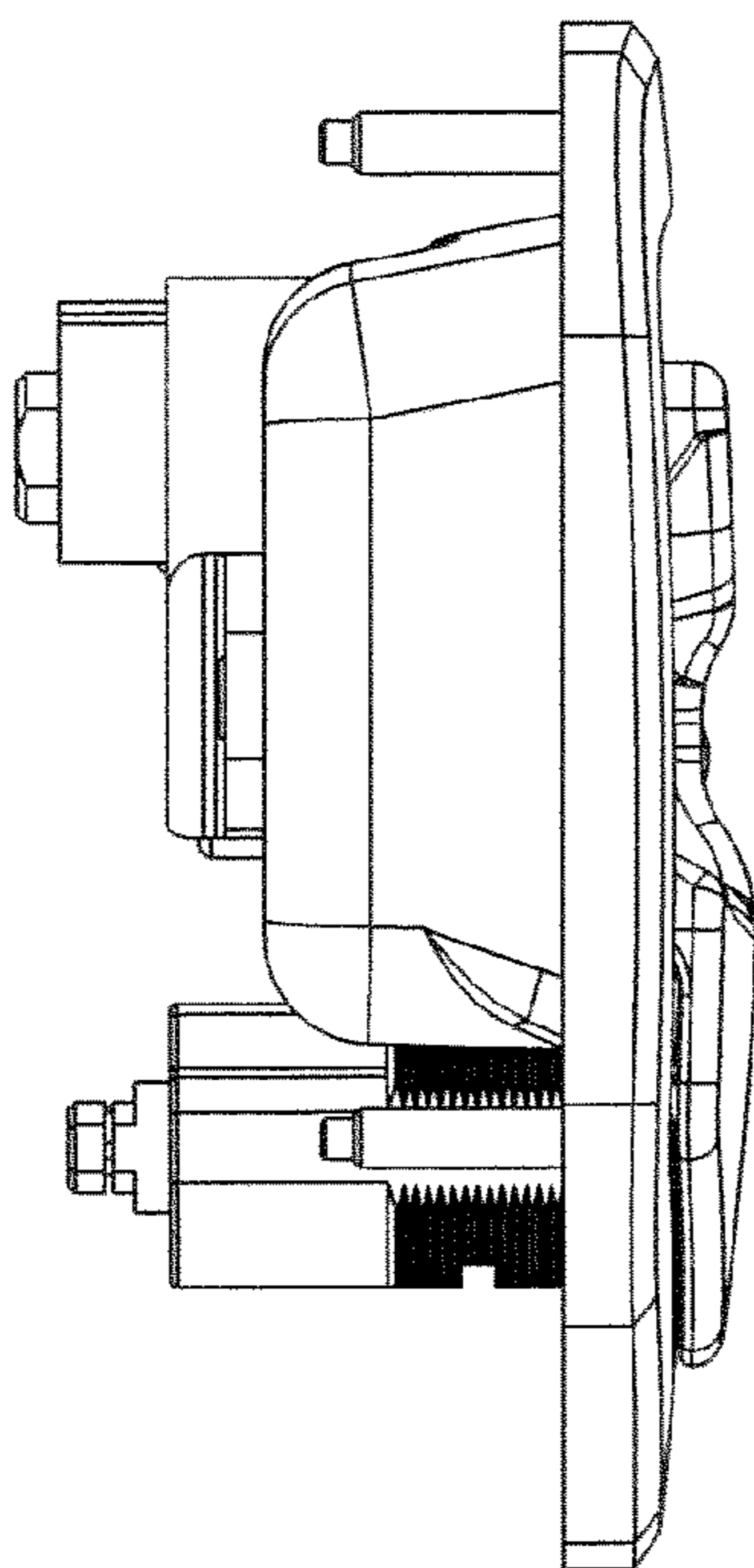


Fig. 5

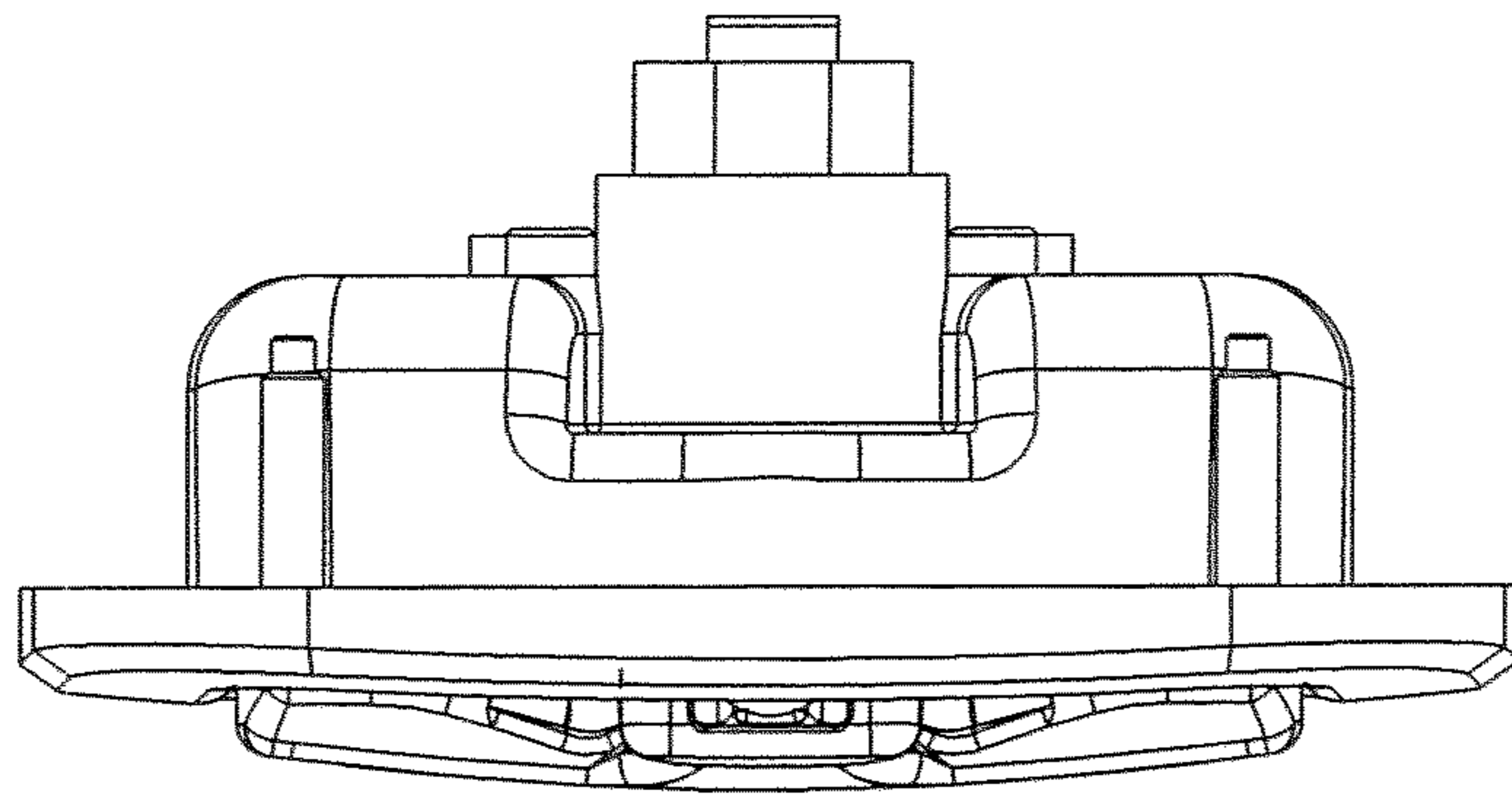


Fig. 6

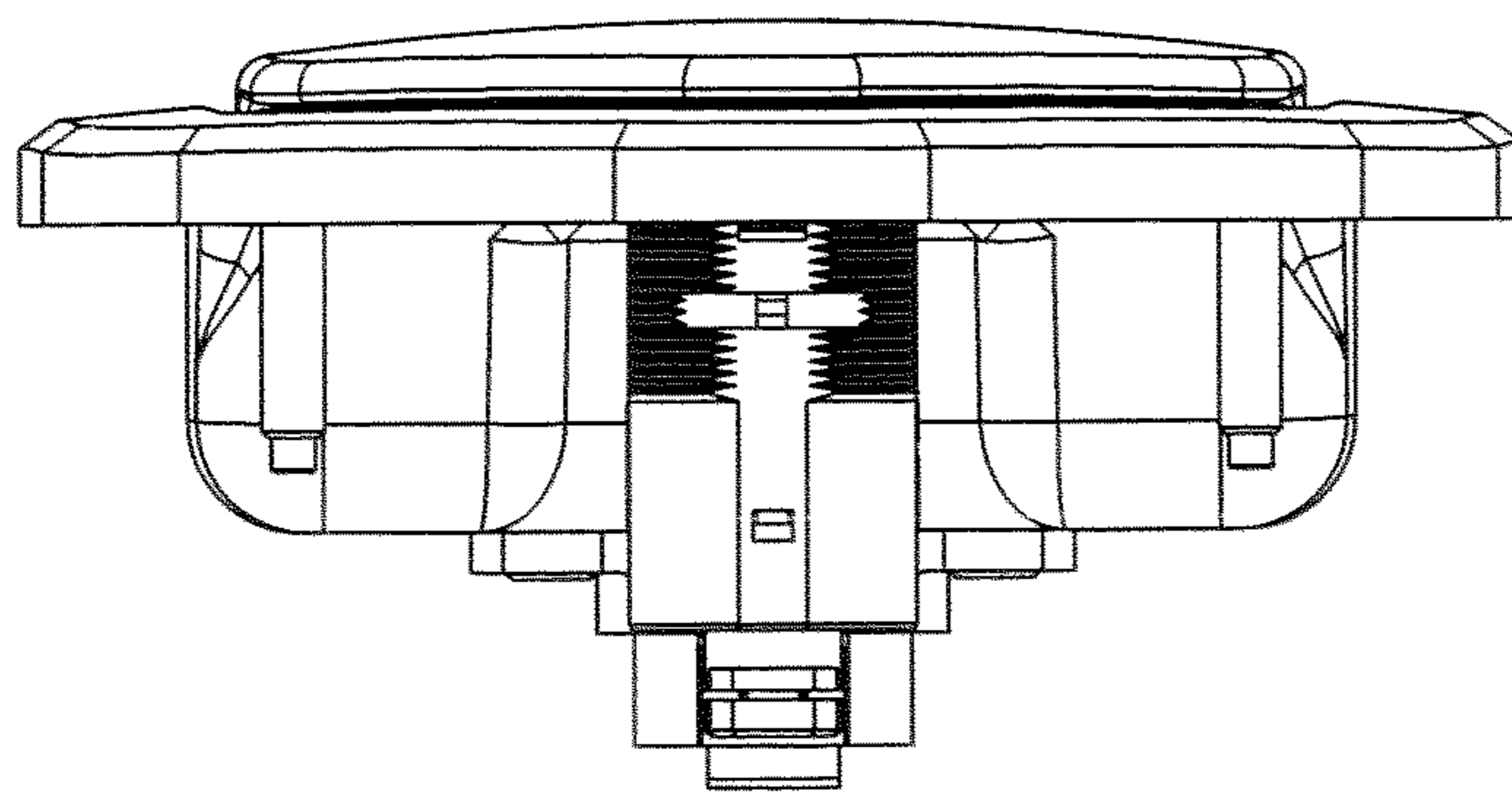


Fig. 7