



US00D722859S

(12) **United States Design Patent**  
**Smither**

(10) **Patent No.:** **US D722,859 S**

(45) **Date of Patent:** **\*\* Feb. 24, 2015**

(54) **SHAPED PROTECTIVE COVER FOR A DOOR FIXTURE**

(71) Applicant: **Kevin S. Smither**, Boca Raton, FL (US)

(72) Inventor: **Kevin S. Smither**, Boca Raton, FL (US)

(73) Assignee: **Protechar, LLC**, Louisville, KY (US)

(\*\*) Term: **14 Years**

(21) Appl. No.: **29/455,935**

(22) Filed: **May 28, 2013**

(51) **LOC (10) Cl.** ..... **08-06**

(52) **U.S. Cl.**  
USPC ..... **D8/322**

(58) **Field of Classification Search**  
USPC ..... D8/322; 292/DIG. 2; 49/462, 460;  
52/717.01, 716.1; D25/199  
See application file for complete search history.

(56) **References Cited**

**U.S. PATENT DOCUMENTS**

6,826,877	B1 *	12/2004	Stradel	.....	52/211
D513,696	S *	1/2006	Elwell et al.	.....	D8/322
2005/0028447	A1 *	2/2005	Salzman	.....	49/462
2011/0302845	A1 *	12/2011	McRoskey	.....	49/460

\* cited by examiner

*Primary Examiner* — Doris Clark

(74) *Attorney, Agent, or Firm* — Bingham Greenebaum Doll LLP; James C. Eaves, Jr.; Brian W. Chellgren

(57) **CLAIM**

The ornamental design for a shaped protective cover for a door fixture, as shown and described.

**DESCRIPTION**

FIG. 1 is a top view of a shaped protective cover for a door fixture of the present design;

FIG. 2 is a bottom view of the shaped protective cover for a door fixture of the present design;

FIG. 3 is a rear view of the shaped protective cover for a door fixture of the present design;

FIG. 4 is a front view of the shaped protective cover for a door fixture of the present design;

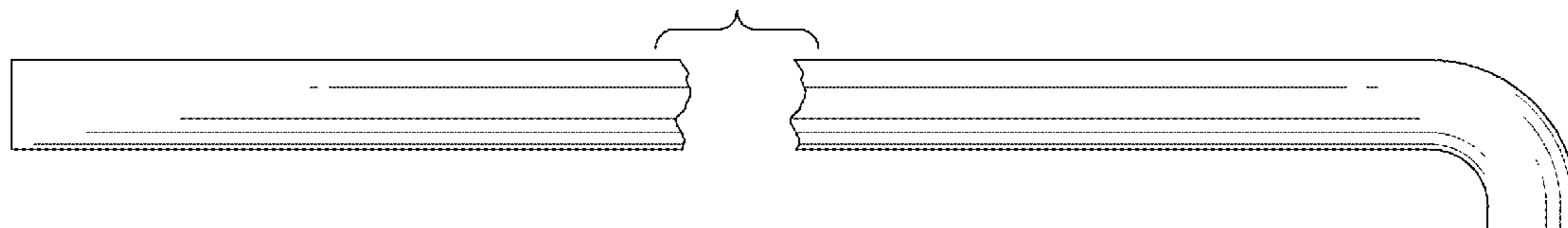
FIG. 5 is a right side view of the shaped protective cover for a door fixture of the present design;

FIG. 6 is a left side view of the shaped protective cover for a door fixture of the present design;

FIG. 7 is a top rear perspective view of a second embodiment of a shaped protective cover for a door fixture of the present design; and,

FIG. 8 is a top rear perspective view of a third embodiment of a shaped protective cover for a door fixture of the present design.

**1 Claim, 7 Drawing Sheets**



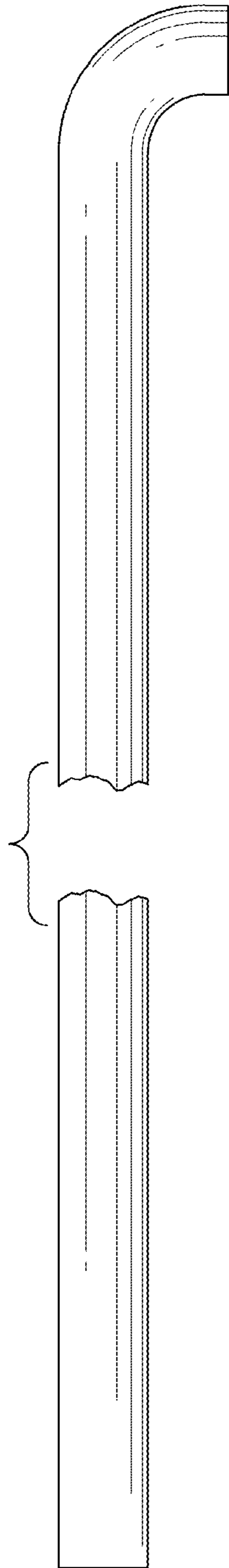


FIG. 1

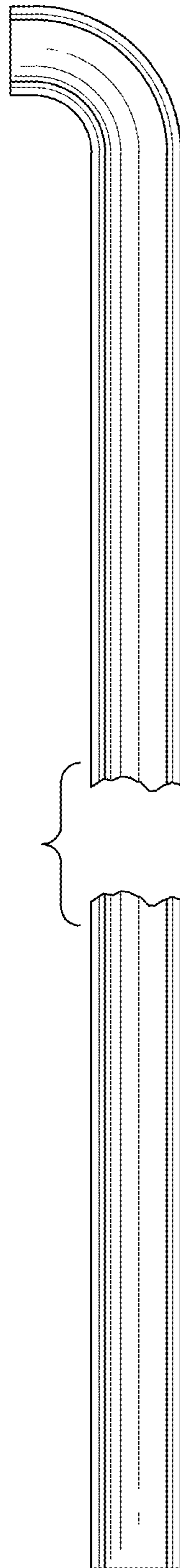


FIG. 2



FIG. 3

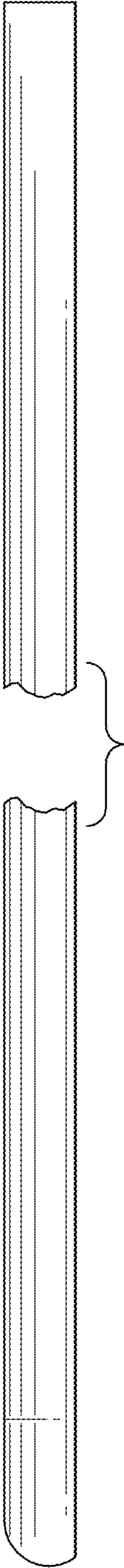


FIG. 4

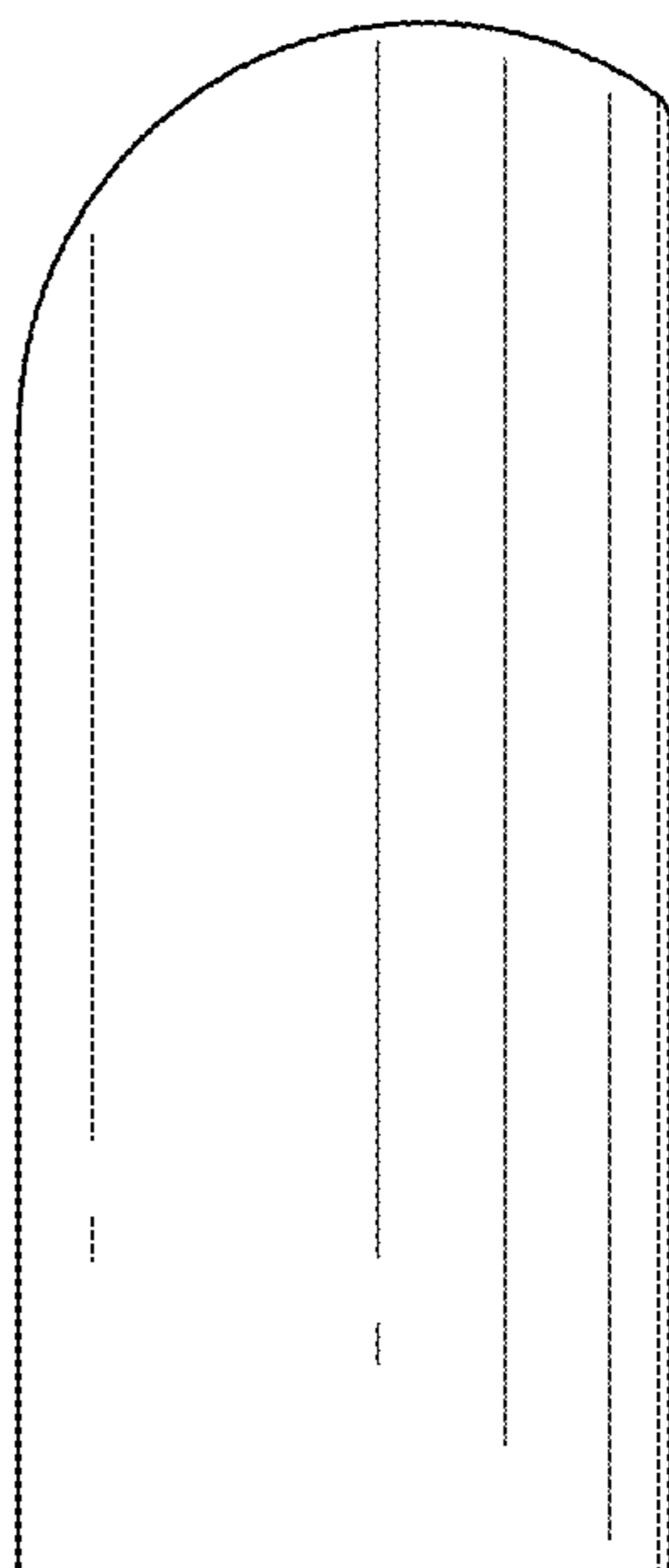


FIG. 6

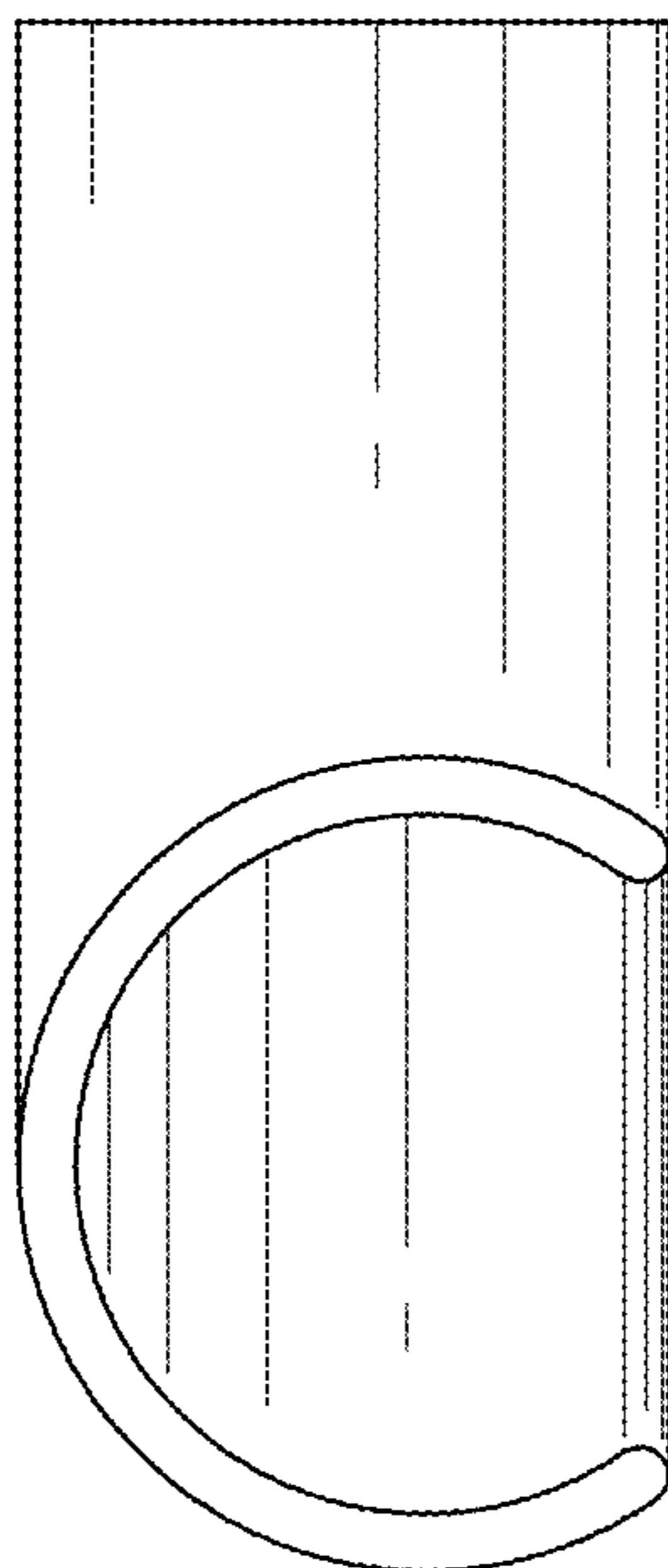


FIG. 5

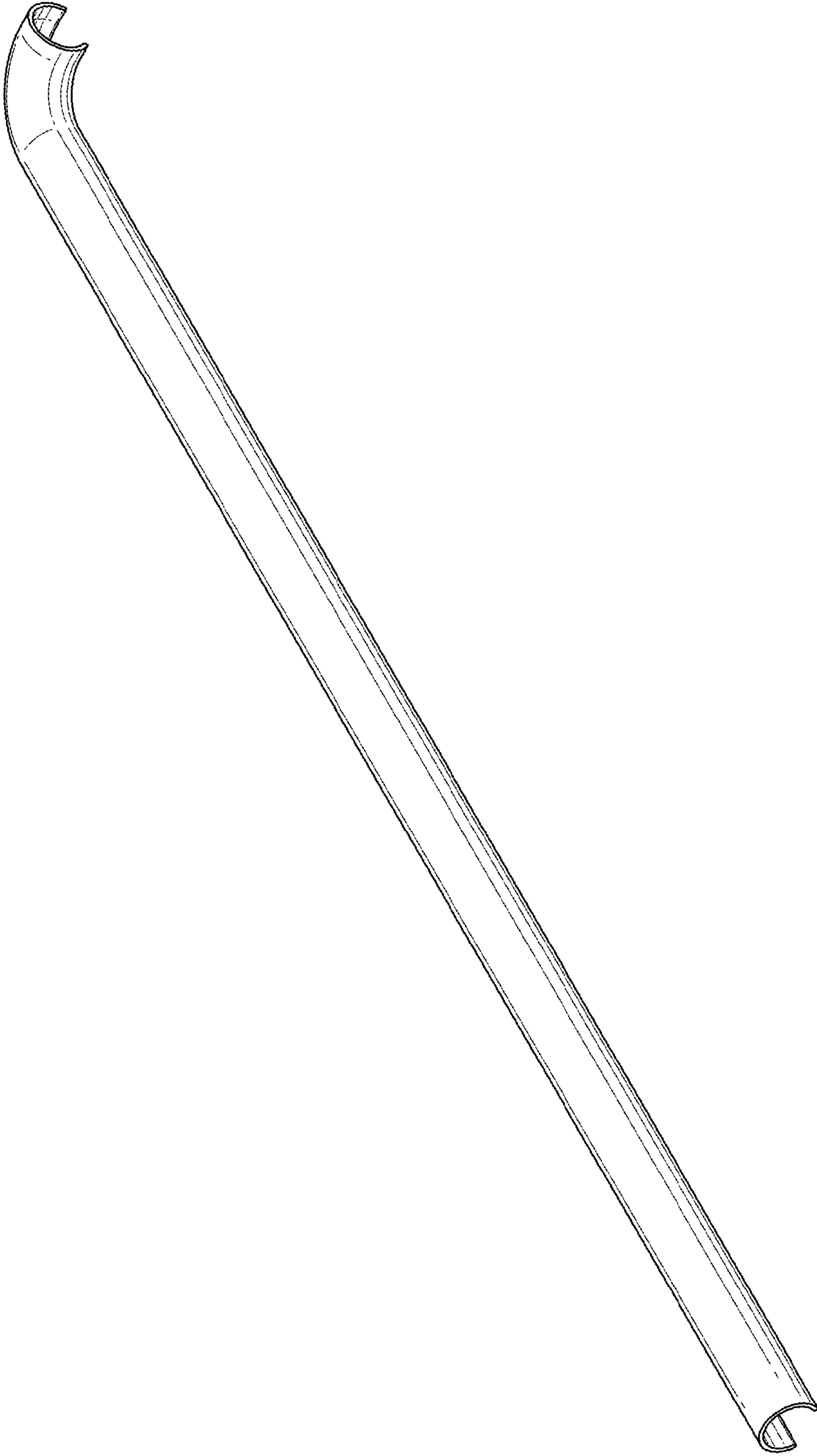


FIG. 7

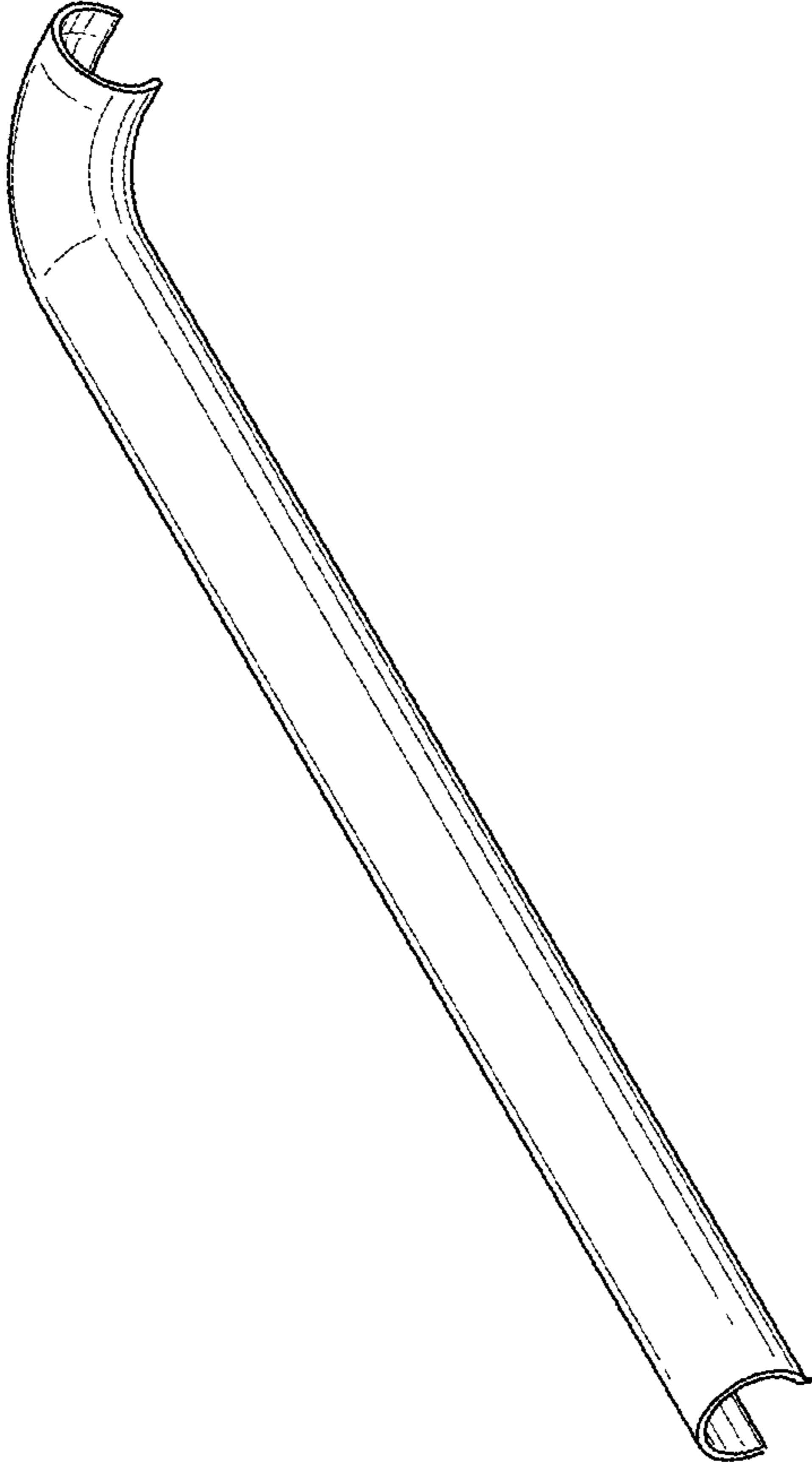


FIG. 8