



US00D722858S

(12) **United States Design Patent**
Kinskey

(10) **Patent No.:** **US D722,858 S**

(45) **Date of Patent:** **** Feb. 24, 2015**

(54) **TOOL BAG HANDLE**

(71) Applicant: **LF Centennial Limited**, Tortola (VG)

(72) Inventor: **Terrence P. Kinskey**, Alpharetta, GA (US)

(73) Assignee: **LF Centennial Ltd.**, Road Town, Tortola (VG)

(**) Term: **14 Years**

(21) Appl. No.: **29/476,923**

(22) Filed: **Dec. 18, 2013**

(51) **LOC (10) Cl.** **08-06**

(52) **U.S. Cl.**
USPC **D8/317; D3/318**

(58) **Field of Classification Search**

USPC D3/318, 321, 322, 324, 328, 216, 217,
D3/273, 274, 276, 279, 281, 282, 291, 294,
D3/905; D8/300–302, 306, 316–317,
D8/319–320, 321–322, 273; 16/10.1,
16/113.1, 114.1, 405–406, 408, 421–422;
190/18 A, 39, 111, 114–115; 206/349,
206/372, 373; D13/107

See application file for complete search history.

(56) **References Cited**

U.S. PATENT DOCUMENTS

D147,878 S *	11/1947	Stevens	D8/306
D235,730 S *	7/1975	Bush	D8/306
D290,683 S *	7/1987	Dartnall	D8/319
D314,130 S *	1/1991	Lee	D8/317
D333,725 S *	3/1993	Thomas	D3/279
D335,810 S *	5/1993	Asien	D8/306
D364,958 S *	12/1995	Chang	D3/276
D427,572 S *	7/2000	Solomon et al.	D14/439
D462,168 S *	9/2002	Klemmensen et al.	D3/279
7,604,103 B2 *	10/2009	Hamlin	190/111
D609,634 S *	2/2010	Daniels et al.	D13/107
2012/0228171 A1 *	9/2012	Kinskey	206/349

* cited by examiner

Primary Examiner — Stella Reid

Assistant Examiner — Holly E Thurman

(74) *Attorney, Agent, or Firm* — Duane Morris LLP; J. Rodman Steele, Jr.; Gregory M. Lefkowitz

(57) **CLAIM**

The ornamental design for a tool bag handle, as shown and described.

DESCRIPTION

FIG. 1 is a front, perspective view in accordance with a new tool bag handle design;

FIG. 2 is a front view of the design of FIG. 1, where the back view is a mirror image of FIG. 2;

FIG. 3 is a right side view of the design of FIG. 1, where the left side view is a mirror image of FIG. 3;

FIG. 4 is the cross-sectional view taken in the direction of lines 4-4 of FIG. 2.

FIG. 5 is a top view of the design of FIG. 1;

FIG. 6 is the bottom cross-sectional view taken in the direction of lines 6-6 of FIG. 2.

FIG. 7 is a front, perspective view of an embodiment of the design of FIG. 1;

FIG. 8 is a front view of the design of FIG. 7, where the back view is a mirror image of FIG. 9;

FIG. 9 is a right side view of the design of FIG. 7, where the left side view is a mirror image of FIG. 9;

FIG. 10 is the cross-sectional view taken in the direction of lines 10-10 of FIG. 8.

FIG. 11 is a top view of the design of FIG. 7;

FIG. 12 is the bottom cross-sectional view taken in the direction of lines 12-12 of FIG. 8.

FIG. 13 is a front, perspective view of another embodiment of the design of FIG. 1;

FIG. 14 is a front view of the design of FIG. 13, where the back view is a mirror image of FIG. 14;

FIG. 15 is a right side view of the design of FIG. 13, where the left side view is a mirror image of FIG. 15;

FIG. 16 is the cross-sectional view taken in the direction of lines 16-16 of FIG. 14.

FIG. 17 is a top view of the design of FIG. 13; and,

FIG. 18 is the bottom cross-sectional view taken in the direction of lines 18-18 of FIG. 14.

The broken lines are included for purposes of illustrating environment and form no part of the claimed design.

The portions of the article shown broken away with broken, zig-zag, cut-off lines in FIGS. 1, 2, 5, and 6 indicate that any portion of the article beyond what is shown forms no part of the claimed design.

1 Claim, 13 Drawing Sheets

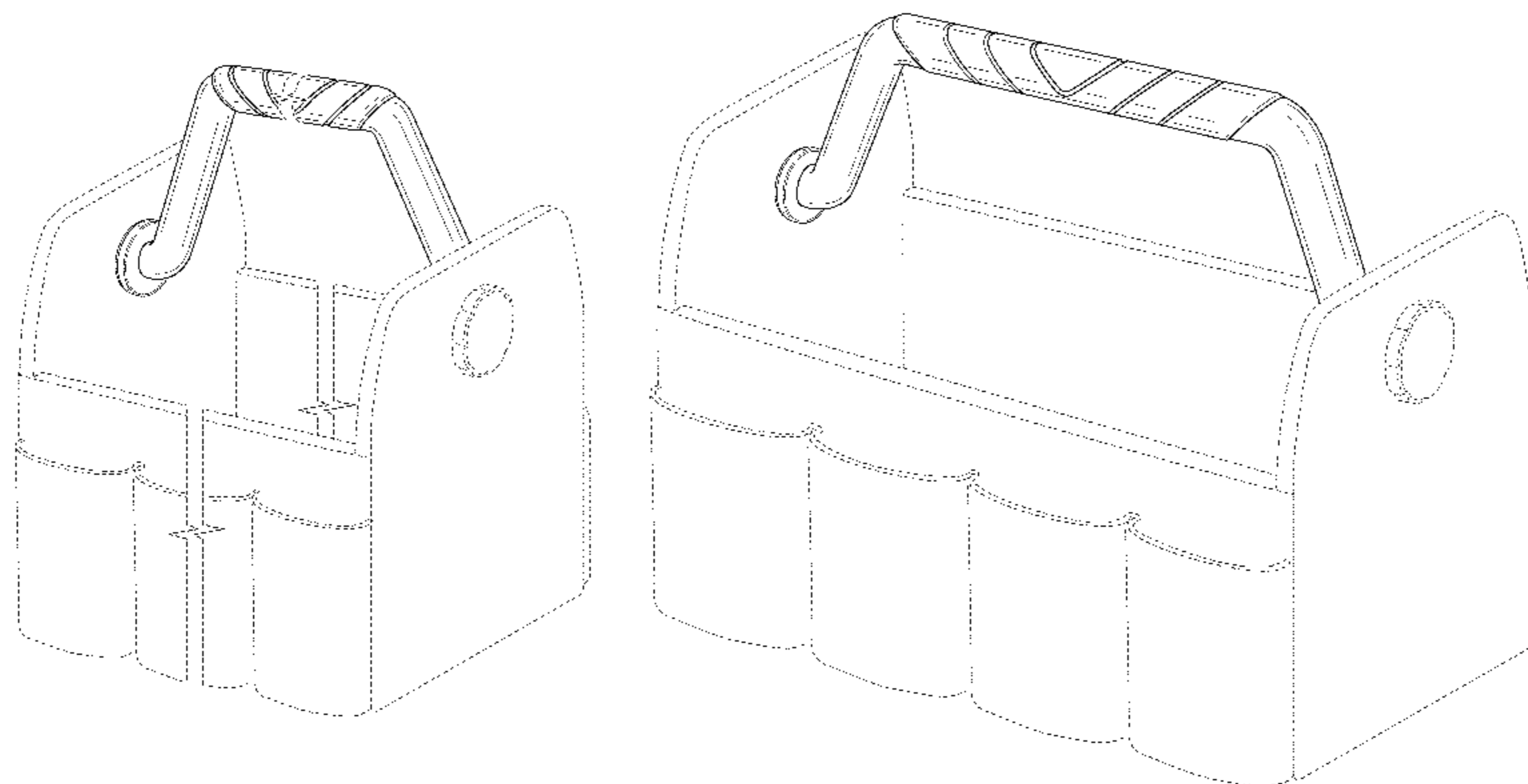




FIG. 1

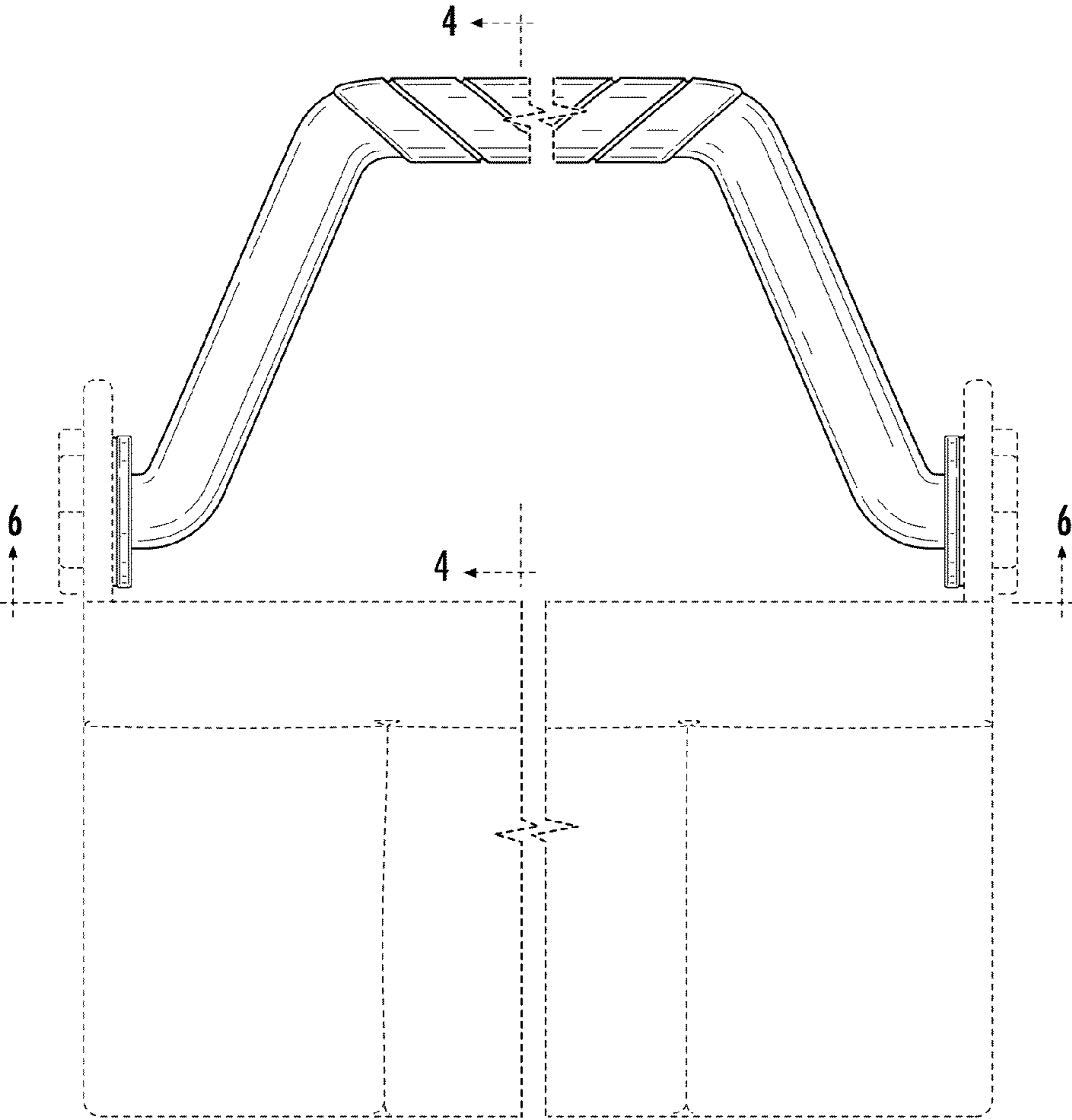


FIG. 2

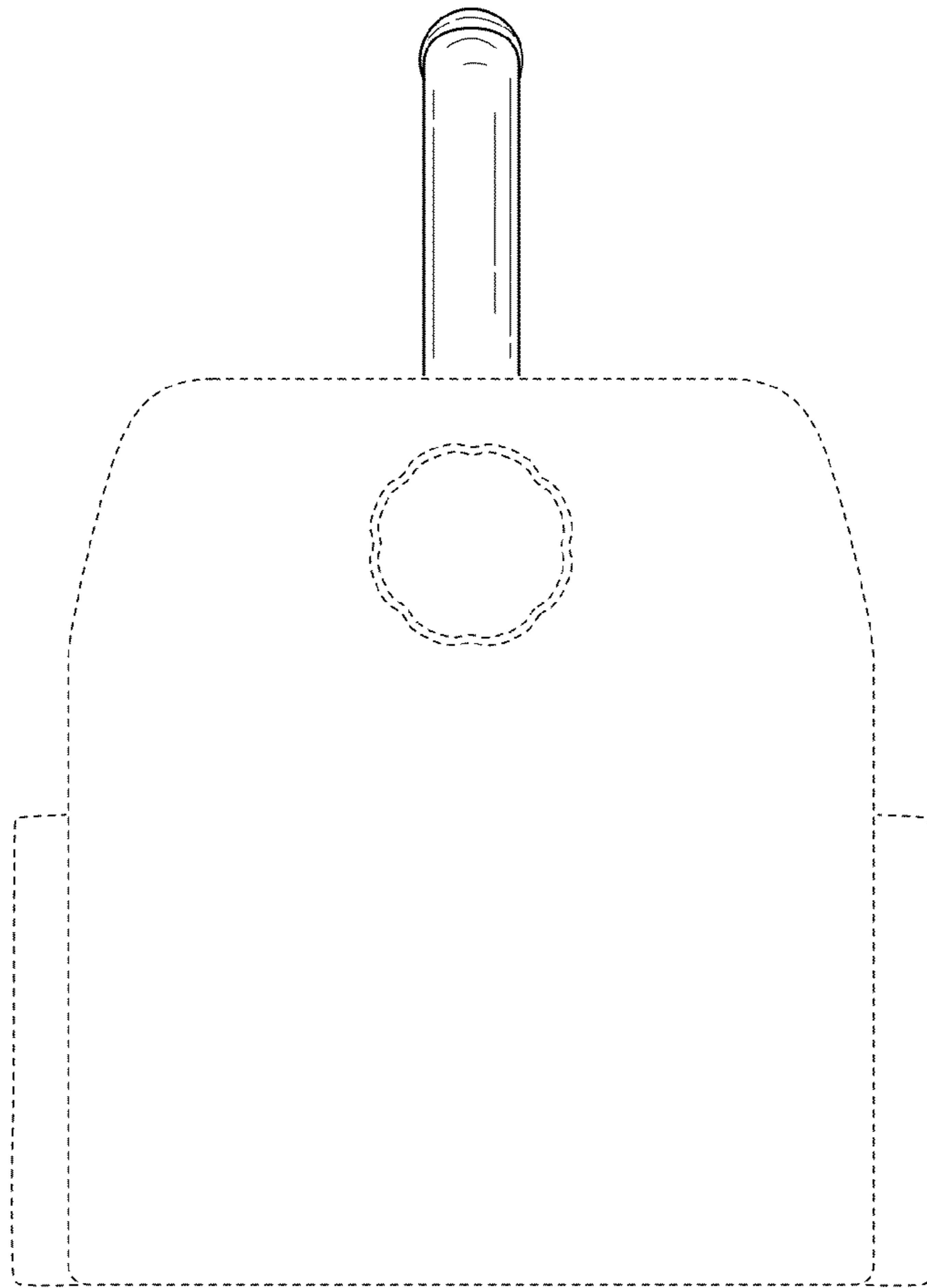


FIG. 3

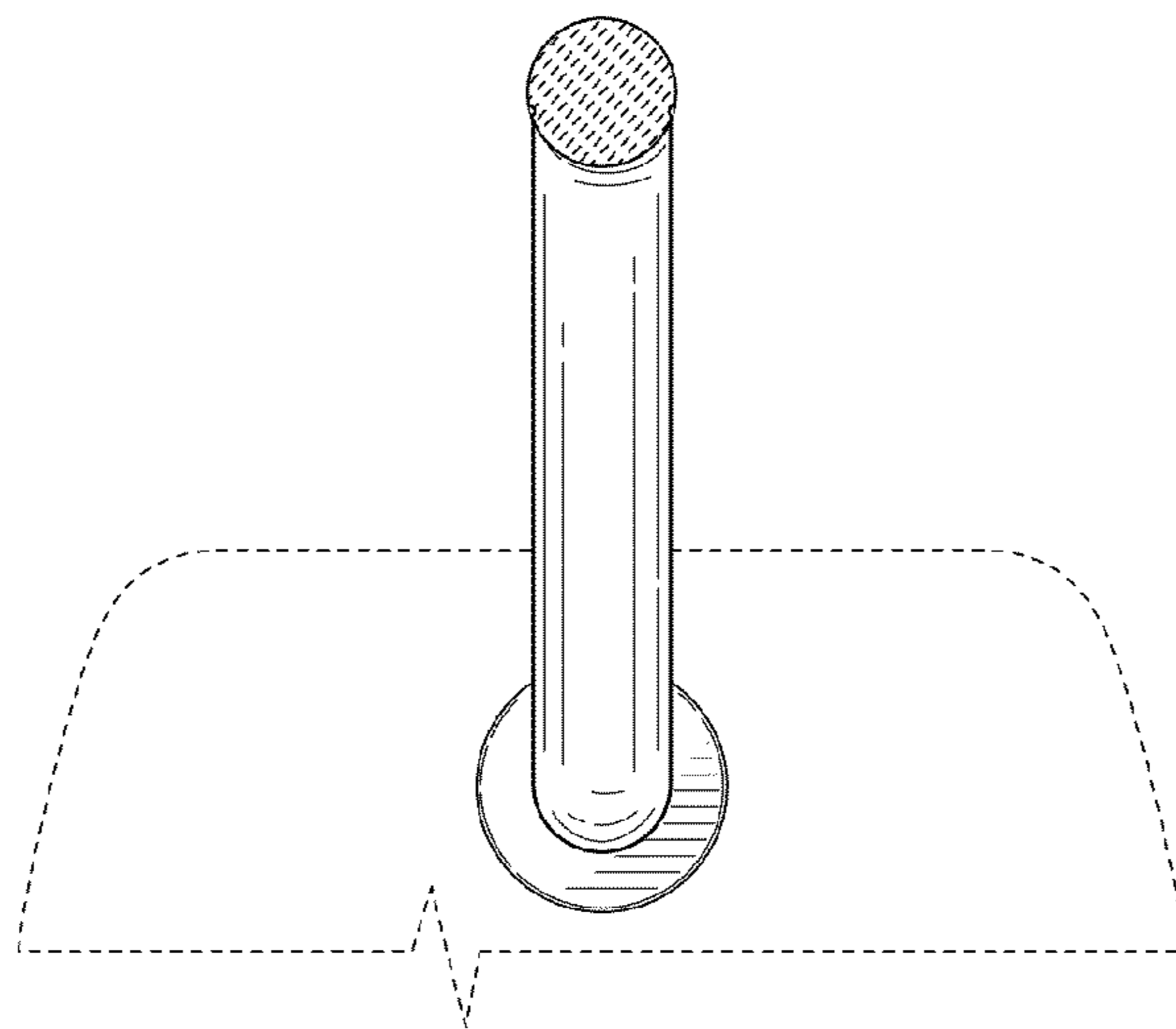


FIG. 4

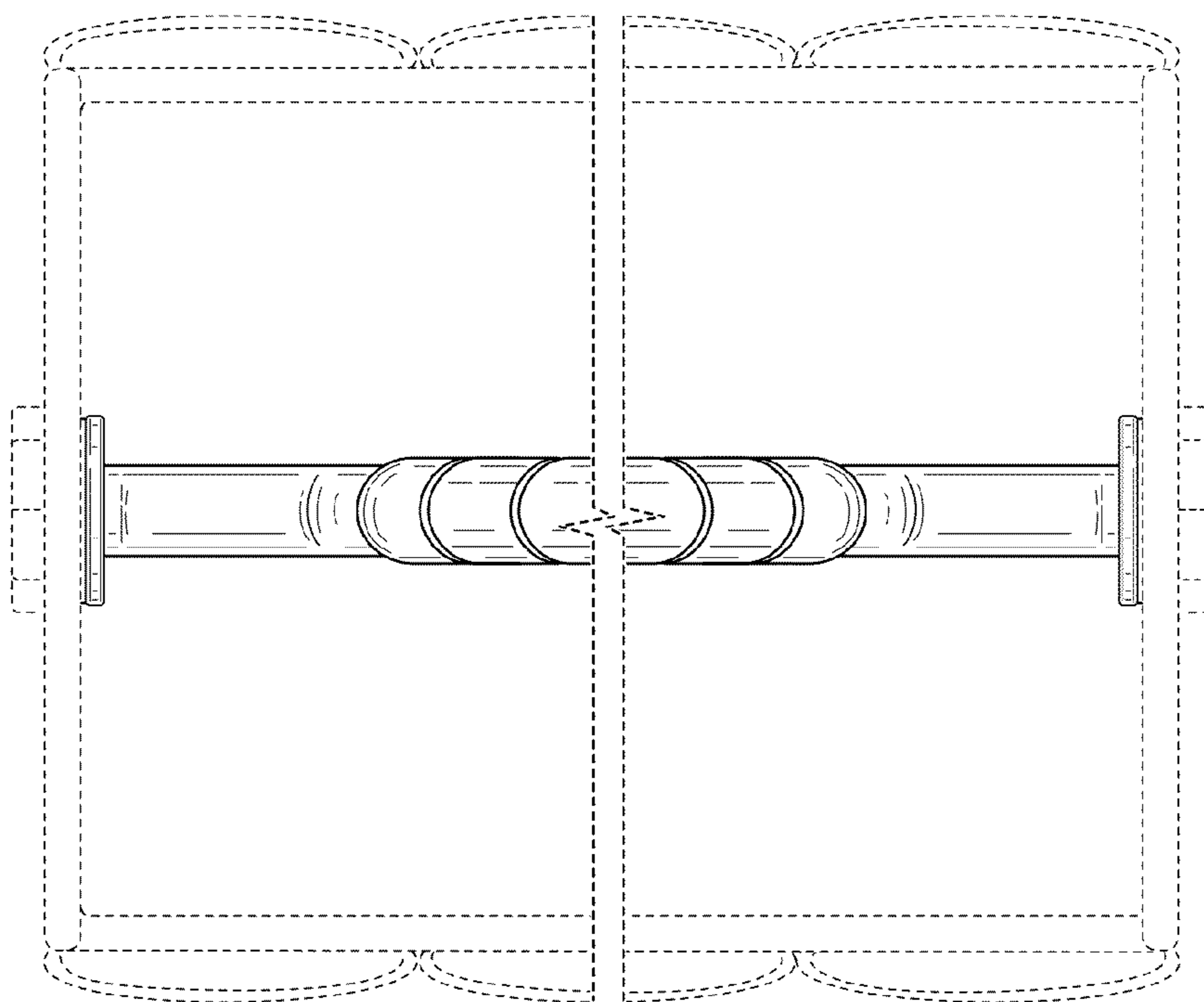


FIG. 5

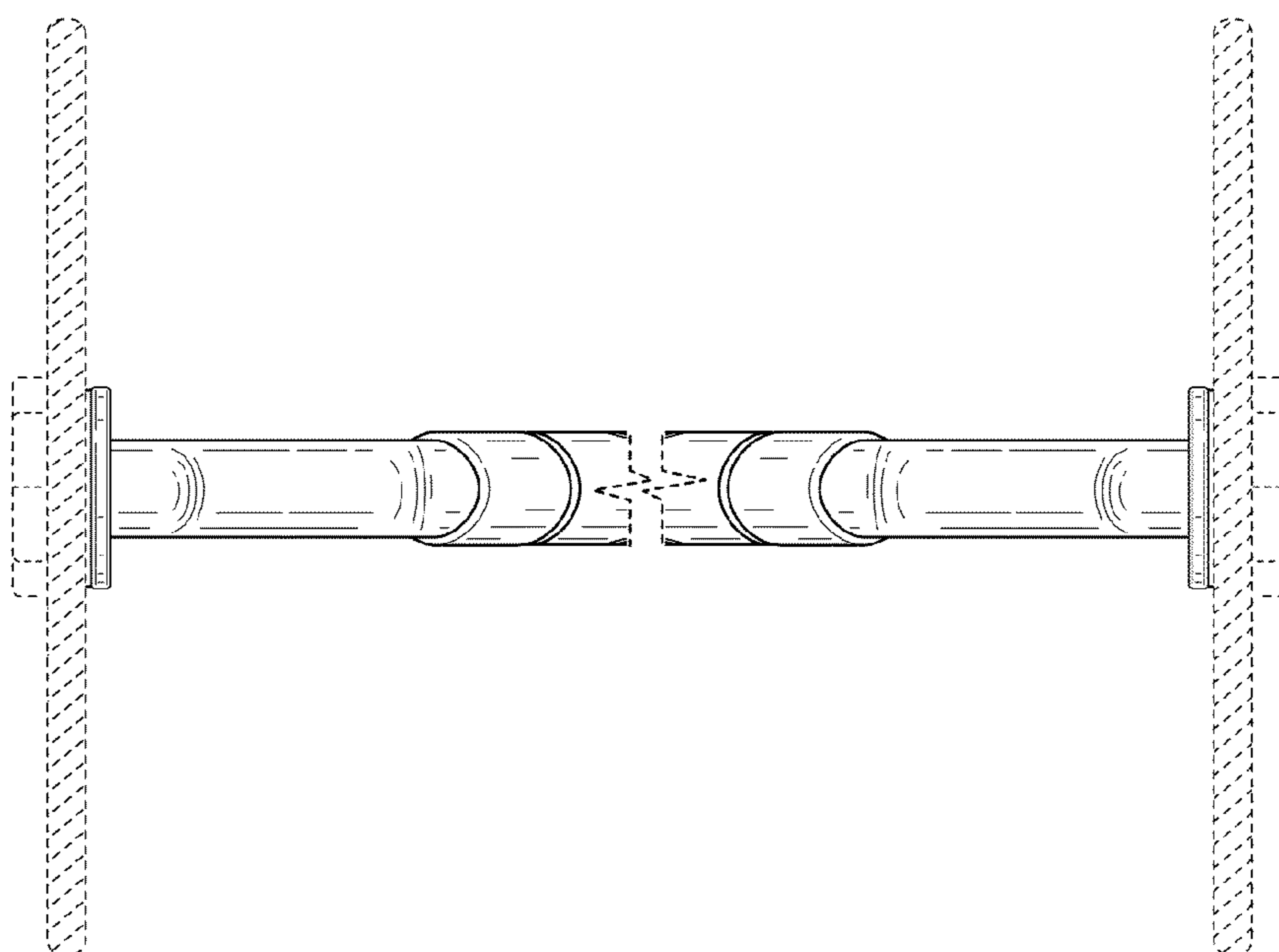


FIG. 6

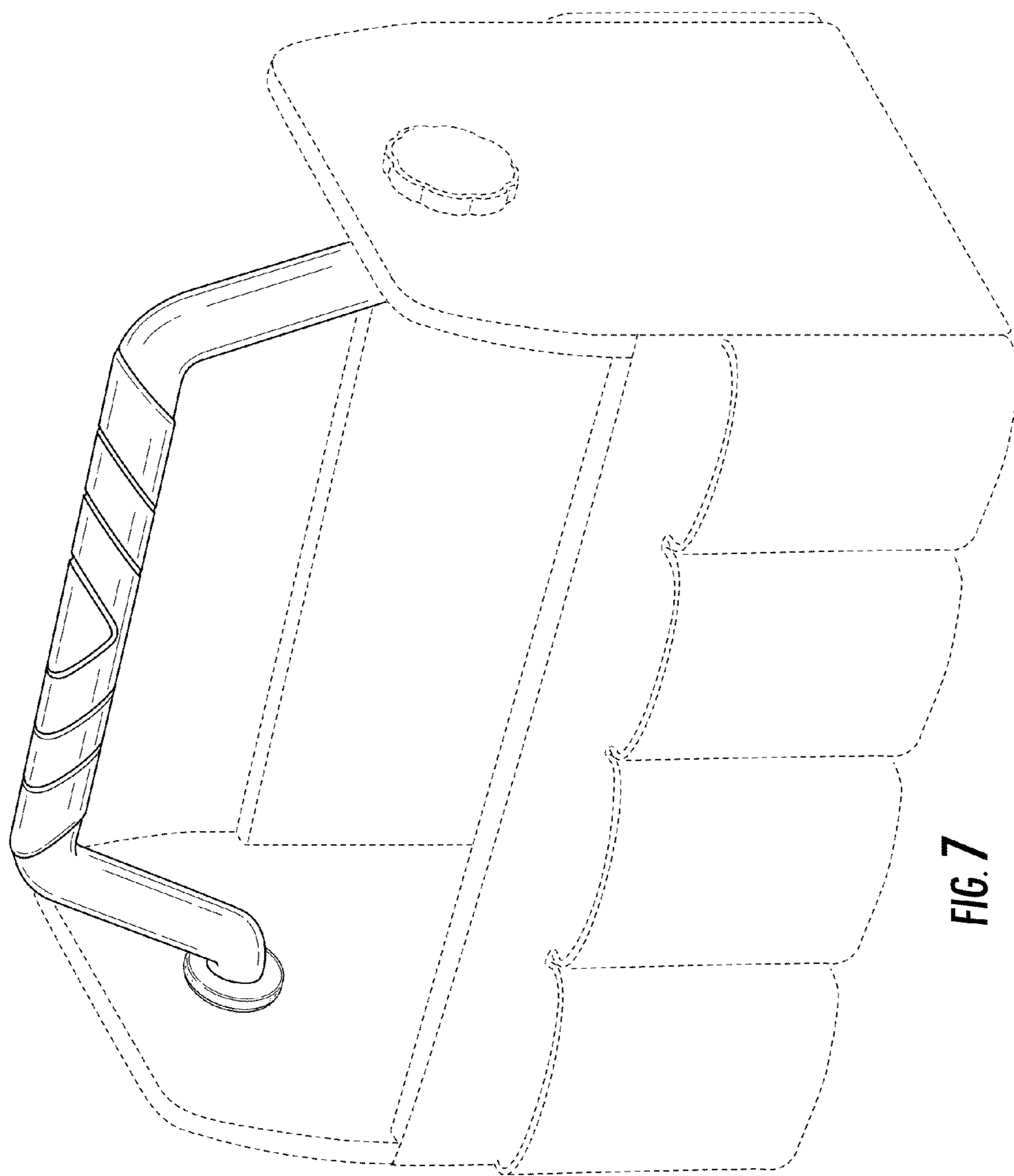


FIG. 7

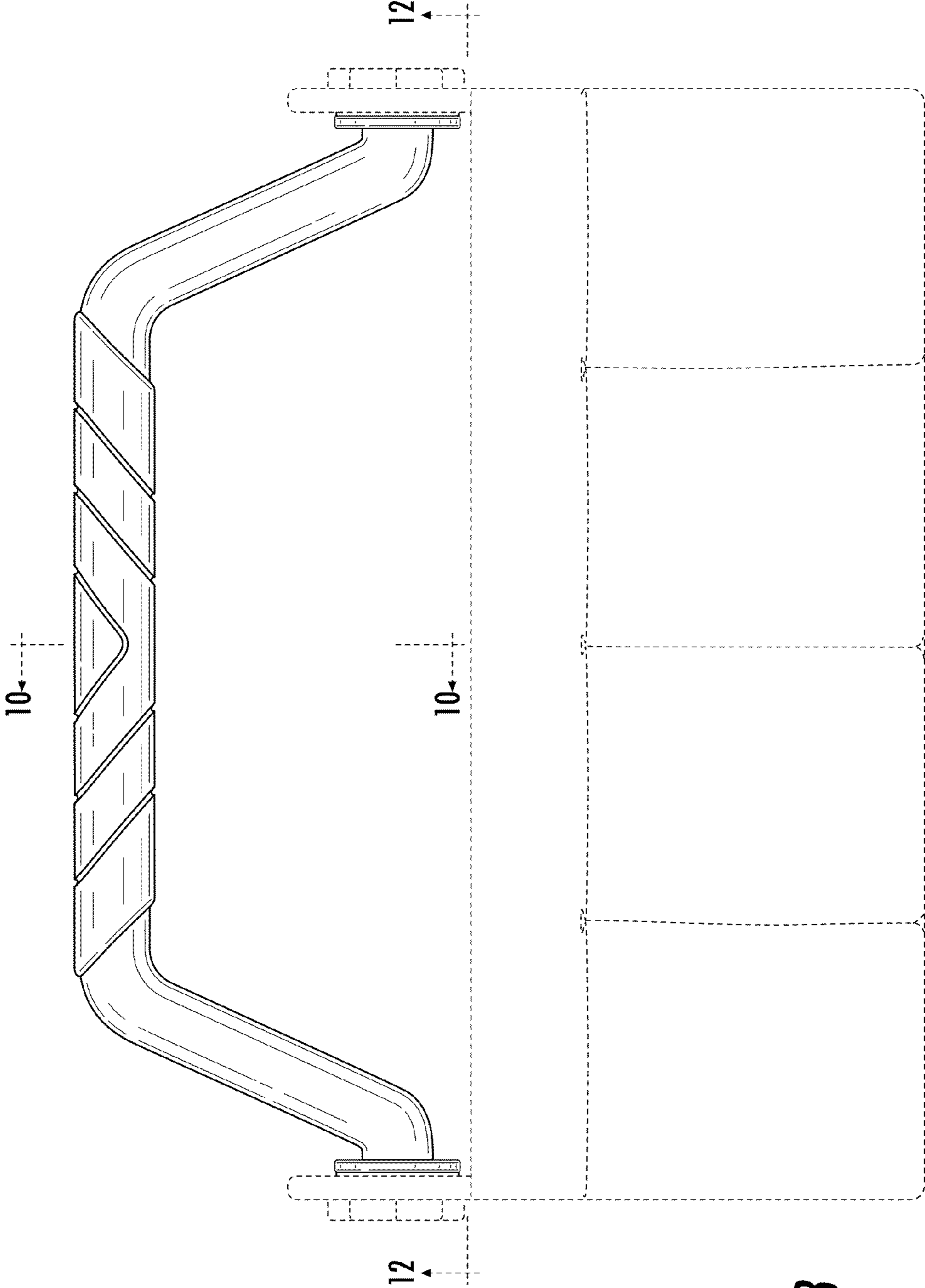


FIG. 8

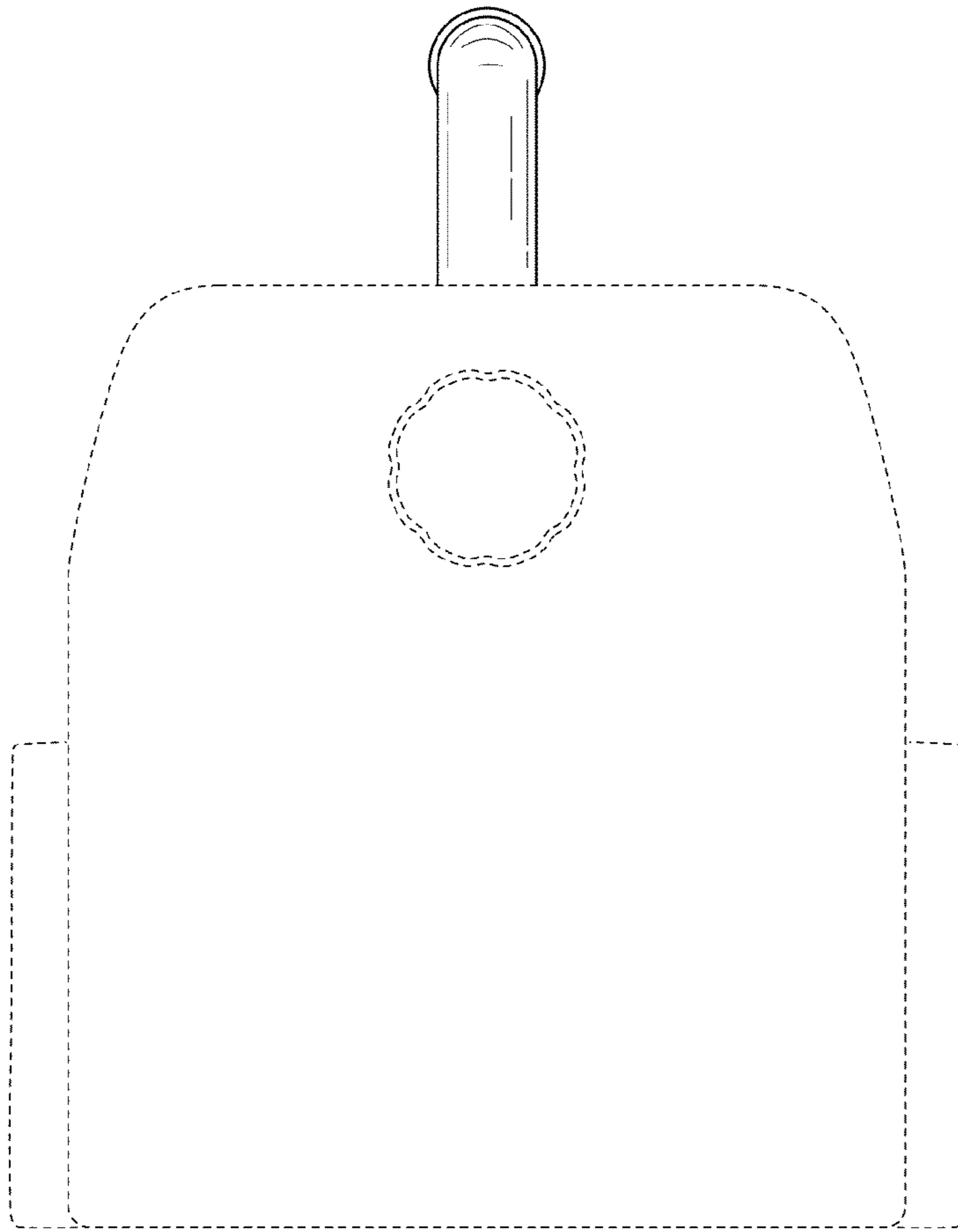


FIG. 9

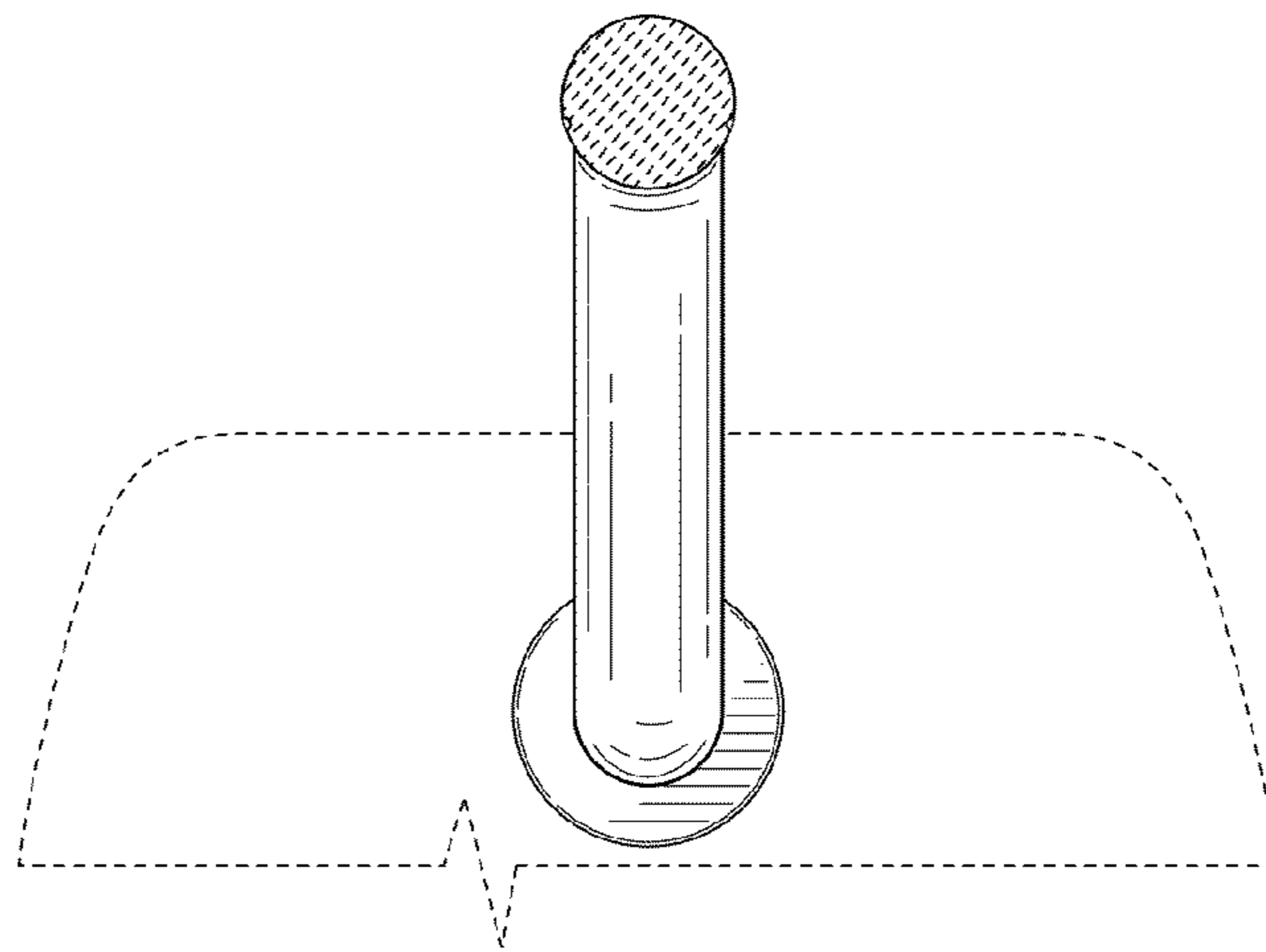


FIG. 10

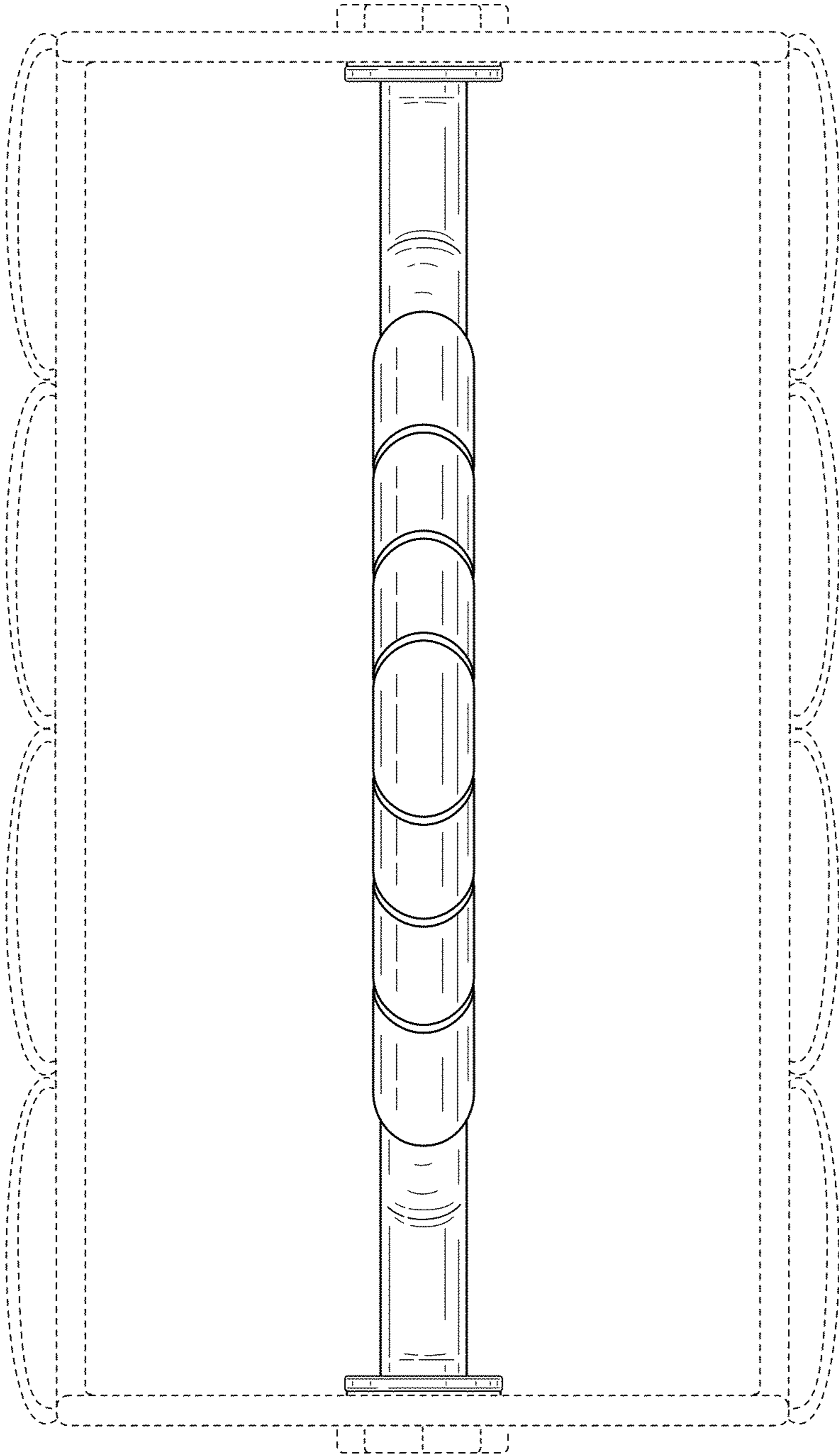


FIG. 11

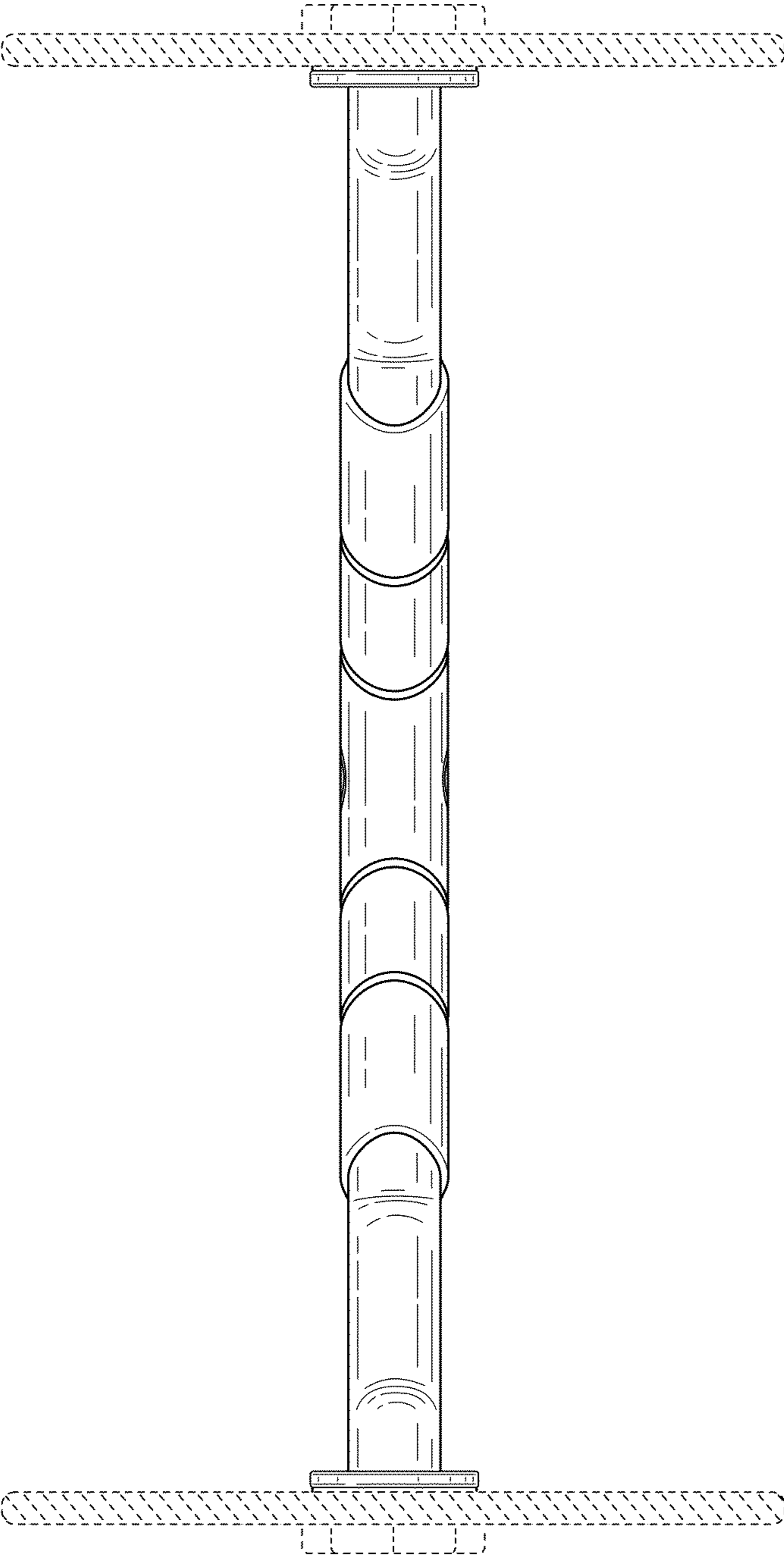


FIG. 12



FIG. 13

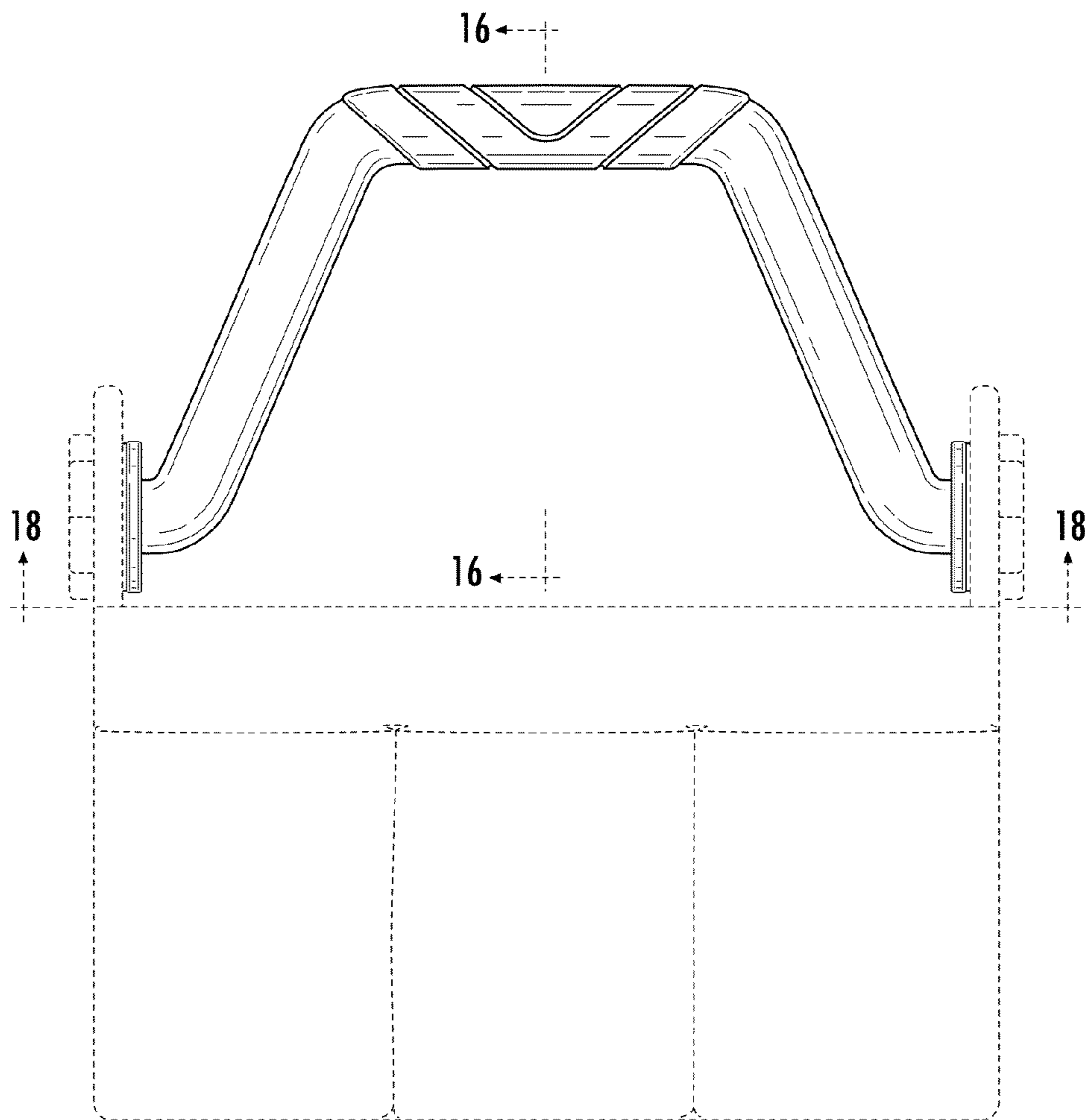


FIG. 14

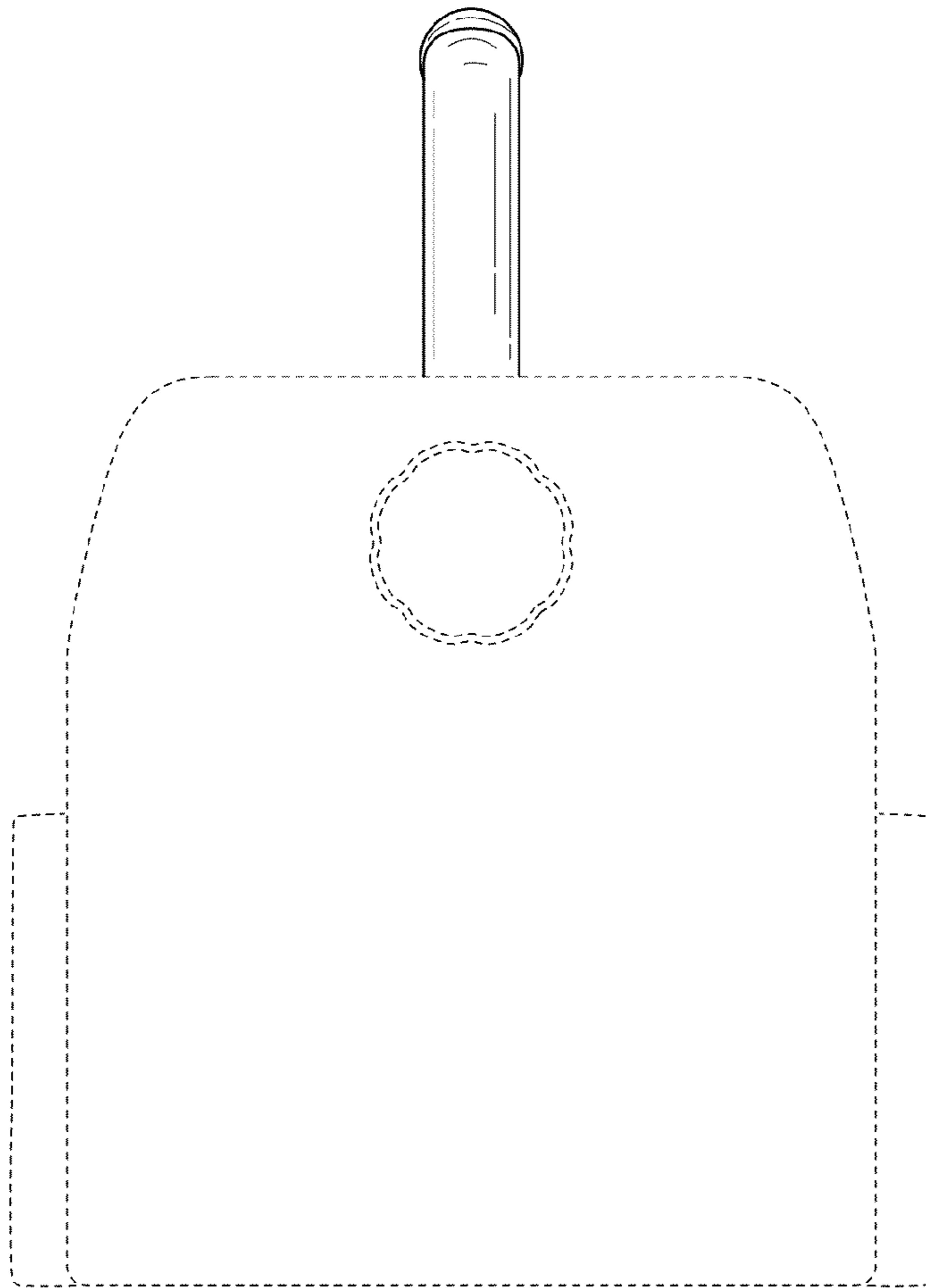


FIG. 15

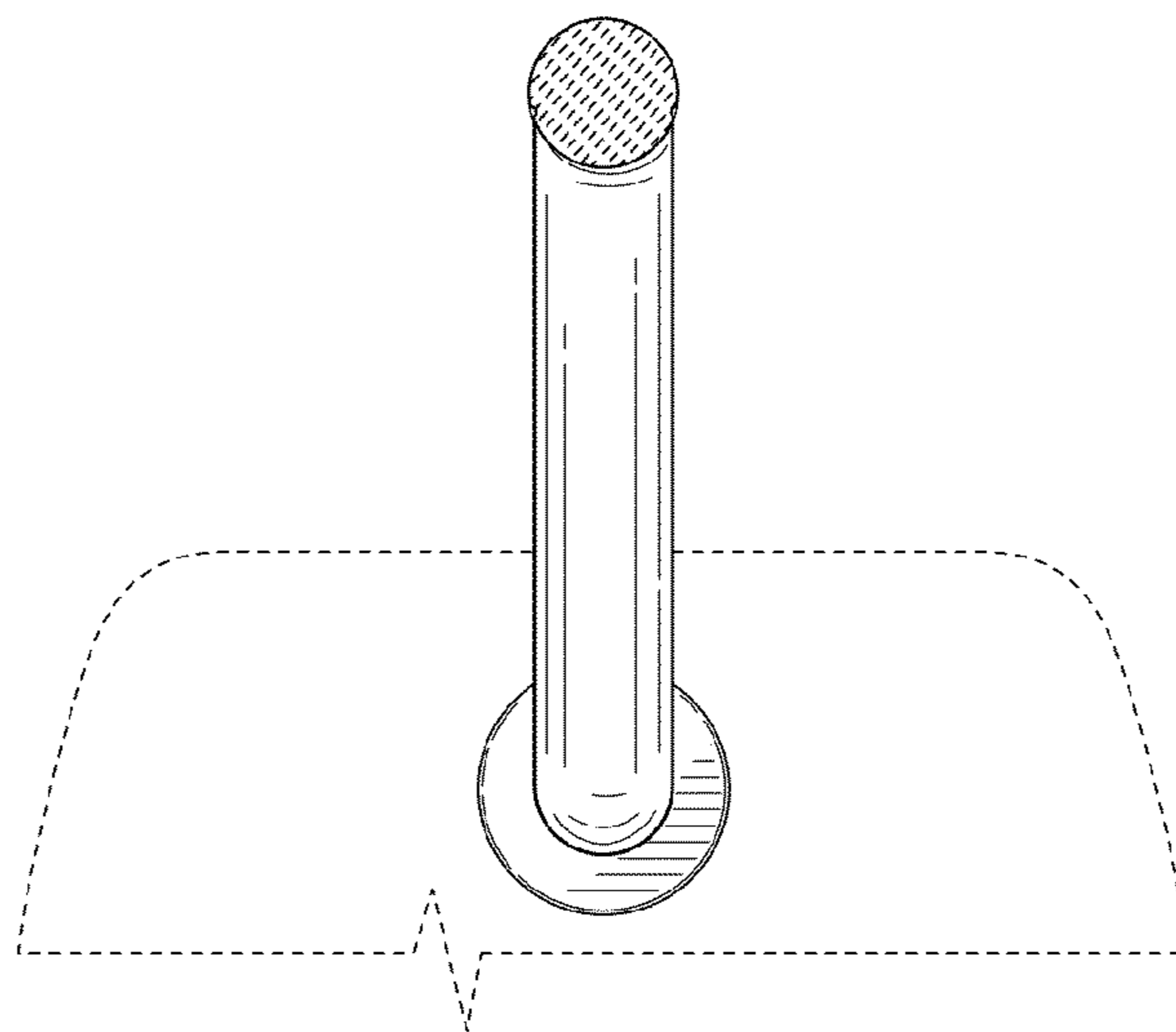


FIG. 16

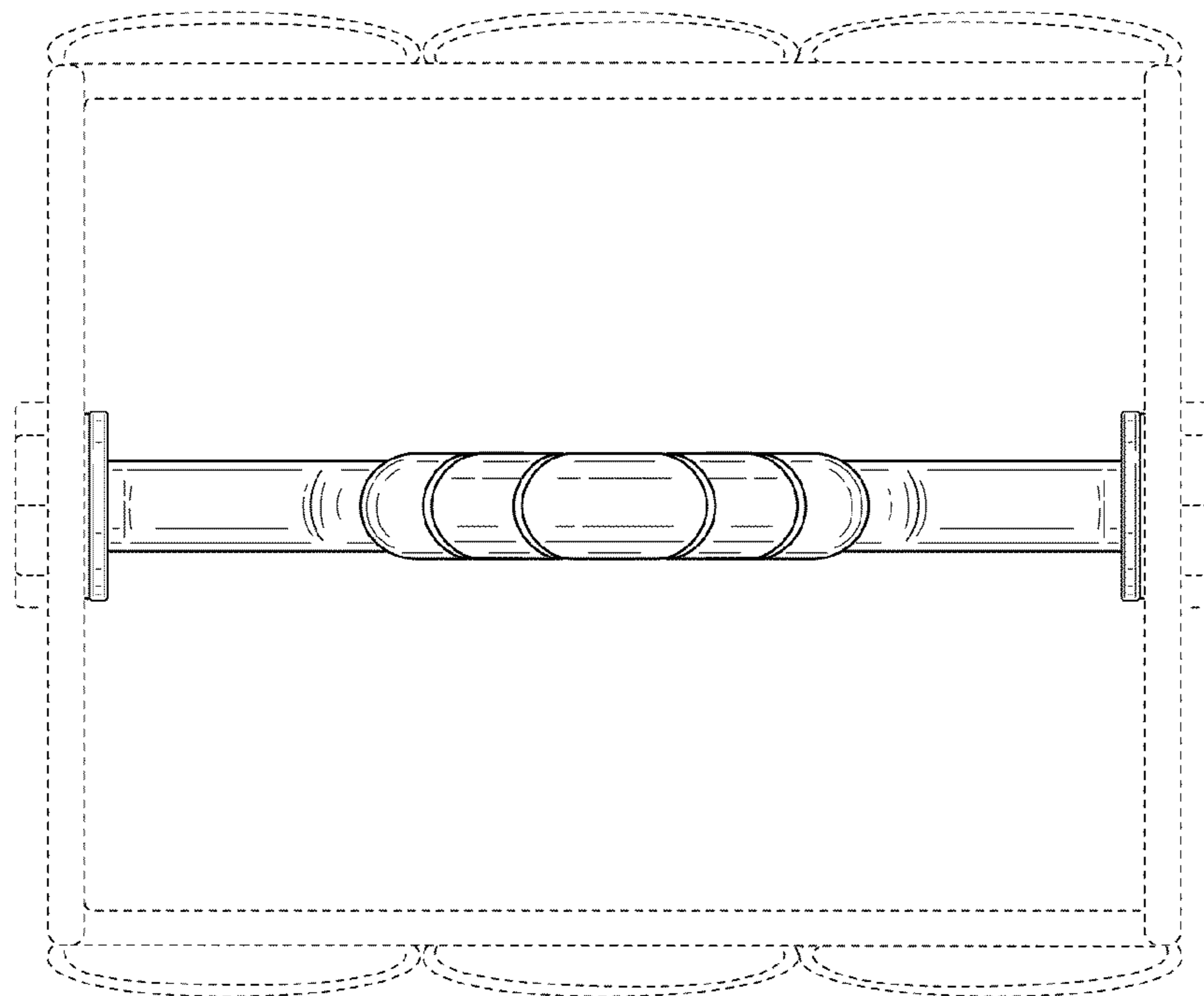


FIG. 17

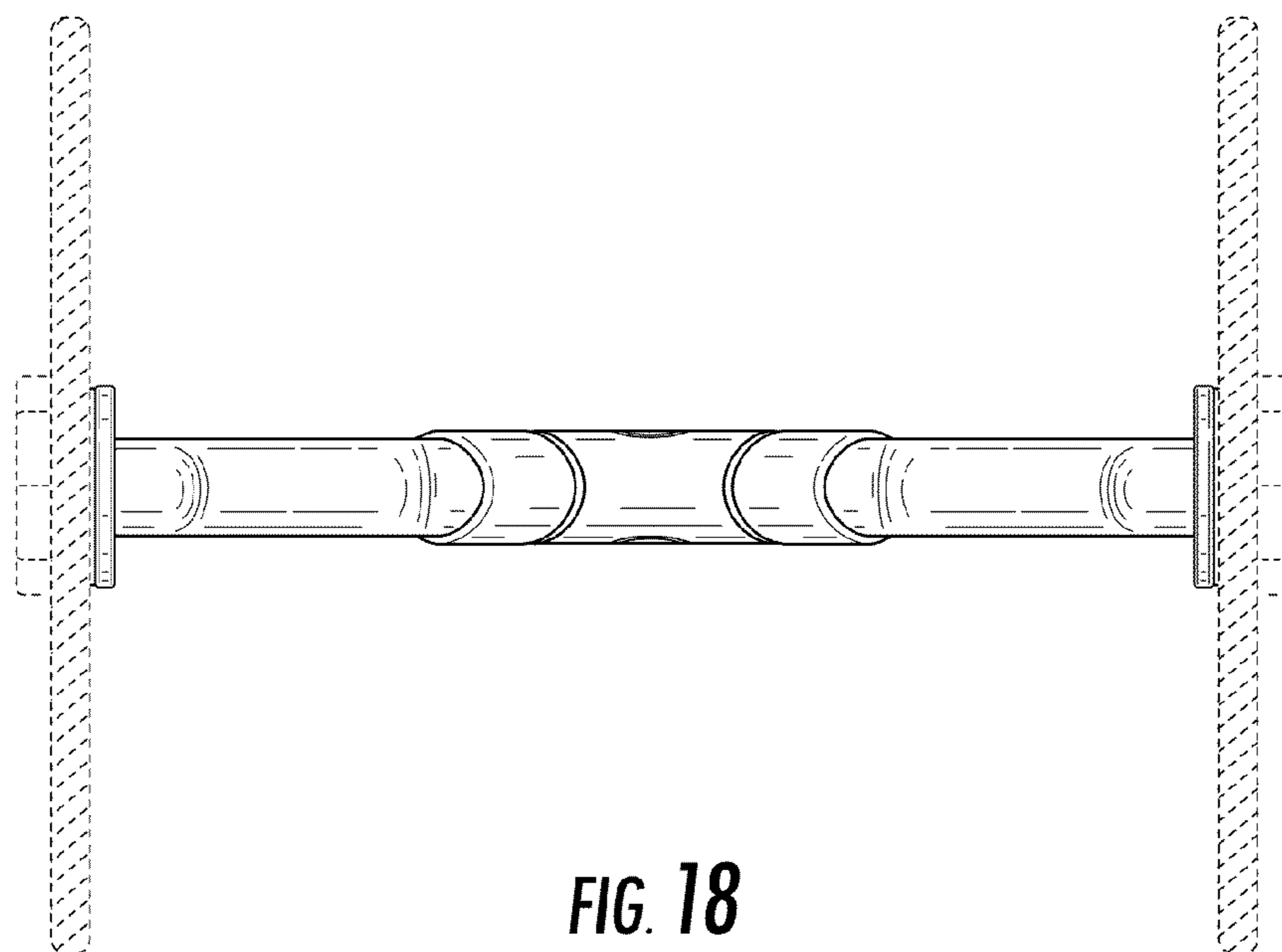


FIG. 18