



US00D722856S

(12) **United States Design Patent**  
**Shah et al.**

(10) **Patent No.:** **US D722,856 S**

(45) **Date of Patent:** **\*\* Feb. 24, 2015**

(54) **FACETED, BROAD PADDLE PUSH/PULL DOOR HANDLE**

(71) Applicant: **Architectural Builders Hardware Mfg., Inc.**, Itasca, IL (US)

(72) Inventors: **Ankit Kirti Shah**, Chicago, IL (US);  
**Kirti Shah**, South Barrington, IL (US);  
**Darryl Devine**, Huntley, IL (US)

(73) Assignee: **Architectural Builders Hardware Mfg., Inc.**, Itasca, IL (US)

(\*\*) Term: **14 Years**

(21) Appl. No.: **29/476,513**

(22) Filed: **Dec. 13, 2013**

(51) **LOC (10) Cl.** ..... **08-06**

(52) **U.S. Cl.**  
USPC ..... **D8/302; D8/308**

(58) **Field of Classification Search**  
CPC ..... E05B 85/10  
USPC ..... D8/302, 300, 301, 306, 307, 338, 341,  
D8/343; 16/110.1, 412; 292/336.3, 124,  
292/126, 113, 210, 347  
See application file for complete search history.

(56) **References Cited**

**U.S. PATENT DOCUMENTS**

D79,983	S	*	11/1929	Raymond	.....	D8/302
1,773,693	A	*	8/1930	Stirrup	.....	292/113
2,010,492	A	*	8/1935	Karre	.....	292/126
D144,234	S	*	3/1946	Blackwood	.....	D8/308
2,690,921	A	*	10/1954	Braun	.....	292/113
D181,822	S	*	12/1957	Taubman	.....	D8/308
D230,945	S		3/1974	Beckman		
4,131,002	A	*	12/1978	Gianelo	.....	70/84
4,343,501	A		8/1982	Meeks		
4,818,003	A		4/1989	Seko et al.		
4,986,583	A	*	1/1991	Campbell et al.	.....	292/336.3

D315,486	S	*	3/1991	Pierce	.....	D8/307
5,011,202	A		4/1991	Kato et al.		
D347,155	S	*	5/1994	Schlack et al.	.....	D8/331
D352,963	S	*	11/1994	Siler	.....	D19/83
5,413,391	A		5/1995	Clavin et al.		
D382,462	S	*	8/1997	Arthurs et al.	.....	D8/343
D384,570	S	*	10/1997	Edwards	.....	D8/307
5,829,801	A	*	11/1998	Tindall	.....	292/336.3
D419,053	S		1/2000	Schlack		
D424,406	S	*	5/2000	Frey	.....	D8/331
D429,903	S	*	8/2000	Iannaccone	.....	D6/337
6,109,669	A		8/2000	Pinkow		
D465,142	S		11/2002	Weinerman et al.		
D465,399	S		11/2002	Weinerman et al.		

(Continued)

*Primary Examiner* — Paula Greene

(74) *Attorney, Agent, or Firm* — Greer, Burns & Crain, Ltd.

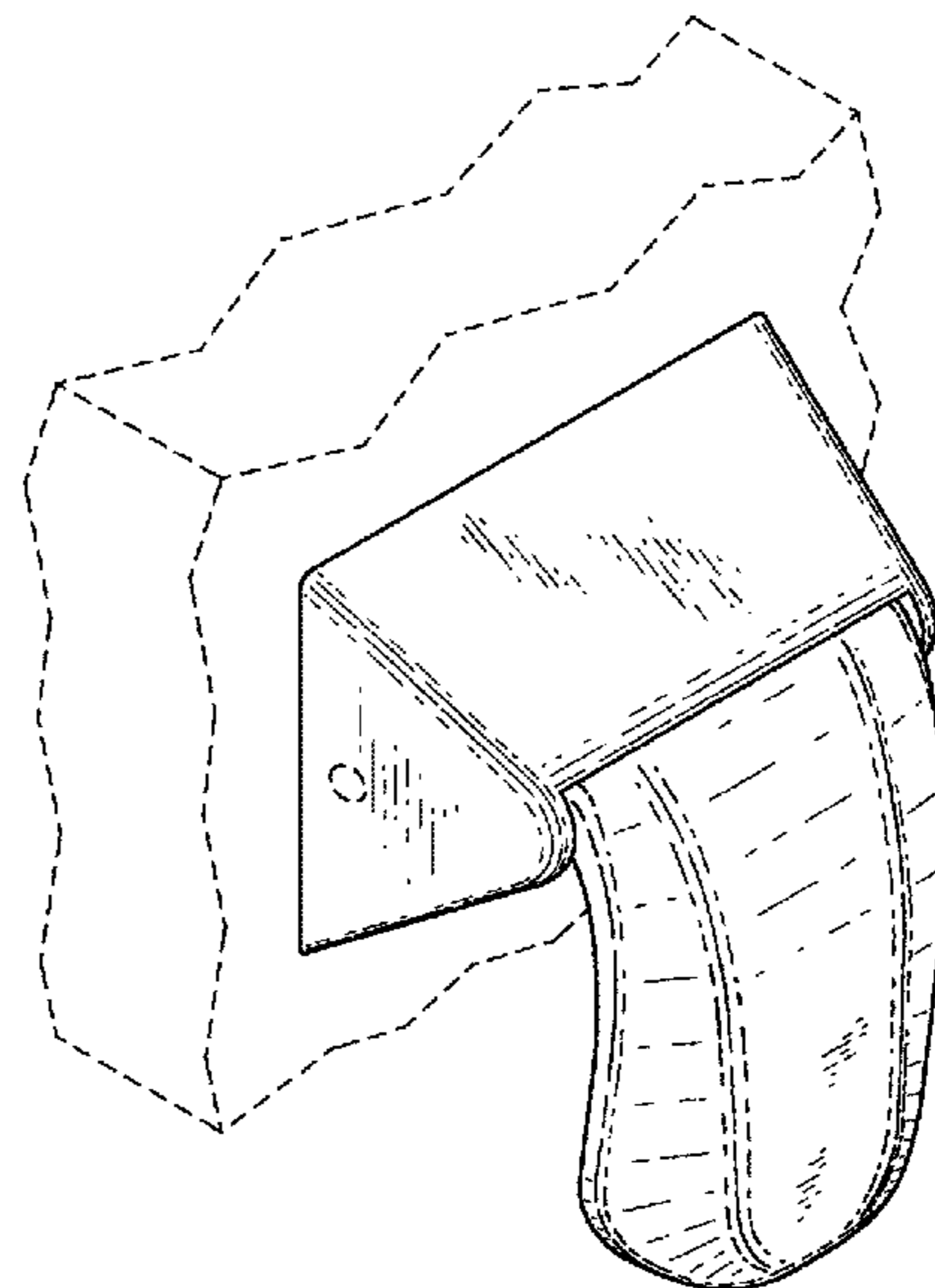
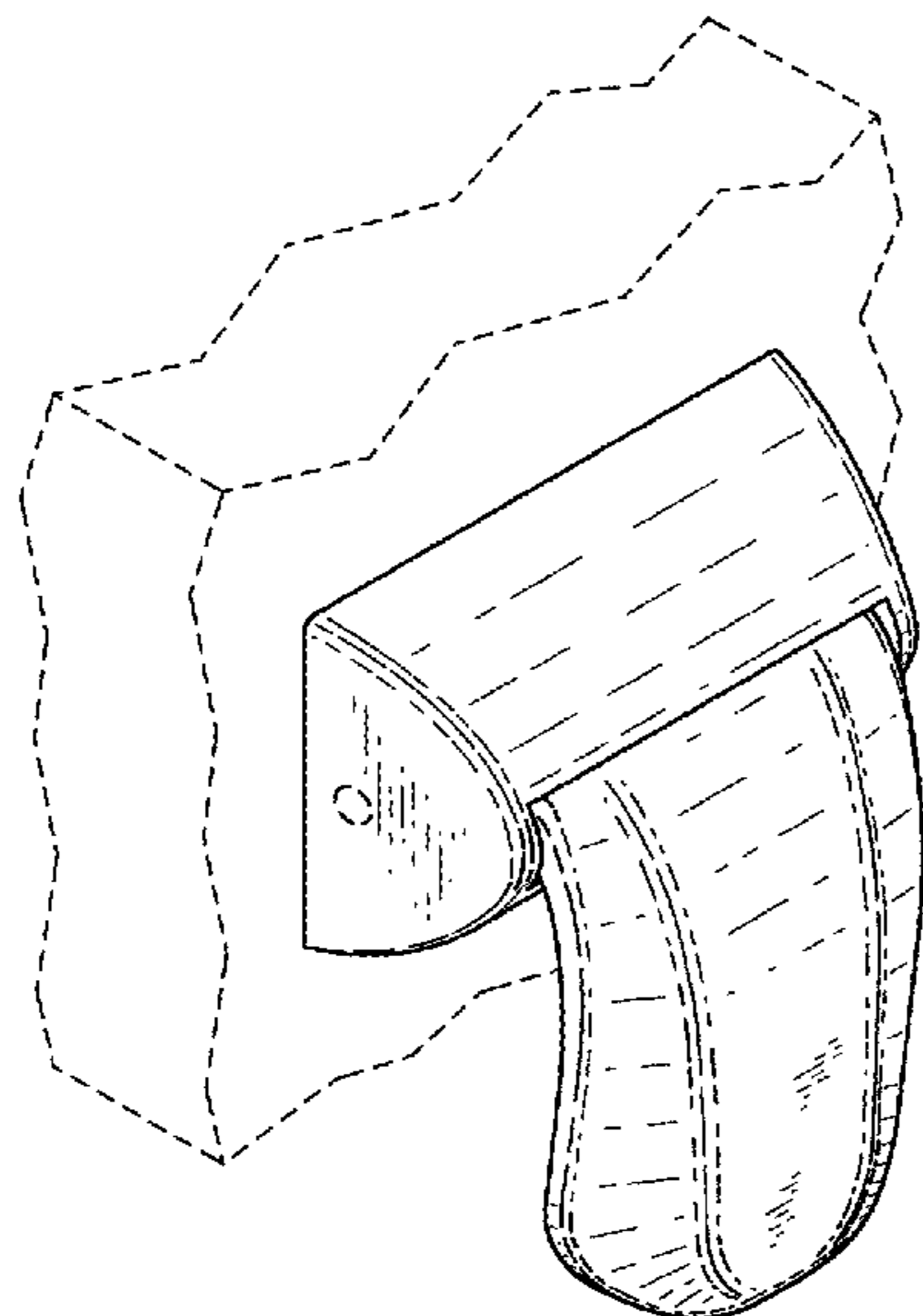
(57) **CLAIM**

The ornamental design for a faceted broad paddle push/pull door handle, as shown and described.

**DESCRIPTION**

FIG. 1 is a top perspective view of the present faceted, broad paddle push/pull door handle;  
 FIG. 2 is a front view of the present handle;  
 FIG. 3 is a right side view of same, the left side being a mirror image;  
 FIG. 4 is a top view of the present handle;  
 FIG. 5 is a bottom view of same;  
 FIG. 6 is a top perspective view of another embodiment of the present faceted, broad paddle push/pull door handle;  
 FIG. 7 is a front view of the handle of FIG. 6;  
 FIG. 8 is a right side view of same, the left side being a mirror image;  
 FIG. 9 is a top view of the handle of FIG. 6; and,  
 FIG. 10 is a bottom view of same.  
 The structure shown in broken lines is for environment purposes only and does not form part of the claimed invention.

**1 Claim, 4 Drawing Sheets**



(56)

**References Cited**

U.S. PATENT DOCUMENTS

D466,392 S \* 12/2002 Halajko ..... D8/306  
D502,380 S 3/2005 Misner et al.  
D505,310 S 5/2005 Lorusso  
D521,352 S \* 5/2006 Gist ..... D8/306  
D533,045 S 12/2006 Schroth  
D537,321 S 2/2007 Paige et al.  
D541,129 S 4/2007 Helton et al.

D577,984 S 10/2008 Samhammer et al.  
D630,488 S 1/2011 Tieu et al.  
D635,439 S 4/2011 Barton  
D643,278 S 8/2011 Fidali et al.  
D645,331 S 9/2011 Lin  
D646,548 S 10/2011 Mussi et al.  
D646,549 S 10/2011 Mussi et al.  
D677,553 S 3/2013 Shah et al.  
D682,068 S \* 5/2013 Pulford et al. .... D8/303  
D700,039 S \* 2/2014 Kim et al. .... D8/331

\* cited by examiner

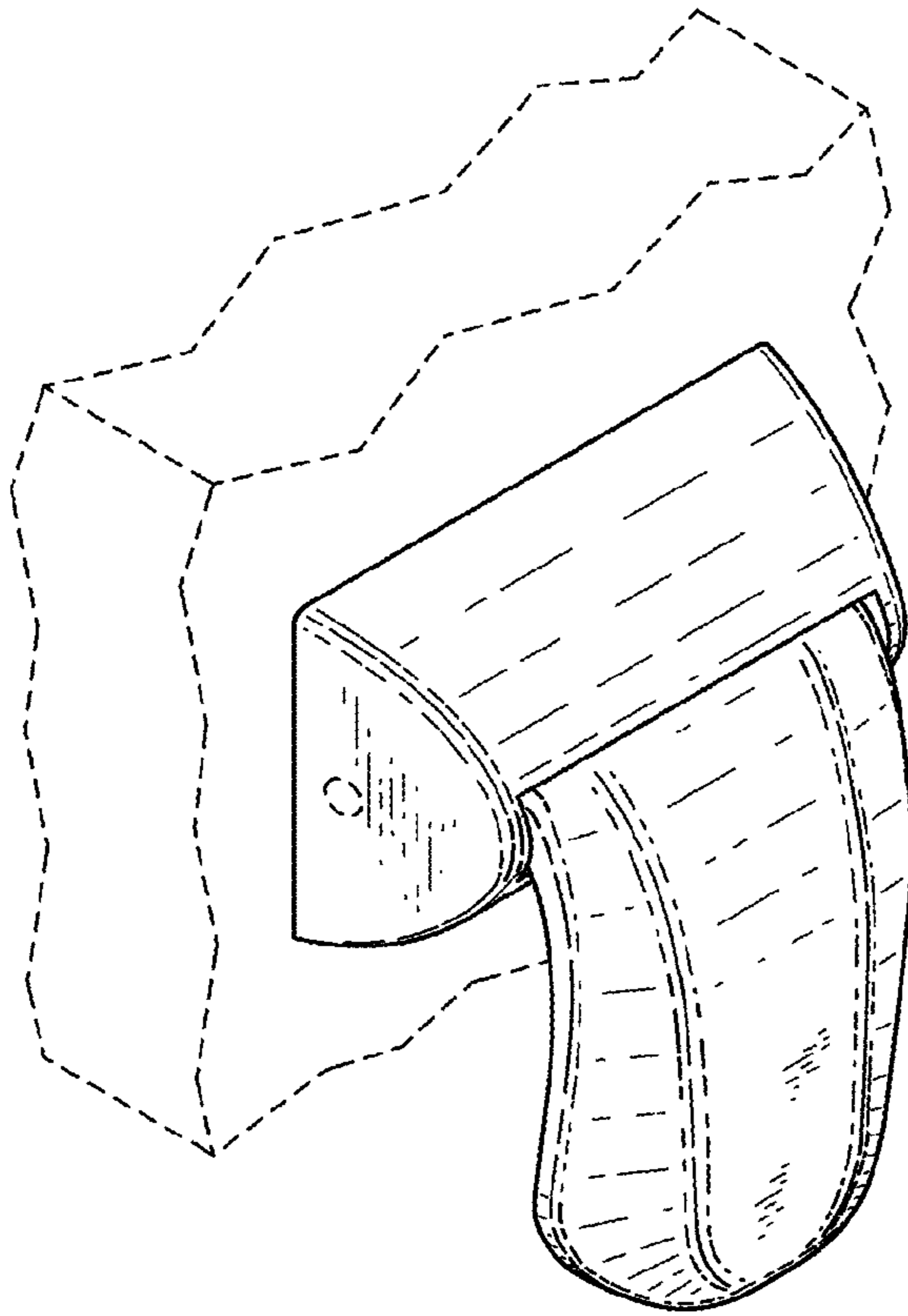


Fig.1

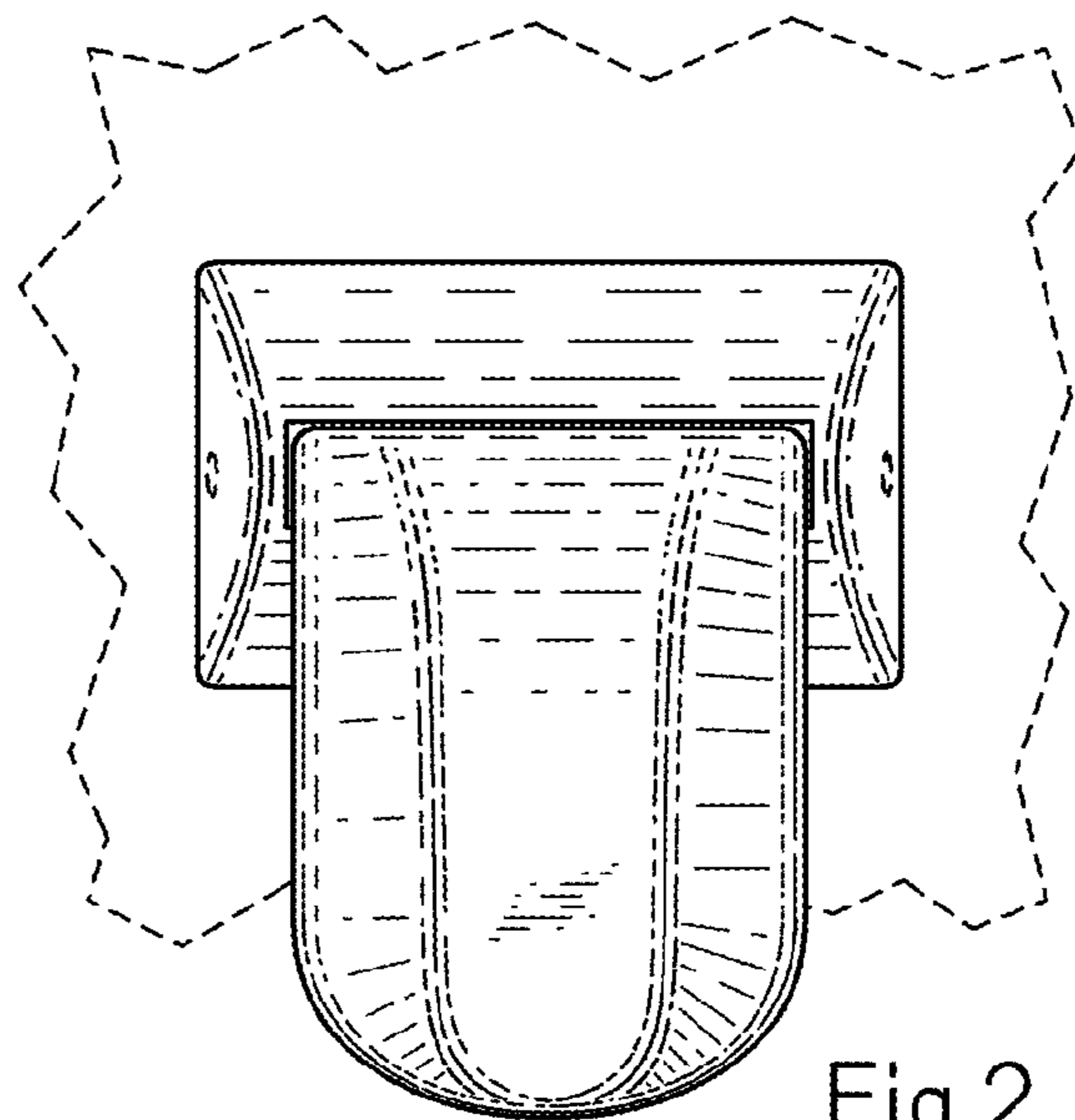


Fig.2

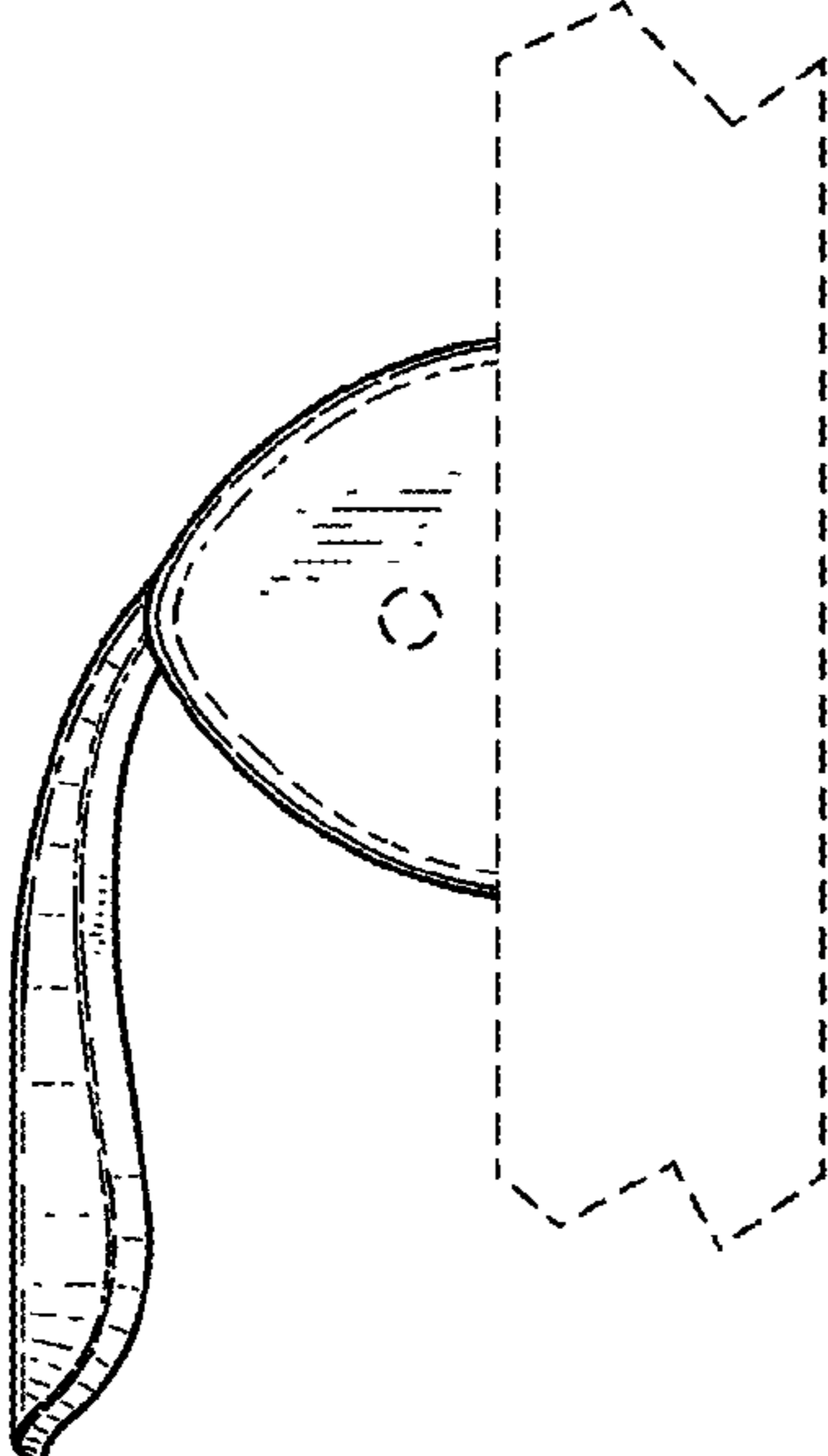


Fig.3

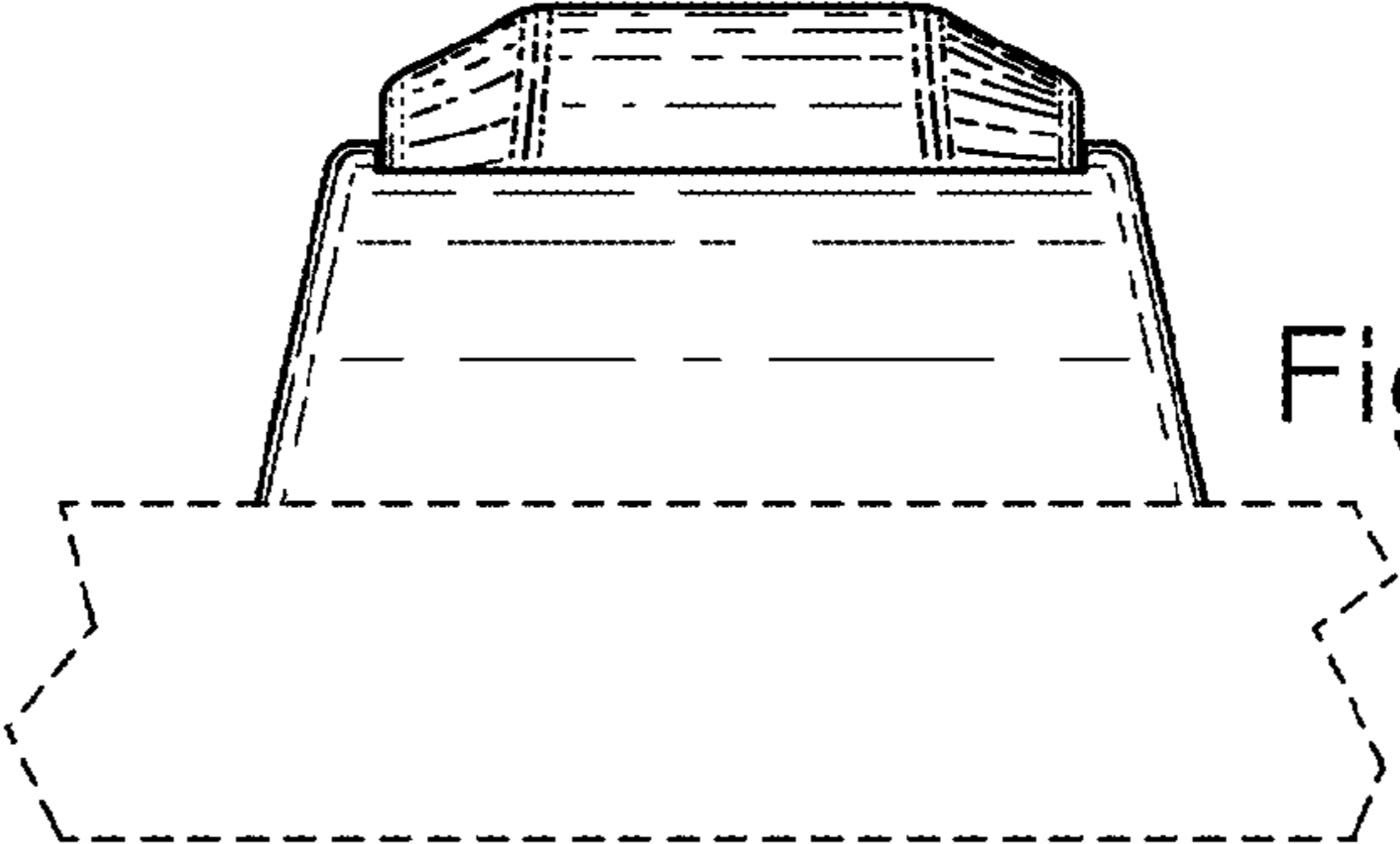


Fig.4

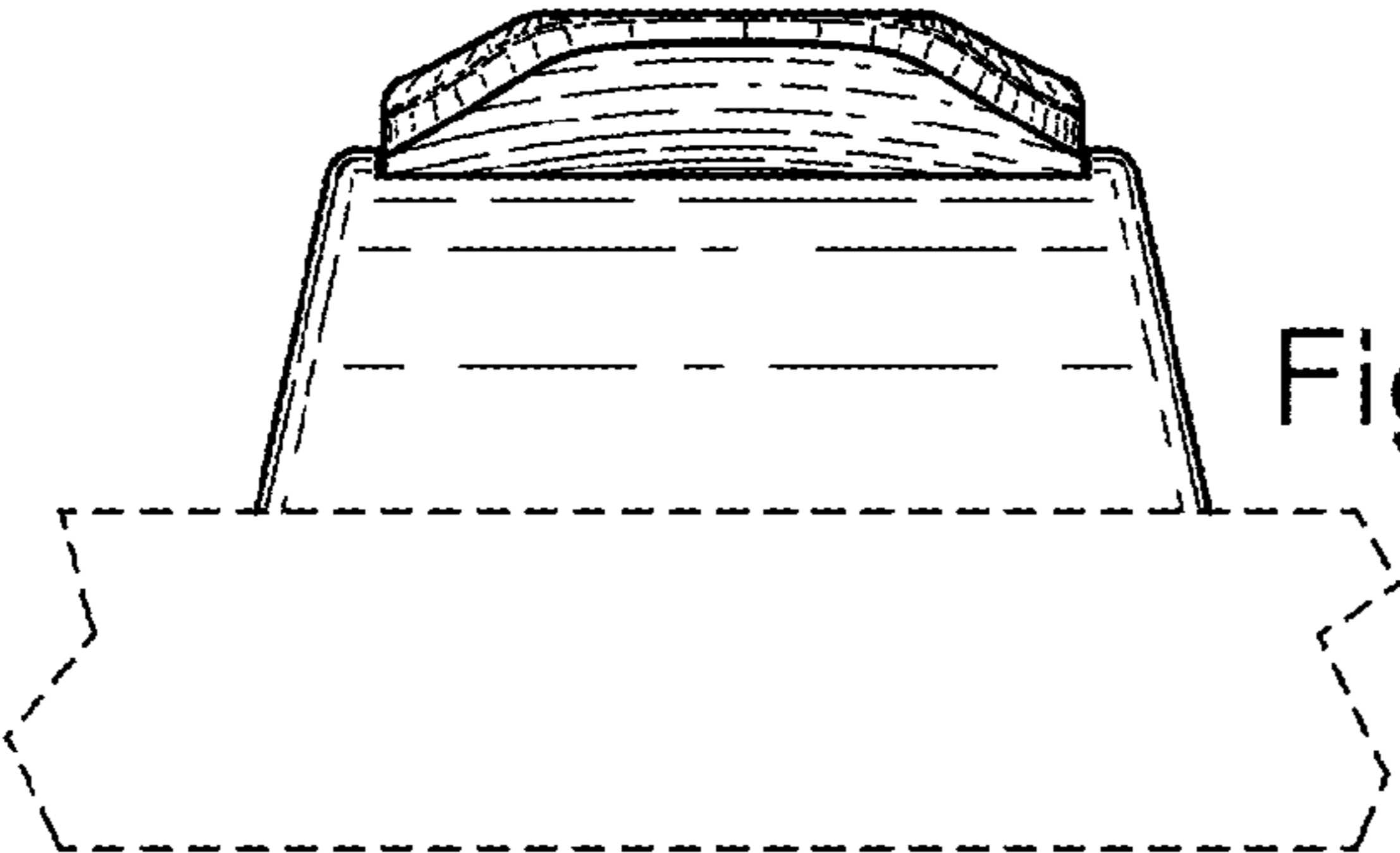


Fig.5

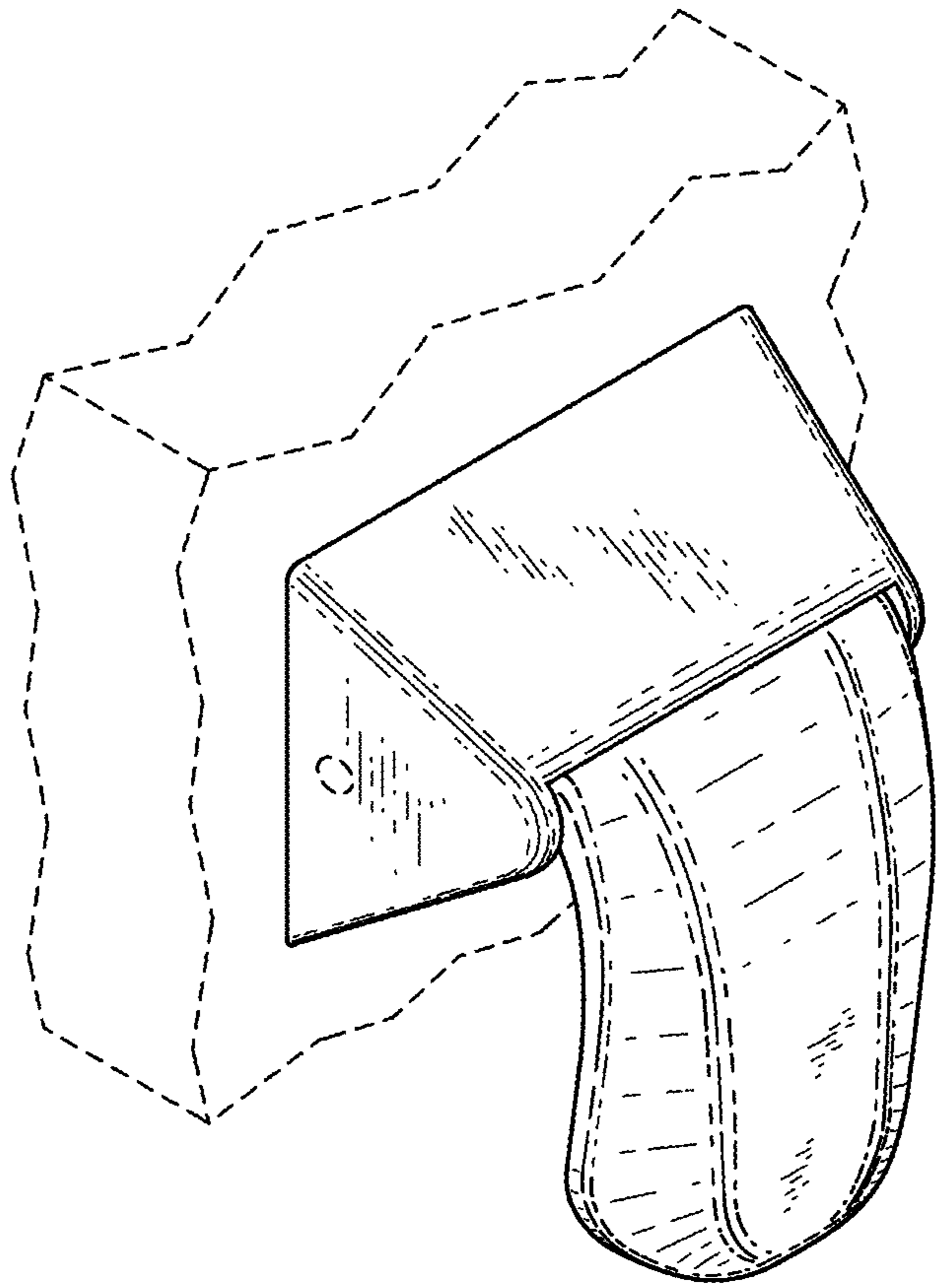


Fig. 6

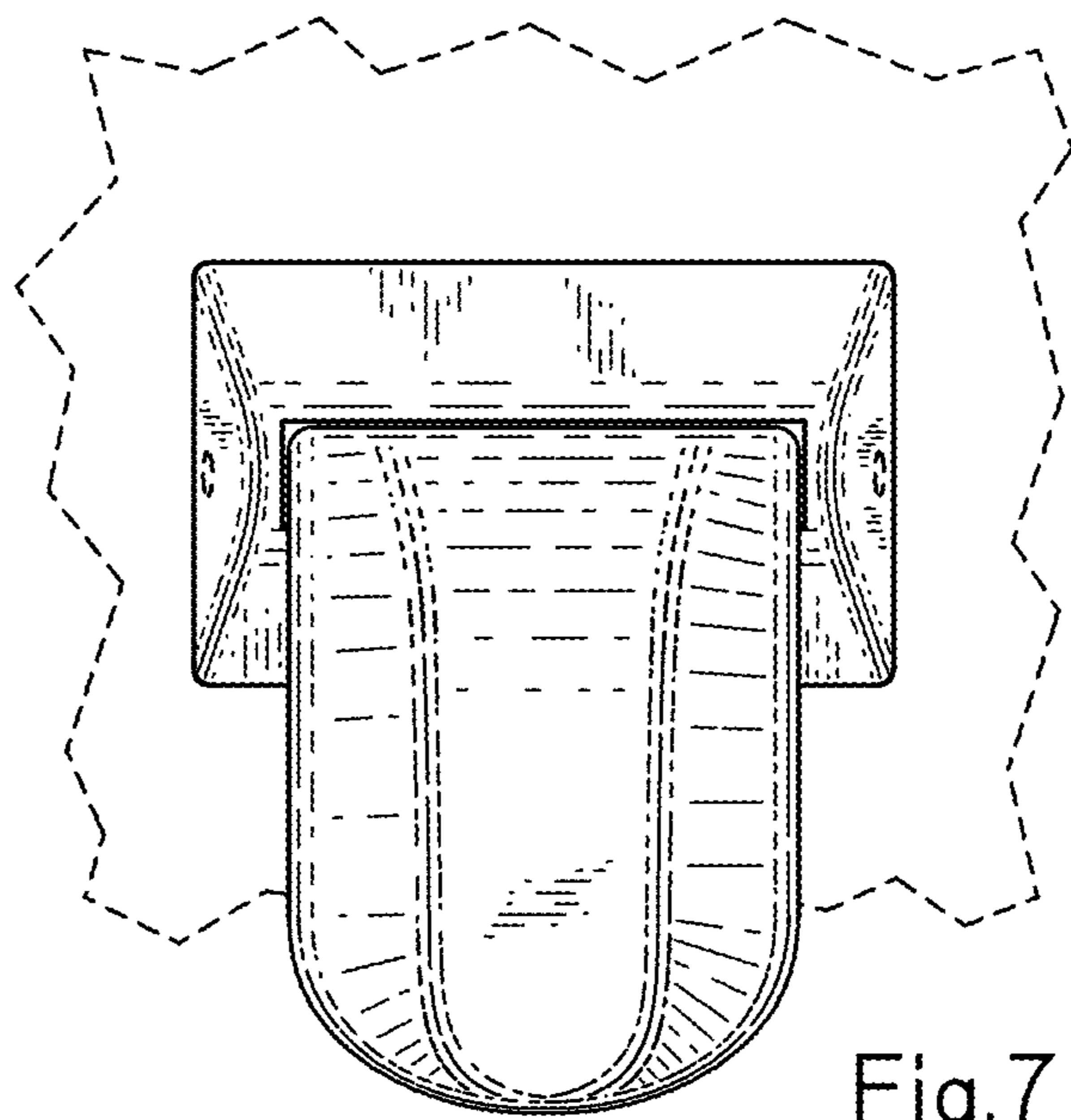


Fig. 7

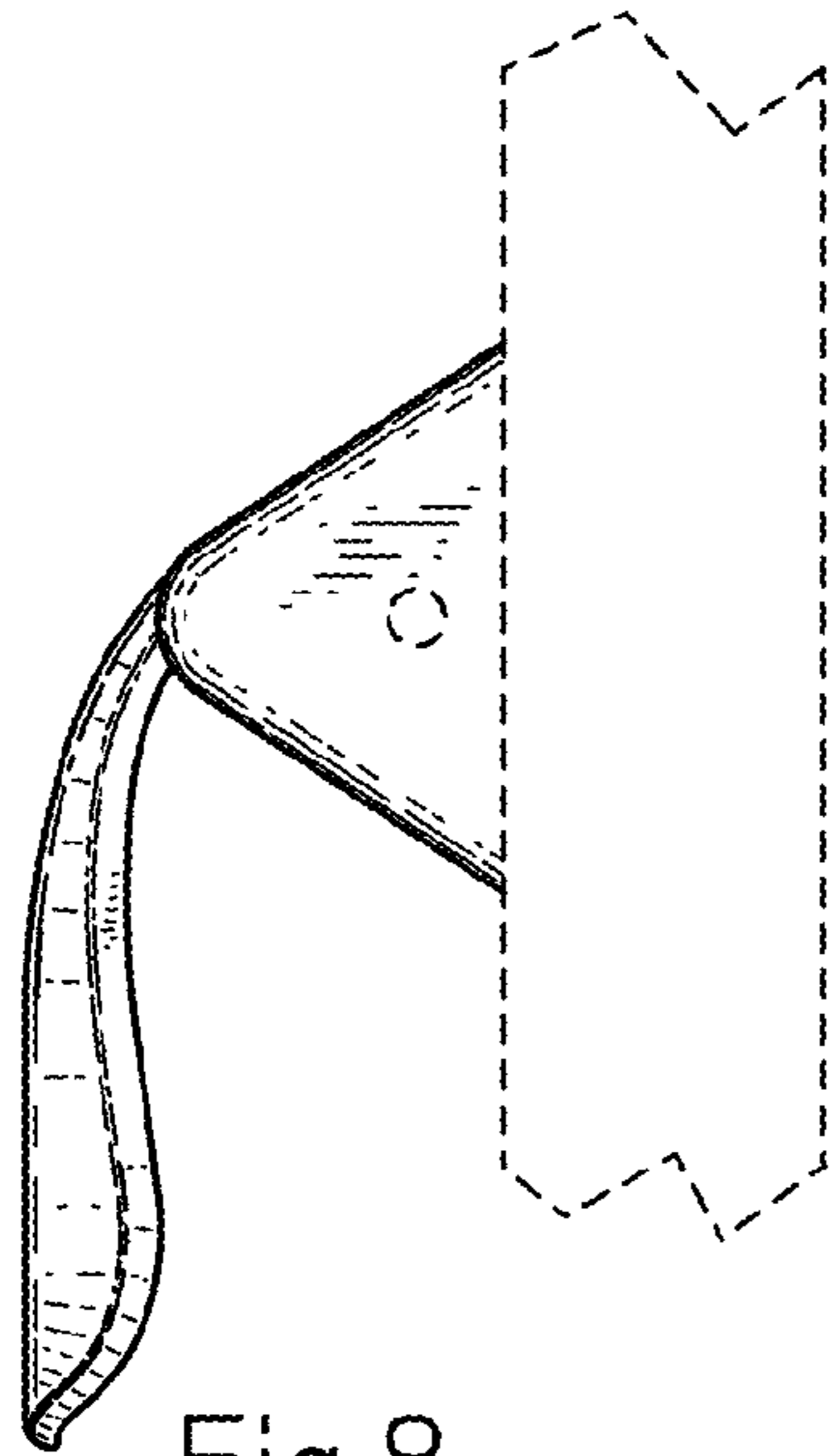


Fig. 8

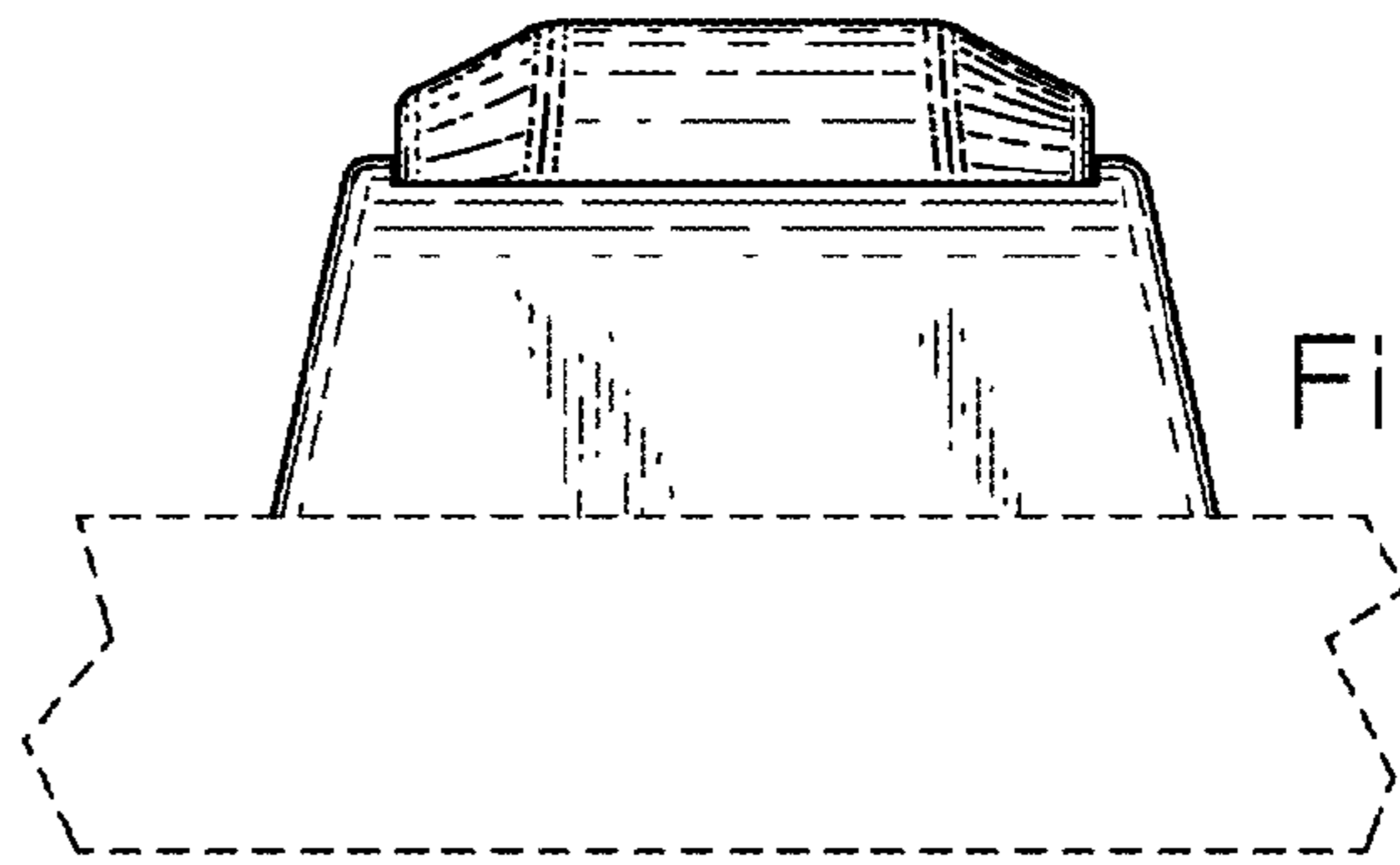


Fig. 9

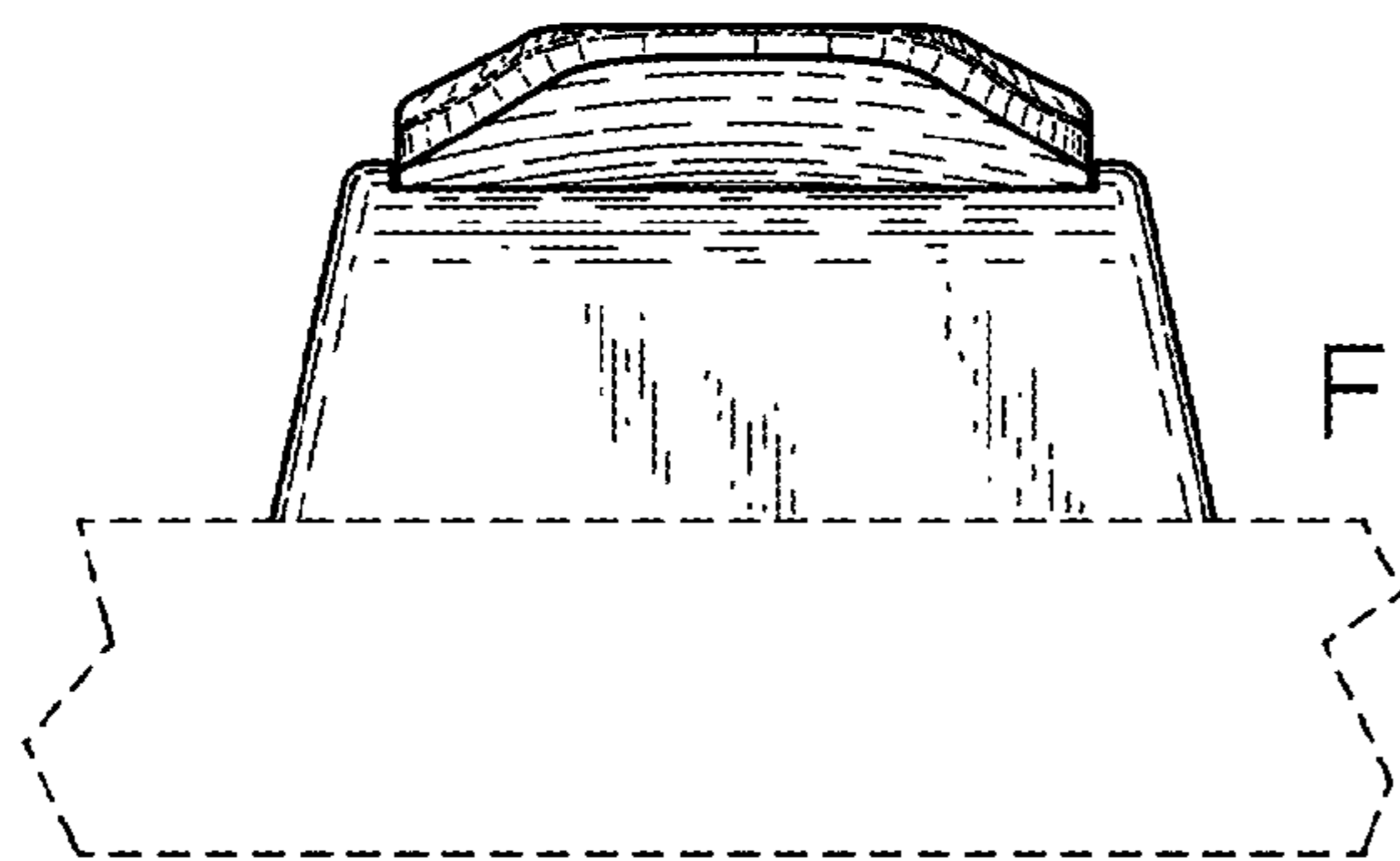


Fig. 10