



US00D722855S

(12) **United States Design Patent**
Shah et al.

(10) **Patent No.:** **US D722,855 S**
(45) **Date of Patent:** **** Feb. 24, 2015**

(54) **FACETED PUSH/PULL DOOR HANDLE**

(71) Applicant: **Architectural Builders Hardware Mfg., Inc.**, Itasca, IL (US)

(72) Inventors: **Ankit Kirti Shah**, Chicago, IL (US);
Kirti Shah, South Barrington, IL (US);
Darryl Devine, Huntley, IL (US)

(73) Assignee: **Architectural Builders Hardware Mfg., Inc.**, Itasca, IL (US)

(**) Term: **14 Years**

(21) Appl. No.: **29/475,919**

(22) Filed: **Dec. 9, 2013**

(51) **LOC (10) Cl.** **08-06**

(52) **U.S. Cl.**
USPC **D8/302; D8/307**

(58) **Field of Classification Search**
CPC E05B 85/10
USPC D8/302, 300, 301, 306, 307, 338, 341,
D8/343; 16/110.1, 412; 292/336.3, 124,
292/126, 113, 210, 347
See application file for complete search history.

(56) **References Cited**

U.S. PATENT DOCUMENTS

D79,983	S	*	11/1929	Raymond	D8/302
1,773,693	A	*	8/1930	Stirrup	292/113
2,010,492	A	*	8/1935	Karre	292/126
D144,234	S	*	3/1946	Blackwood	D8/308
D181,822	S	*	12/1957	Taubman	D8/308
D230,945	S		3/1974	Beckman		
4,131,002	A	*	12/1978	Gianelo	70/84
4,343,501	A		8/1982	Meeks		
4,818,003	A		4/1989	Seko et al.		
4,986,583	A	*	1/1991	Campbell et al.	292/336.3
D315,486	S	*	3/1991	Pierce	D8/307
5,011,202	A		4/1991	Kato et al.		

D347,155	S	*	5/1994	Schlack et al.	D8/331
5,413,391	A		5/1995	Clavin et al.		
D382,462	S	*	8/1997	Arthurs et al.	D8/343
D384,570	S	*	10/1997	Edwards	D8/307
D419,053	S		1/2000	Schlack		
D423,903	S	*	5/2000	Keller	D8/314
D424,406	S	*	5/2000	Frey	D8/331
6,109,669	A		8/2000	Pinkow		
D465,142	S		11/2002	Weinerman et al.		
D465,399	S		11/2002	Weinerman et al.		
D466,392	S	*	12/2002	Halajko	D8/306
D502,380	S		3/2005	Misner et al.		
D505,310	S		5/2005	Lorusso		
D521,352	S	*	5/2006	Gist	D8/306

(Continued)

Primary Examiner — Paula Greene

(74) *Attorney, Agent, or Firm* — Greer, Burns & Crain, Ltd.

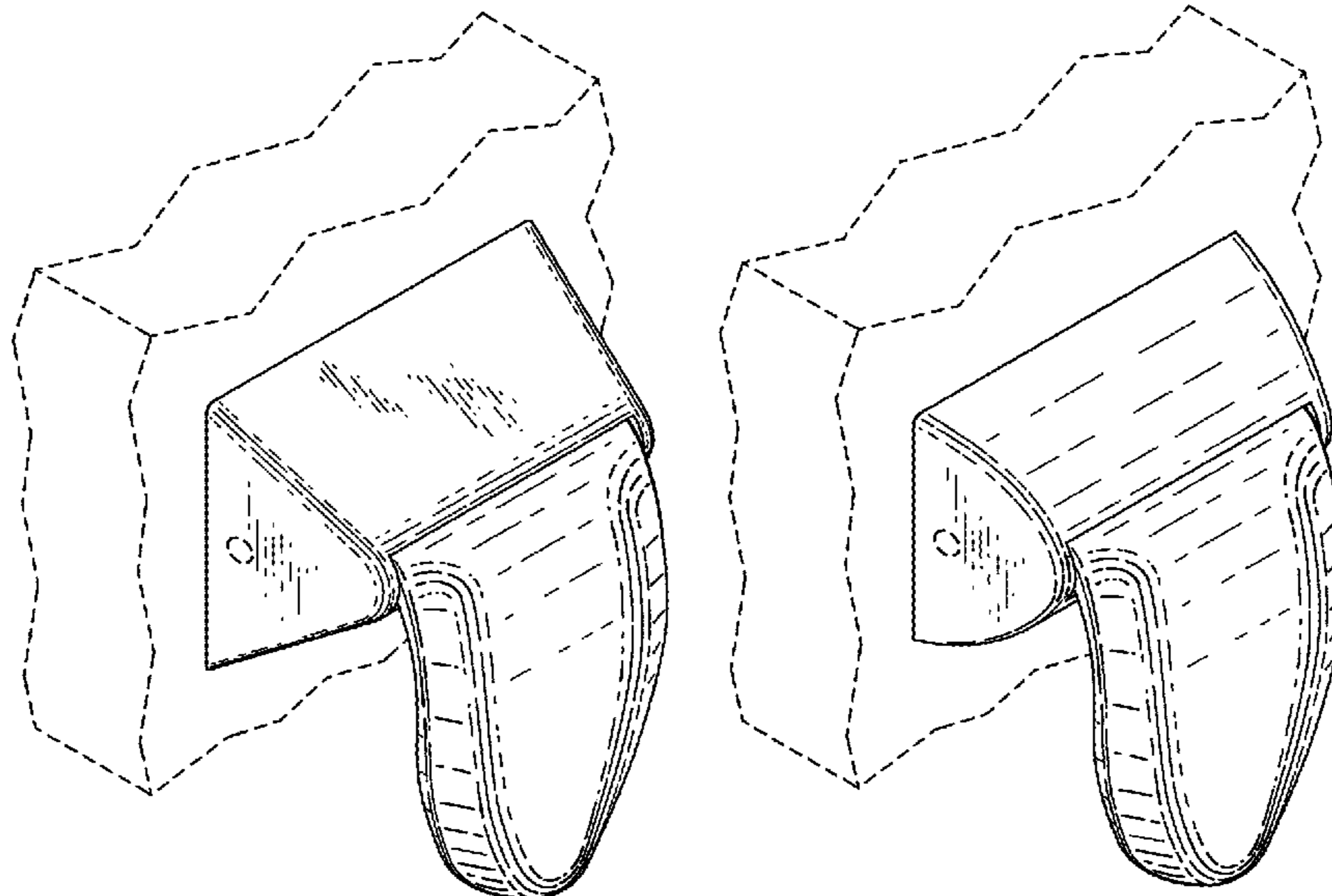
(57) **CLAIM**

The ornamental design for a faceted push/pull door handle, as shown and described.

DESCRIPTION

FIG. 1 is a top perspective view of the present faceted push/pull door handle;
 FIG. 2 is a front view of the present handle;
 FIG. 3 is a right side view of same, the left side being a mirror image;
 FIG. 4 is a top view of the present handle;
 FIG. 5 is a bottom view of same;
 FIG. 6 is a top perspective view of another embodiment of the present faceted push/pull door handle;
 FIG. 7 is a front view of the handle of FIG. 6;
 FIG. 8 is a right side view of same, the left side being a mirror image;
 FIG. 9 is a top view of the handle of FIG. 6; and,
 FIG. 10 is a bottom view of same. The structure shown in broken lines is for environment purposes only and does not form part of the claimed invention.

1 Claim, 4 Drawing Sheets



(56)

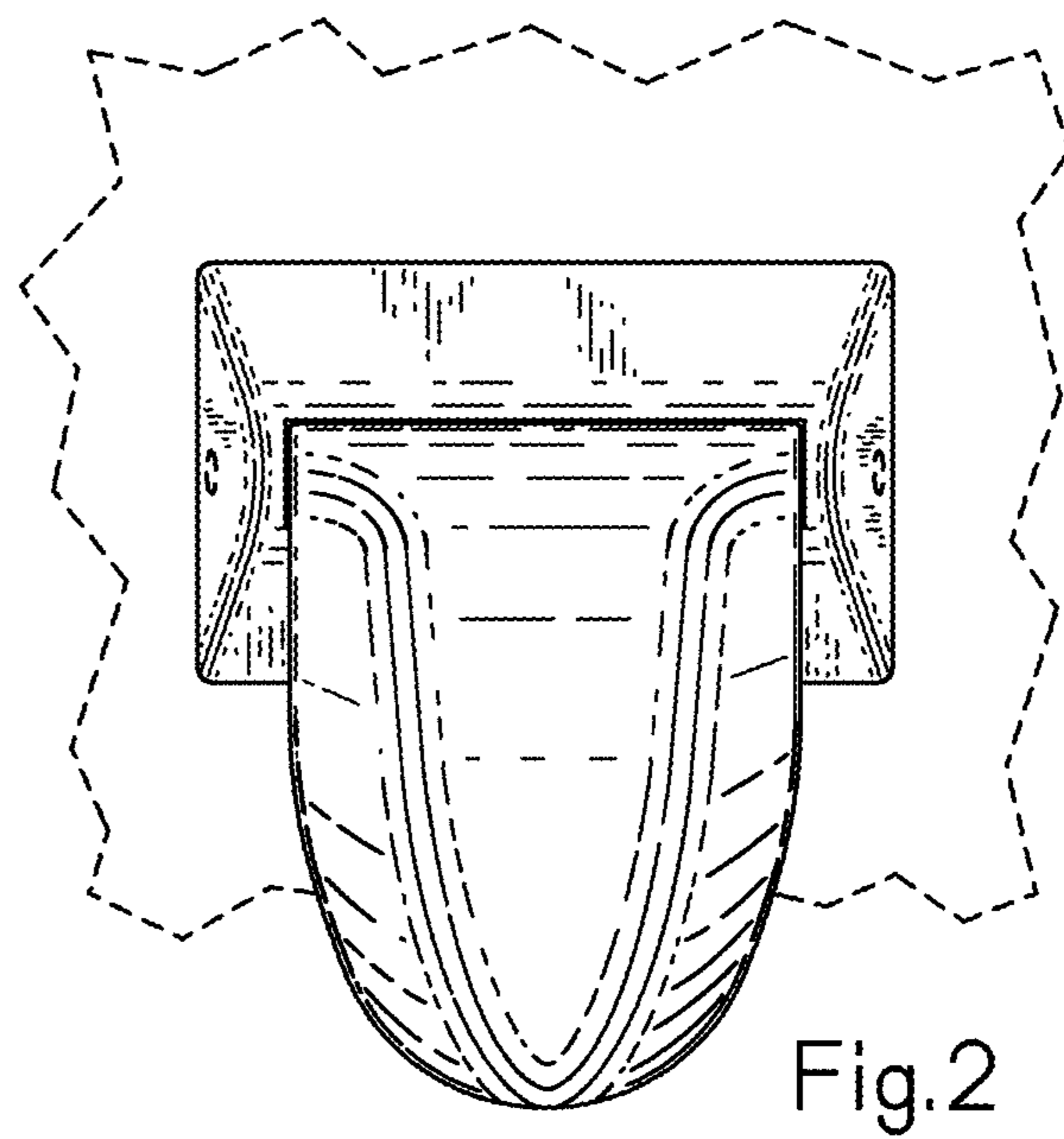
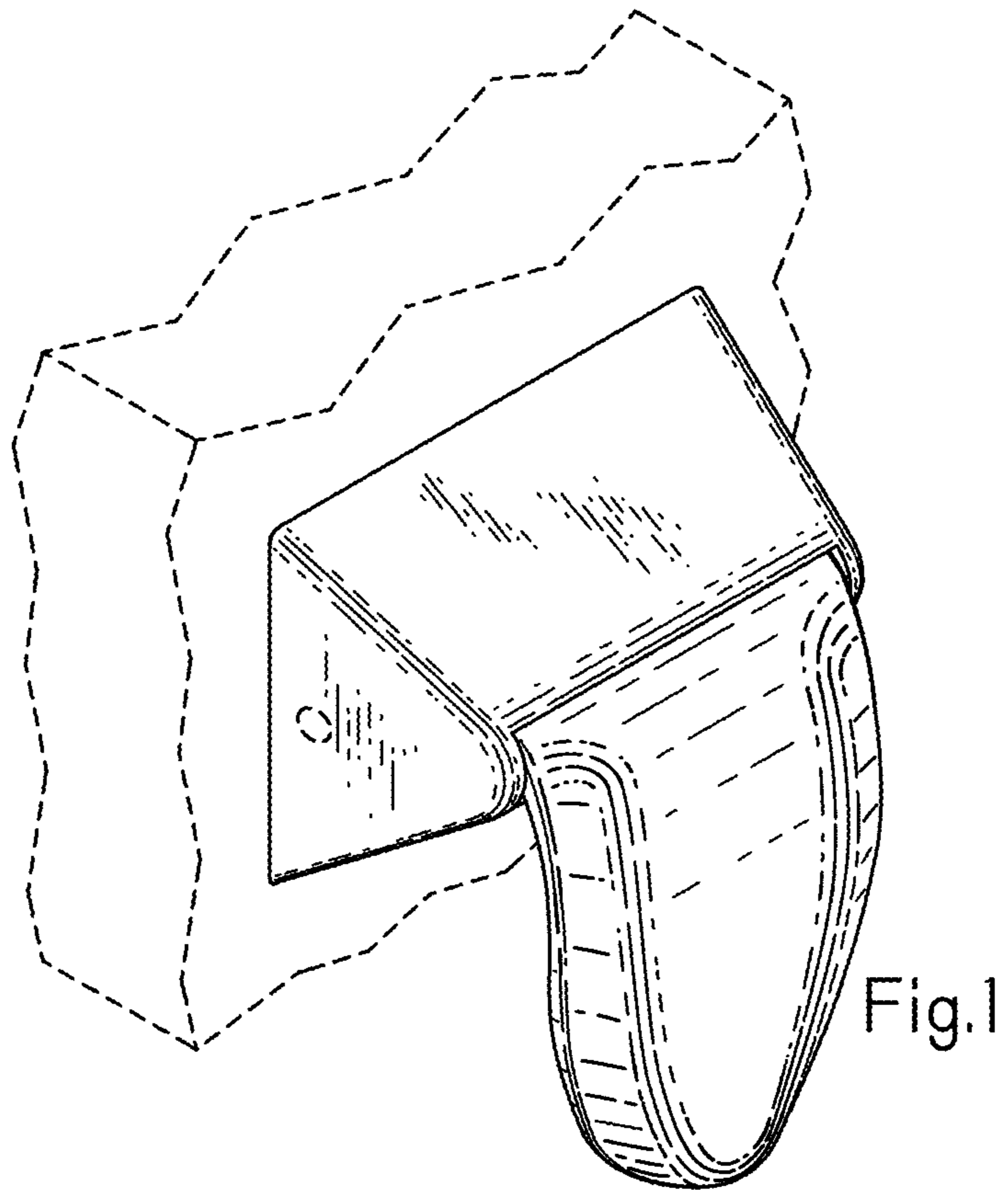
References Cited

U.S. PATENT DOCUMENTS

D533,045 S 12/2006 Schroth
D537,321 S 2/2007 Paige et al.
D541,129 S 4/2007 Helton et al.
D577,984 S 10/2008 Samhammer et al.
D630,488 S 1/2011 Tieu et al.
D635,439 S 4/2011 Barton

D643,278 S 8/2011 Fidali et al.
D645,331 S 9/2011 Lin
D646,548 S 10/2011 Mussi et al.
D646,549 S 10/2011 Mussi et al.
D677,553 S 3/2013 Shah et al.
D682,068 S * 5/2013 Pulford et al. D8/303
D700,039 S * 2/2014 Kim et al. D8/331
2013/0076046 A1 3/2013 Shah et al.

* cited by examiner



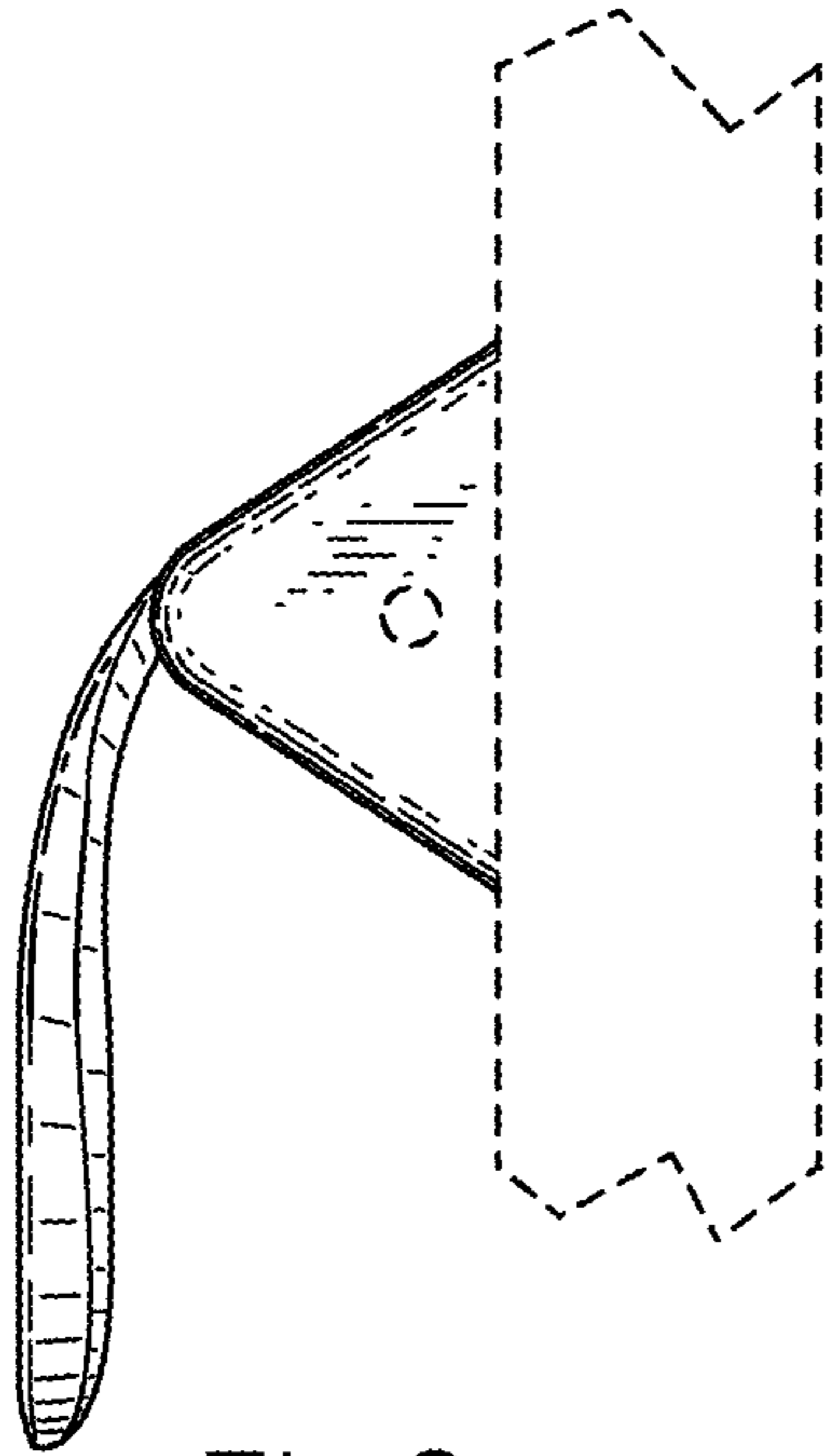


Fig. 3

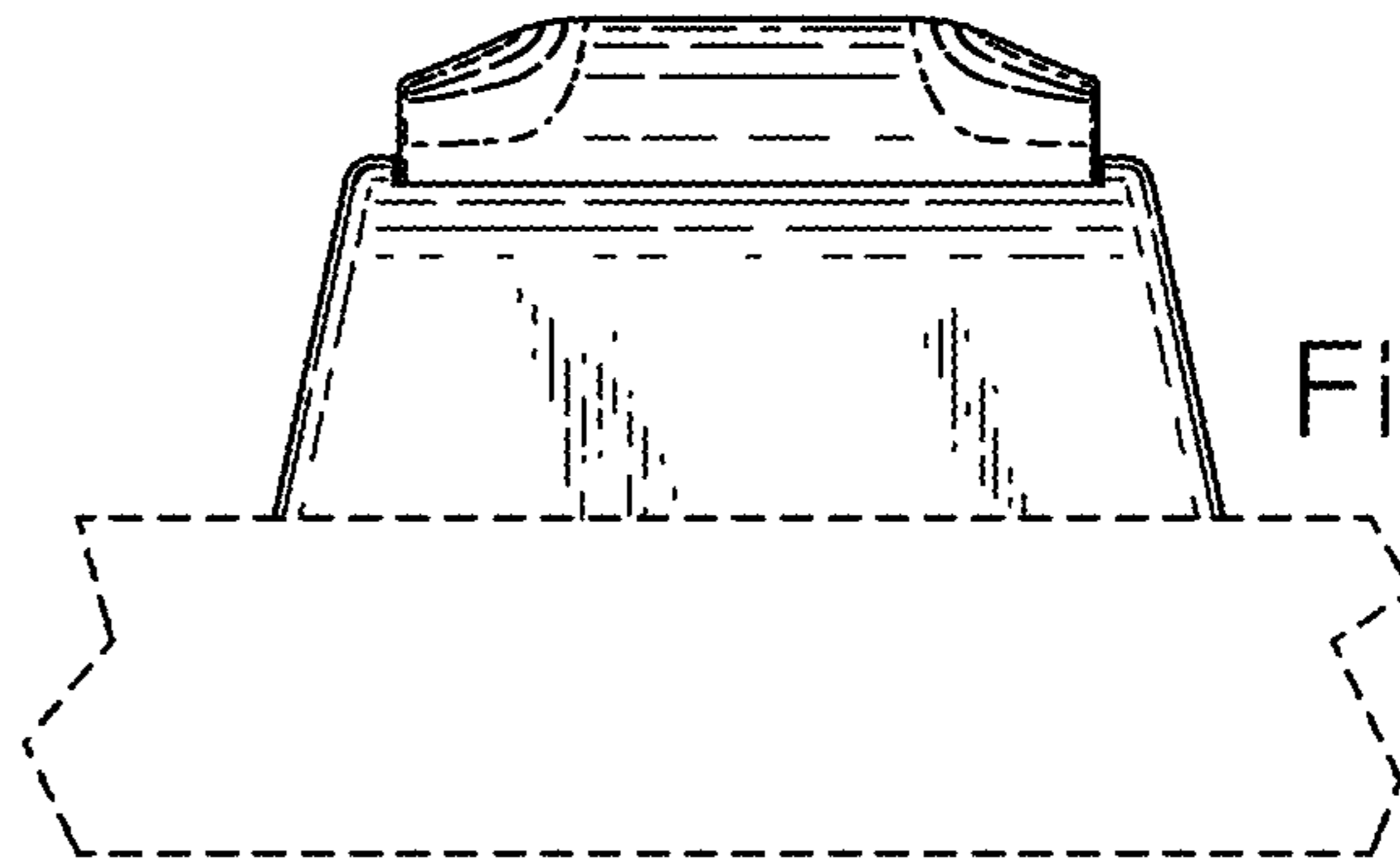


Fig. 4

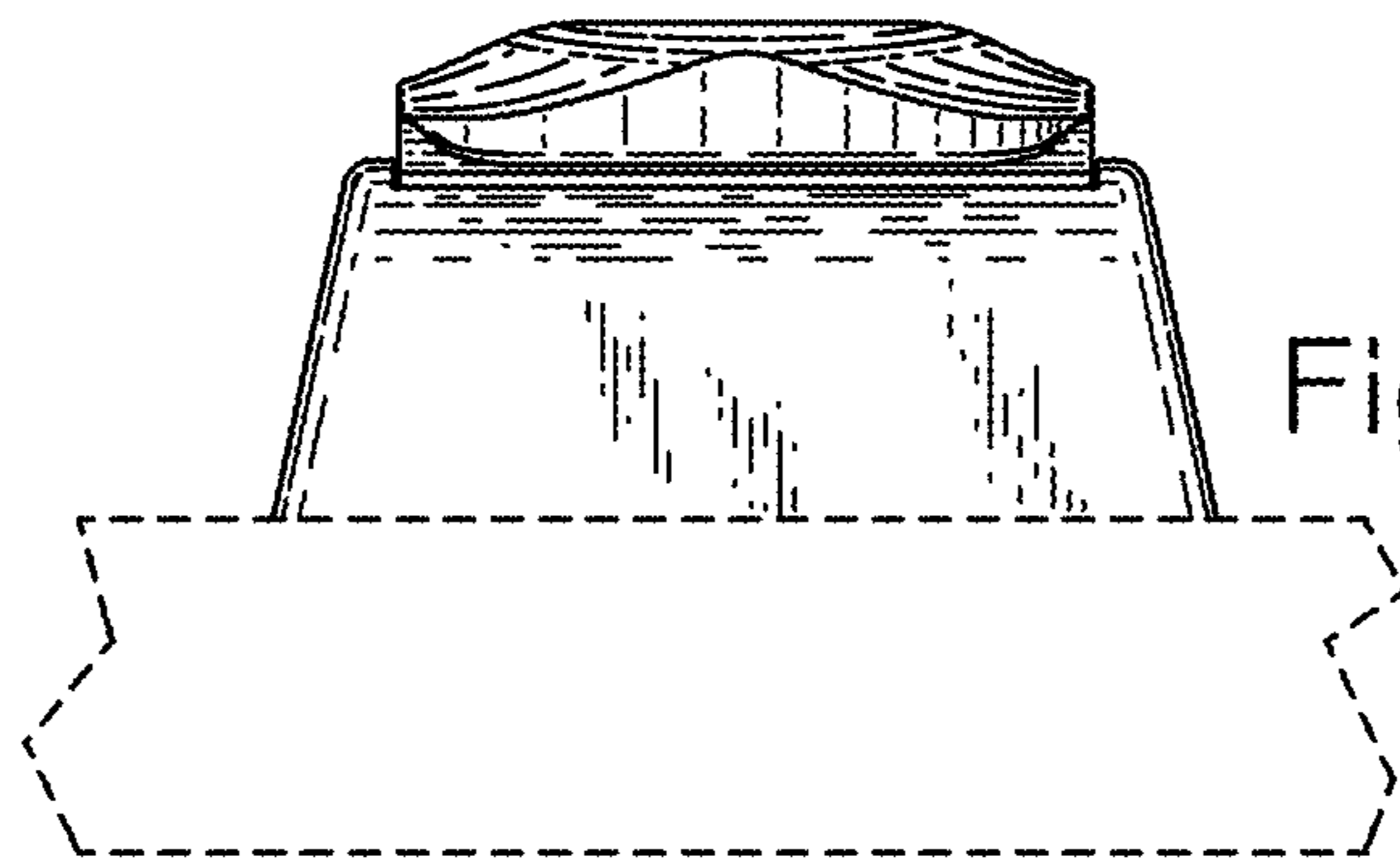


Fig. 5

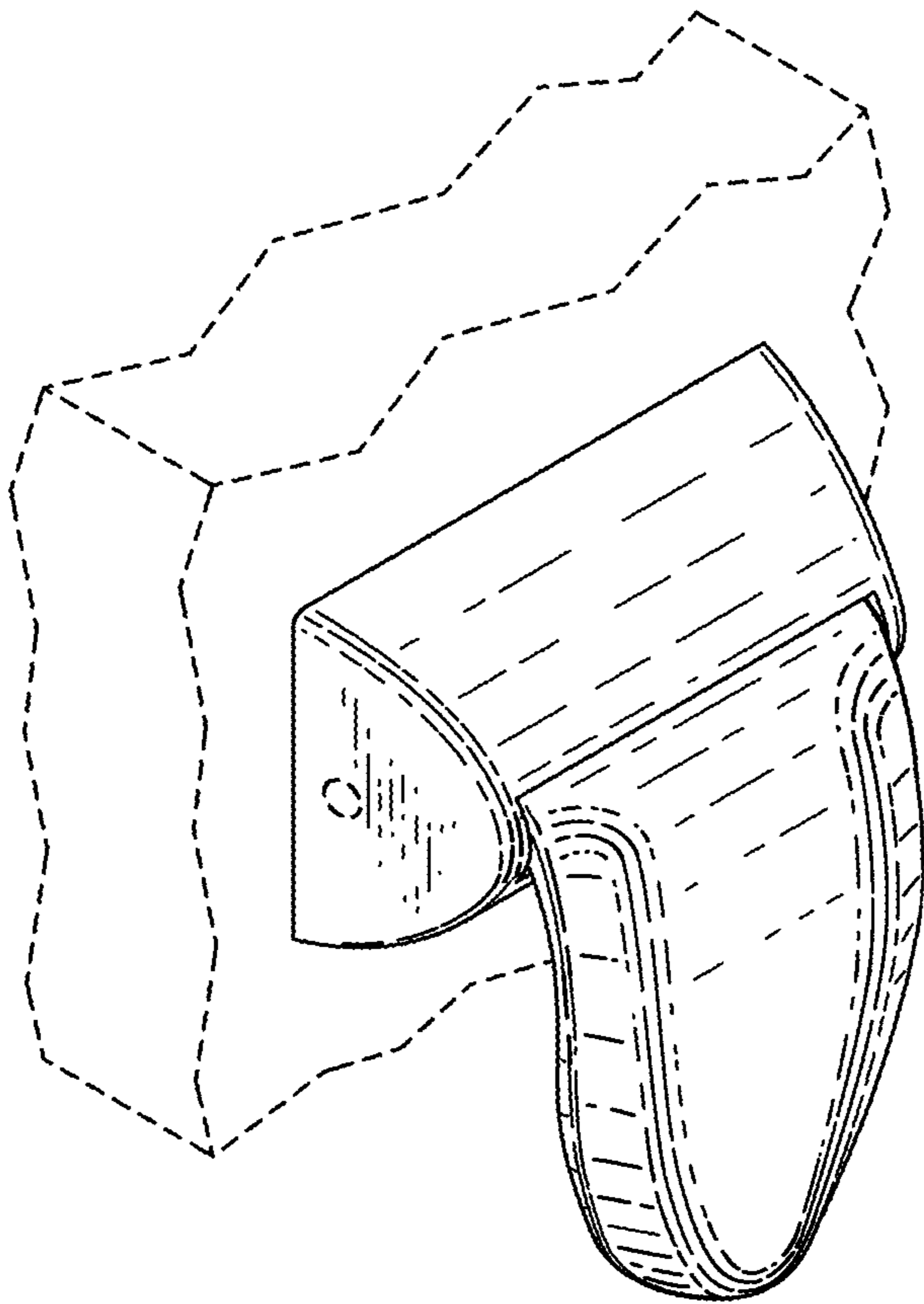


Fig. 6

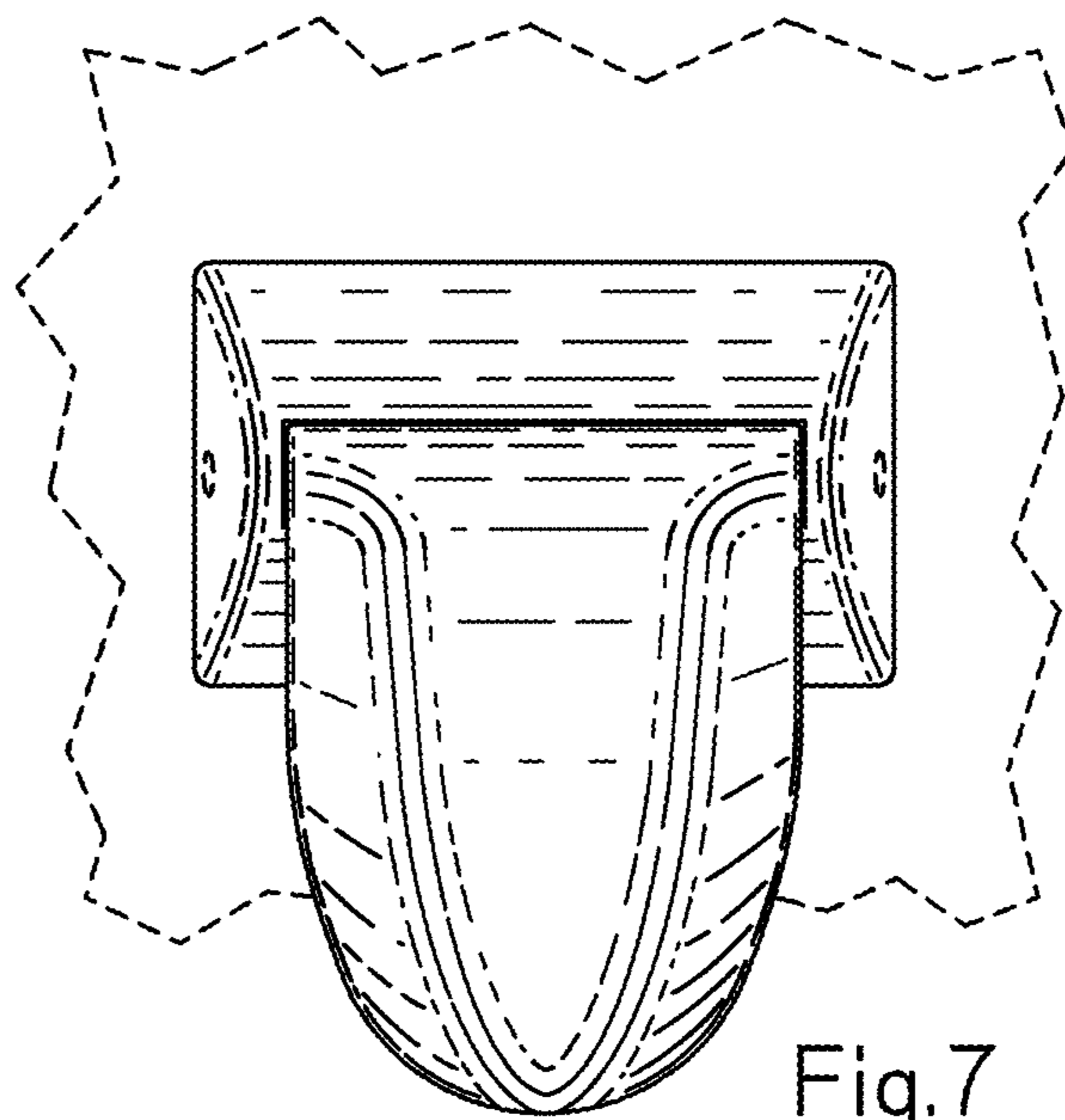


Fig. 7

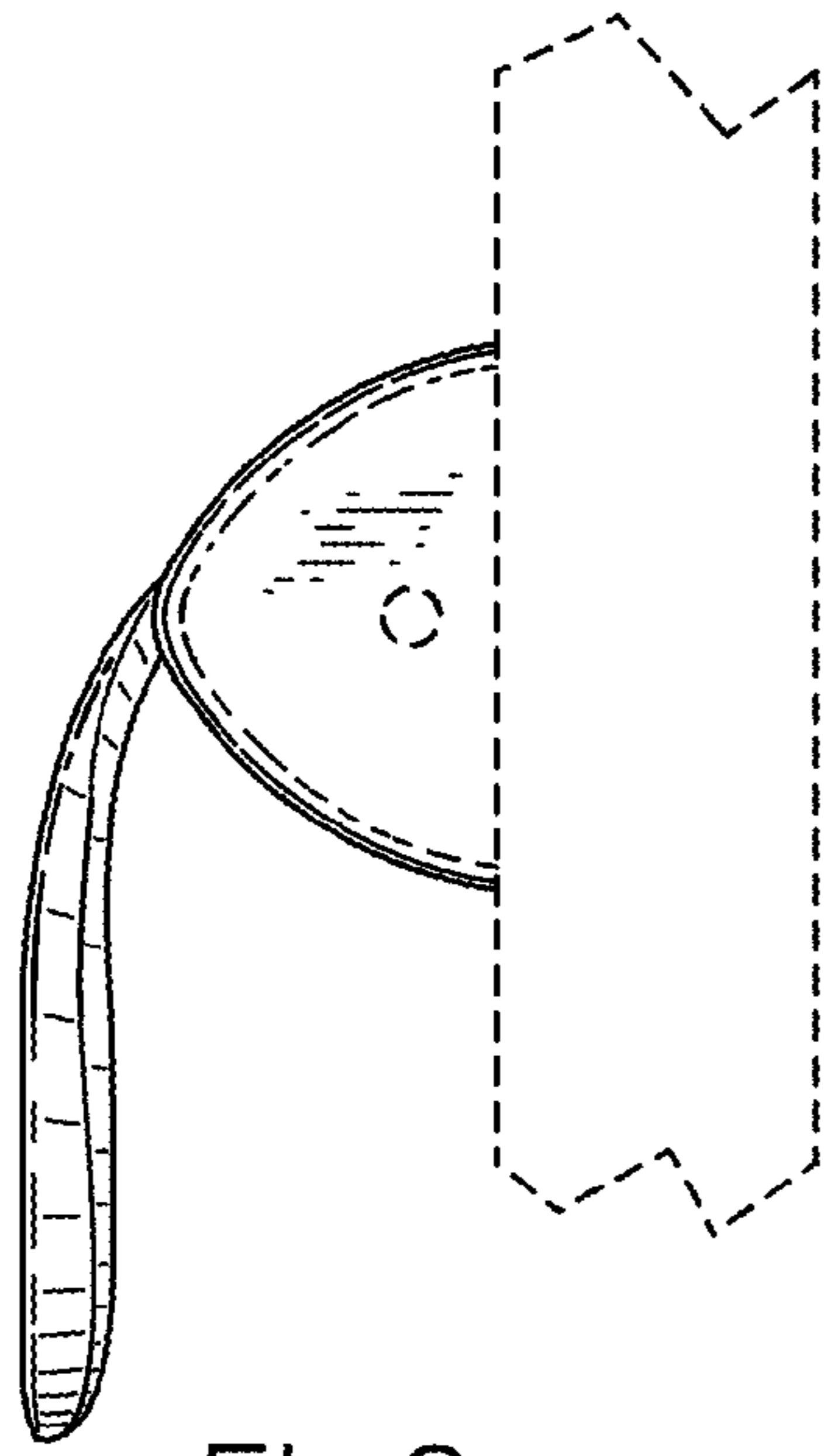


Fig. 8

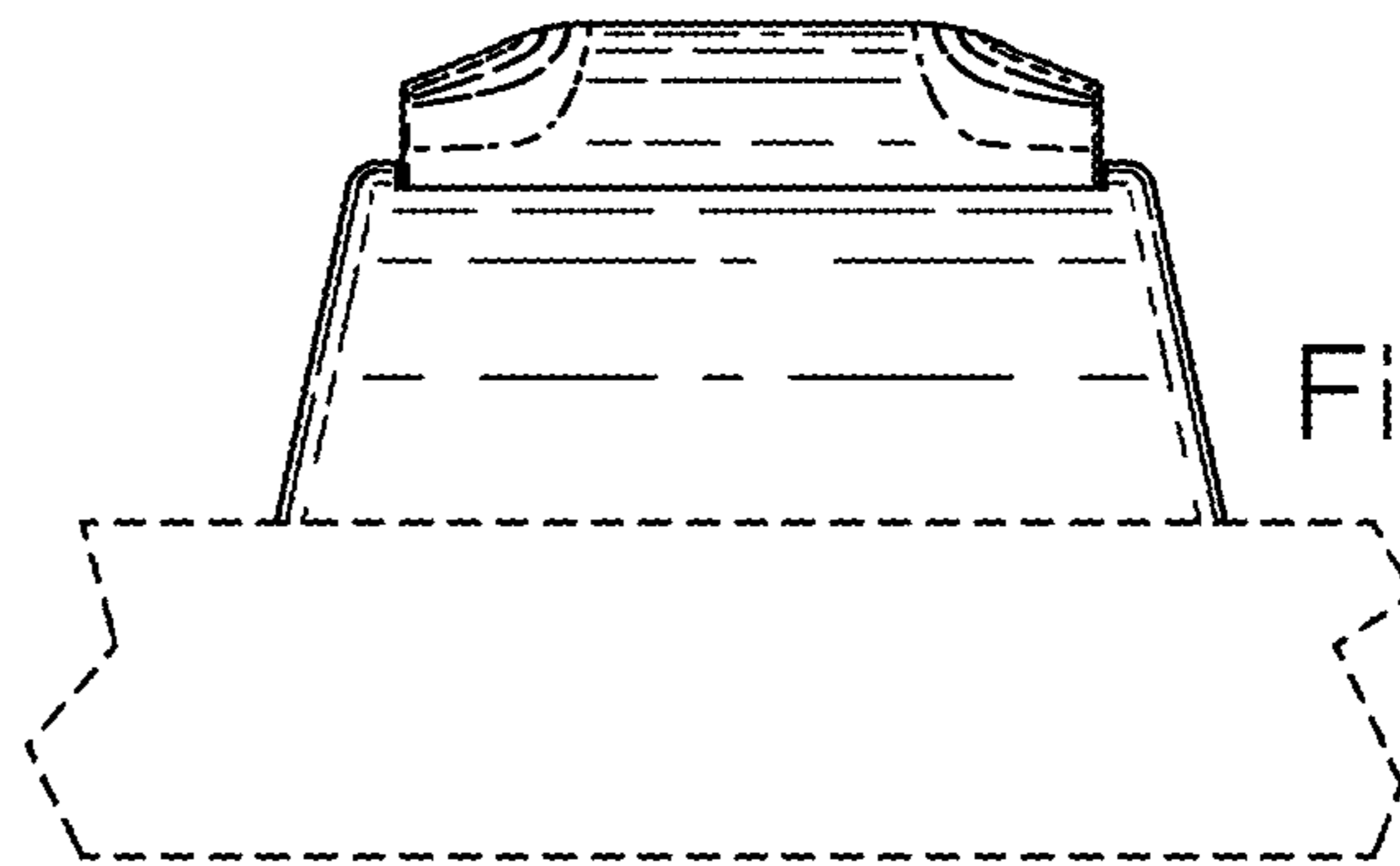


Fig. 9

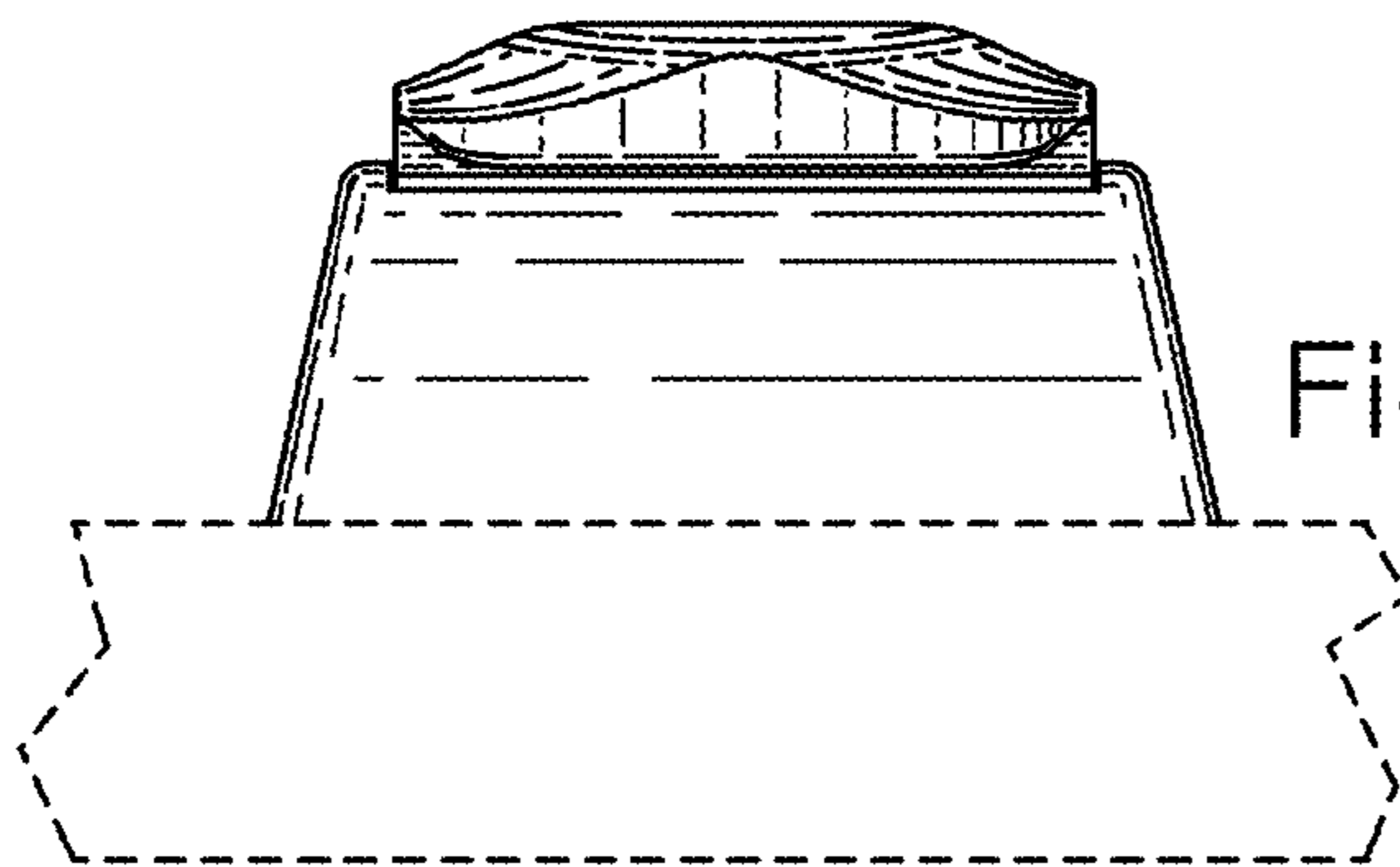


Fig. 10