



US00D722854S

(12) **United States Design Patent**
Beukema

(10) **Patent No.:** **US D722,854 S**

(45) **Date of Patent:** **** Feb. 24, 2015**

- (54) **DRILL**
- (71) Applicant: **Chervon (HK) Limited**, Wanchai (HK)
- (72) Inventor: **Brent Beukema**, Nanjing (CN)
- (73) Assignee: **Chervon (HK) Limited**, Hong Kong (HK)
- (**) Term: **14 Years**
- (21) Appl. No.: **29/484,002**
- (22) Filed: **Mar. 5, 2014**
- (30) **Foreign Application Priority Data**

Sep. 6, 2013 (CN) 2013 3 0429652

- (51) **LOC (10) Cl.** **08-03**
- (52) **U.S. Cl.**
USPC **D8/68**
- (58) **Field of Classification Search**
CPC B62D 23/005; B62D 29/00; B62D 29/043;
B62D 31/00; B62D 33/046; B62D 35/00;
B62D 35/001; B60Q 1/0005
USPC D8/61, 67, 68; 81/57.4, 489; 173/48,
173/109, 170, 178, 217; 408/124, 125;
362/119; 475/149
See application file for complete search history.

(56) **References Cited**

U.S. PATENT DOCUMENTS

- 6,308,378 B1 * 10/2001 Mooty et al. 16/430
- D546,154 S * 7/2007 Fong et al. D8/68
- D551,527 S * 9/2007 Aglassinger D8/68
- 7,492,125 B2 * 2/2009 Serdynski et al. 320/114
- D589,317 S * 3/2009 Okuda D8/68
- D593,831 S * 6/2009 Van Wambeke et al. D8/68

- D609,072 S * 2/2010 Van Wambeke D8/68
- D611,319 S * 3/2010 Van Wambeke et al. D8/68
- 8,210,273 B2 * 7/2012 Suzuki et al. 173/2
- D675,500 S * 2/2013 Taniguchi et al. D8/68
- D678,744 S * 3/2013 Aoki et al. D8/68
- D682,650 S * 5/2013 Kawase et al. D8/68
- 2009/0302554 A1 * 12/2009 Thiel 279/62

OTHER PUBLICATIONS

Beukema, Brent. "Brushless C3 Drill." Coroflot., Feb. 6, 2014 [online], [retrieved on Sep. 21, 2014]. Retrieved from the Internet <URL: <http://www.coroflot.com/brentbeukema/Brushless-C3-Drill>>.*

Craftsman. "New Craftsman C3 Brushless Drill Driver." YouTube., Oct. 25, 2013 [online], [retrieved on Sep. 21, 2014]. Retrieved from the Internet <URL: <http://www.youtube.com/watch?v=dfv85Xc4EM>>.*

* cited by examiner

Primary Examiner — Philip S Hyder
Assistant Examiner — Darlington Ly
 (74) *Attorney, Agent, or Firm* — Greenberg Traurig, LLP

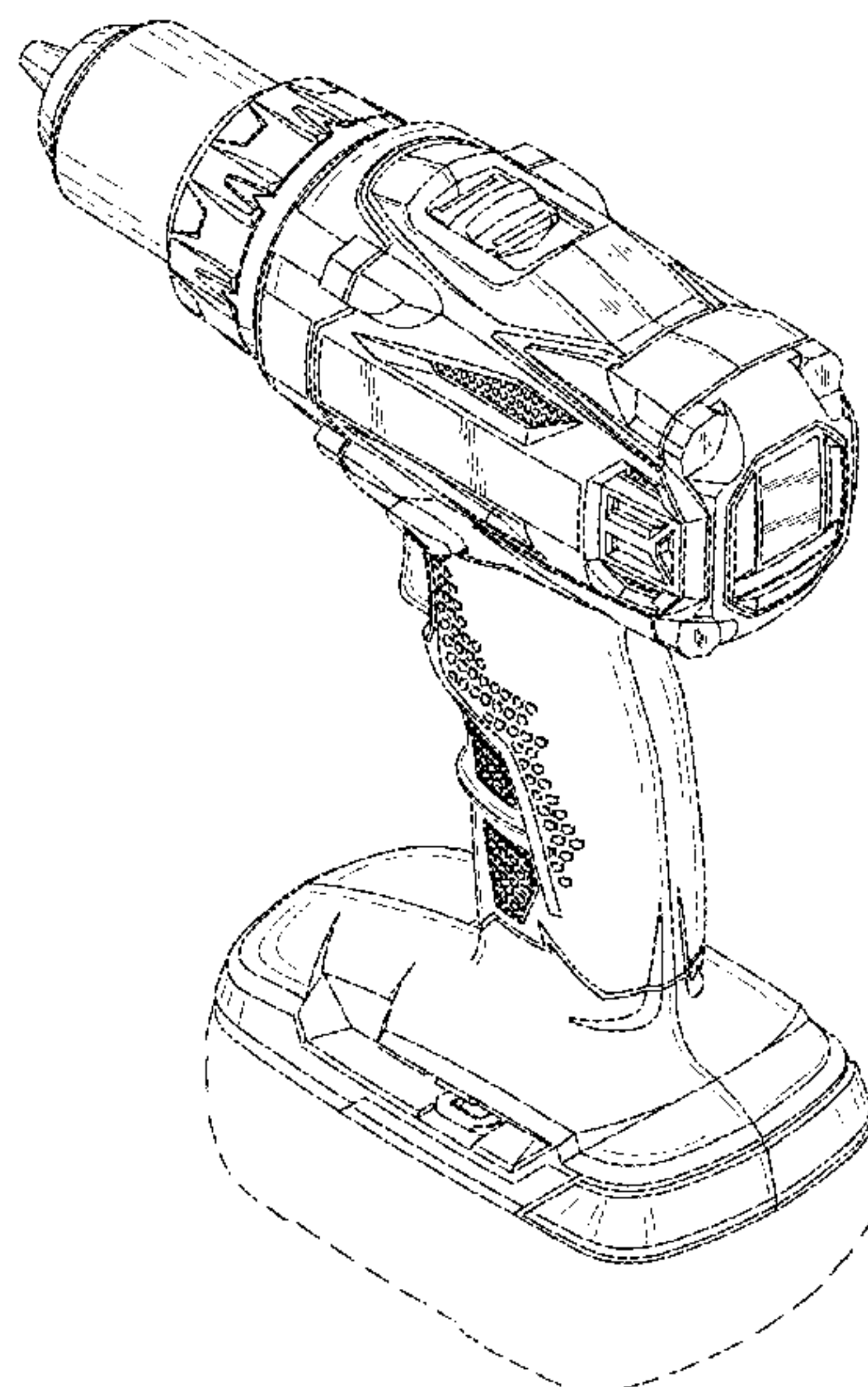
(57) **CLAIM**

The ornamental design for a drill, as shown and described.

DESCRIPTION

FIG. 1 is a left side elevational view of the drill showing my new design;
 FIG. 2 is a right side elevational view of the drill of FIG. 1;
 FIG. 3 is a front side elevational view of the drill of FIG. 1;
 FIG. 4 is a rear side elevational view of the drill of FIG. 1;
 FIG. 5 is a top plan view of the drill of FIG. 1;
 FIG. 6 is a bottom plan view of the drill of FIG. 1; and,
 FIG. 7 is a perspective view of the drill of FIG. 1.
 The broken lines shown in the drawings illustrate portions of the drill that forms no part of claimed design.

1 Claim, 6 Drawing Sheets



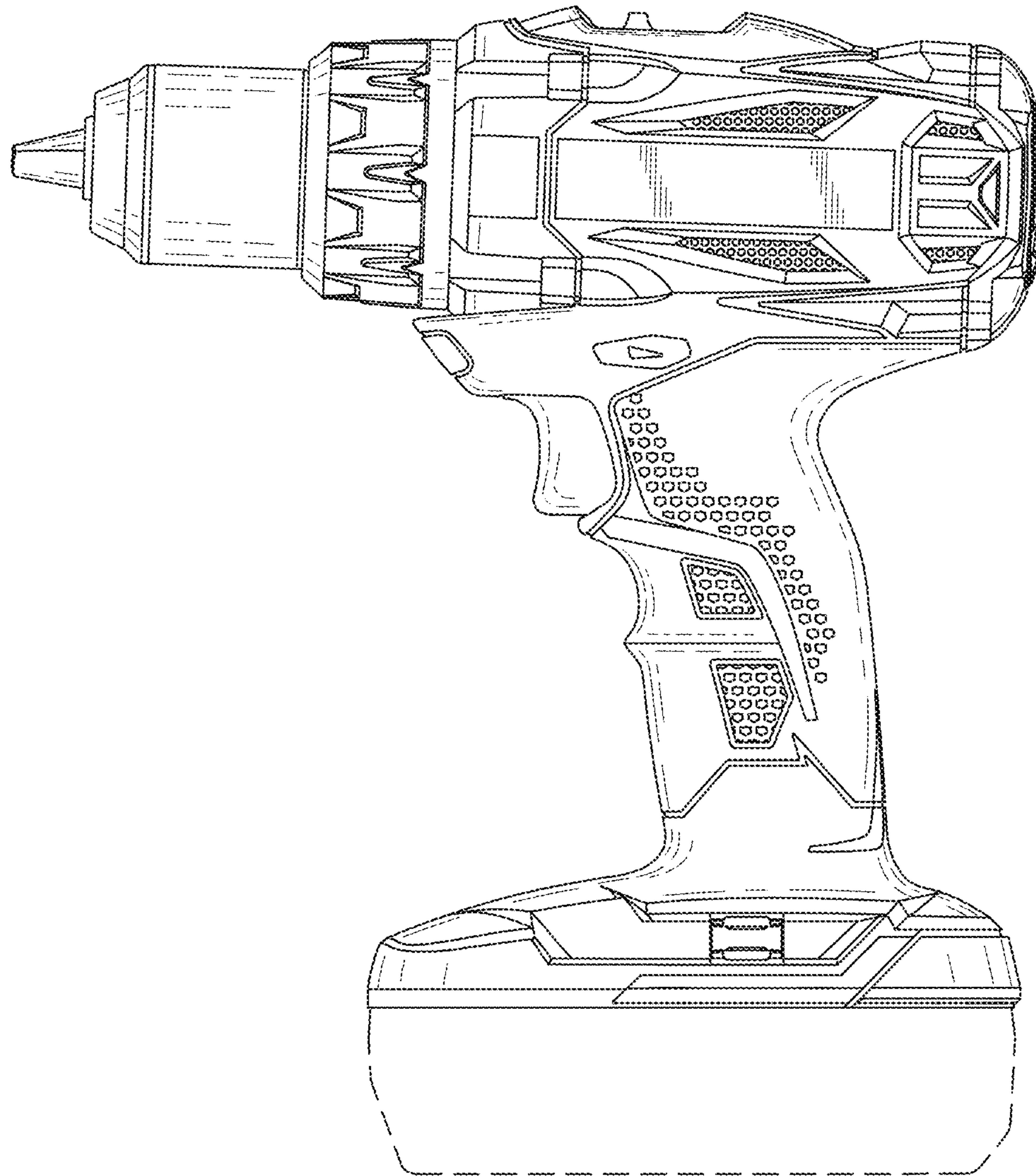


Fig. 1

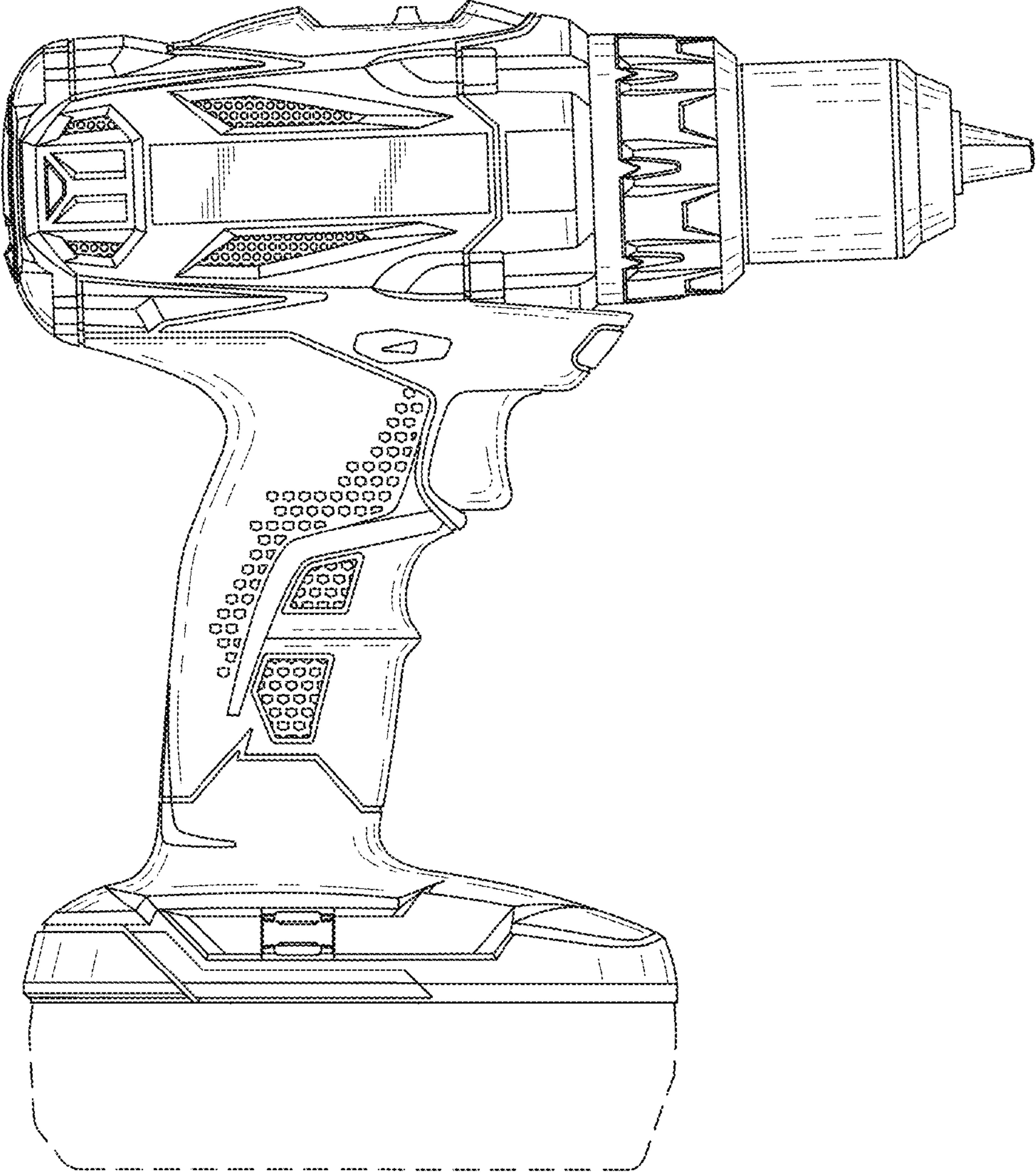


Fig. 2

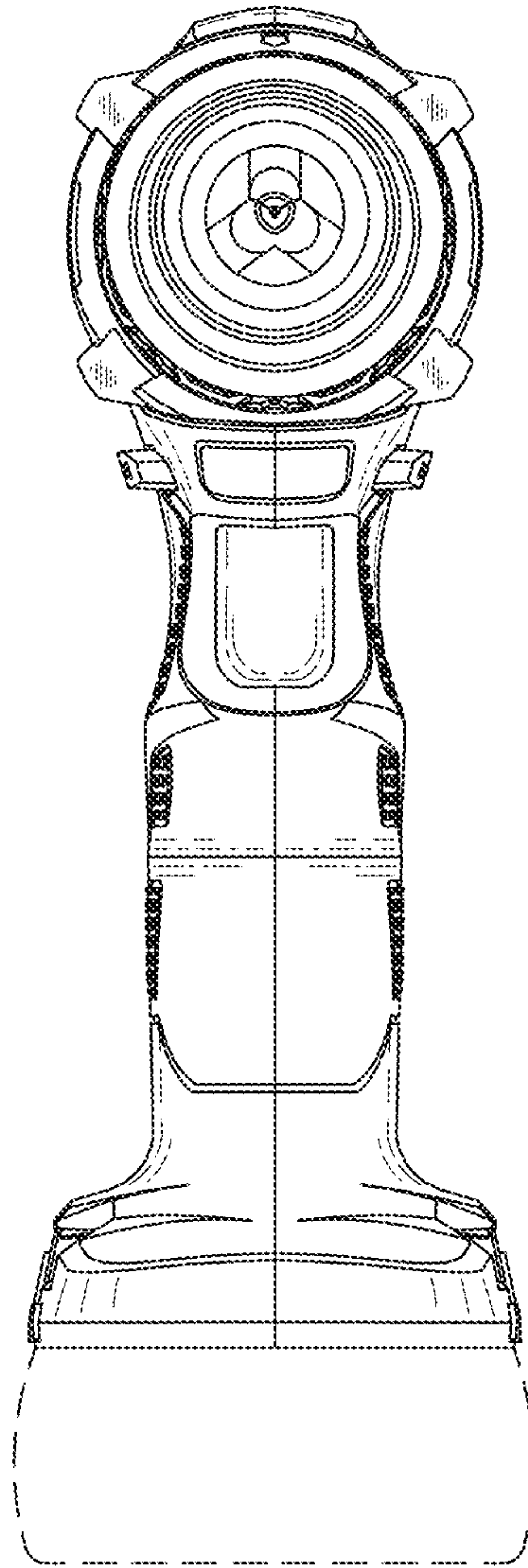


Fig. 3

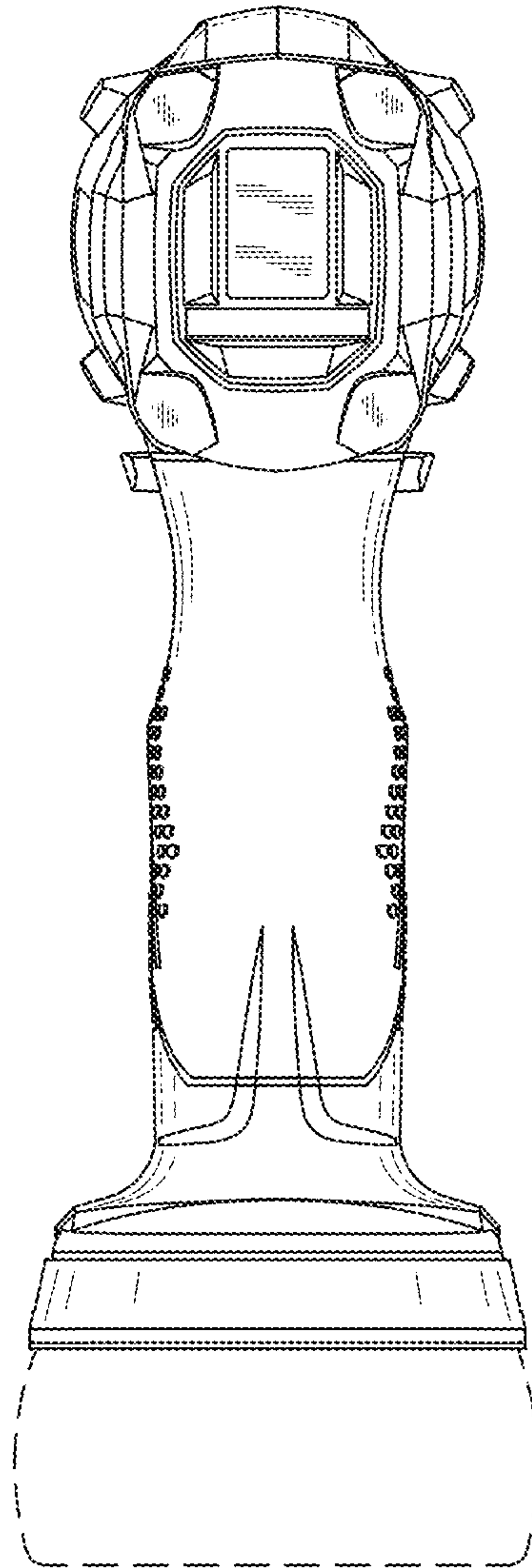


Fig. 4

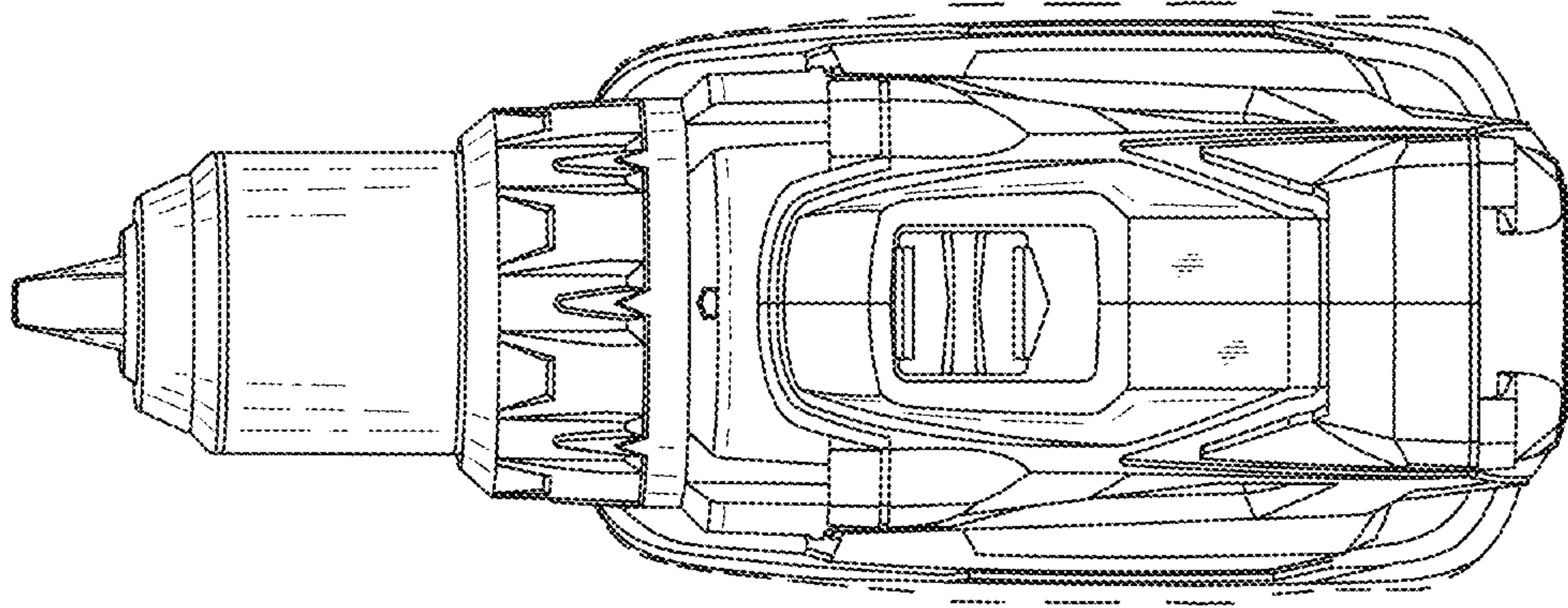


Fig. 5

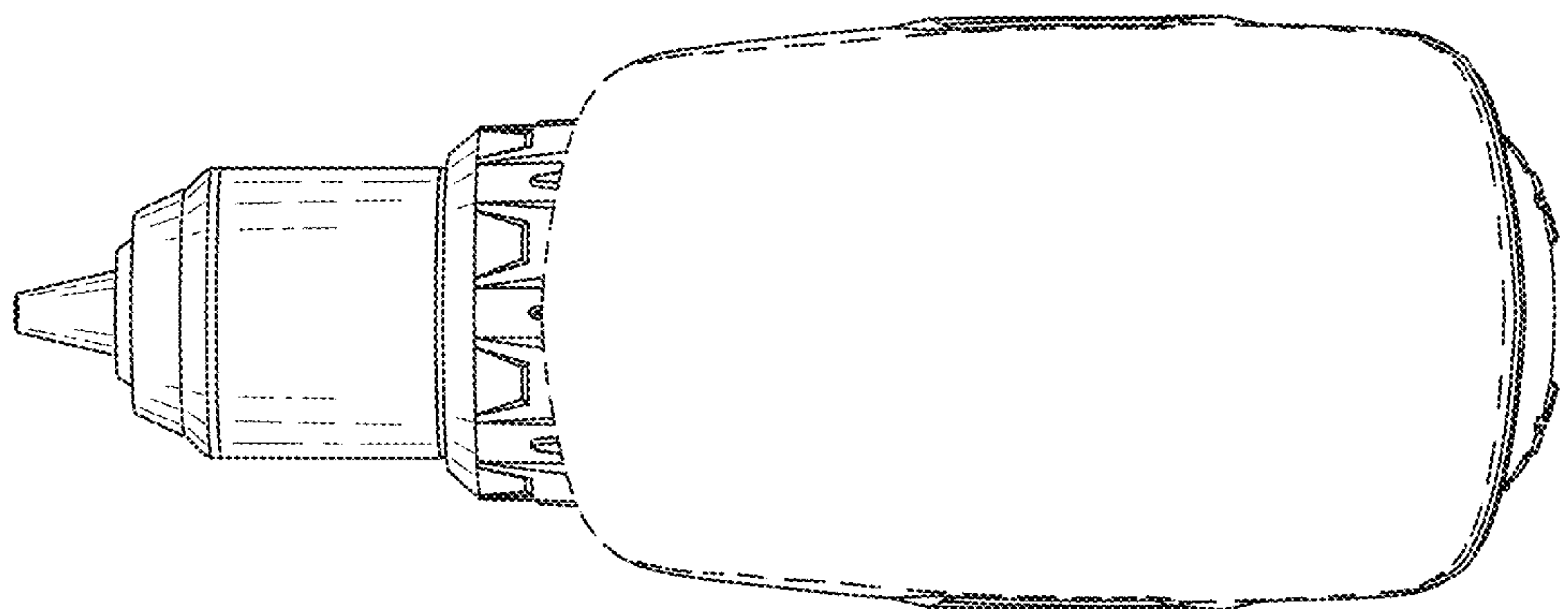


Fig. 6

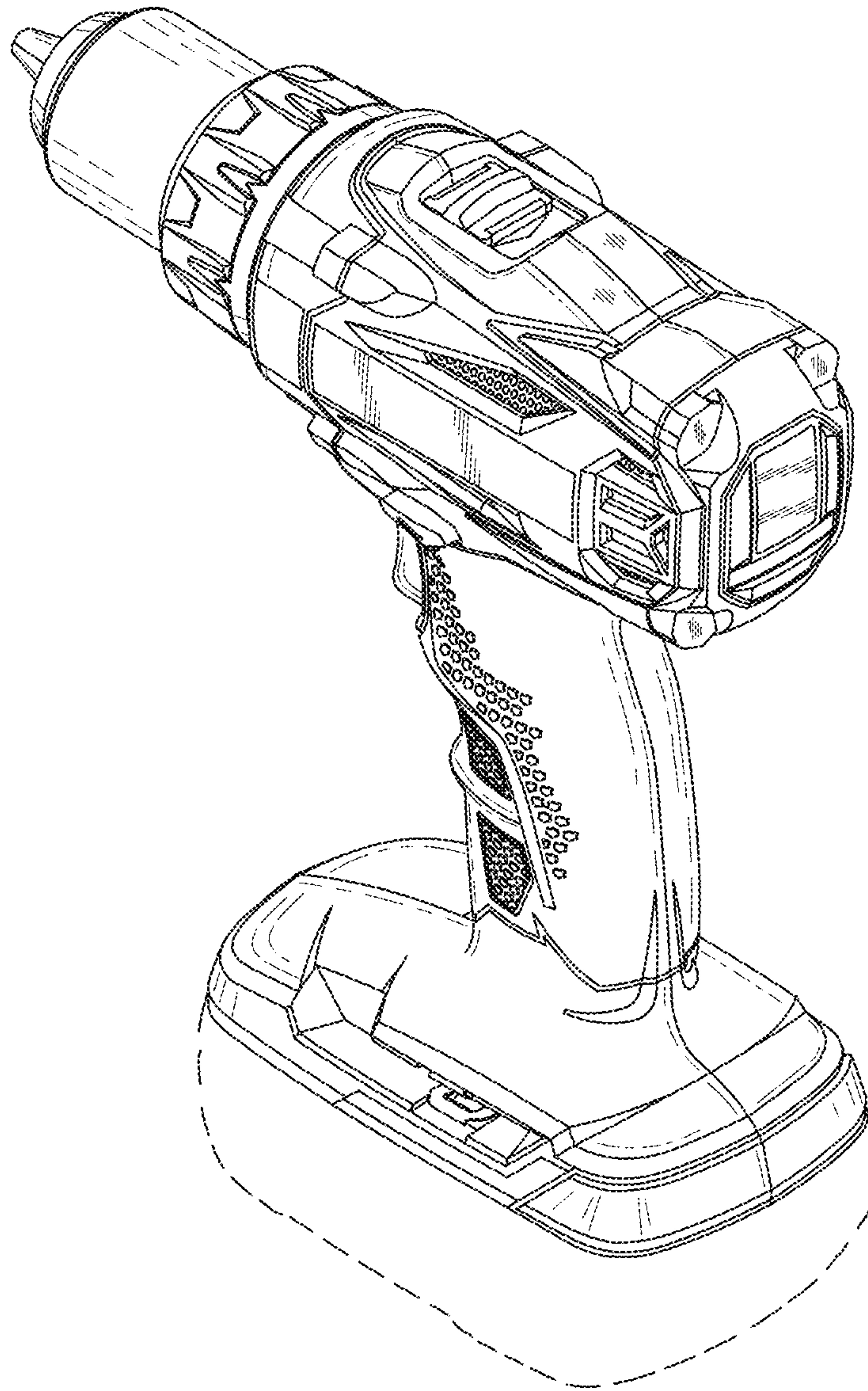


Fig. 7