



US00D722853S

(12) **United States Design Patent**  
**Takahashi et al.**

(10) **Patent No.:** **US D722,853 S**

(45) **Date of Patent:** **\*\* Feb. 24, 2015**

(54) **HOUSING FOR POWER TOOL**

(71) Applicant: **Makita Corporation**, Anjo-shi, Aichi (JP)

(72) Inventors: **Koji Takahashi**, Anjo (JP); **Takahiro Kawakami**, Anjo (JP); **Akira Mizutani**, Anjo (JP)

(73) Assignee: **Makita Corporation**, Anjo-shi (JP)

(\*\*) Term: **14 Years**

(21) Appl. No.: **29/497,845**

(22) Filed: **Jul. 29, 2014**

(30) **Foreign Application Priority Data**

Feb. 19, 2014 (JP) ..... 2014-003351

(51) **LOC (10) Cl.** ..... **08-01**

(52) **U.S. Cl.**  
USPC ..... **D8/61**

(58) **Field of Classification Search**  
USPC ..... D8/17, 21-29, 59-62, 64, 67, 68, 70, D8/82; 81/54, 57, 57.11, 57.13, 57.14, 81/57.42, 57.29, 57.39, 58, 60-63.2, 81/177.1, 177.4, 177.6, 177.8, 177.9, 81/177.85; 173/13, 104, 114, 168; 227/8, 227/113, 114, 120, 130, 136, 142; 408/20, 408/124, 125, 234, 241 R  
See application file for complete search history.

(56) **References Cited**

**U.S. PATENT DOCUMENTS**

D468,179 S \* 1/2003 Hayakawa et al. .... D8/62  
6,716,095 B1 \* 4/2004 Hsu et al. .... 451/358  
D497,296 S \* 10/2004 Krondorfer et al. .... D8/62  
D506,662 S \* 6/2005 Watson ..... D8/62  
D527,966 S \* 9/2006 Hayakawa et al. .... D8/62  
D540,638 S \* 4/2007 Concari ..... D8/62

D548,034 S 8/2007 Hayakawa et al.  
D576,461 S \* 9/2008 Bast ..... D8/62  
D580,723 S \* 11/2008 Concari ..... D8/62  
D592,026 S \* 5/2009 Okuda et al. .... D8/62  
D605,013 S \* 12/2009 Kokawa et al. .... D8/62  
D634,170 S \* 3/2011 Hu et al. .... D8/62  
D658,464 S \* 5/2012 Kawase et al. .... D8/61  
D712,224 S \* 9/2014 Zhang ..... D8/61

\* cited by examiner

*Primary Examiner* — Austin Murphy

(74) *Attorney, Agent, or Firm* — Global IP Counselors, LLP

(57) **CLAIM**

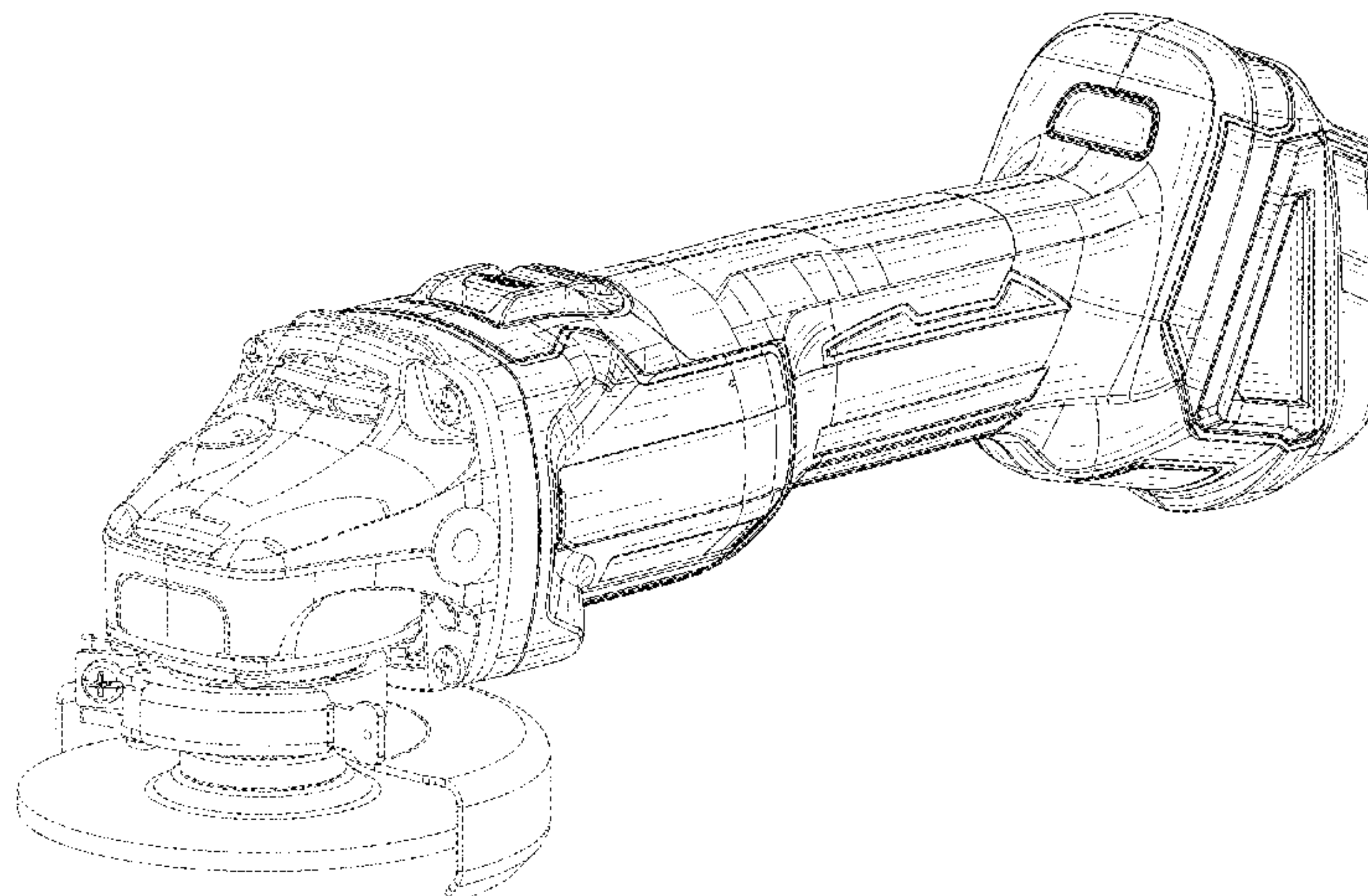
The ornamental design for a housing for power tool, as shown and described.

**DESCRIPTION**

FIG. 1 is a front perspective view of a housing for power tool in accordance with our new design;  
FIG. 2 is a rear perspective view of the housing for power tool in accordance with our new design;  
FIG. 3 is a front elevational view of the housing for power tool in accordance with our new design;  
FIG. 4 is a rear elevational view of the housing for power tool in accordance with our new design;  
FIG. 5 is a top plan view of the housing for power tool in accordance with our new design;  
FIG. 6 is a bottom plan view of the housing for power tool in accordance with our new design;  
FIG. 7 is a right side elevational view of the housing for power tool in accordance with our new design;  
FIG. 8 is a left side elevational view of the housing for power tool in accordance with our new design; and,  
FIG. 9 is a front perspective view, similar to FIG. 1 of the housing for power tool in accordance with our new design illustrating a state in which a grinder attachment is attached to the housing for power tool.

The broken line showing of environment forms no part of the claimed design.

**1 Claim, 8 Drawing Sheets**



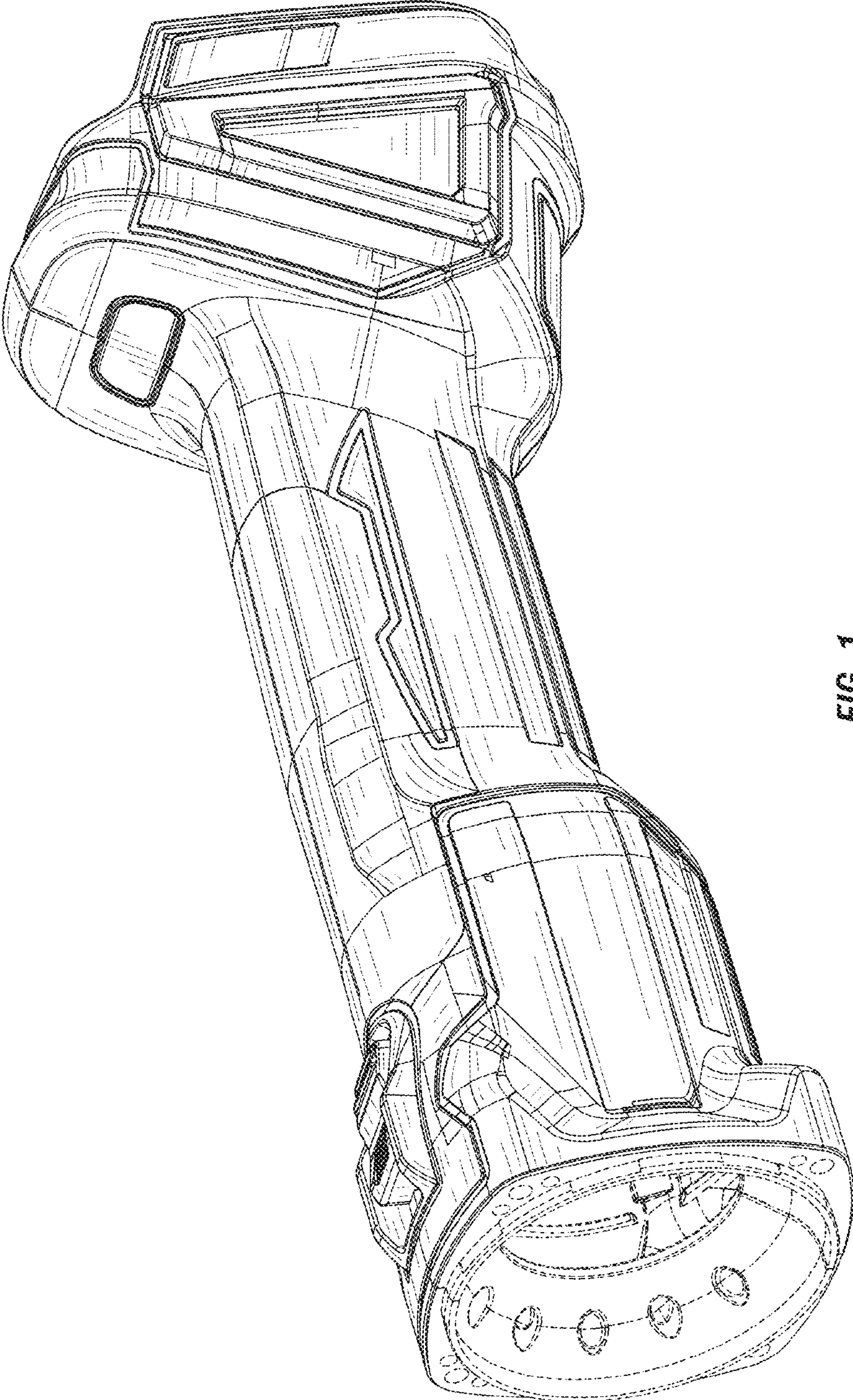


FIG. 1



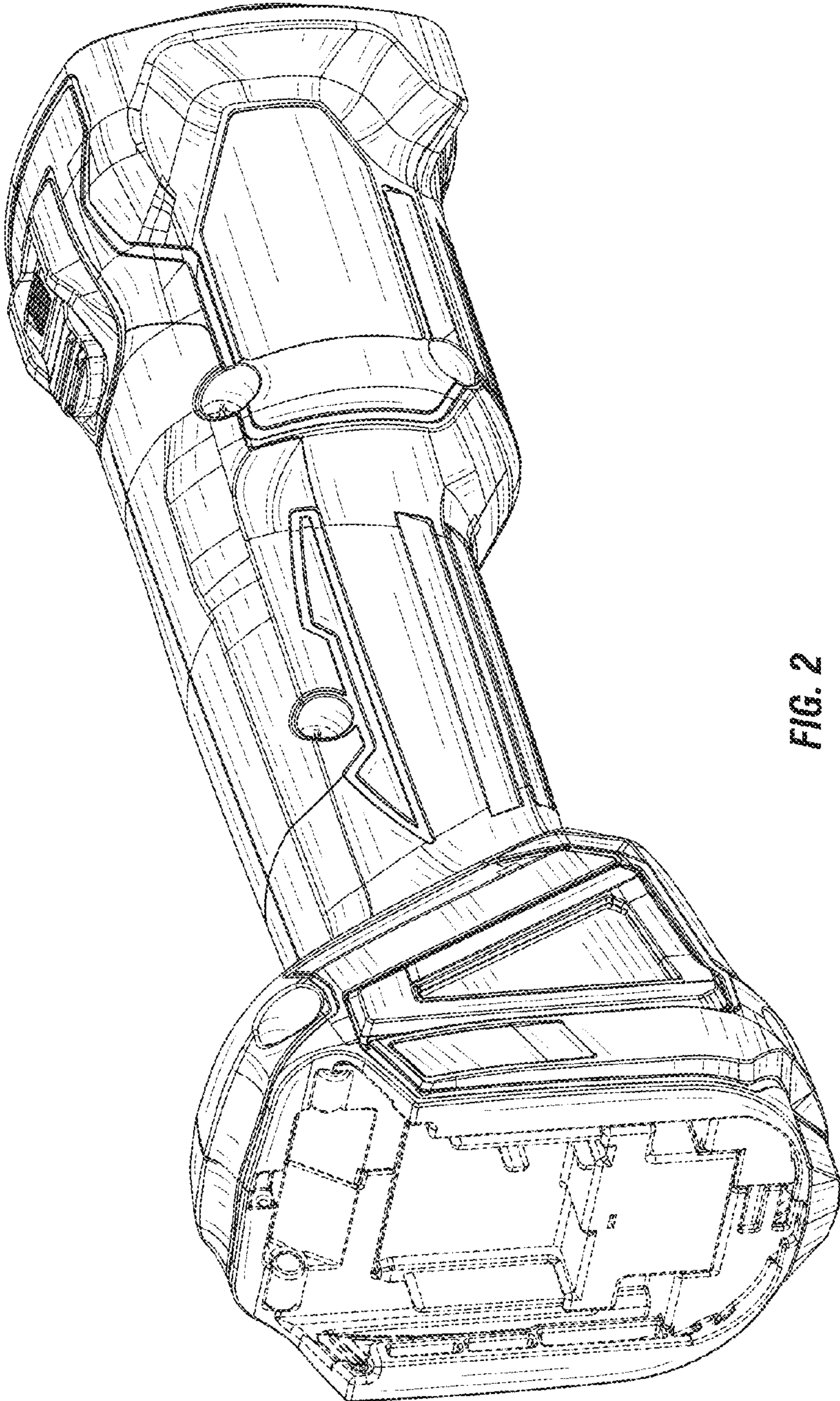


FIG. 2

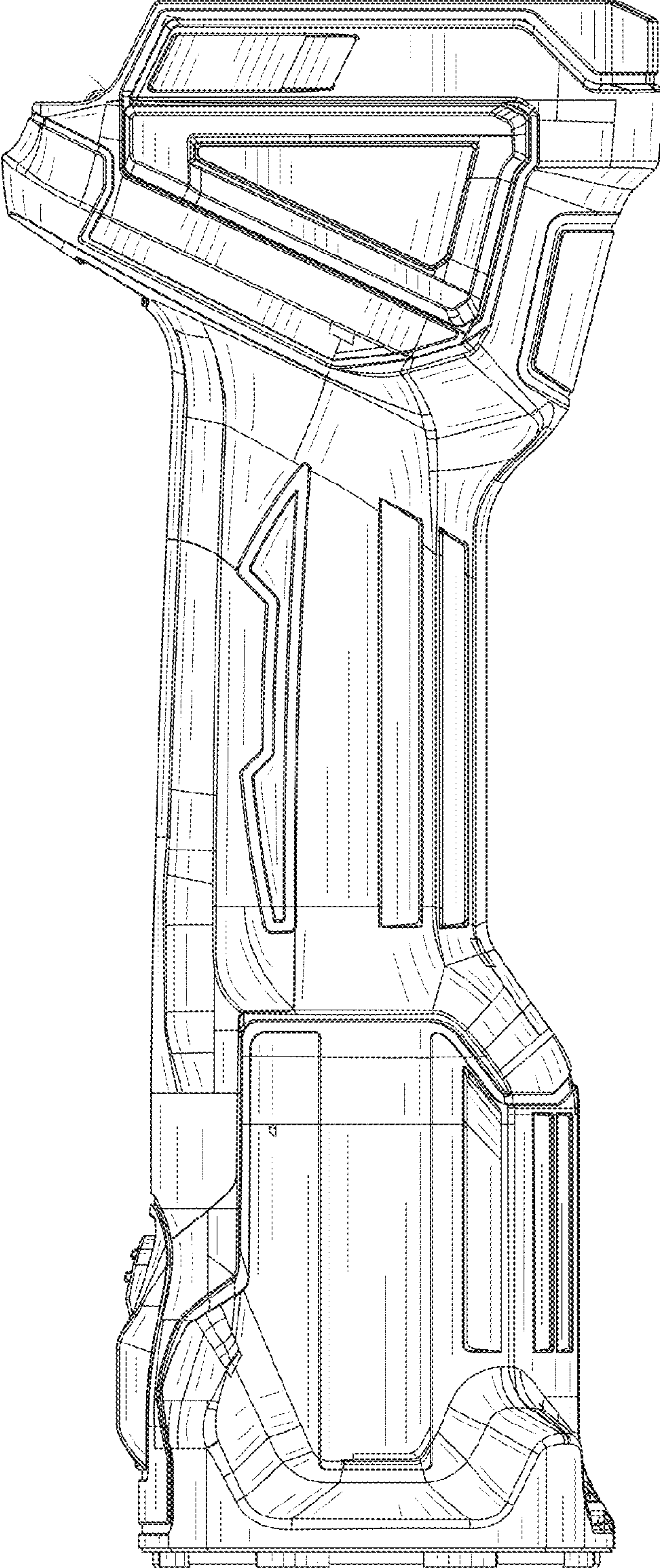


FIG. 3



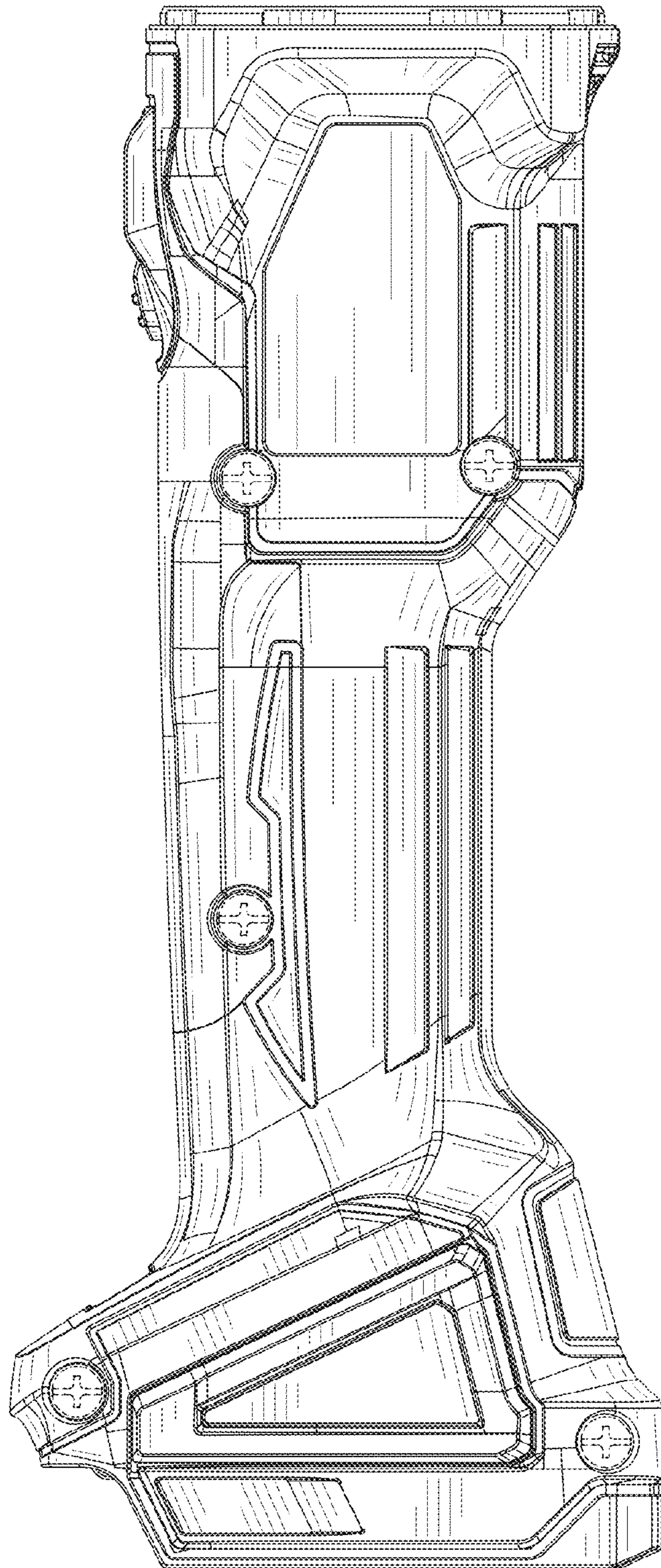


FIG. 4

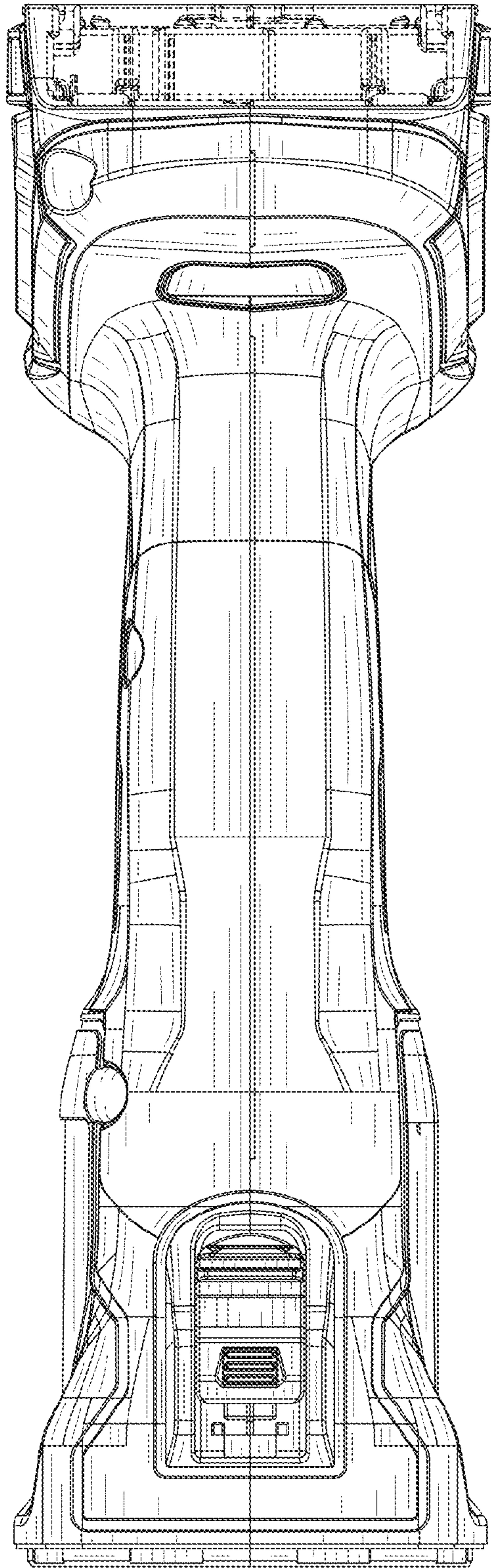


FIG. 5



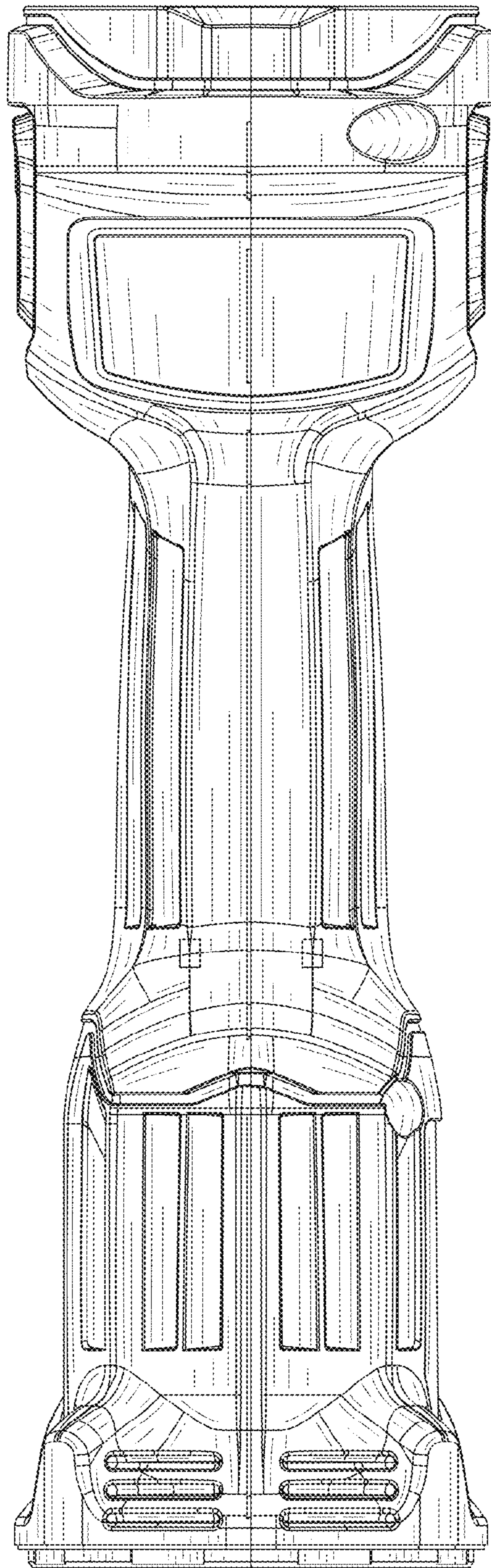
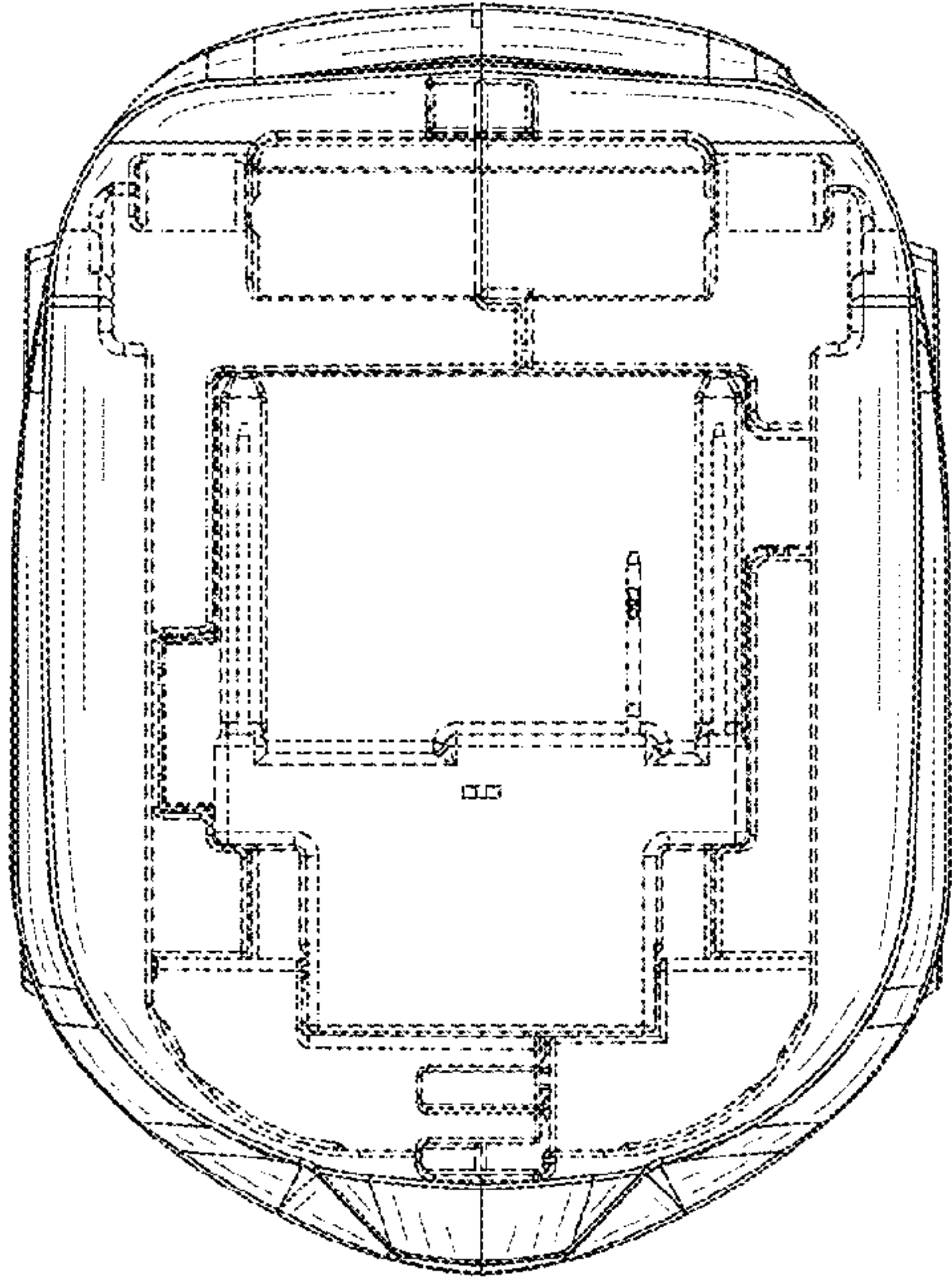
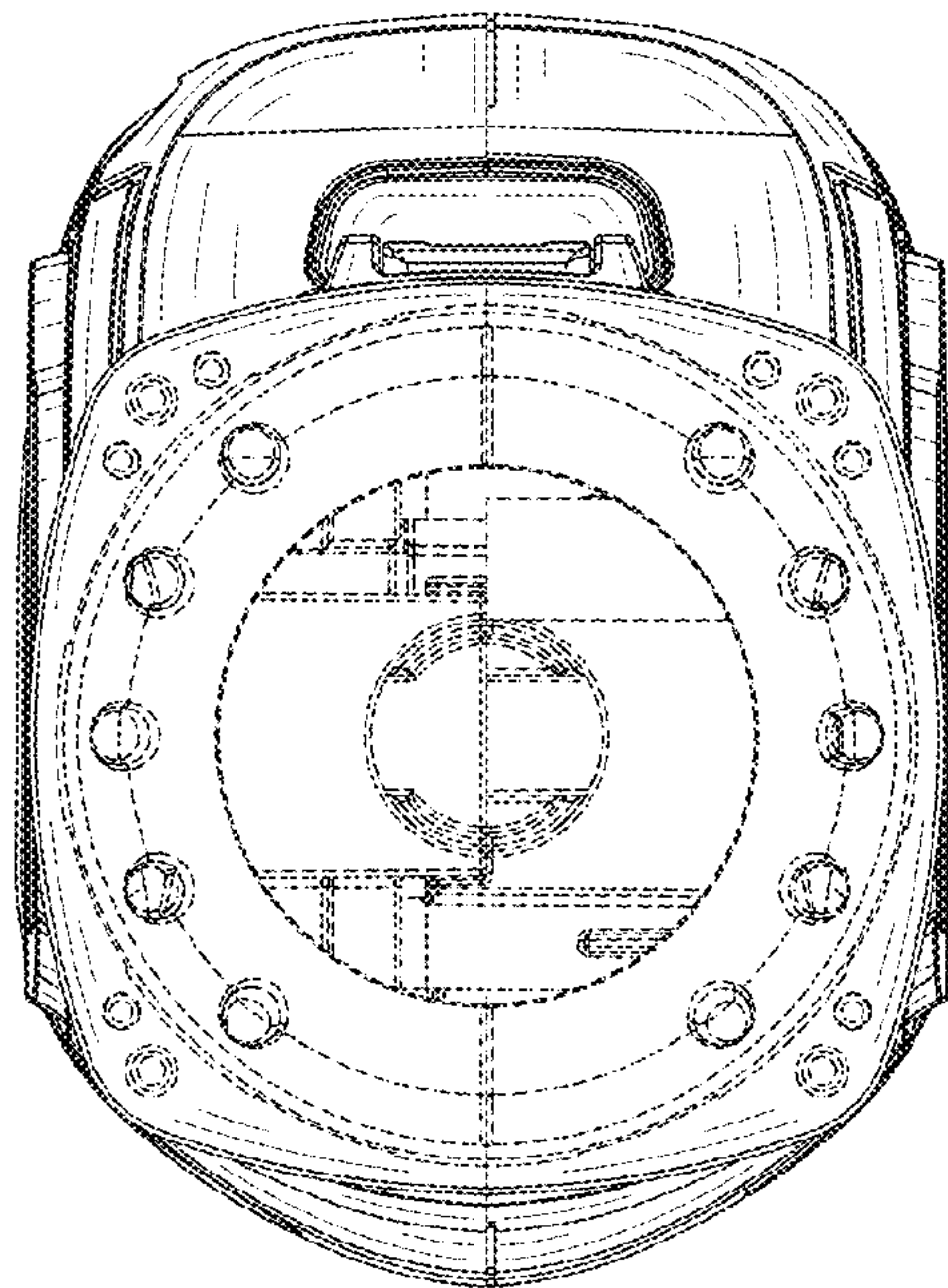


FIG. 6



**FIG. 7**



**FIG. 8**



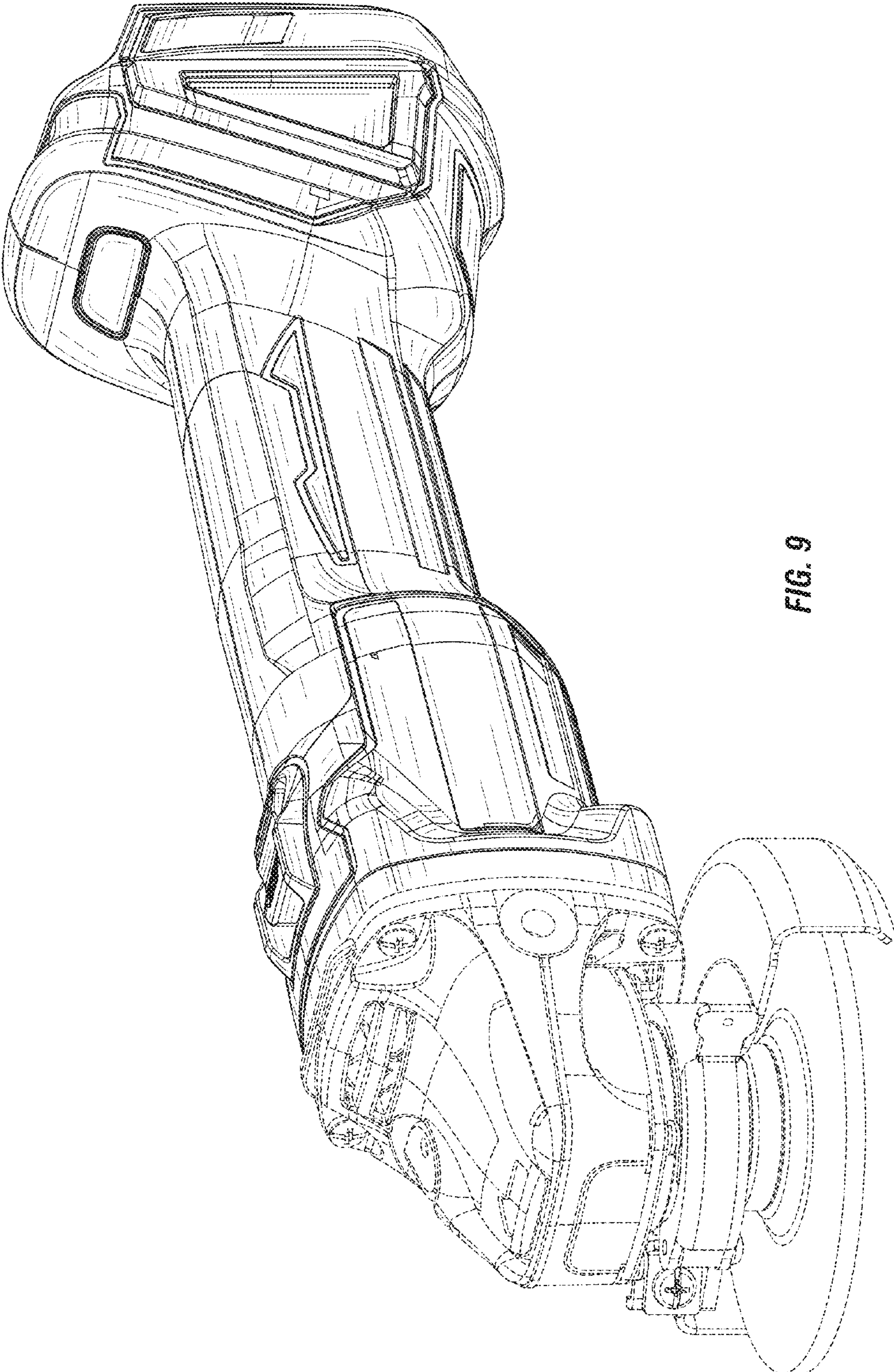


FIG. 9