



US00D722851S

(12) **United States Design Patent**
Constantine et al.

(10) **Patent No.:** **US D722,851 S**

(45) **Date of Patent:** **** Feb. 24, 2015**

(54) **CRIMPER**

(71) Applicants: **Richard S. Constantine**, Monroe, CT (US); **Kenneth W. Harris**, Saint Louis, MO (US); **Aaron P. Brookhart**, Saint Louis, MO (US); **Brandon T. Hefer**, Saint Louis, MO (US); **Justin T. Snell**, Saint Louis, MO (US)

(72) Inventors: **Richard S. Constantine**, Monroe, CT (US); **Kenneth W. Harris**, Saint Louis, MO (US); **Aaron P. Brookhart**, Saint Louis, MO (US); **Brandon T. Hefer**, Saint Louis, MO (US); **Justin T. Snell**, Saint Louis, MO (US)

(73) Assignee: **Acme United Corporation**, Fairfield, CT (US)

(**) Term: **14 Years**

(21) Appl. No.: **29/487,071**

(22) Filed: **Apr. 4, 2014**

(51) **LOC (10) Cl.** **08-05**

(52) **U.S. Cl.**
USPC **D8/52**

(58) **Field of Classification Search**
CPC B25B 7/00; B25B 7/02
USPC 81/427.5, 489, 415-417, 177.1, 177.7, 81/418; 16/430; D8/107, 52, 80, 83, 84, D8/94, 97, 303, 315, 318, 322; 7/107; D22/150

See application file for complete search history.

(56) **References Cited**

U.S. PATENT DOCUMENTS

4,829,858	A *	5/1989	Kern et al.	81/415
D310,951	S *	10/1990	Monnet	D8/52
D395,217	S *	6/1998	Start	D8/52
D421,378	S *	3/2000	Glesser	D8/99

D449,501	S *	10/2001	Lamond et al.	D8/52
D477,508	S *	7/2003	Brady et al.	D8/52
D486,047	S *	2/2004	Jansson et al.	D8/52
6,776,073	B1 *	8/2004	Brady et al.	81/427.5
6,966,244	B2 *	11/2005	Herbst et al.	81/418
D520,845	S *	5/2006	Wlaker	D8/107
D537,307	S *	2/2007	Wang	D8/52
D537,308	S *	2/2007	Wang	D8/52
D548,555	S *	8/2007	Brady et al.	D8/52
D577,563	S *	9/2008	Chen	D8/107
D589,322	S *	3/2009	Demers et al.	D8/107
D593,716	S *	6/2009	Strauss	D30/156
D600,092	S *	9/2009	Peterson et al.	D8/107
D604,580	S *	11/2009	Robinson et al.	D8/52
D619,870	S *	7/2010	Garcia et al.	D8/107
D632,856	S *	2/2011	Quinlan	D32/41
D632,858	S *	2/2011	Sgroi et al.	D32/41
7,946,202	B2 *	5/2011	Lin	81/427.5
D639,132	S *	6/2011	Demers et al.	D8/107
D648,995	S *	11/2011	Chang	D8/52
D680,398	S *	4/2013	Ritter	D8/52
2002/0033079	A1 *	3/2002	Zurbuchen et al.	81/427.5
2007/0169594	A1 *	7/2007	Reckhart	81/418
2012/0000019	A1 *	1/2012	Steele et al.	7/107

* cited by examiner

Primary Examiner — Deanna L Pratt

Assistant Examiner — Harold Blackwell

(74) *Attorney, Agent, or Firm* — Alix, Yale & Ristas, LLP

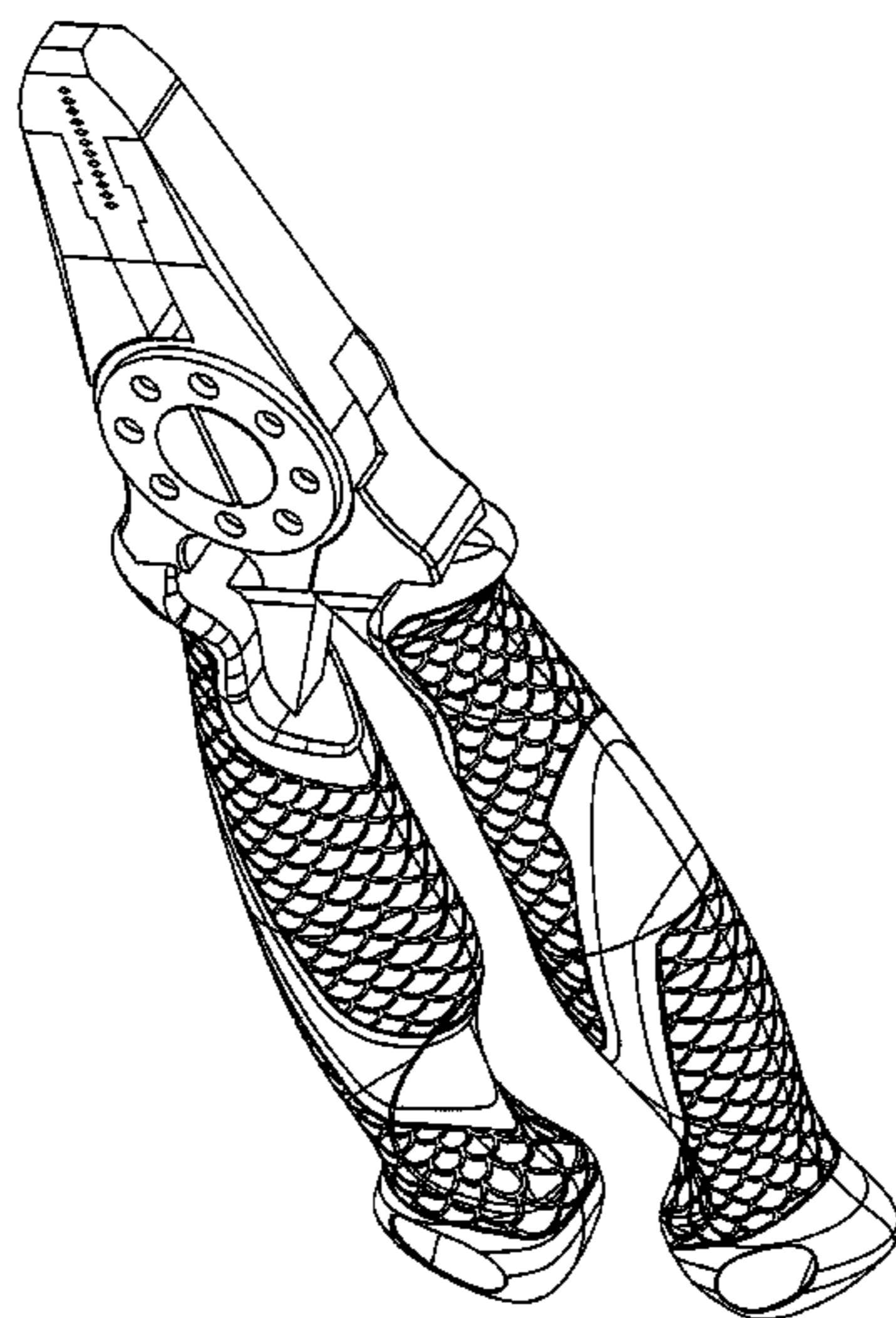
(57) **CLAIM**

The ornamental design for crimper, as shown and described.

DESCRIPTION

FIG. 1 is a perspective view of the crimper;
FIG. 2 is a second perspective view thereof;
FIG. 3 is a front view thereof;
FIG. 4 is a rear view thereof;
FIG. 5 is a right side view thereof;
FIG. 6 is a left side view thereof;
FIG. 7 is a top plan view thereof; and,
FIG. 8 is a bottom plan view thereof.

1 Claim, 5 Drawing Sheets



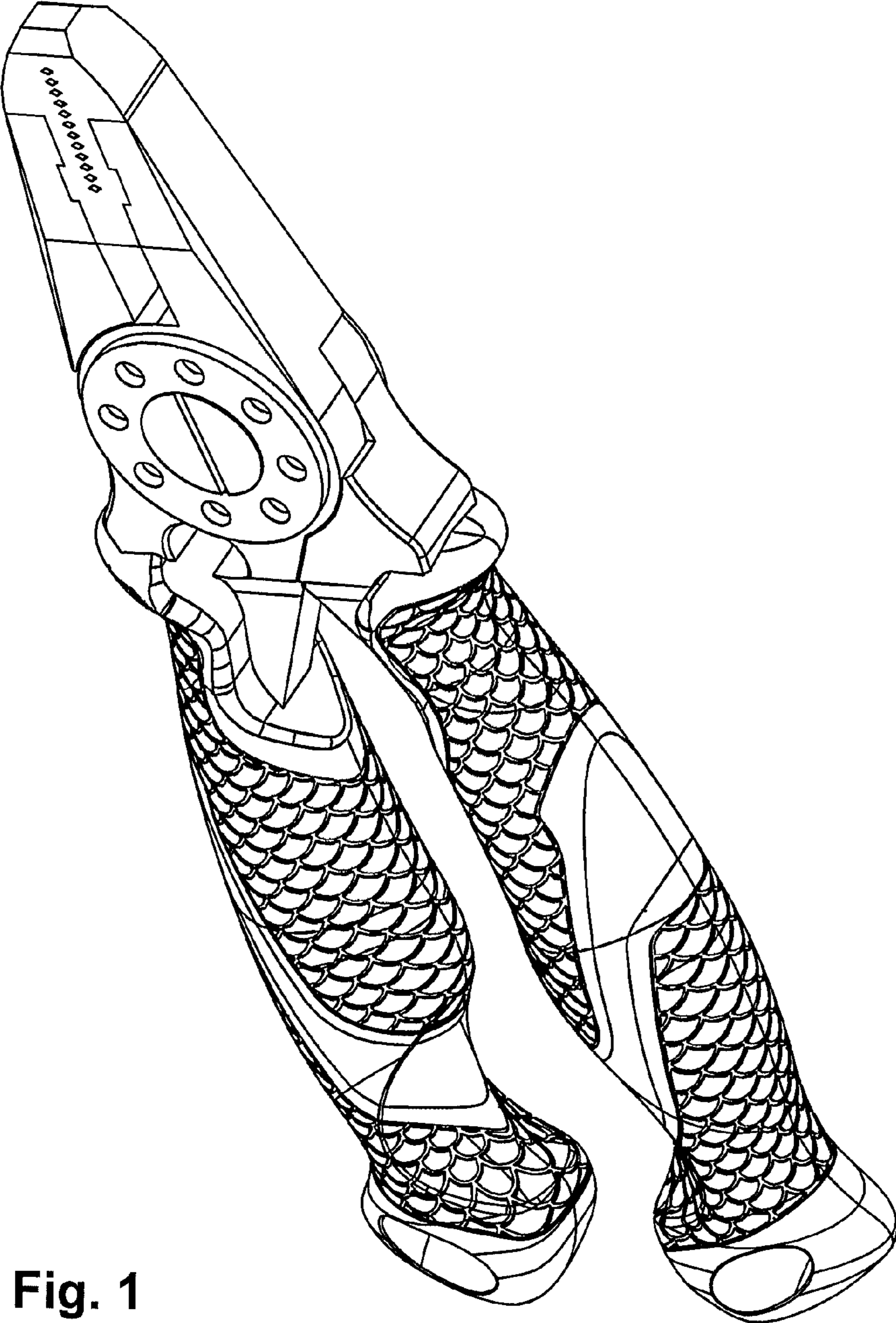


Fig. 1

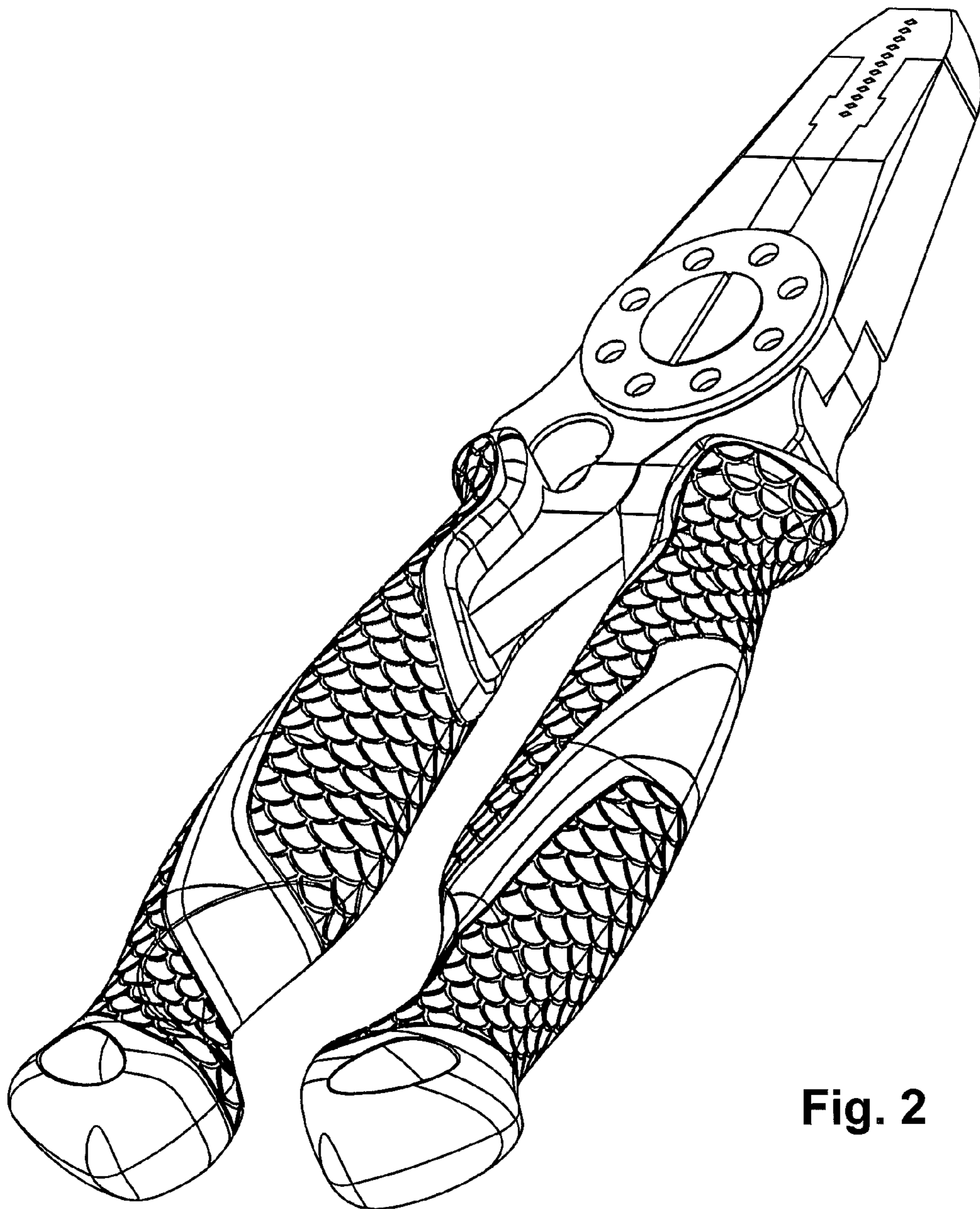


Fig. 2

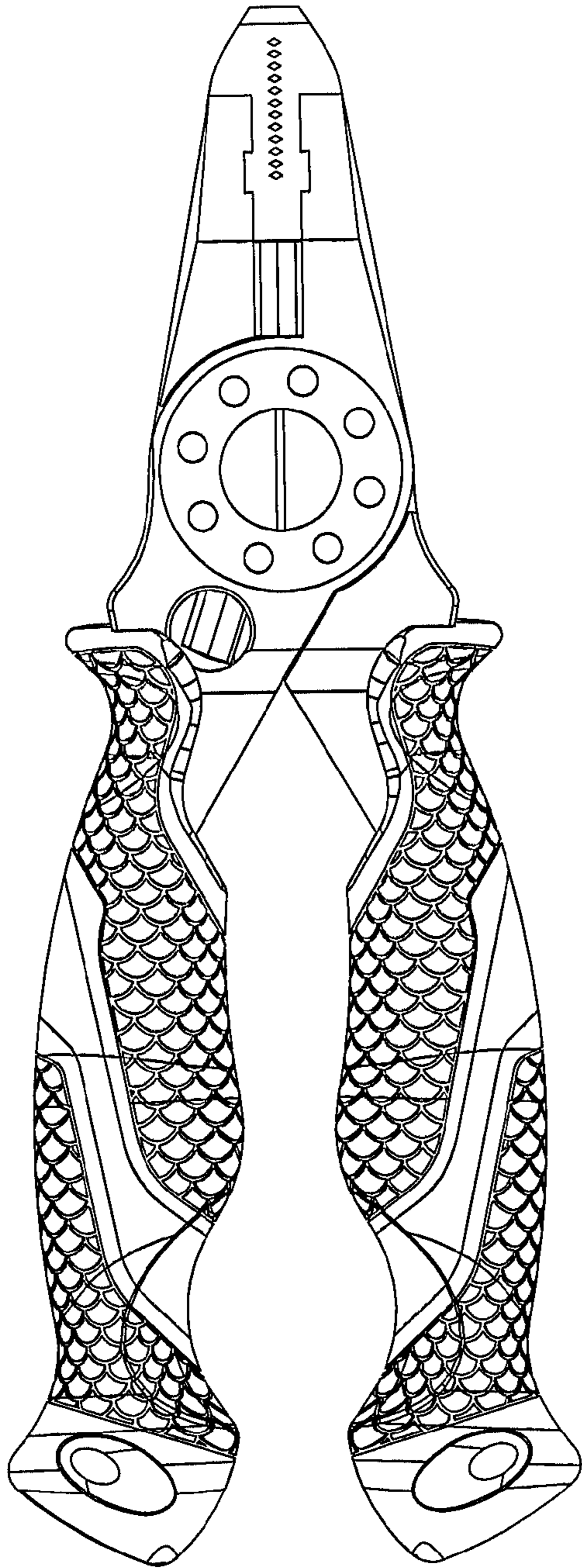


Fig. 3

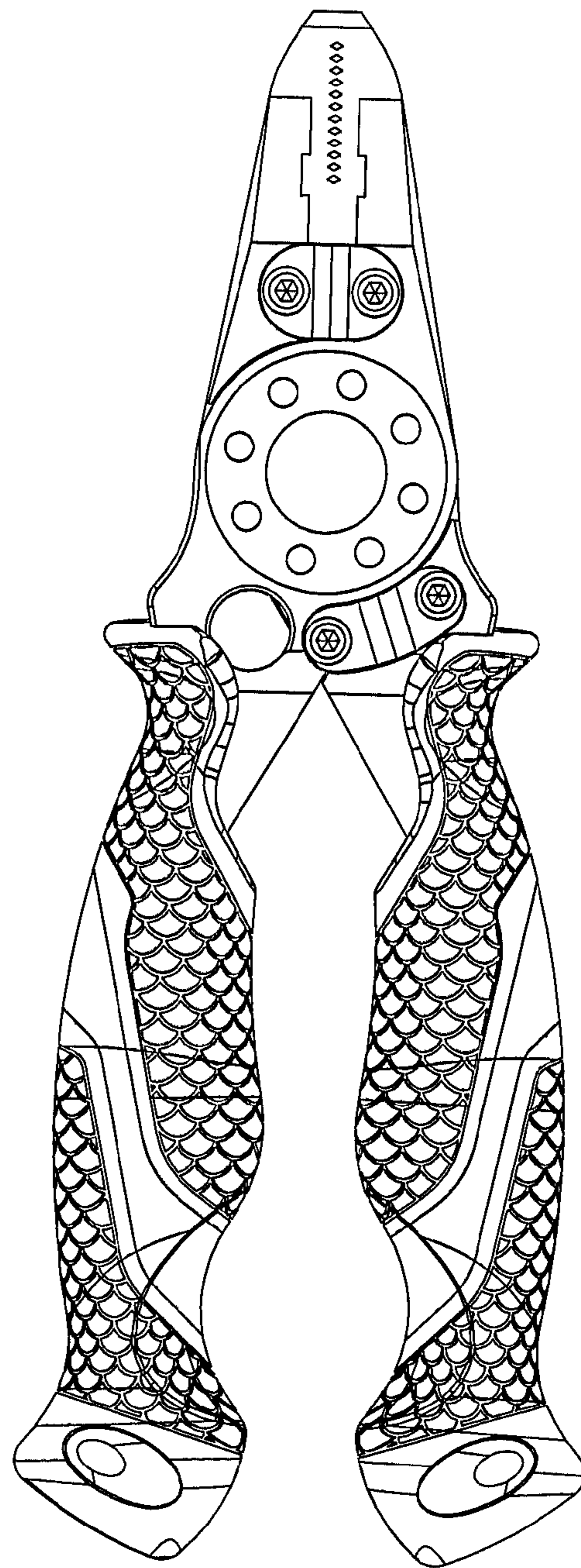


Fig. 4

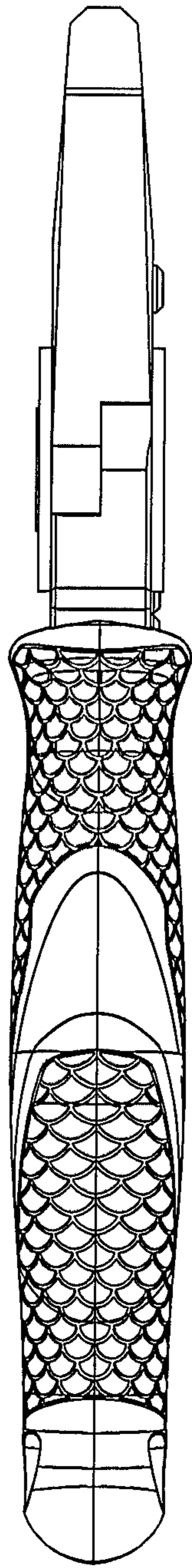


Fig. 5

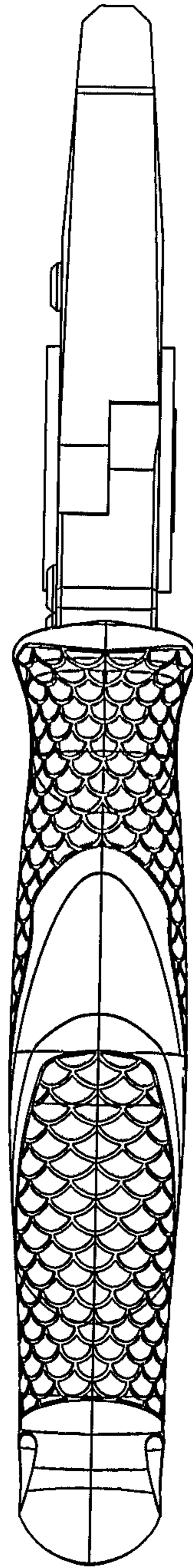


Fig. 6

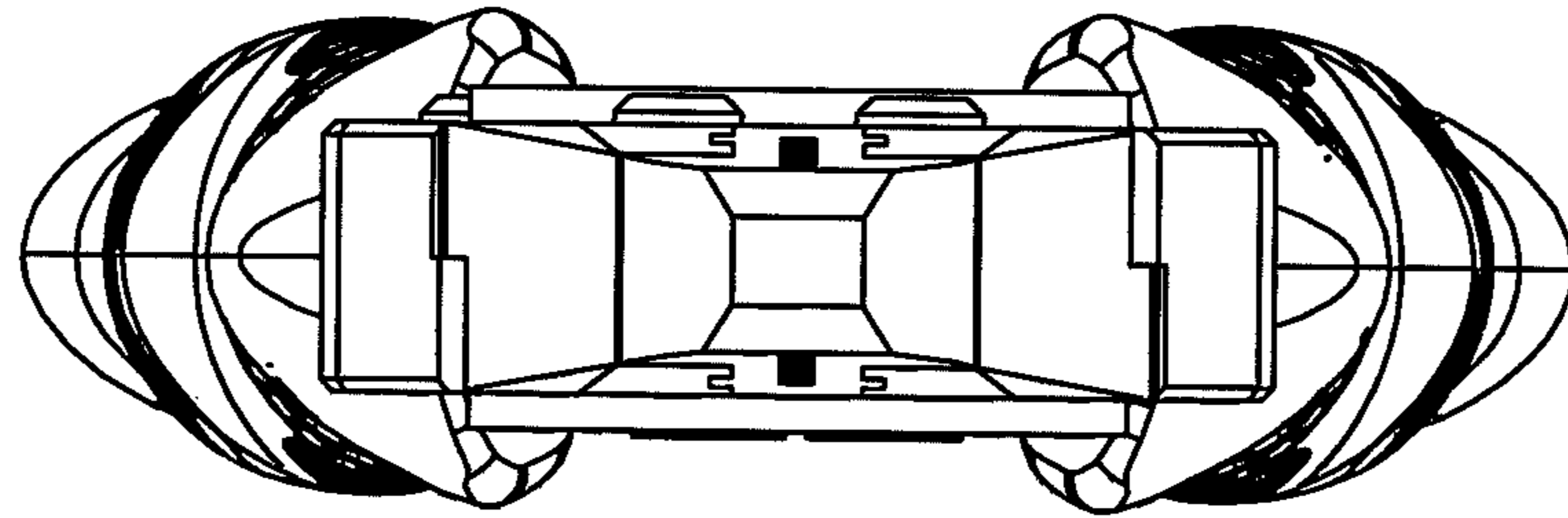


Fig. 7

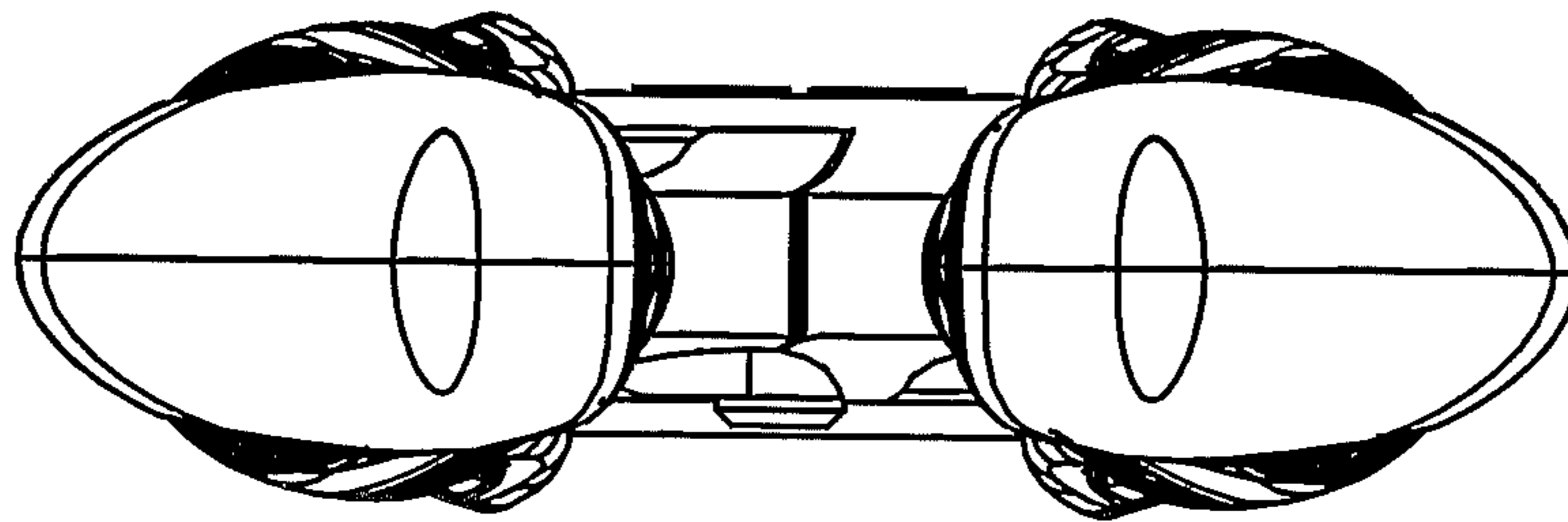


Fig. 8