



US00D722849S

(12) **United States Design Patent**  
**Weinblut**

(10) **Patent No.:** **US D722,849 S**

(45) **Date of Patent:** **\*\* Feb. 24, 2015**

(54) **TOOL**

(71) Applicant: **M&Y Trading Corp.**, Carteret, NJ (US)

(72) Inventor: **Ronnie Weinblut**, Bergenfield, NJ (US)

(73) Assignee: **M & Y Trading Corp.**, Carteret, NJ (US)

(\*\*) Term: **14 Years**

(21) Appl. No.: **29/440,909**

(22) Filed: **Dec. 28, 2012**

(51) **LOC (10) Cl.** ..... **08-05**

(52) **U.S. Cl.**  
USPC ..... **D8/52**

(58) **Field of Classification Search**  
CPC ..... B21F 1/002  
USPC ..... D8/52, 55, 56, 58, 107; 81/417,  
81/436-440, 177.1, 489, 427.5, 380-409,  
81/423; 16/426; 72/409.16, 331; D24/153;  
29/270, 515

See application file for complete search history.

(56) **References Cited**

**U.S. PATENT DOCUMENTS**

4,403,497	A *	9/1983	Matteucci	.....	72/409.16
D283,841	S *	5/1986	Kurz	.....	D24/153
5,826,467	A *	10/1998	Huang	.....	81/302
D406,520	S *	3/1999	Bunzel et al.	.....	D8/107
D443,495	S *	6/2001	Wang	.....	D8/107
6,282,995	B1 *	9/2001	Lin	.....	81/423
D464,554	S *	10/2002	Chen	.....	D8/107
7,343,939	B1 *	3/2008	Sheriff	.....	140/102.5

7,730,811	B2 *	6/2010	Robinson et al.	.....	81/423
8,087,138	B2 *	1/2012	Gupta	.....	29/270
2009/0235510	A1 *	9/2009	Gupta	.....	29/515
2014/0182348	A1 *	7/2014	Weinblut et al.	.....	72/331
2014/0251492	A1 *	9/2014	Bullard	.....	140/102.5

**OTHER PUBLICATIONS**

beadaholique.com, Beadsmith 1-Step Looper Pliers, No Date, Online, <<http://www.beadaholique.com/p-45948-beadsmith-1-step-looper-pliers-create-eye-pins-1-Step-Looperbend-trim-wire.aspx>>, 2014 Beadaholique, Inc.\*

\* cited by examiner

*Primary Examiner* — Ian Simmons

*Assistant Examiner* — Harold Blackwell, II

(74) *Attorney, Agent, or Firm* — Stern & Schurin LLP

(57) **CLAIM**

The ornamental design for a tool, as shown and described.

**DESCRIPTION**

FIG. 1 is a top, front and left-side perspective view showing my new design of a tool;

FIG. 2 is a bottom, front and right-side perspective view thereof;

FIG. 3 is a top plan view thereof;

FIG. 4 is a bottom plan view thereof;

FIG. 5 is left side view thereof;

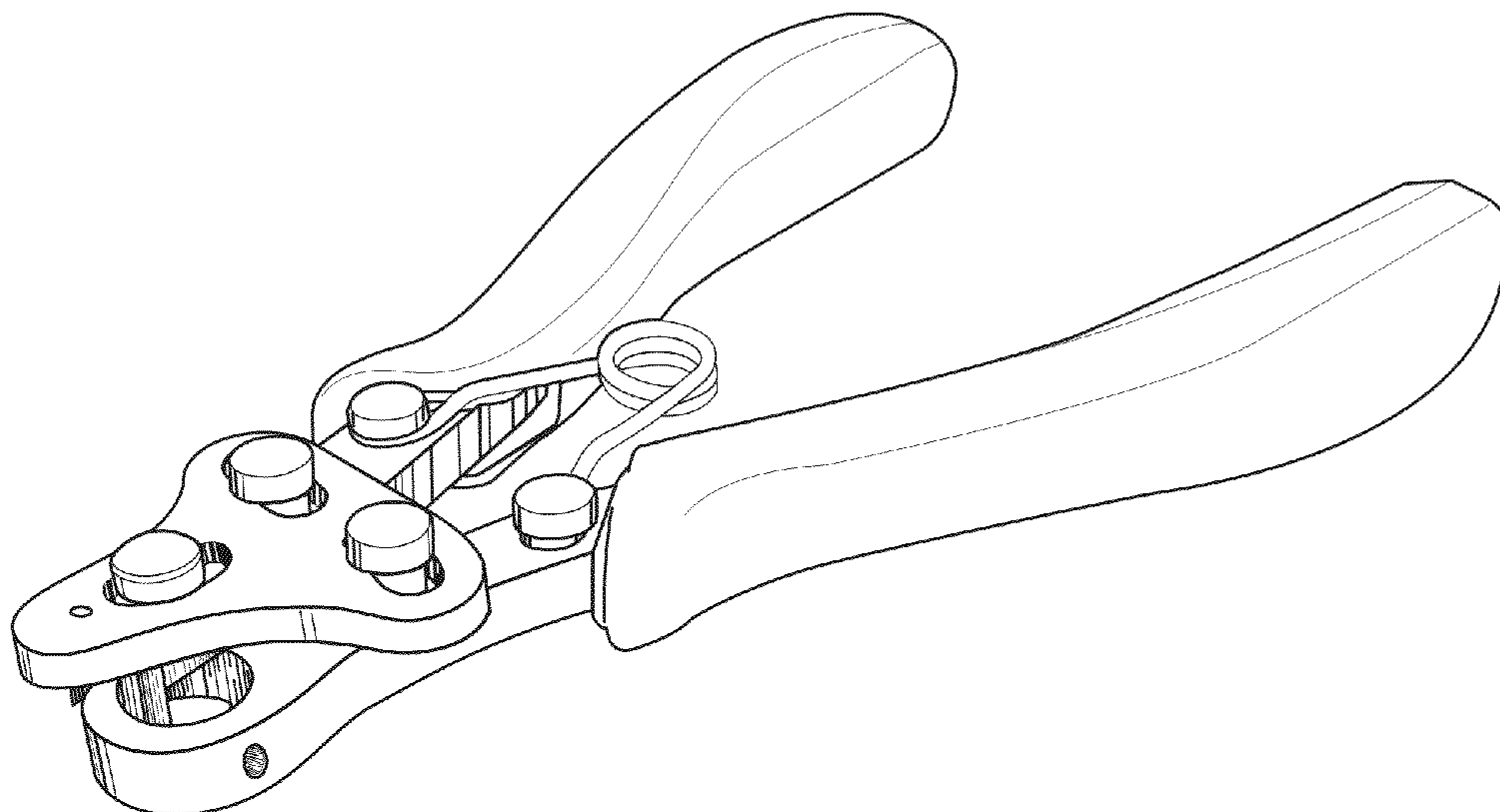
FIG. 6 is a right side view thereof;

FIG. 7 is a front elevational view thereof; and,

FIG. 8 is a rear elevational view thereof.

The broken lines showing the environment in some of the figures are for illustrative purpose only and form no part of the claimed design.

**1 Claim, 8 Drawing Sheets**



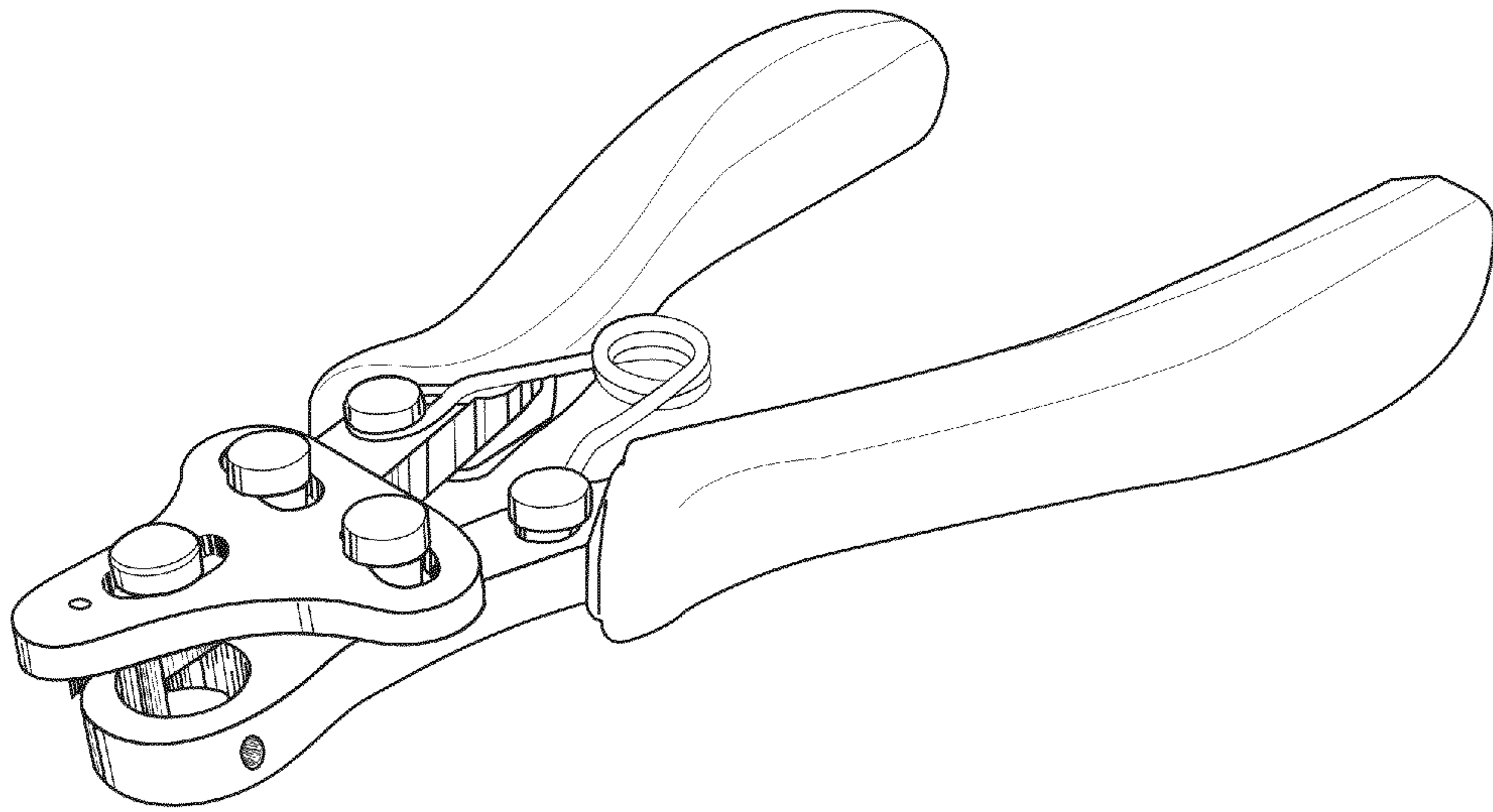


Fig. 1

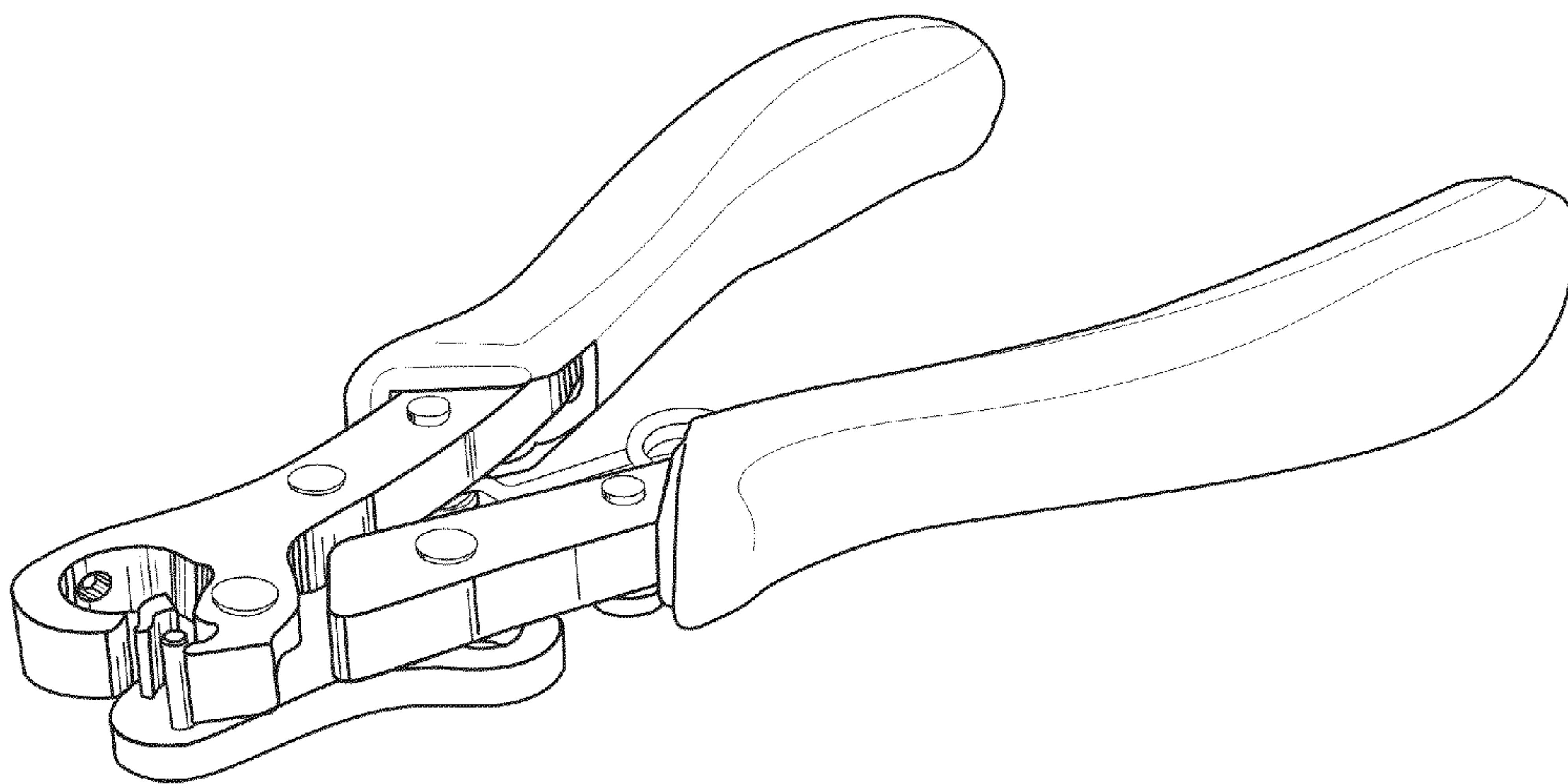


Fig. 2

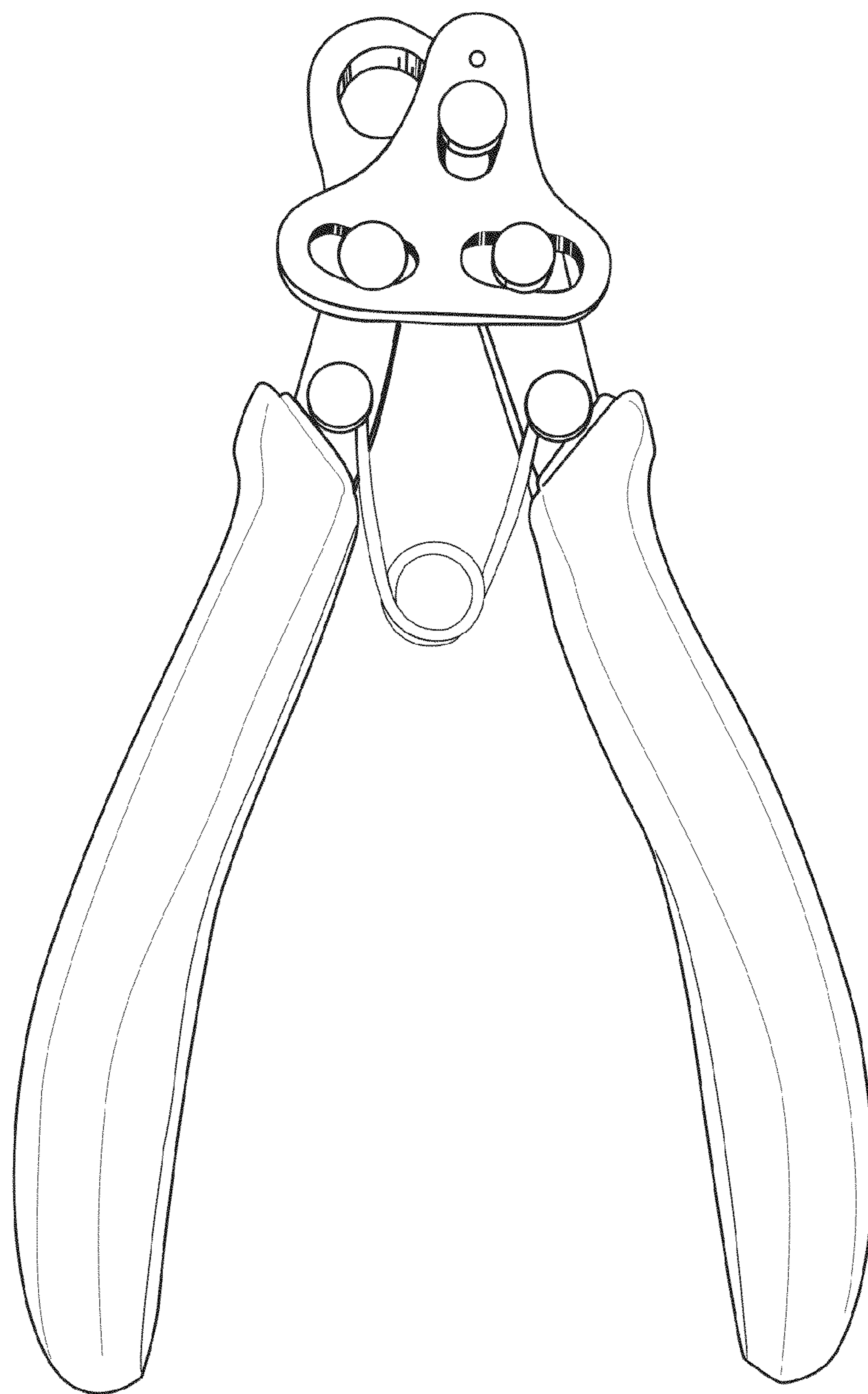


Fig. 3

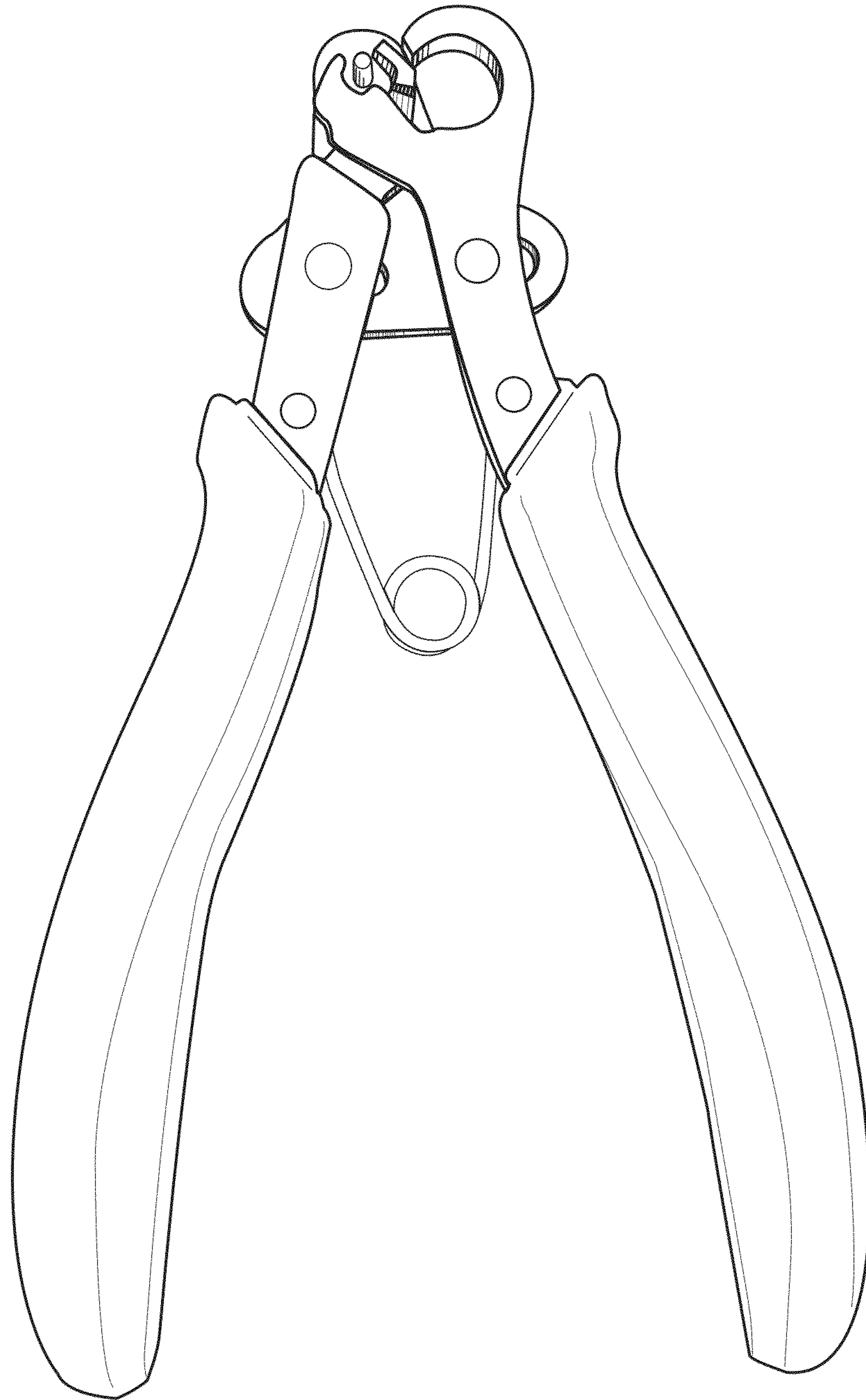


Fig. 4



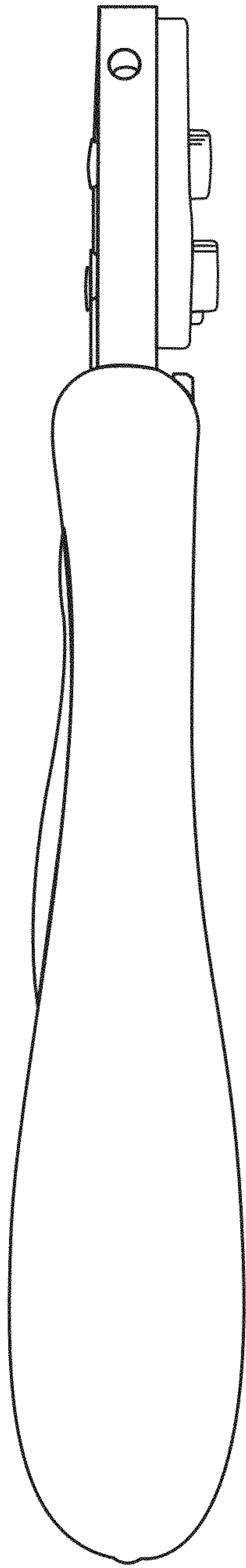


Fig. 5

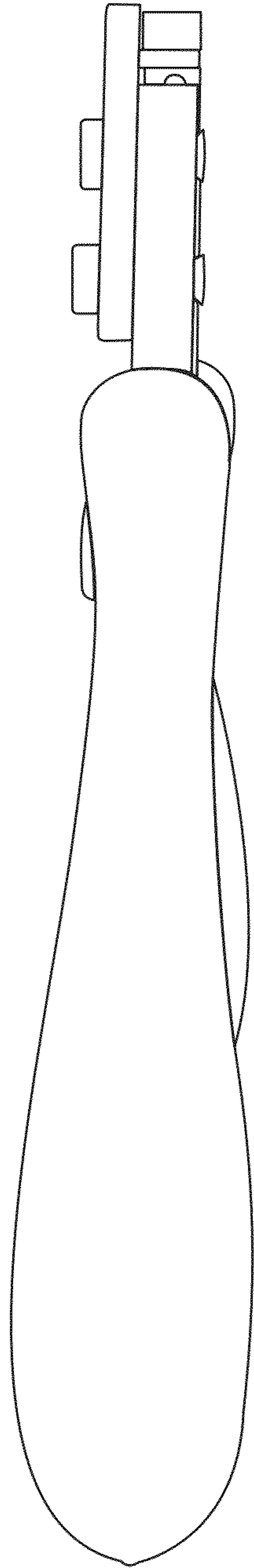


Fig. 6

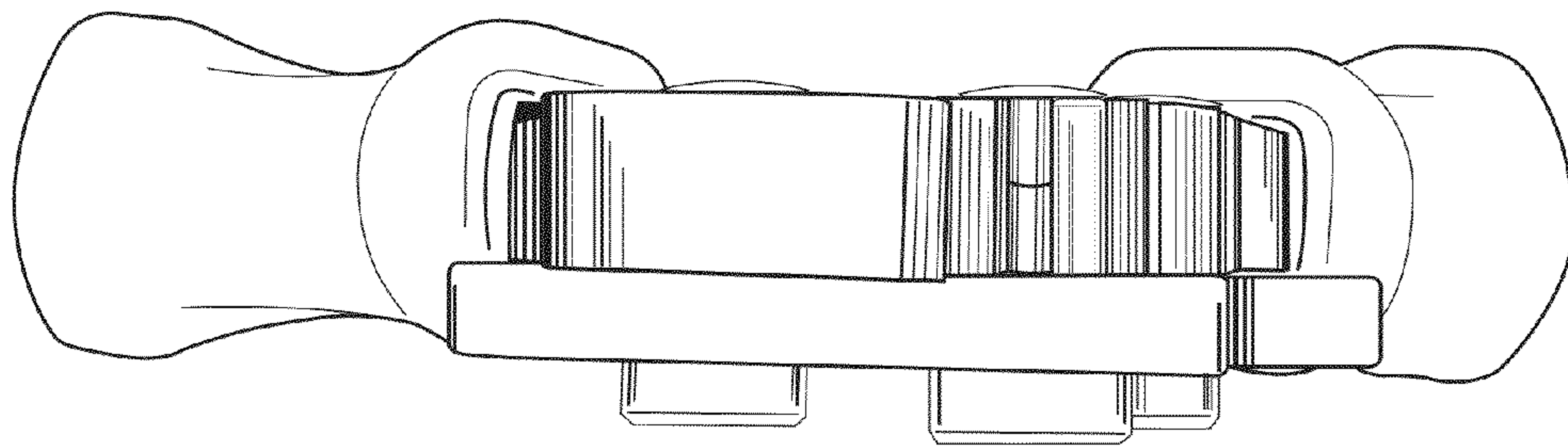


Fig. 7



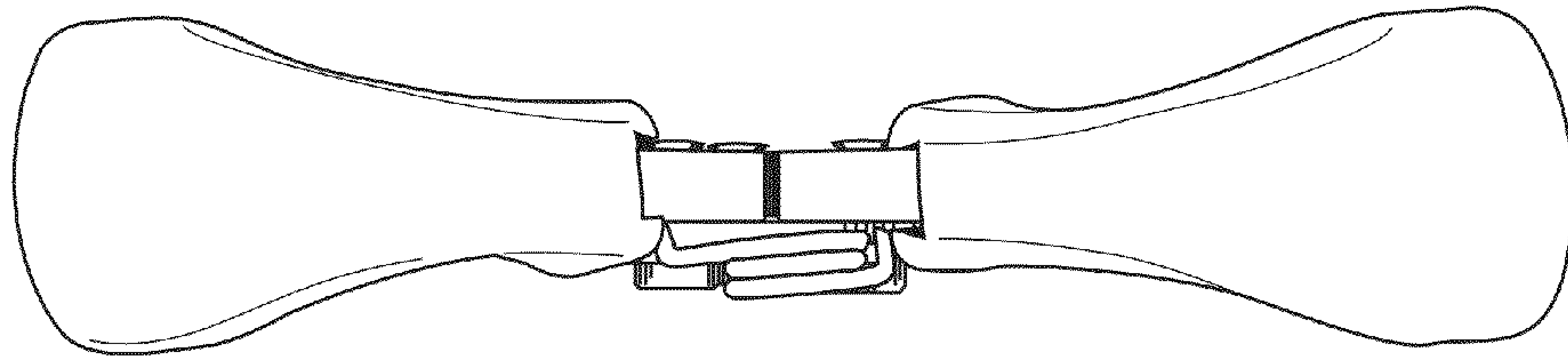


Fig. 8