



US00D722848S

(12) **United States Design Patent**
Li

(10) **Patent No.:** **US D722,848 S**

(45) **Date of Patent:** **** Feb. 24, 2015**

(54) **SNOWBALL CLAMP**

(71) Applicant: **Shantou Top Toys Co., Ltd**, Shantou,
Guangdong (CN)

(72) Inventor: **Fengchao Li**, Guangdong (CN)

(73) Assignee: **Shantou Top Toys Co., Ltd.**, Shantou
(CN)

(**) Term: **14 Years**

(21) Appl. No.: **29/476,855**

(22) Filed: **Dec. 18, 2013**

(51) **LOC (10) Cl.** **08-05**

(52) **U.S. Cl.**
USPC **D8/51; D8/52; D8/54**

(58) **Field of Classification Search**
USPC D21/453, 454, 698, 791, 811, 789, 484,
D21/498; D8/14, 51, 52, 105; D7/669, 670,
D7/672, 681; 425/318, 276, 278, 279, 282,
425/286; 249/170, 171, 172, 173
See application file for complete search history.

(56) **References Cited**

U.S. PATENT DOCUMENTS

436,818	A *	9/1890	Pickering	425/318
2,957,199	A *	10/1960	Bentley	425/278
4,859,167	A *	8/1989	Maerz et al.	425/276
5,080,572	A *	1/1992	Sage	425/276
D323,772	S *	2/1992	Sage	D8/51
D342,002	S *	12/1993	Sage	D8/52

D567,602	S *	4/2008	Choy et al.	D8/14
7,815,429	B1 *	10/2010	Clark, Jr.	425/276
2009/0252822	A1 *	10/2009	Palmer	425/318

* cited by examiner

Primary Examiner — Ian Simmons

Assistant Examiner — Harold Blackwell, II

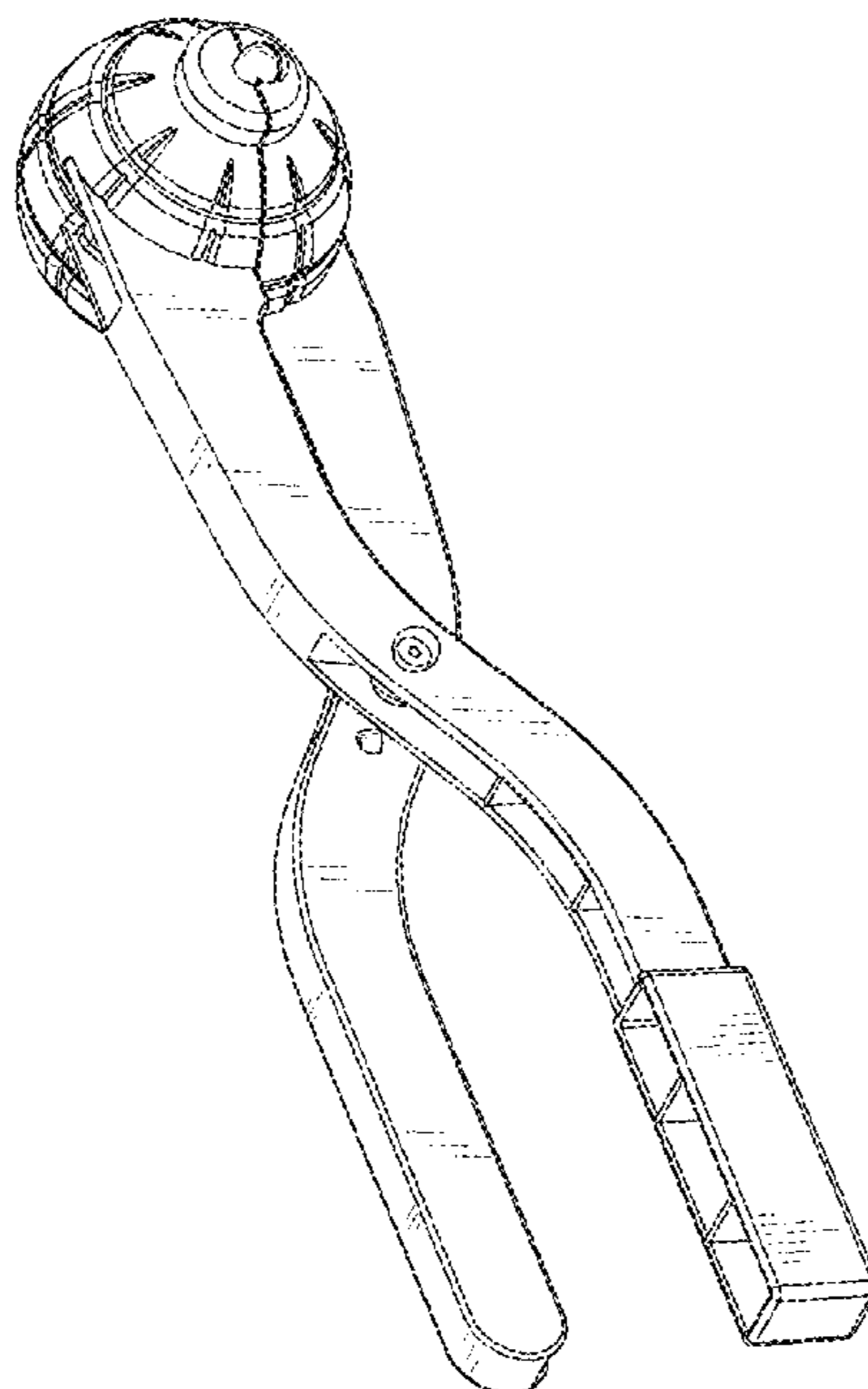
(57) **CLAIM**

The ornamental design for a snowball clamp, as shown and described.

DESCRIPTION

FIG. 1 is a perspective view of a snowball clamp of my new design;
 FIG. 2 is a perspective view of the snowball clamp shown in FIG. 1, with the snowball clamp being in use;
 FIG. 3 is a front elevation view of the snowball clamp shown in FIG. 1;
 FIG. 4 is a rear elevation view of the snowball clamp shown in FIG. 1;
 FIG. 5 is a left side view of the snowball clamp shown in FIG. 1;
 FIG. 6 is a right side view of the snowball clamp shown in FIG. 1;
 FIG. 7 is a top plan view of the snowball clamp shown in FIG. 1; and,
 FIG. 8 is a bottom plan view of the snowball clamp shown in FIG. 1.

1 Claim, 7 Drawing Sheets



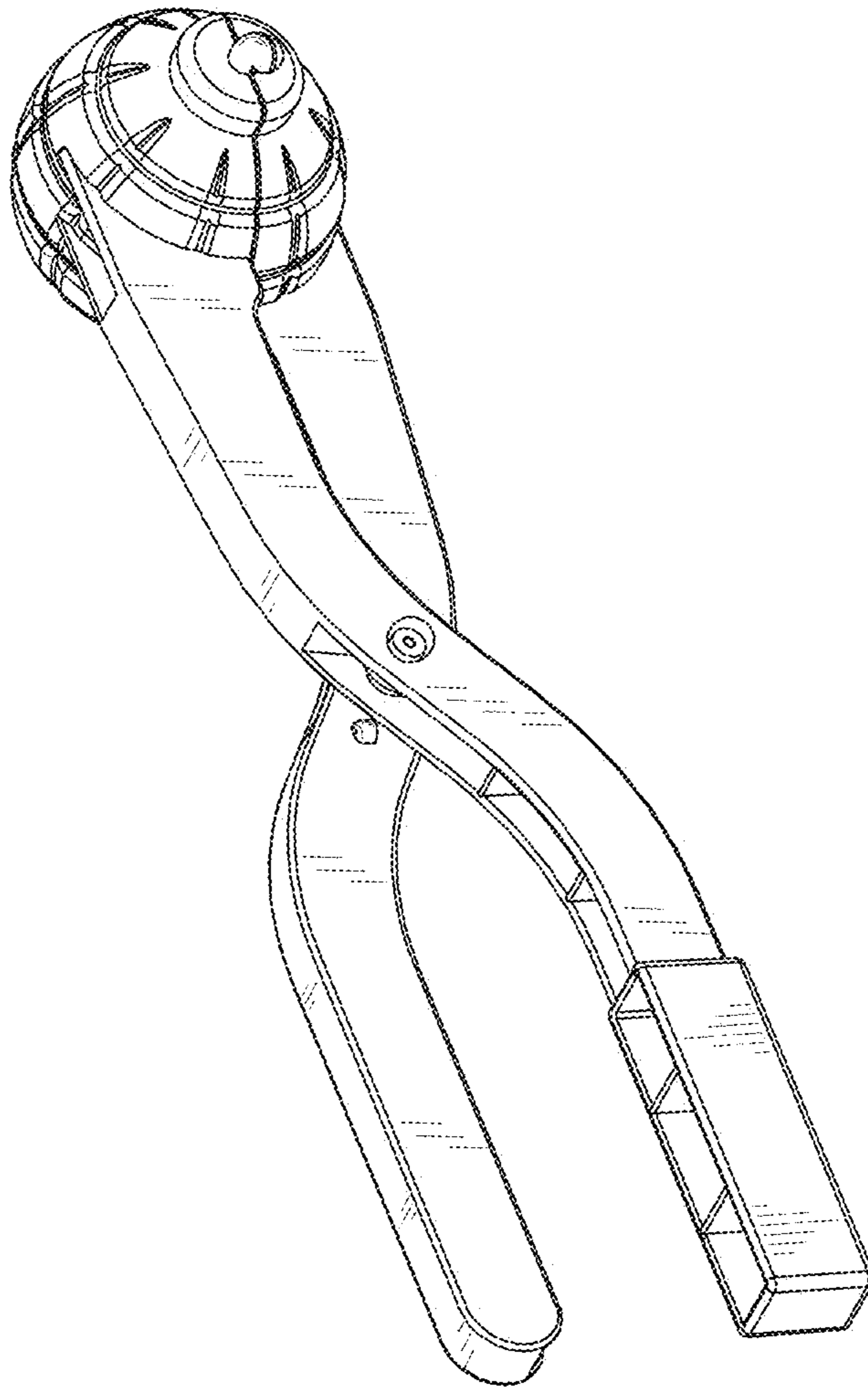


FIG. 1

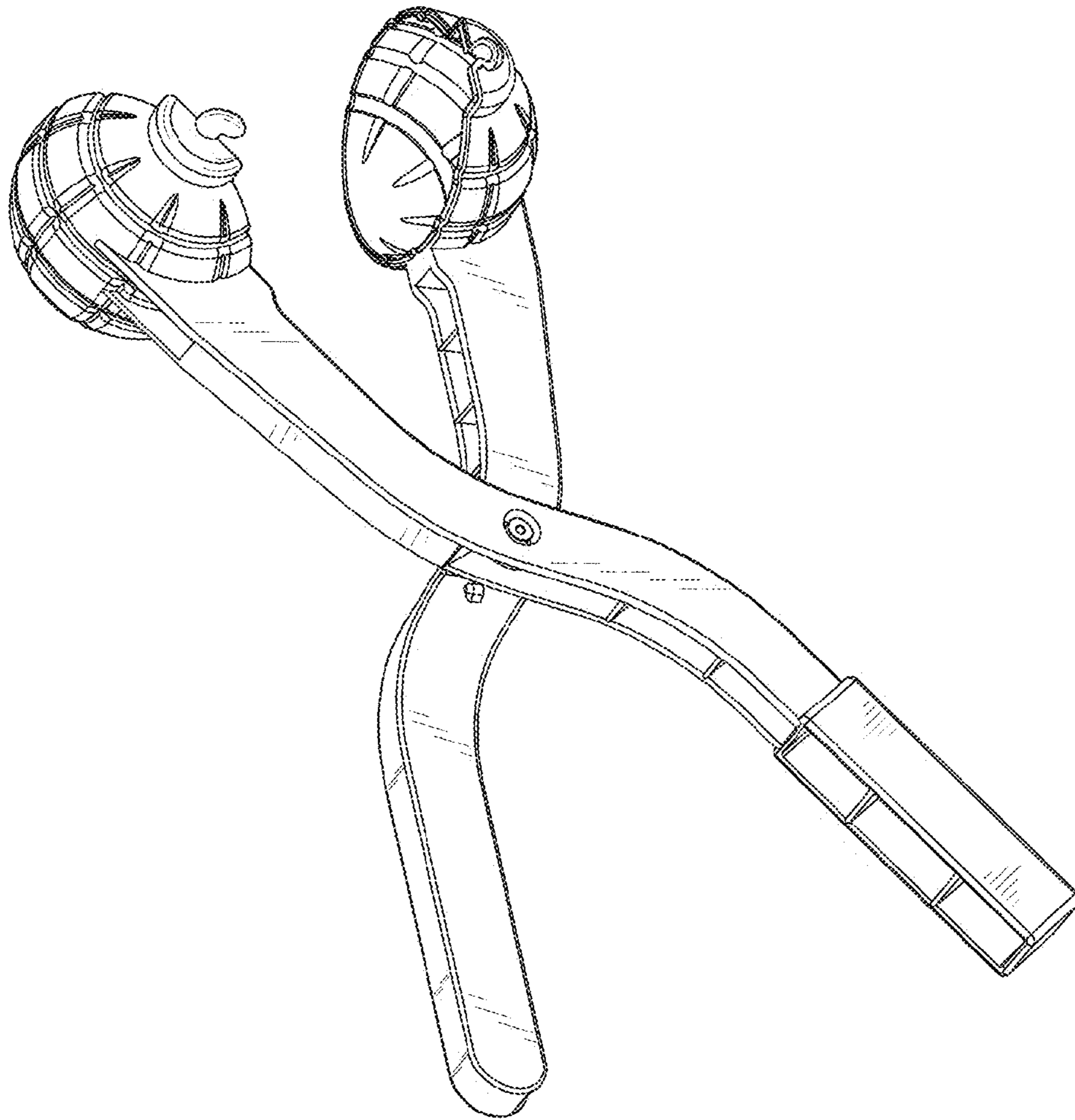


FIG.2

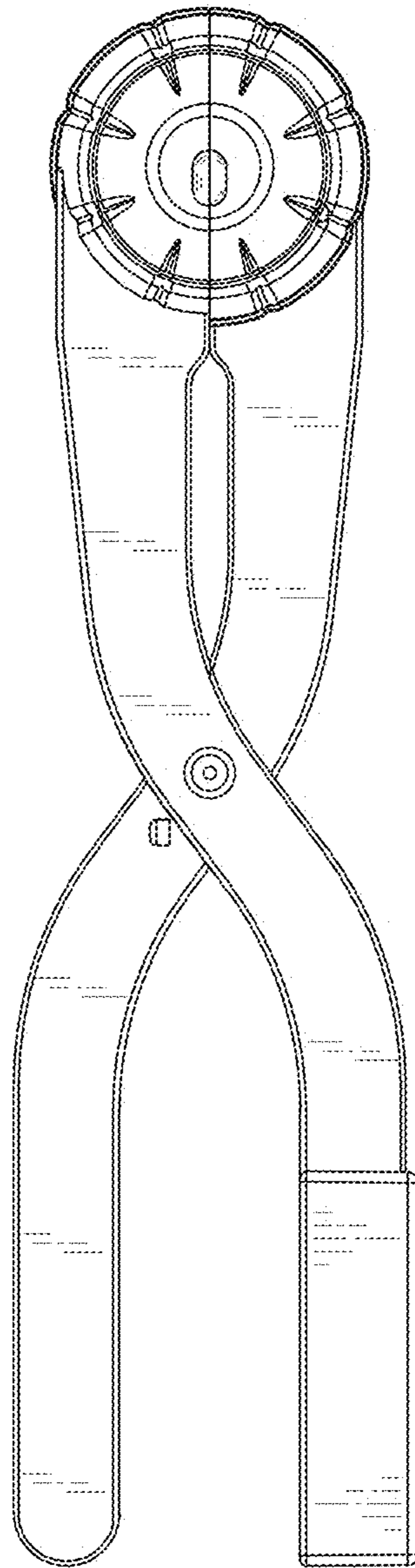


FIG.3

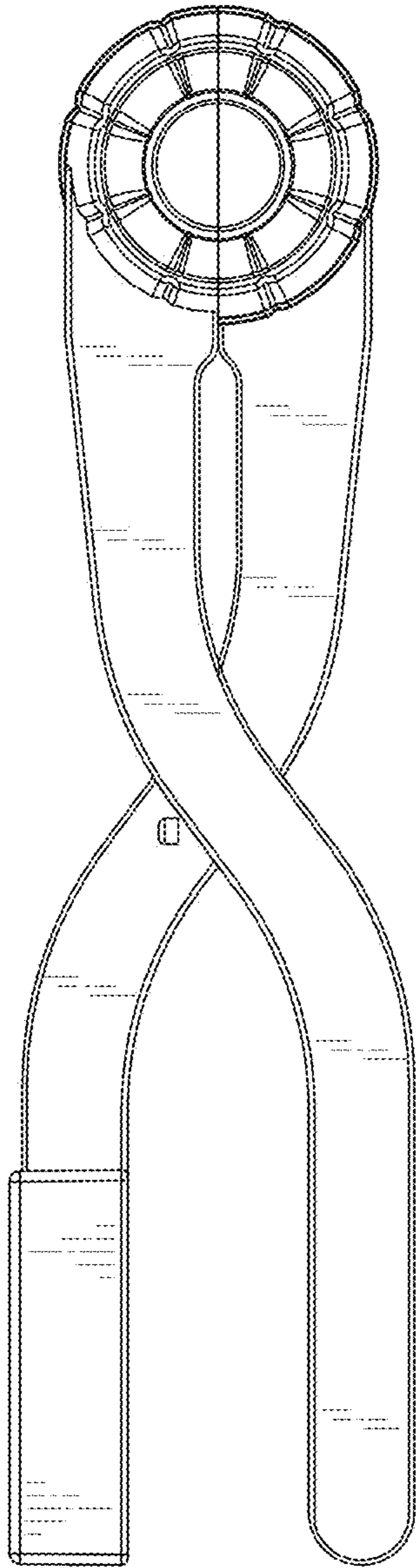


FIG.4

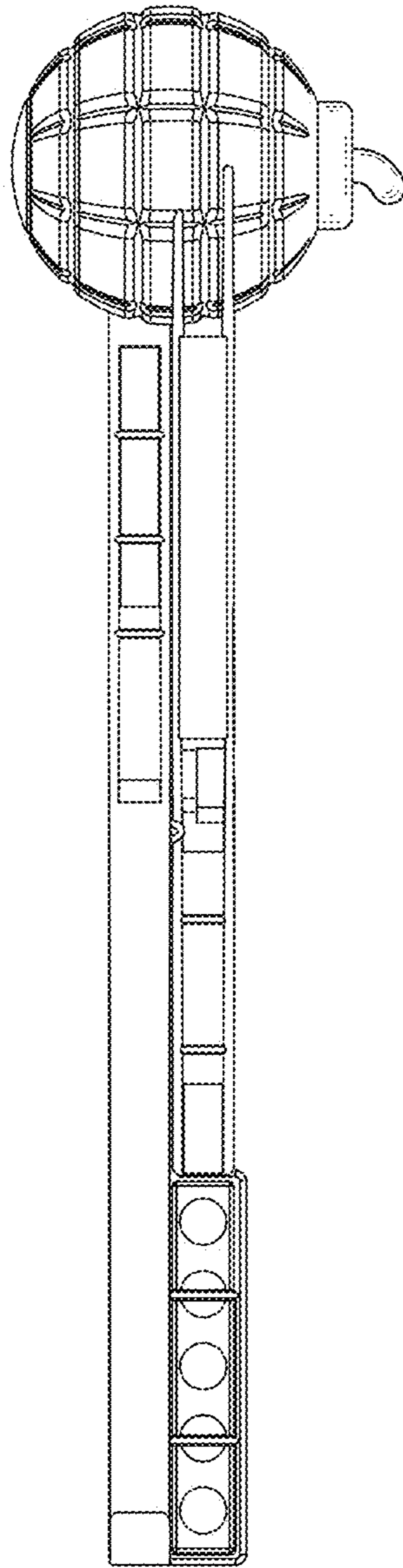


FIG.5

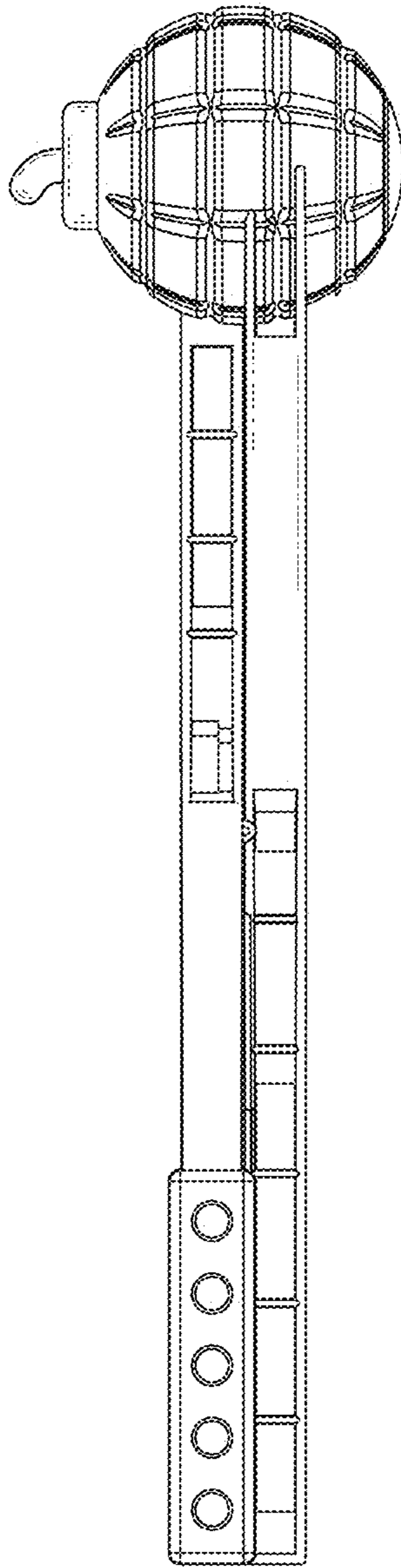


FIG.6

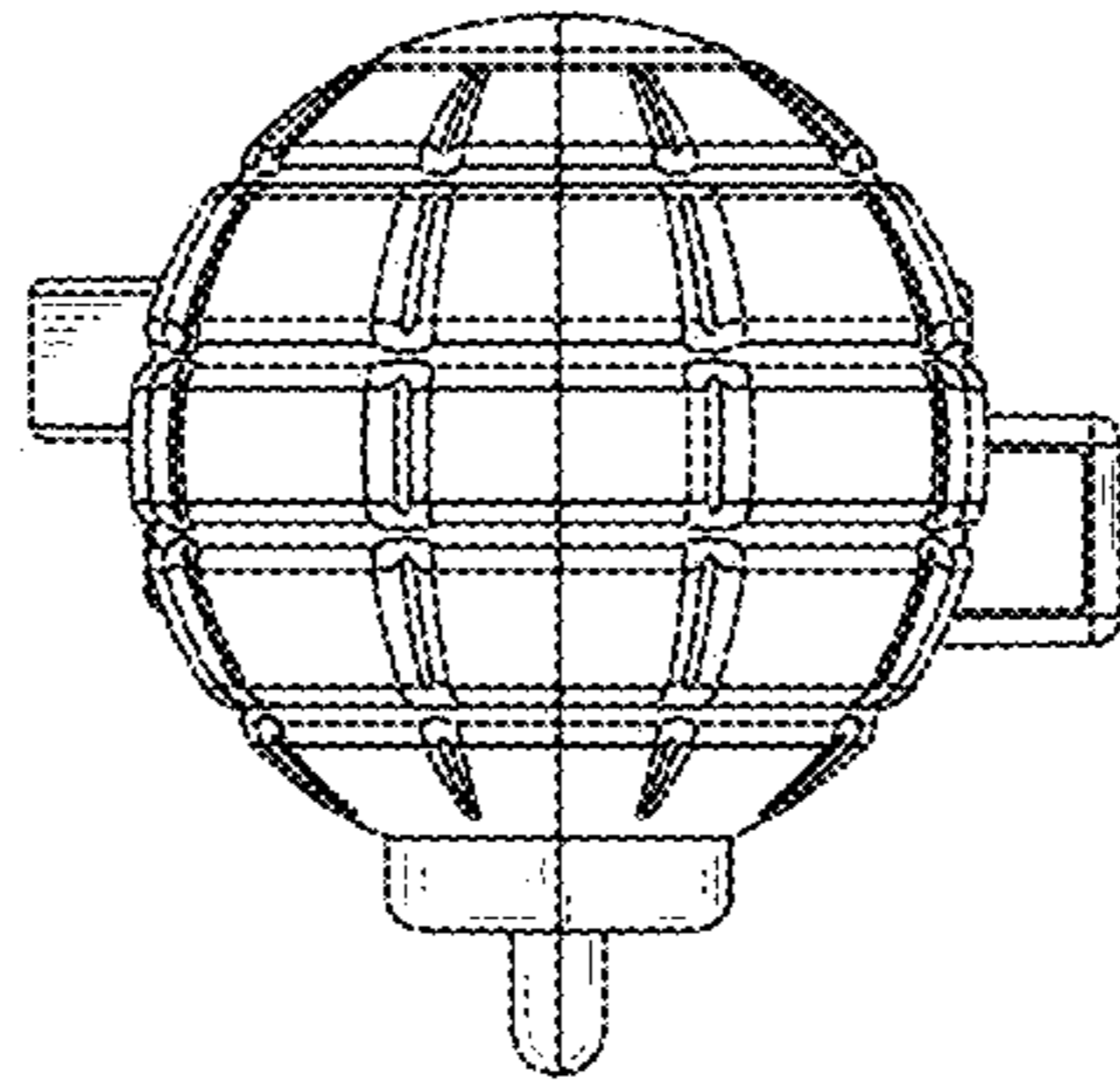


FIG. 7

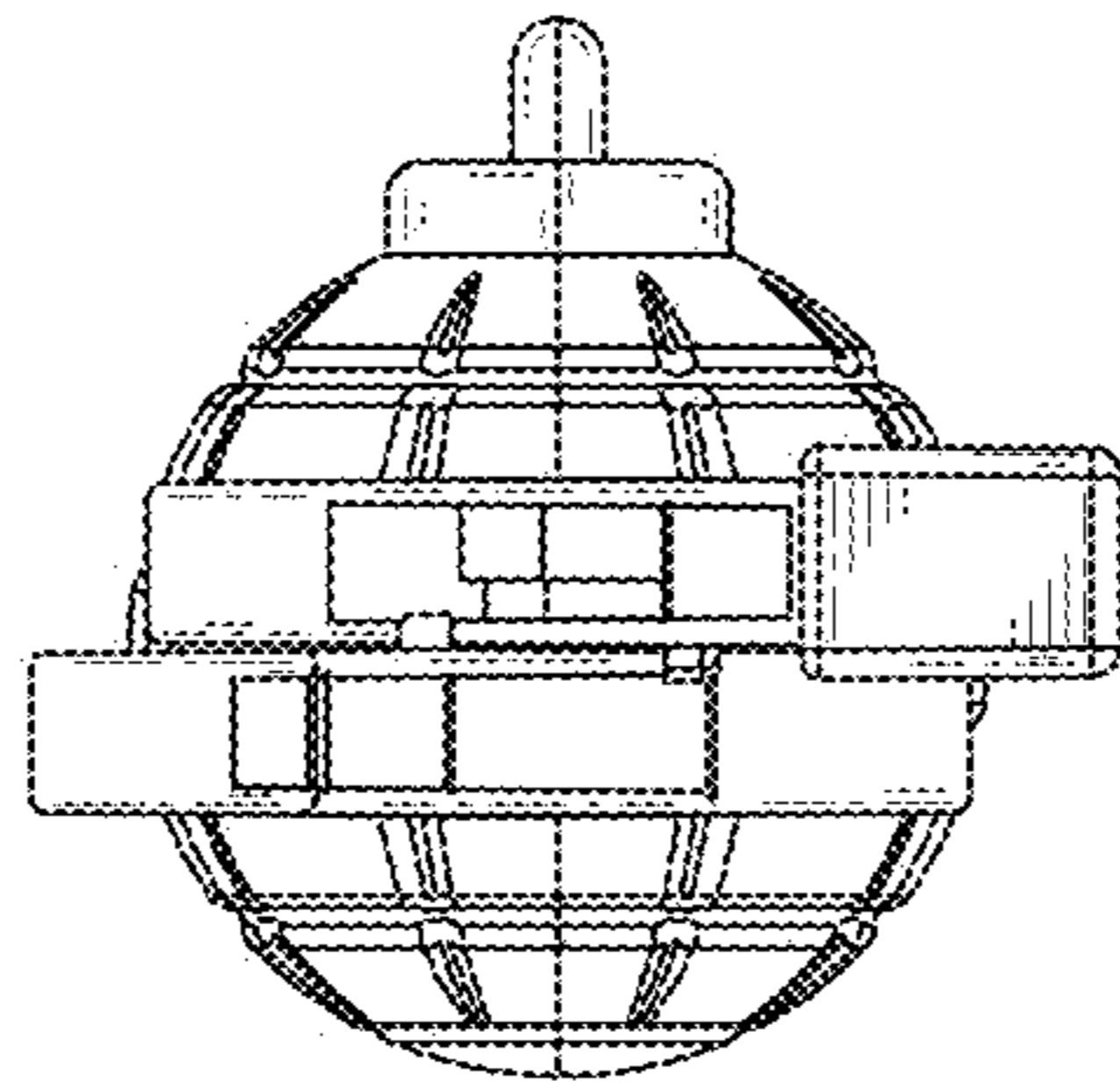


FIG. 8