



US00D722847S

(12) **United States Design Patent**  
**Lin**

(10) **Patent No.:** **US D722,847 S**

(45) **Date of Patent:** **\*\* Feb. 24, 2015**

(54) **TOOL HANDLE**

(71) Applicant: **Chih-Hung Lin**, Taichung (TW)

(72) Inventor: **Chih-Hung Lin**, Taichung (TW)

(\*\*) Term: **14 Years**

(21) Appl. No.: **29/490,850**

(22) Filed: **May 14, 2014**

(30) **Foreign Application Priority Data**

Nov. 15, 2013 (TW) ..... 102307385

(51) **LOC (10) CL.** ..... **08-05**

(52) **U.S. Cl.**  
USPC ..... **D8/25**

(58) **Field of Classification Search**

USPC ..... D8/21-29, 354, 107; 81/60, 177.1,  
81/177.85, 121.1, 124.3, 165-170, 110.1,  
81/176.2, 124.6, 176.1, 176.15, 177.2,  
81/186; 16/110.1; D15/144.1, 143;  
219/75, 227, 229, 121.16, 121.18

See application file for complete search history.

(56) **References Cited**

U.S. PATENT DOCUMENTS

D526,865 S *	8/2006	Liao	.....	D8/25
D558,544 S *	1/2008	Liao	.....	D8/25
D566,497 S *	4/2008	Wang	.....	D8/25
D613,568 S *	4/2010	Yu	.....	D8/25
D659,494 S *	5/2012	Lin	.....	D8/25
D665,239 S *	8/2012	Tillet	.....	D8/25

\* cited by examiner

*Primary Examiner* — Randall Gholson

(74) *Attorney, Agent, or Firm* — Muncy, Geissler, Olds & Lowe, P.C.

(57) **CLAIM**

I claim the ornamental design for a tool handle, as shown and described.

**DESCRIPTION**

FIG. 1 is a perspective view of a tool handle showing my new design;

FIG. 2 is a front elevational view thereof;

FIG. 3 is a rear elevational view thereof;

FIG. 4 is a left side view thereof;

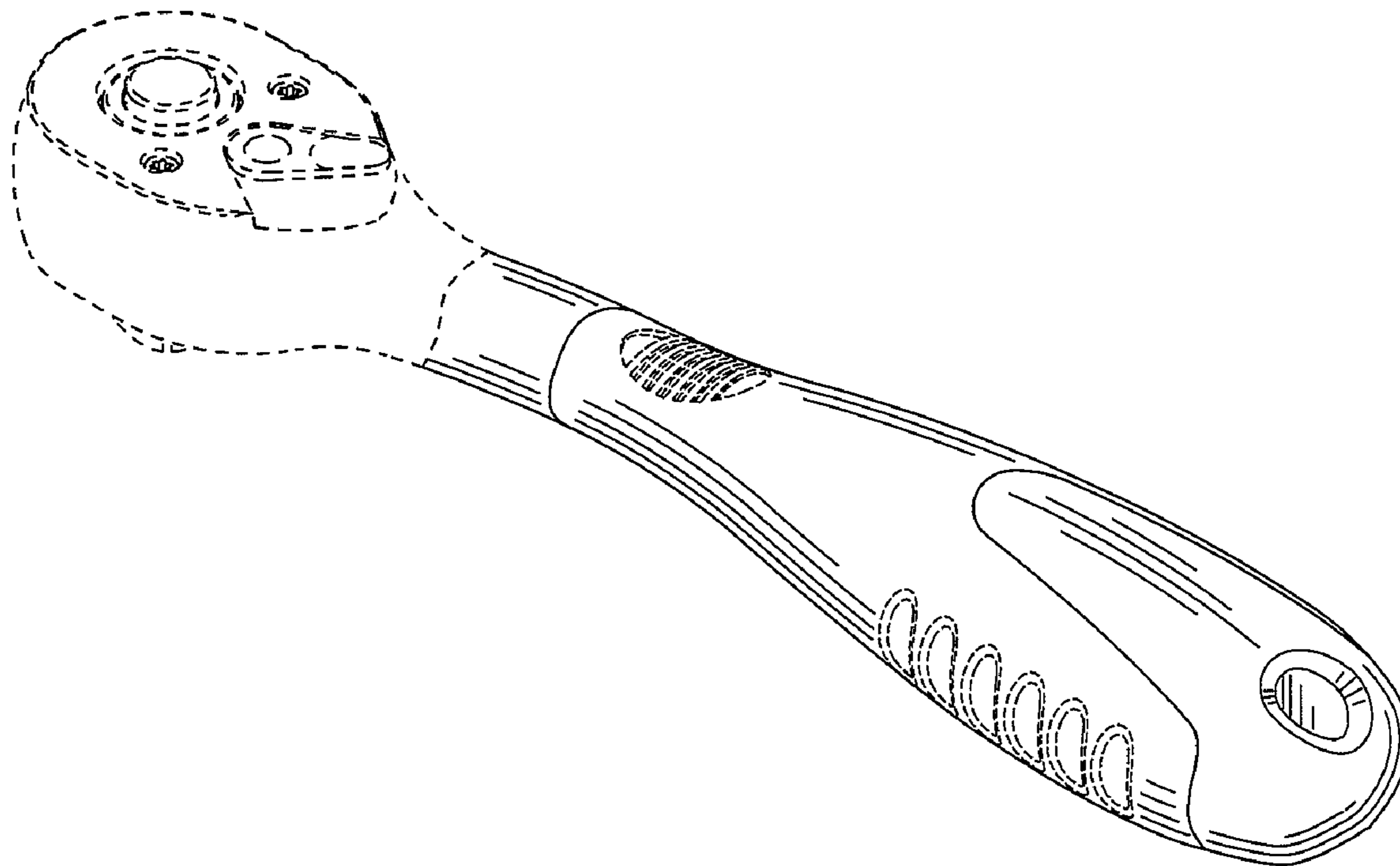
FIG. 5 is a right side view thereof;

FIG. 6 is a top plan view thereof; and,

FIG. 7 is a bottom plan view.

The features shown in broken lines depict environmental structure only and form no part of the claimed design.

**1 Claim, 4 Drawing Sheets**



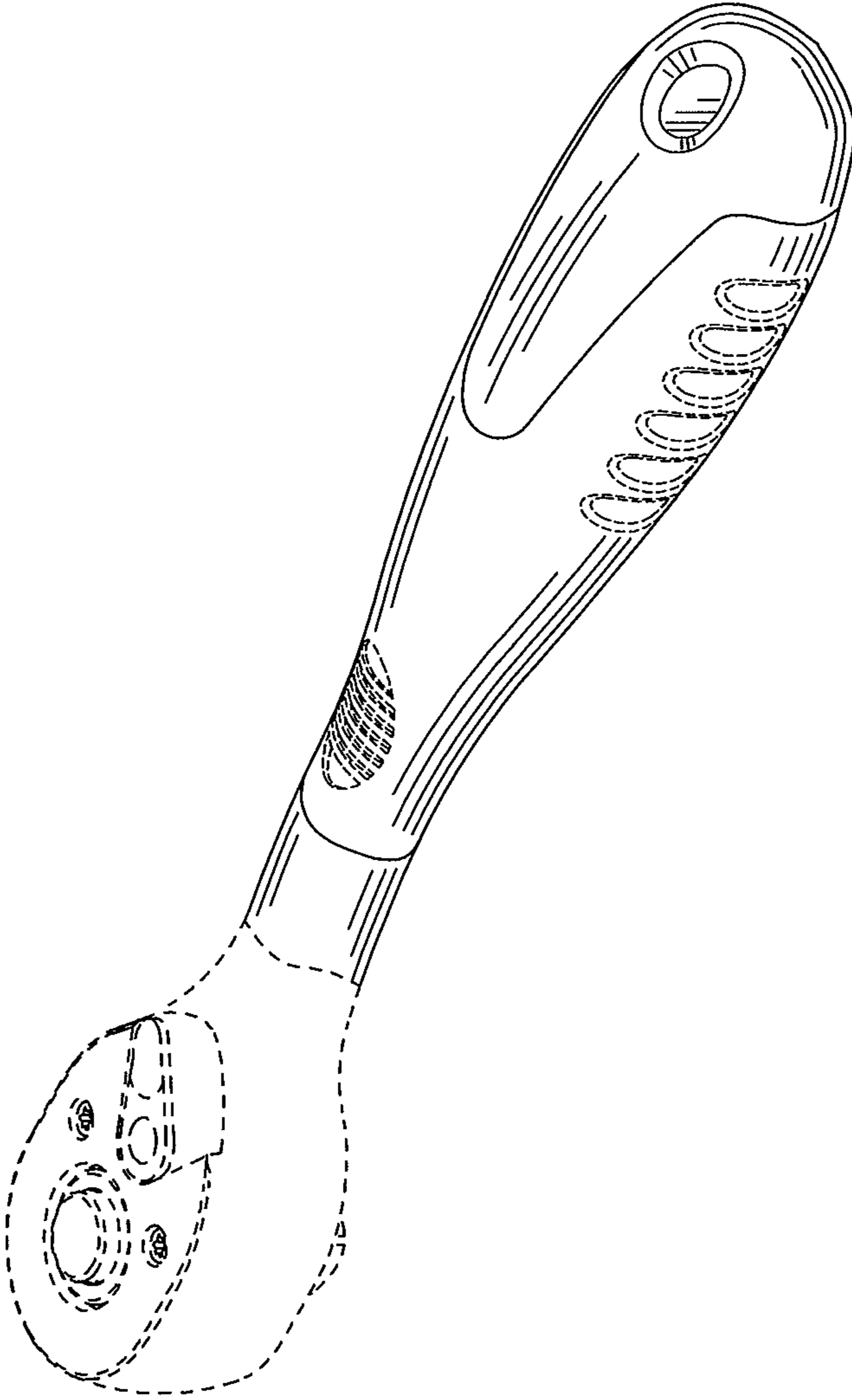


FIG. 1

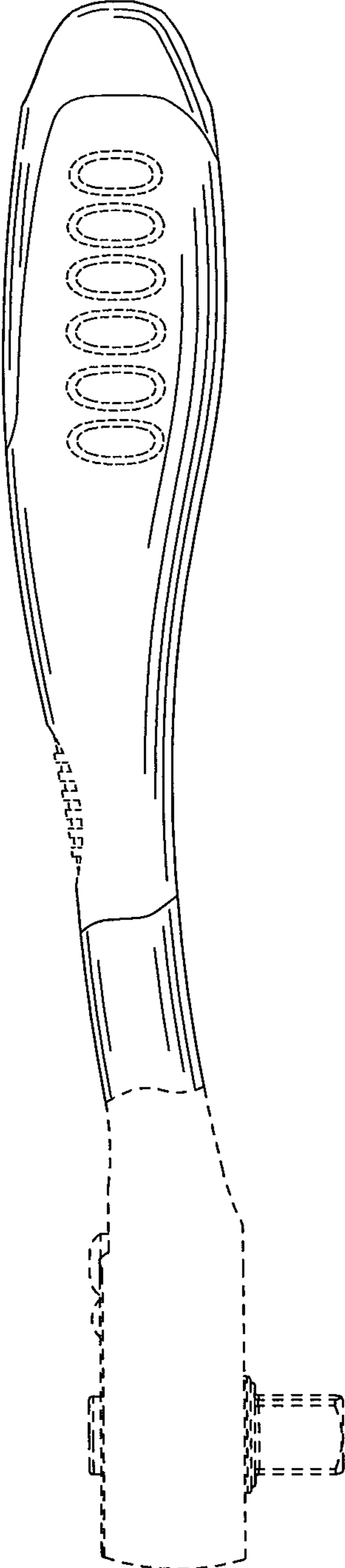


FIG. 2

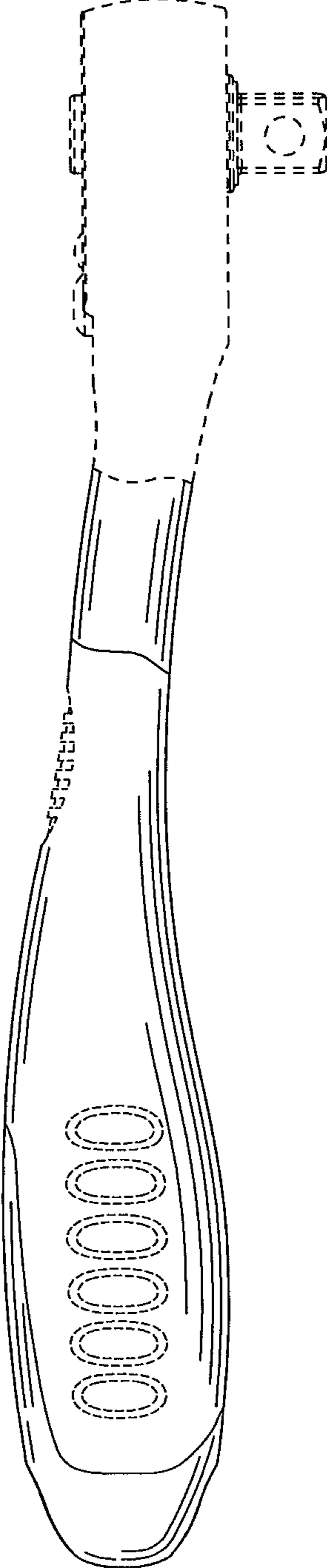


FIG. 3

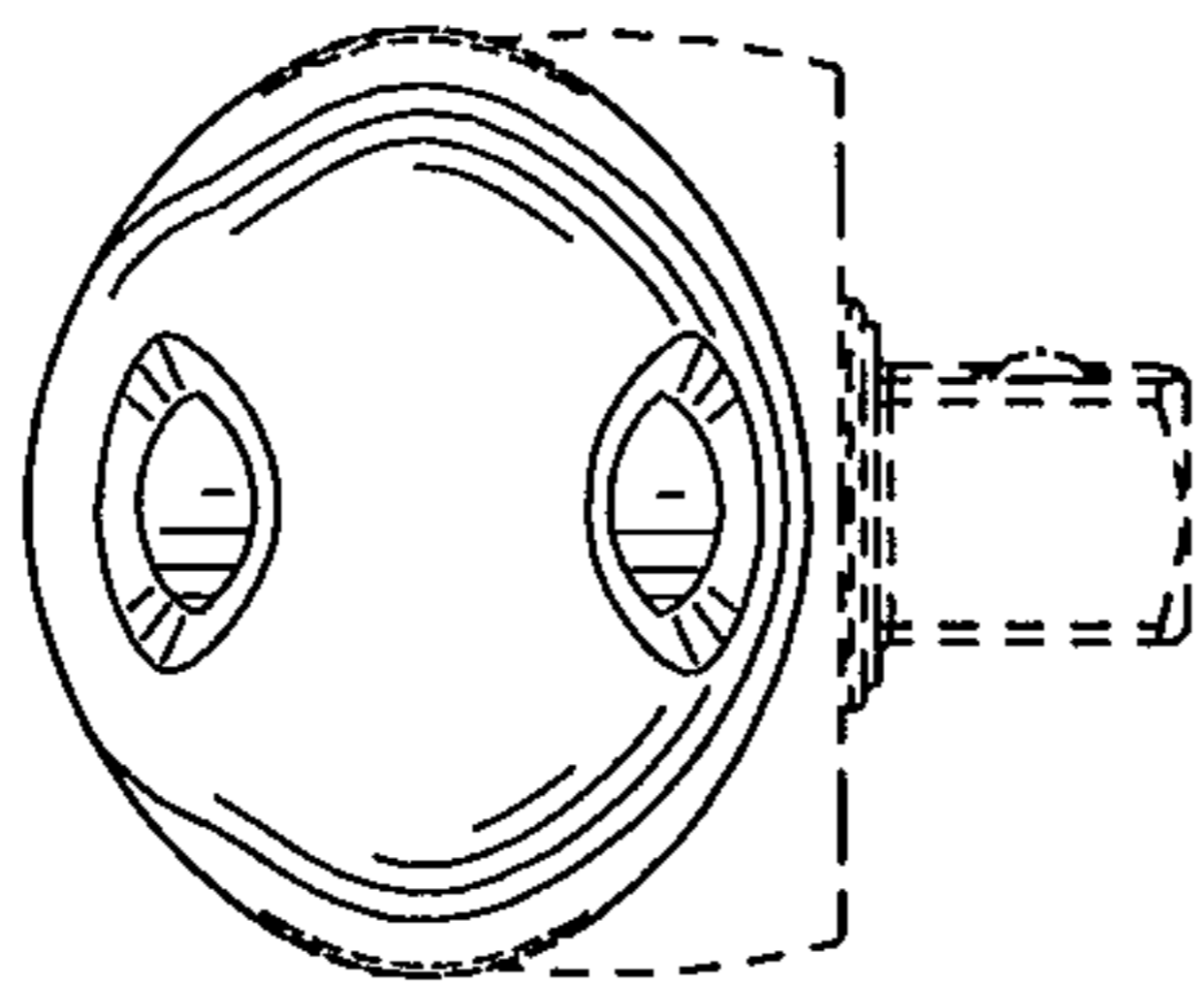


FIG. 5

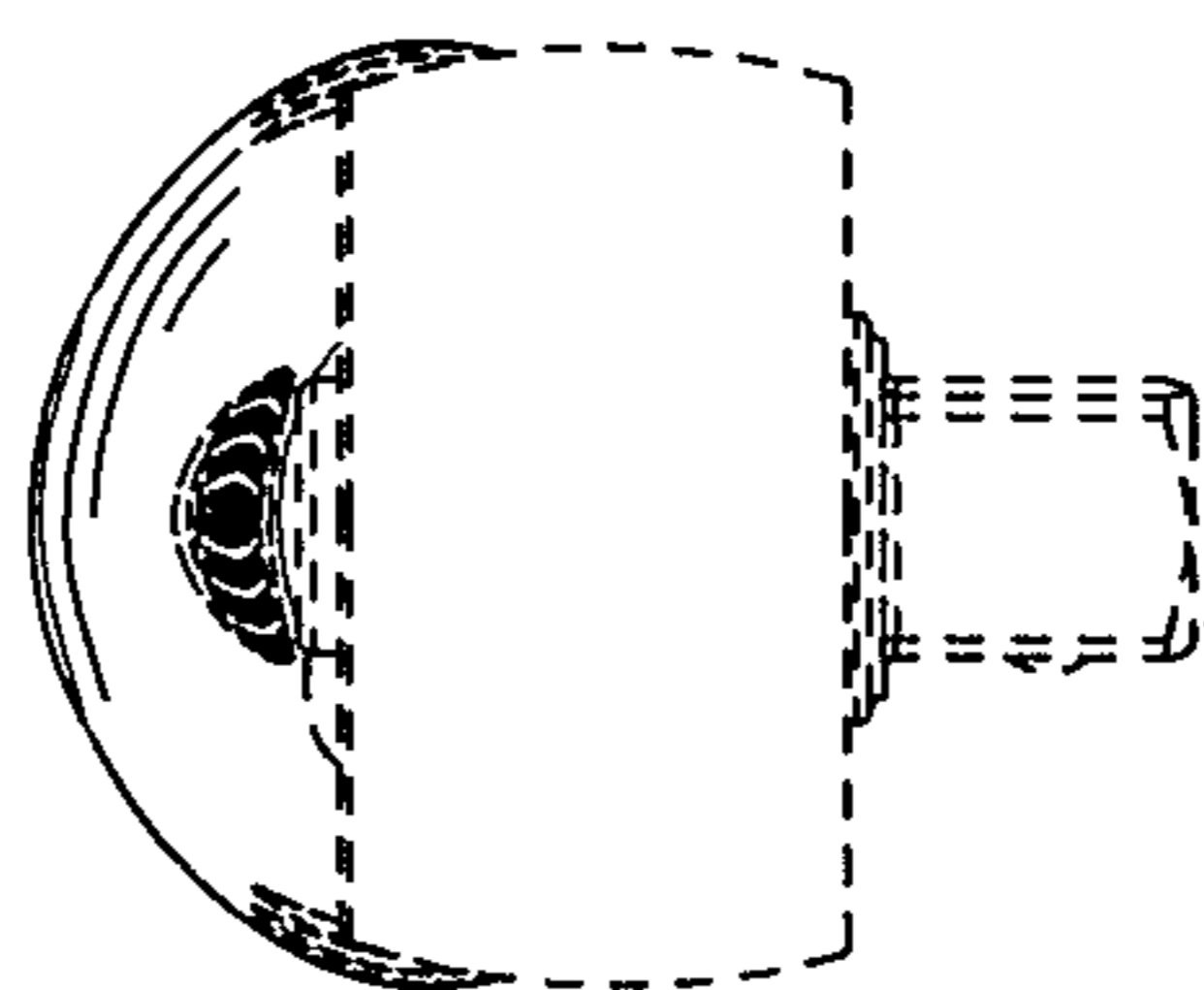


FIG. 4

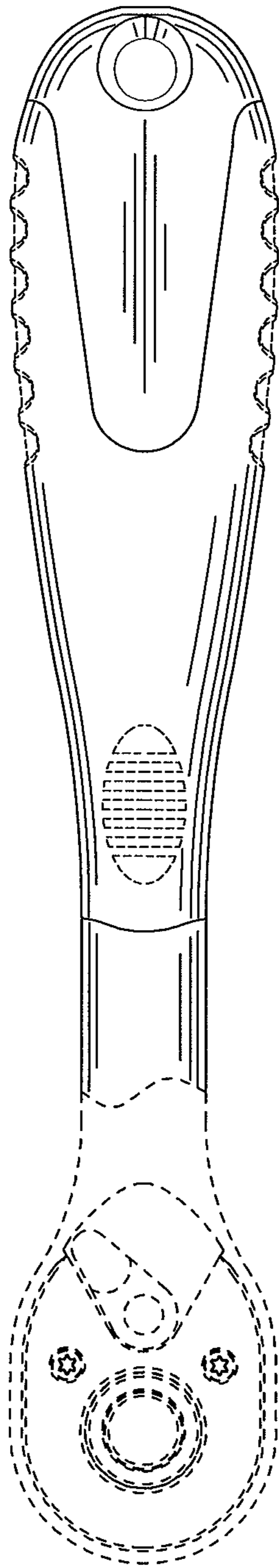


FIG. 6

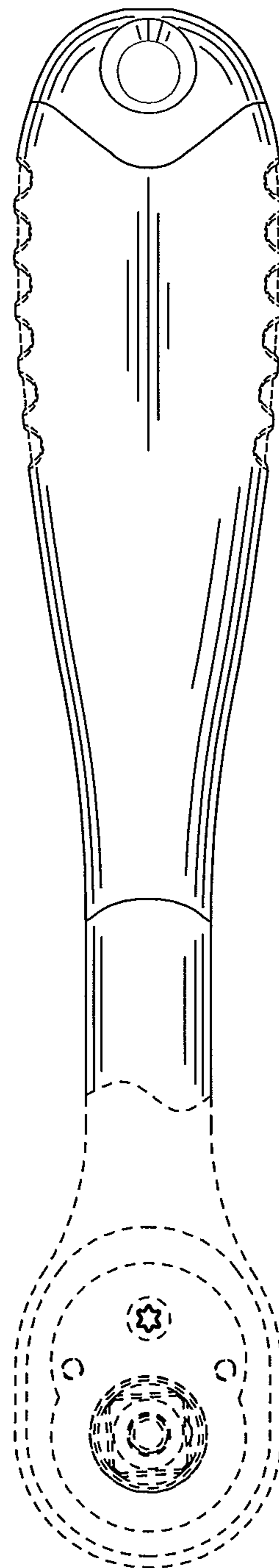


FIG. 7