



US00D722846S

(12) **United States Design Patent**
Bacich

(10) **Patent No.:** **US D722,846 S**
(45) **Date of Patent:** **** Feb. 24, 2015**

- (54) **CAULKING TIP ADAPTER**
- (71) Applicant: **Dinko Bacich**, San Pedro, CA (US)
- (72) Inventor: **Dinko Bacich**, San Pedro, CA (US)
- (**) Term: **14 Years**
- (21) Appl. No.: **29/457,763**
- (22) Filed: **Jun. 12, 2013**
- (51) **LOC (10) Cl.** **08-05**
- (52) **U.S. Cl.**
USPC **D8/14.1**
- (58) **Field of Classification Search**
CPC C09J 4/00; B05C 17/00516; B05C
17/00506; B05C 17/00593; A61L 24/06;
C08F 222/00; C08L 35/04; A61C 5/062;
B65D 47/06; A61B 17/00491
USPC D8/14, 14.1; D9/447; 222/325, 326,
222/340, 527, 566, 567, 568; 215/235, 237,
215/239, 244; 401/261; 74/141.5; 433/83,
433/90; D24/108, 112
See application file for complete search history.

(56) **References Cited**

U.S. PATENT DOCUMENTS

4,768,954	A *	9/1988	Dragan	433/90
D468,601	S *	1/2003	Horst	D8/14.1
D476,538	S *	7/2003	Dorff et al.	D8/14.1
6,786,724	B1 *	9/2004	Kwong	433/90

D598,722	S *	8/2009	Coll	D8/14.1
D625,602	S *	10/2010	Schrimpf	D9/447
D660,106	S *	5/2012	Cross	D8/14.1
D687,272	S *	8/2013	Cross	D8/14.1
2002/0119417	A1 *	8/2002	Ashman	433/90
2005/0029314	A1 *	2/2005	Williams et al.	222/527
2005/0082317	A1 *	4/2005	Coll	222/326
2010/0240004	A1 *	9/2010	Zalsman	433/90
2011/0256501	A1 *	10/2011	Lampert	433/90

* cited by examiner

Primary Examiner — George D Kirschbaum

Assistant Examiner — Jennifer Watkins

(74) *Attorney, Agent, or Firm* — QuickPatents; Kevin Prince

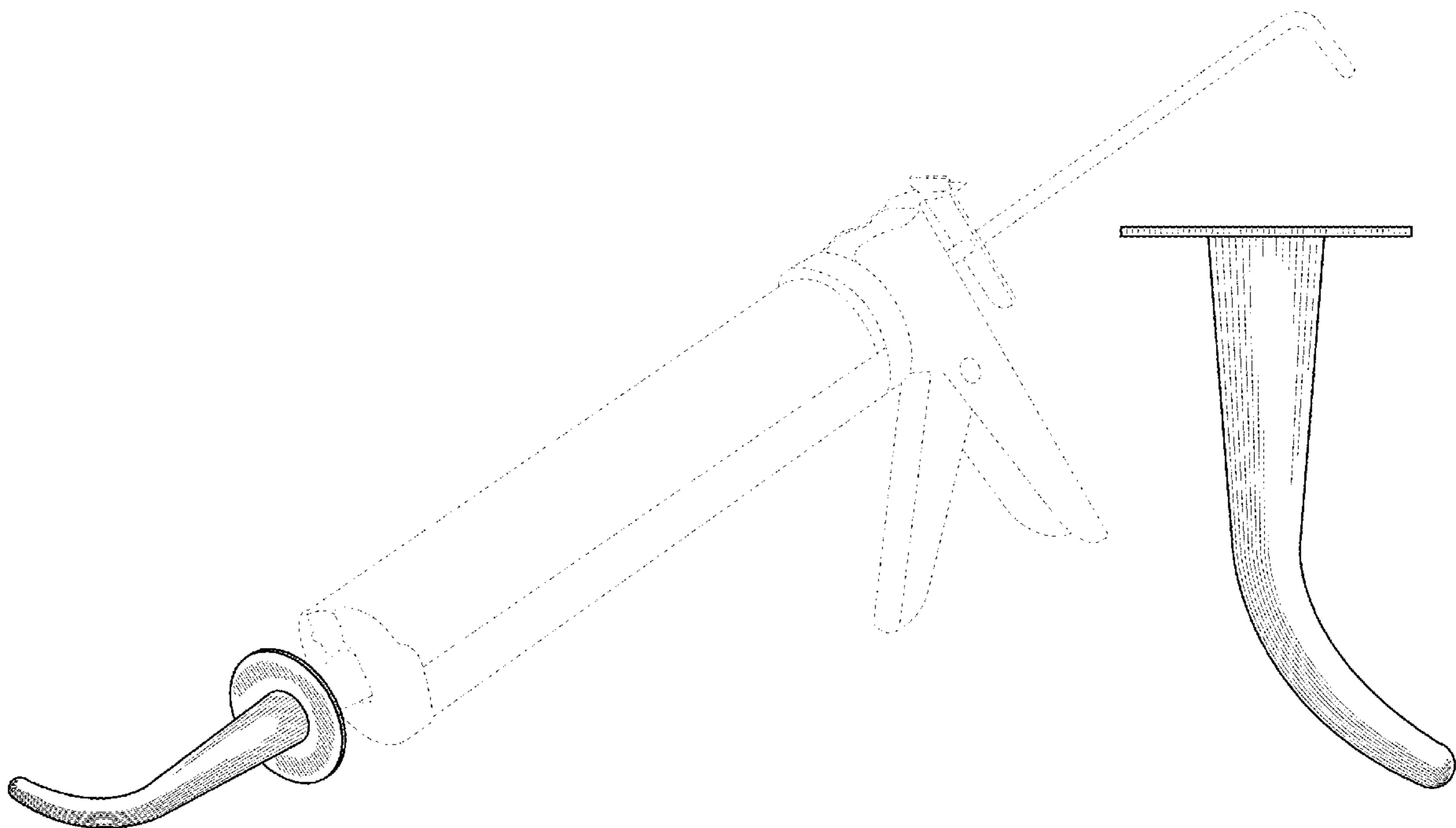
(57) **CLAIM**

I claim the ornamental design for a caulking tip adapter, as shown and described.

DESCRIPTION

FIG. 1 is a perspective view of a caulking tip adapter, of my new design;
 FIG. 2 is an enlarged bottom plan view thereof;
 FIG. 3 is a top plan view of FIG. 2;
 FIG. 4 is a right-side elevational view of FIG. 2, the left-side elevational view being a mirror image thereof;
 FIG. 5 is a rear elevational view of FIG. 2; and,
 FIG. 6 is a front elevational view of FIG. 2.
 The broken lines showing a caulking gun in FIG. 1 depict environmental matter and form no part of the claimed design.

1 Claim, 3 Drawing Sheets



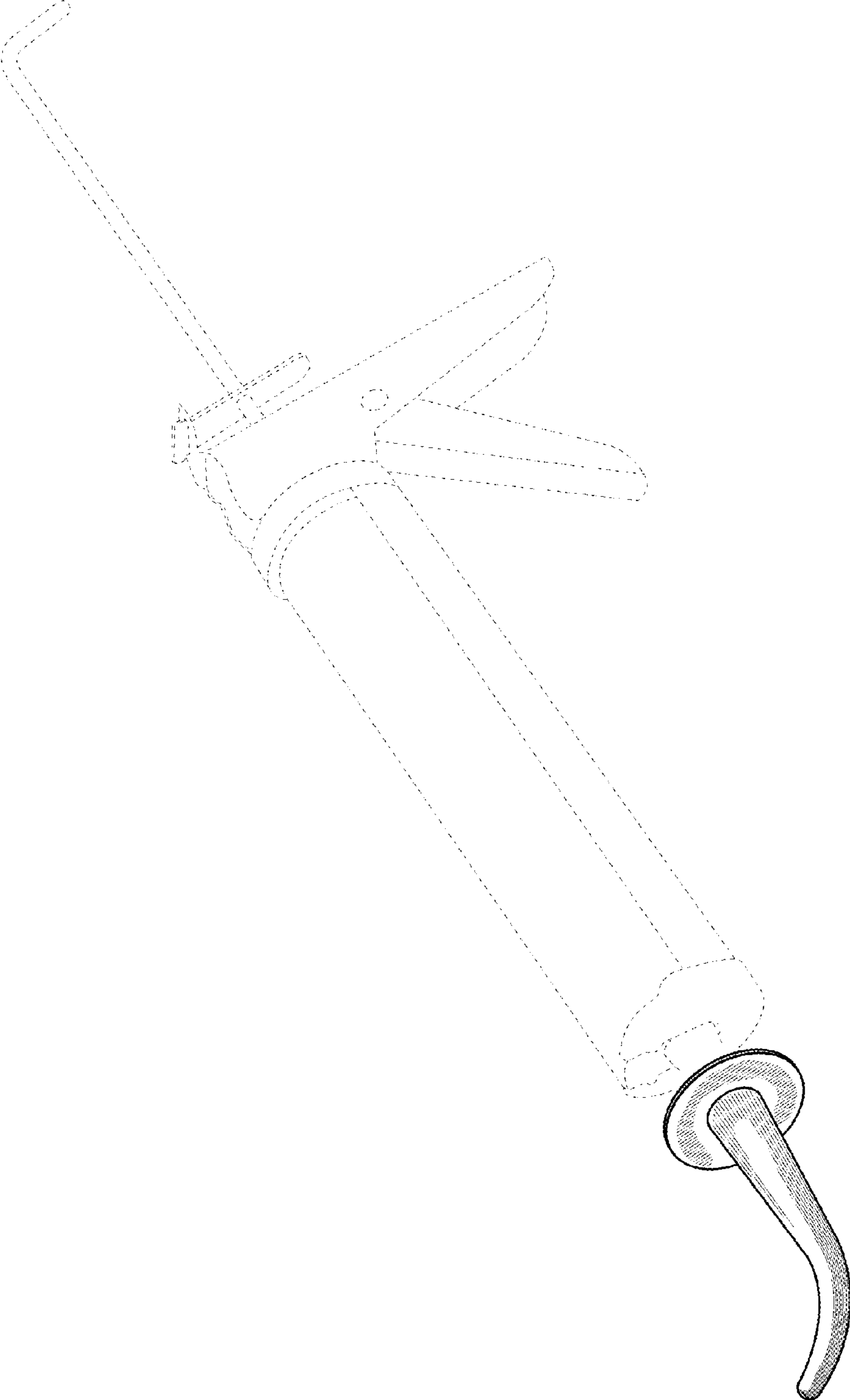


FIG. 1

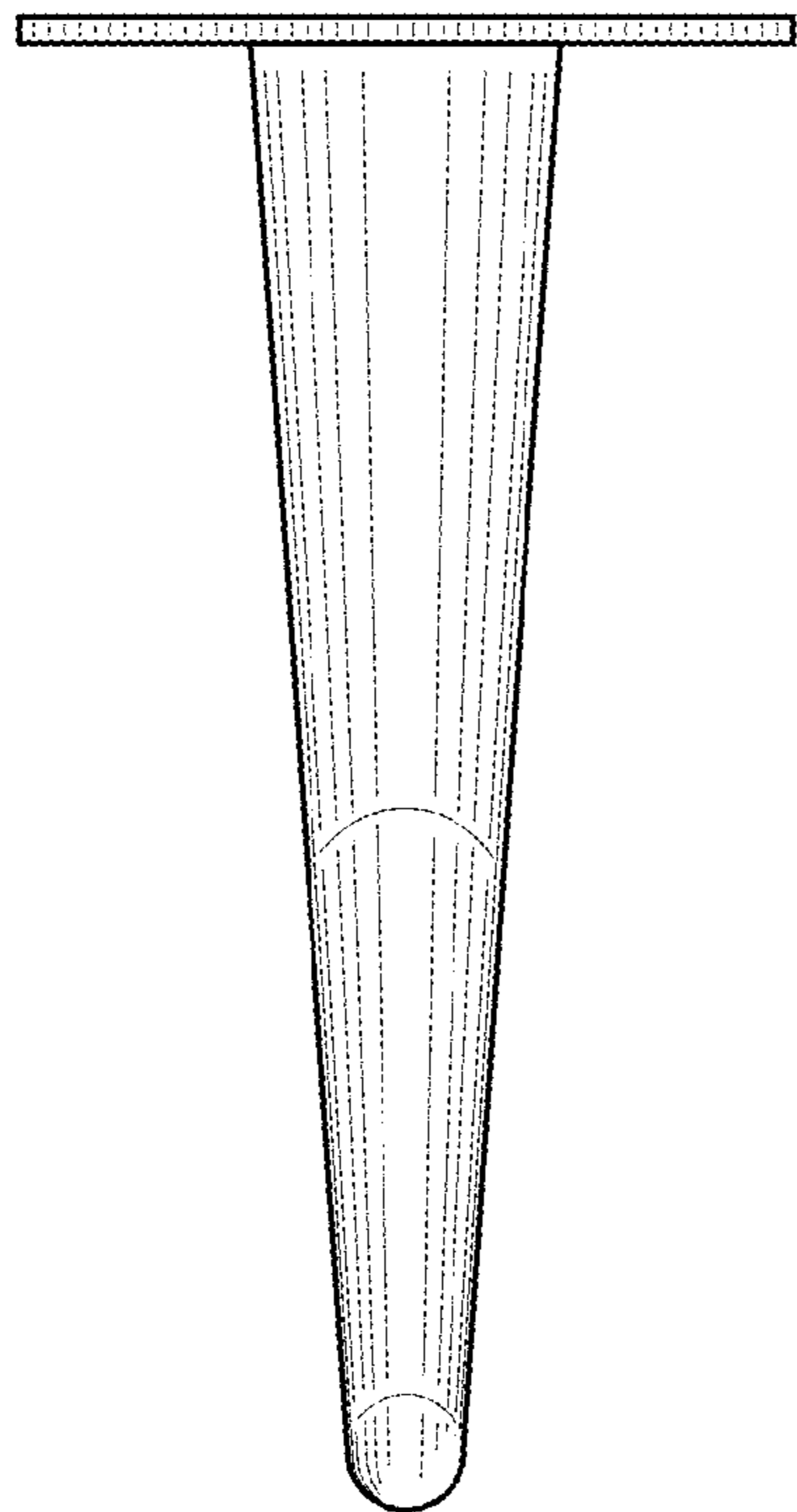


FIG. 2

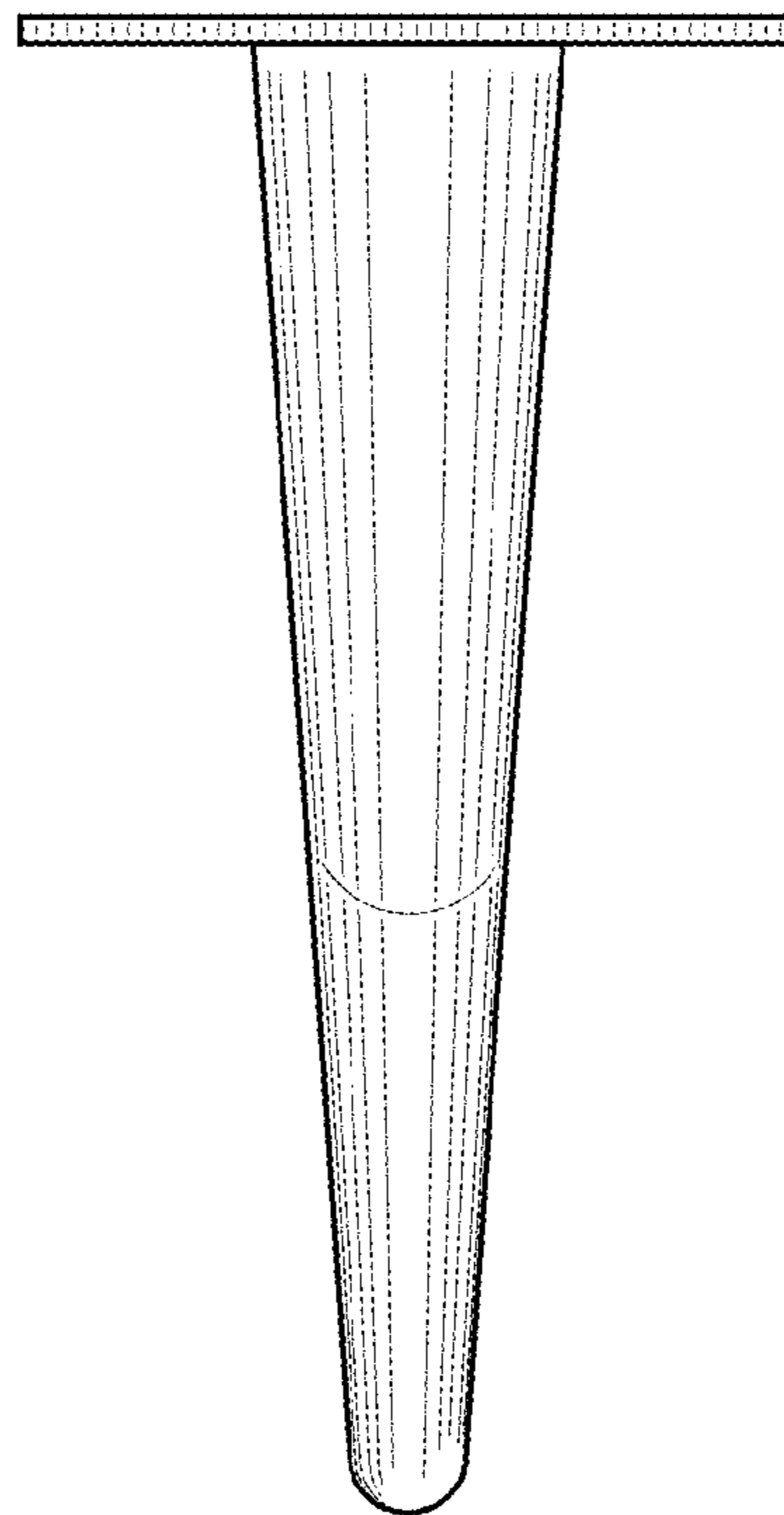


FIG. 3

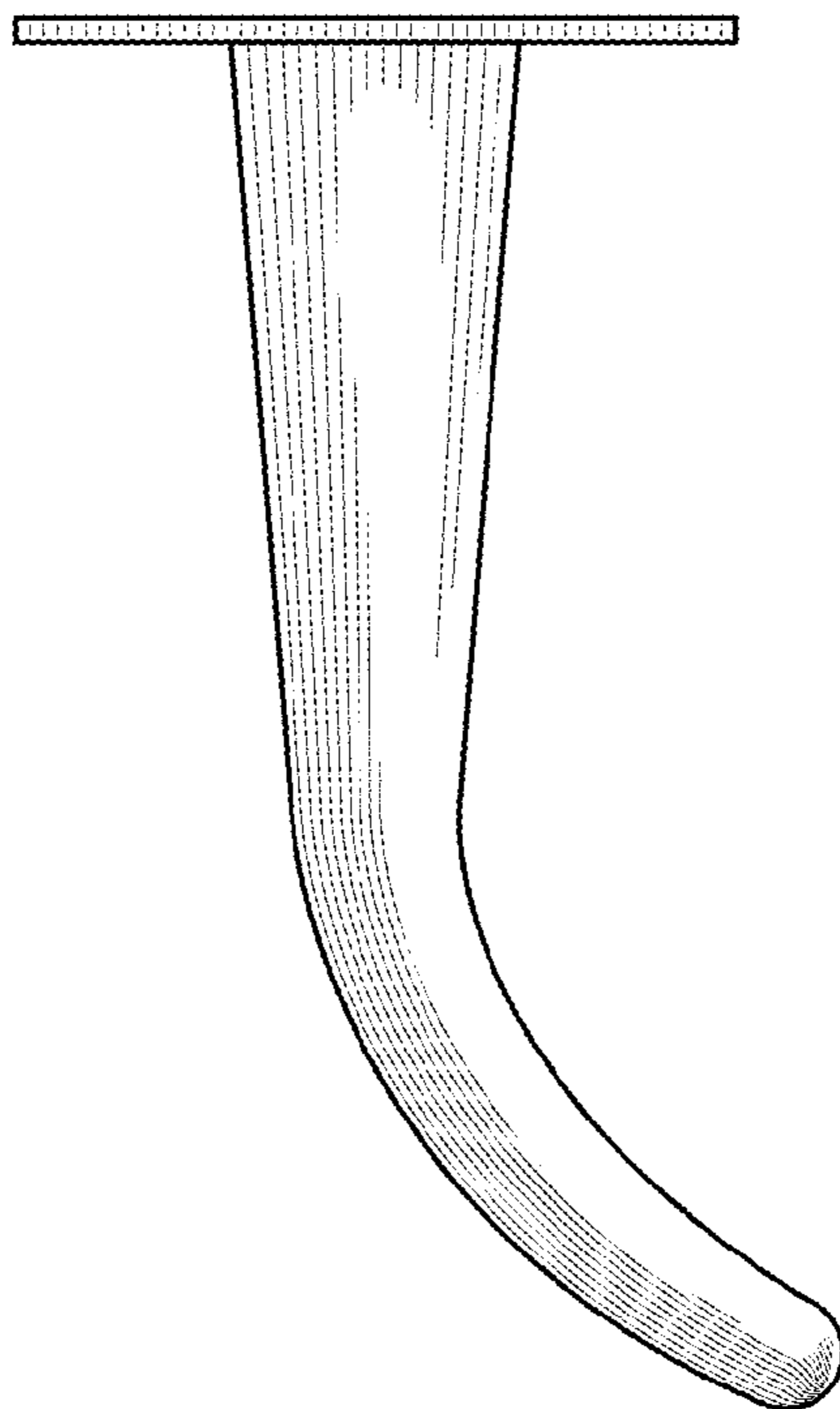


FIG. 4

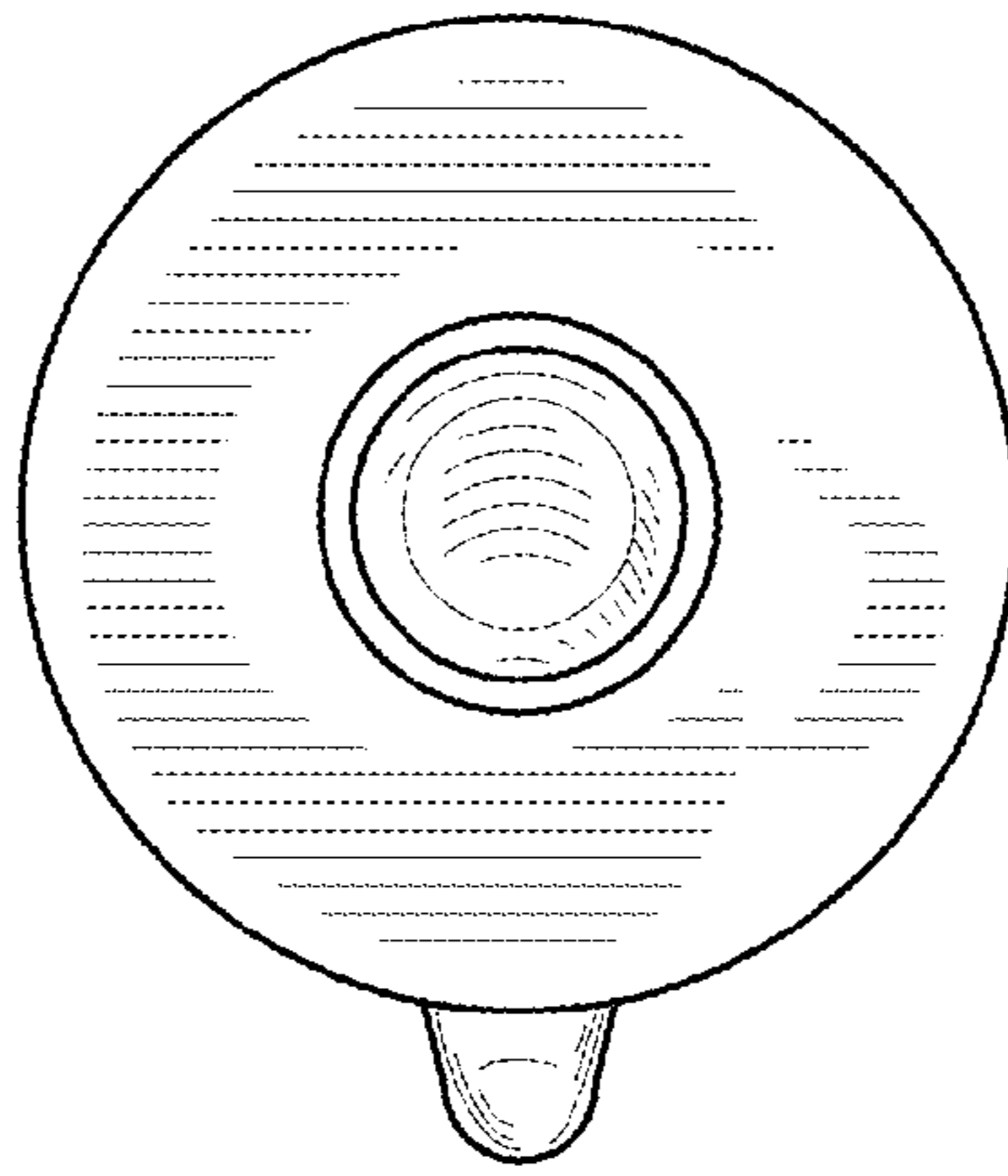


FIG. 5

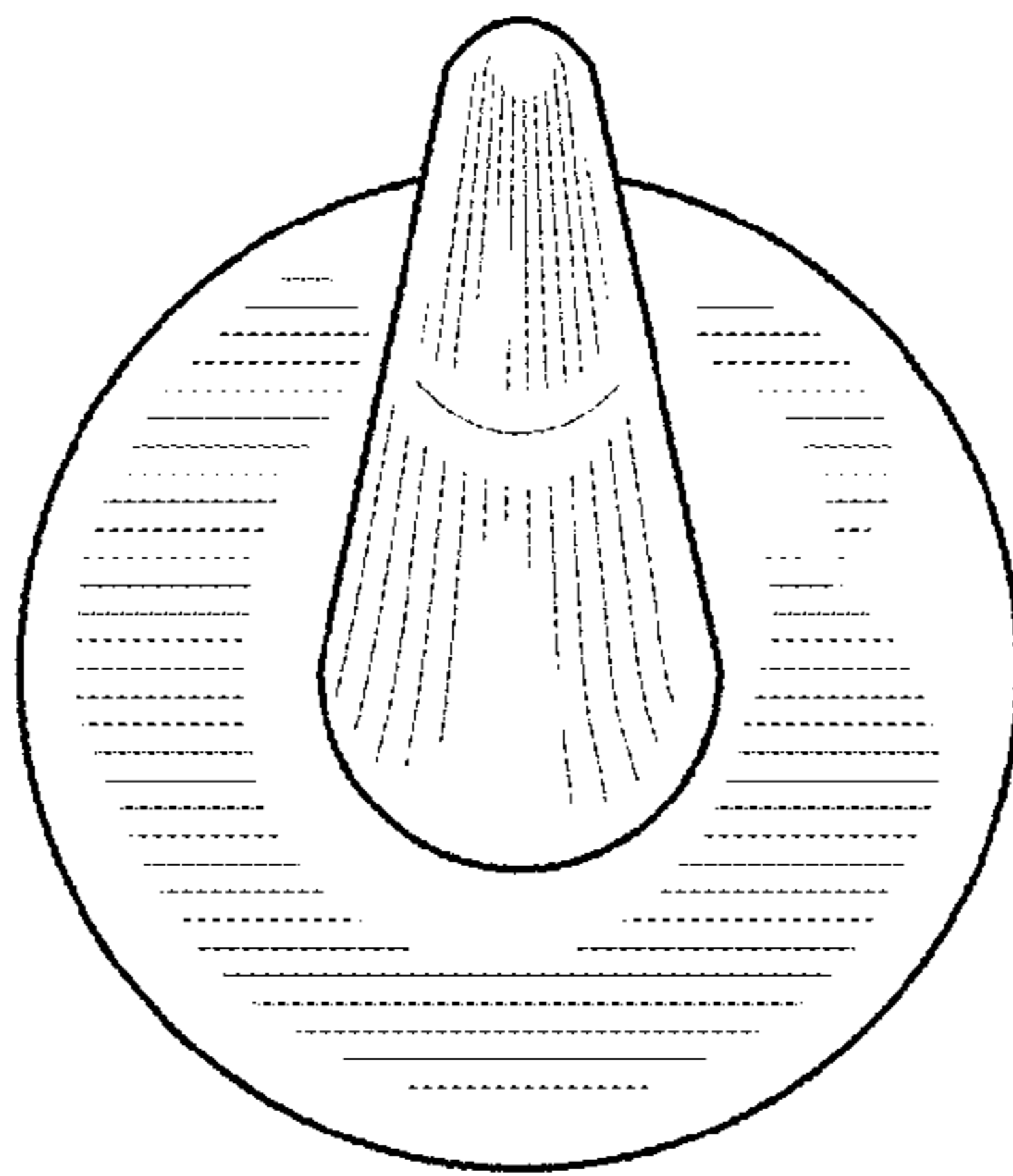


FIG. 6