



US00D722833S

(12) **United States Design Patent**
Miller

(10) **Patent No.:** **US D722,833 S**

(45) **Date of Patent:** **** Feb. 24, 2015**

(54) **FULL LID FOR BUCKET STYLE COOLER**

(71) Applicant: **Mike D. Miller**, Springfield, MO (US)

(72) Inventor: **Mike D. Miller**, Springfield, MO (US)

(**) Term: **14 Years**

(21) Appl. No.: **29/481,617**

(22) Filed: **Feb. 7, 2014**

Related U.S. Application Data

(63) Continuation of application No. 29/471,249, filed on Oct. 30, 2013, now abandoned.

(51) **LOC (10) Cl.** **07-01**

(52) **U.S. Cl.**
USPC **D7/605; D32/53**

(58) **Field of Classification Search**
USPC D7/603-608, 602, 629, 612-615,
D7/538-542; D9/424-428, 434, 435, 454;
15/260-264; D32/53, 53.1; 220/755,
220/760, 764, 699, 780-806
See application file for complete search history.

(56) **References Cited**

U.S. PATENT DOCUMENTS

D289,455 S *	4/1987	Freiler	D32/53
D292,836 S *	11/1987	Juergens	D32/53
4,711,364 A *	12/1987	Letica	220/276
5,875,913 A *	3/1999	Letica	220/269
D442,864 S *	5/2001	Davies	D9/454
6,588,618 B1 *	7/2003	Davis	220/254.7
D493,929 S *	8/2004	Schwarz	D32/53
6,964,401 B1 *	11/2005	Kelley et al.	248/346.11

D590,561 S *	4/2009	Baltz	D32/53
D623,519 S *	9/2010	Richardson	D9/454
D642,057 S *	7/2011	Reed et al.	D9/453
D712,261 S *	9/2014	Humm et al.	D9/449
D712,264 S *	9/2014	Humm et al.	D9/449

* cited by examiner

Primary Examiner — Terry Wallace

(74) *Attorney, Agent, or Firm* — Jonathan A. Bay

(57) **CLAIM**

The ornamental design for a full lid for bucket style cooler, as shown and described.

DESCRIPTION

FIG. 1 is a top perspective view of a full lid for bucket style cooler showing my new design, wherein a bucket style cooler and refreshments are shown in broken line to illustrate the intended use environment therefor and form no part of the claimed design;

FIG. 2 is a top plan view thereof FIG. 1, wherein the bottom plan view forms no part of the claimed design;

FIG. 3 is a rear elevational view of FIG. 4;

FIG. 4 is a front elevational view of FIG. 2; a

FIG. 5 is a left side elevational view of FIG. 4, the right side elevational view being a mirror opposite hereof;

FIG. 6 is an enlarged-scale top plan view of detail VI-VI in FIG. 2;

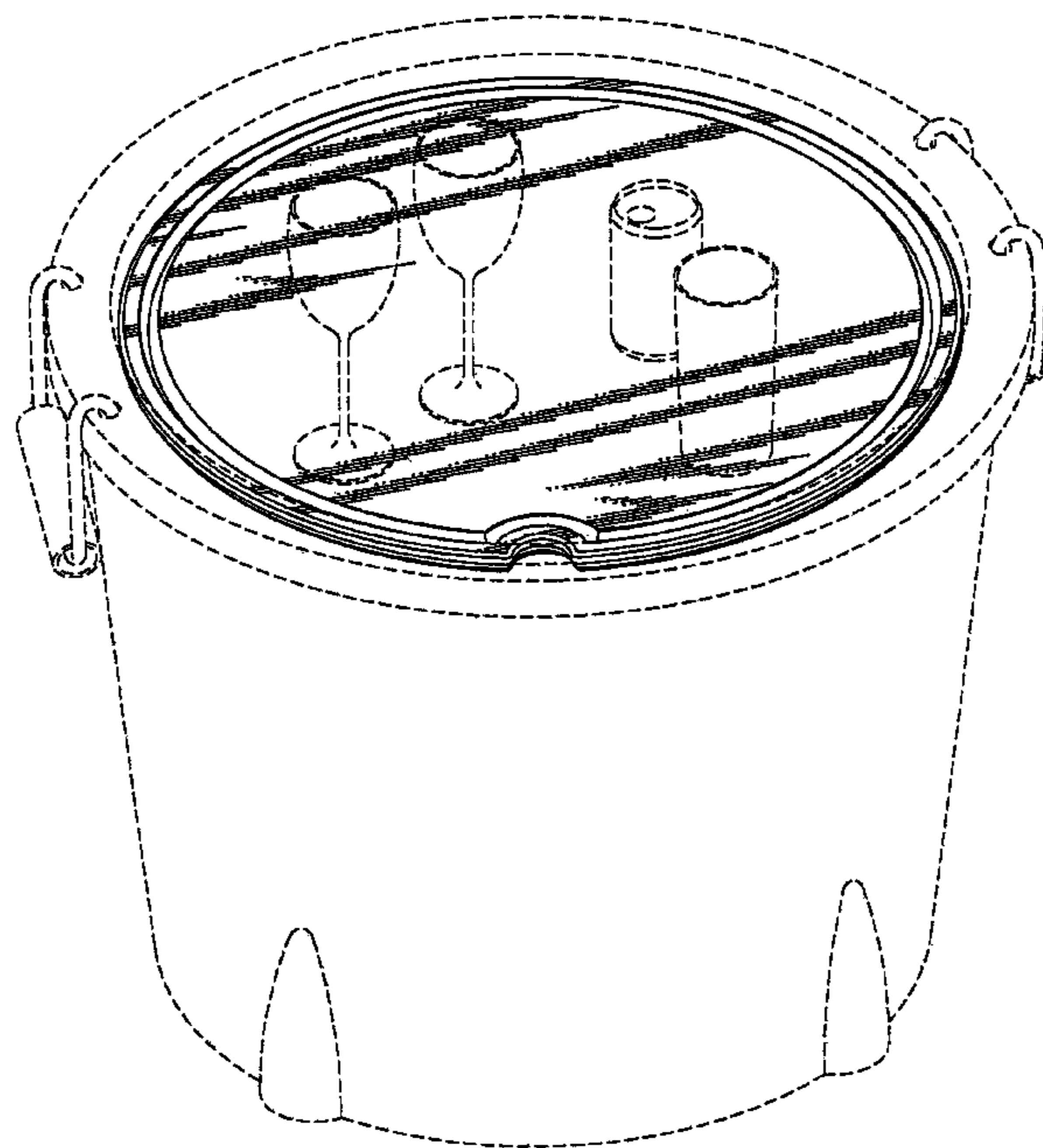
FIG. 7 is a section view taken along line VII-VII in FIG. 2;

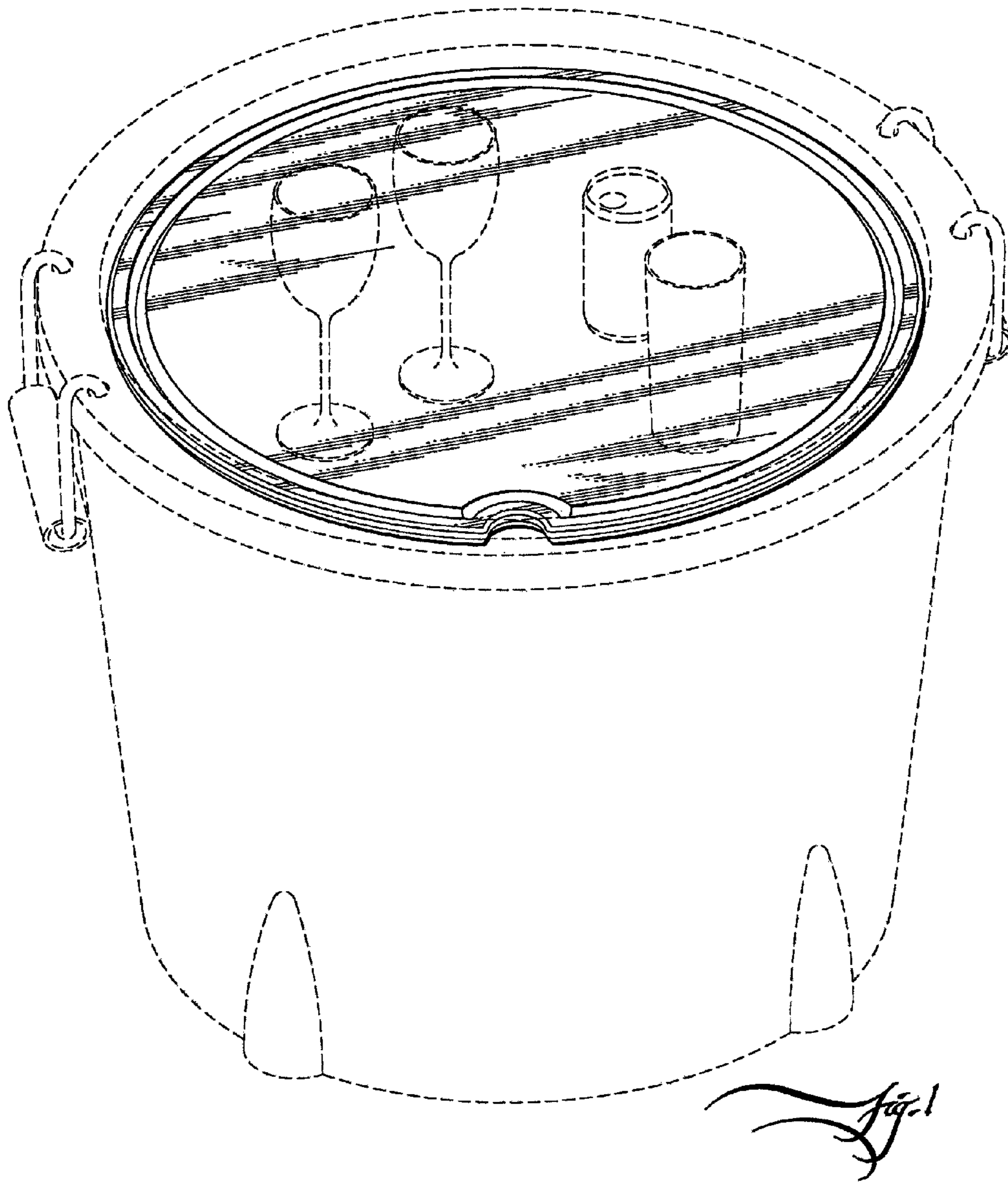
FIG. 8 is an enlarged-scale side elevational view, partly in section, of detail VIII-VIII in FIG. 7; and,

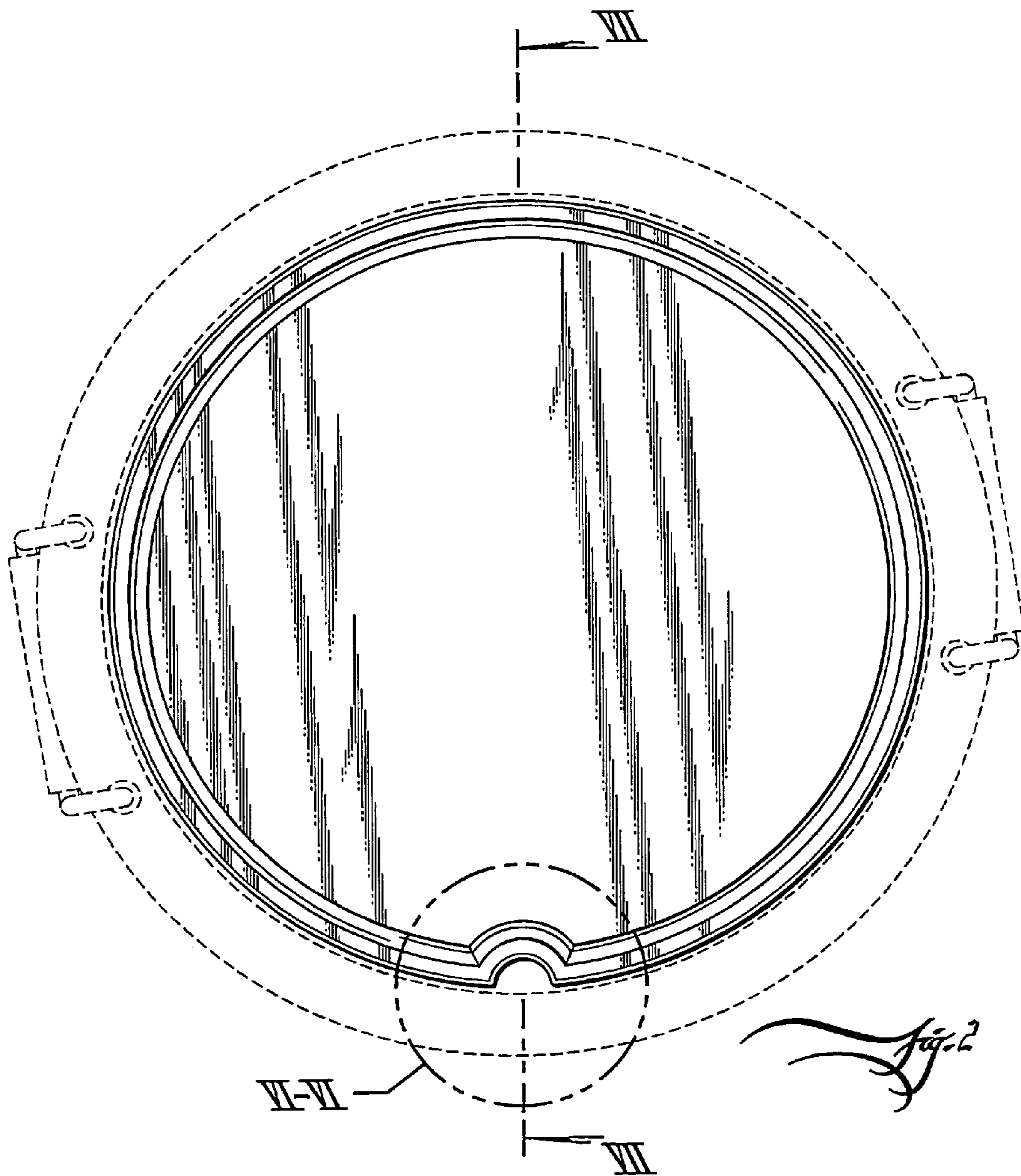
FIG. 9 is an enlarged-scale side elevational view, partly in section, of detail VIII-VIII in FIG. 7.

The broken lines form no part of the claimed design.

1 Claim, 5 Drawing Sheets







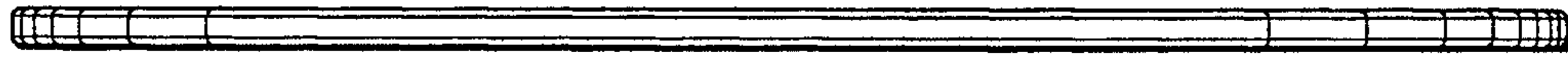


Fig. 3

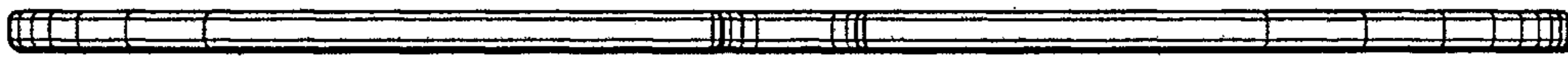


Fig. 4

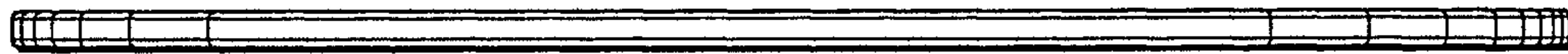


Fig. 5

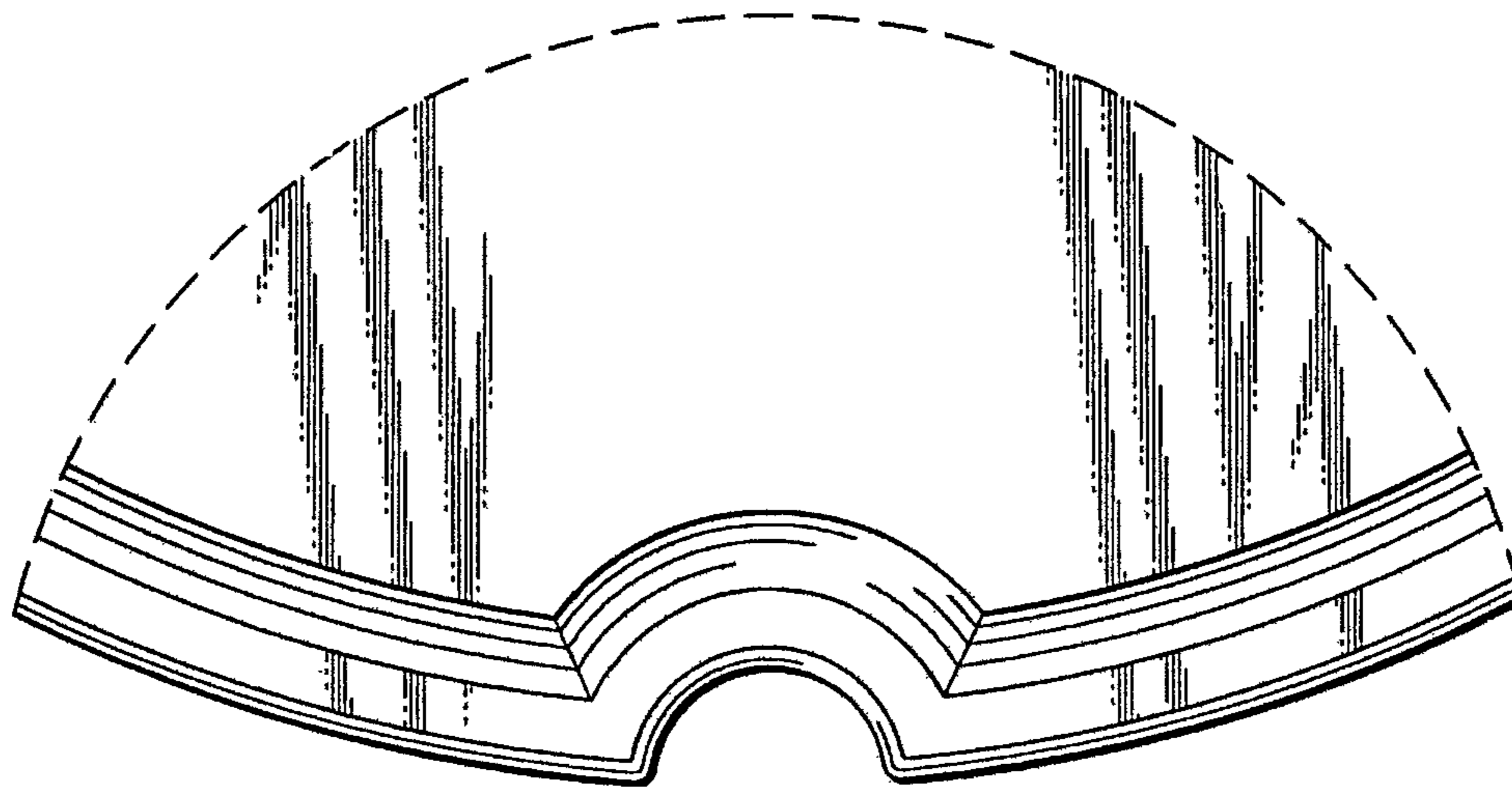


Fig. 6

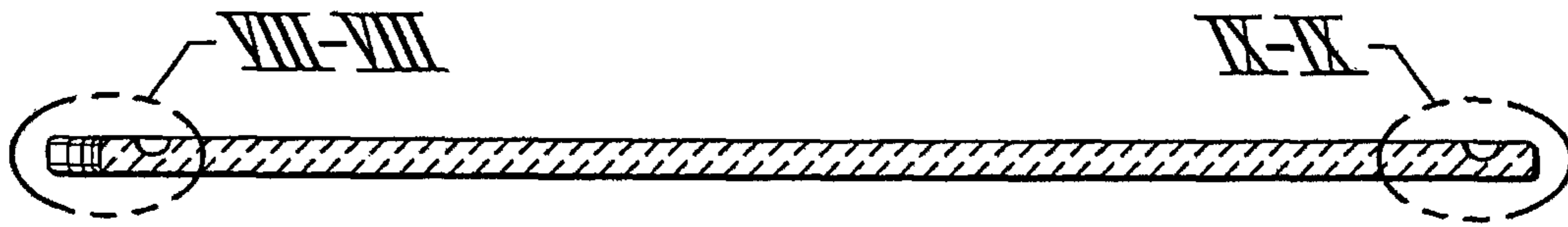


Fig. 7

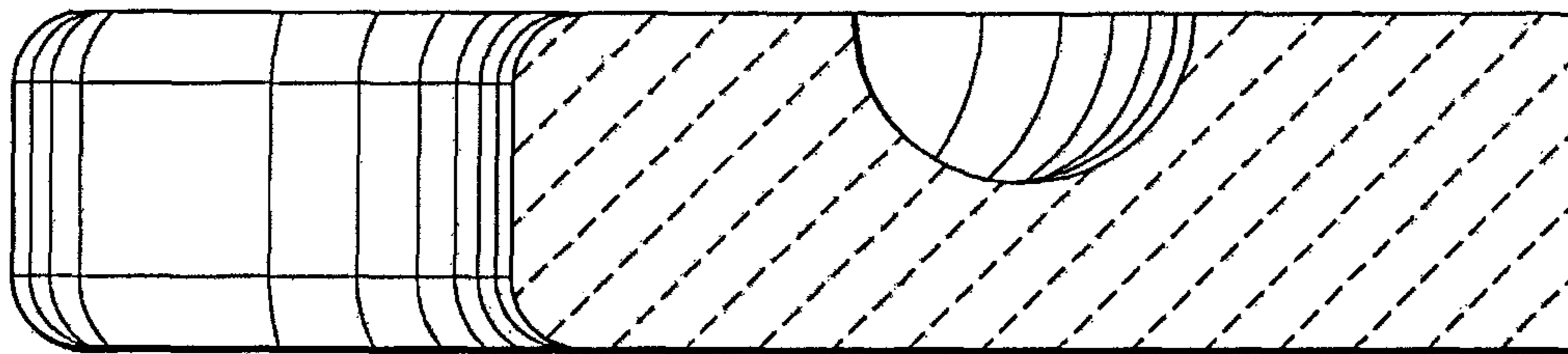


Fig. 8

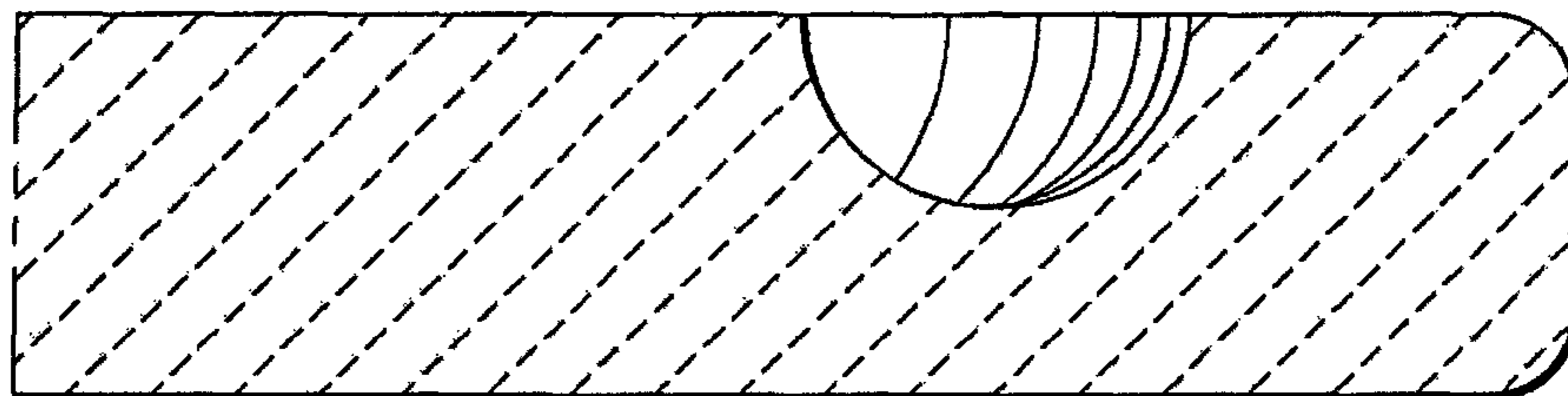


Fig. 9