



US00D722831S

(12) **United States Design Patent**
Tuang et al.

(10) **Patent No.:** **US D722,831 S**

(45) **Date of Patent:** **** Feb. 24, 2015**

(54) **COFFEE POD MESH STORAGE DRAWER**

(71) Applicants: **Bao-Yi Tuang**, Rowland Heights, CA (US); **Tsung-Yu Tsai**, Rowland Heights, CA (US)

(72) Inventors: **Bao-Yi Tuang**, Rowland Heights, CA (US); **Tsung-Yu Tsai**, Rowland Heights, CA (US)

(**) Term: **14 Years**

(21) Appl. No.: **29/443,893**

(22) Filed: **Jan. 23, 2013**

(51) **LOC (10) Cl.** **07-06**

(52) **U.S. Cl.**
USPC **D7/600.1**

(58) **Field of Classification Search**
USPC D7/600, 600.1–600.4, 392, 397, 589, D7/590, 596, 597, 601, 602, 609, 610, 612, D7/614, 615, 620–623, 628–632, 637–641, D7/701–708, 708.1, 709, 710; D3/304–315, 317, 319, 302; D6/559, D6/560, 566, 567, 570, 571, 573, 574, 512, D6/705, 705.1, 705.2, 705.3, 705.4, 705.5, D6/705.6, 705.7, 706, 707, 707.1, 707.19, D6/707.15, 627, 628, 629, 631, 654, D6/654.11, 654.12, 654.13, 654.14, D6/654.15, 654.18, 654.19, 654.2, 654.22, D6/654.21, 655, 655.11, 655.12, 655.13, D6/655.14, 655.15, 655.17, 655.18, D6/655.19, 665.2, 655.22, 655.23, 691.9, D6/692.4, 692.5, 693.1, 693.2; D19/75, D19/77, 78, 83, 86, 92; 206/511, 557, 560, 206/510, 513, 503; 211/1, 10, 13.1, 69.1, 211/69.5, 70, 70.1, 70.6, 74, 77, 78, 85.1, 211/85.2, 85.4, 85.5, 85.31, 126.9, 126.11, 211/126.15, 129.1, 131.1, 133.2, 133.4, 211/134, 133.5, 133.6, 181.1, 182; 312/323, 330.1, 334.1, 334.27, 408, 312/410, 334.44; 220/485

See application file for complete search history.

(56) **References Cited**

U.S. PATENT DOCUMENTS

D315,925	S	*	4/1991	Rich	D19/92
D628,444	S	*	12/2010	Snider	D7/600.1
D628,445	S	*	12/2010	Snider	D7/600.1
D644,491	S	*	9/2011	Snider	D7/600.1
D659,481	S	*	5/2012	Tiemann	D7/600.1
D660,088	S	*	5/2012	Tiemann	D7/600.1
D661,951	S	*	6/2012	Tiemann	D7/600.1
D674,213	S	*	1/2013	Hertaus	D6/663
D676,265	S	*	2/2013	Tawil	D6/705
D676,715	S	*	2/2013	Tsai	D7/600.1
D679,954	S	*	4/2013	Snider	D7/600.1
D680,380	S	*	4/2013	Tiemann	D7/600.1
D680,381	S	*	4/2013	Tsai	D7/600.1
D681,398	S	*	5/2013	Tsai	D7/600.1
D682,039	S	*	5/2013	Tiemann	D7/600.4
D684,404	S	*	6/2013	Hertaus	D6/705
D688,902	S	*	9/2013	Hertaus	D6/663

* cited by examiner

Primary Examiner — Ian Simmons

Assistant Examiner — Shannon Morgan

(74) *Attorney, Agent, or Firm* — QuickPatents; Kevin Prince

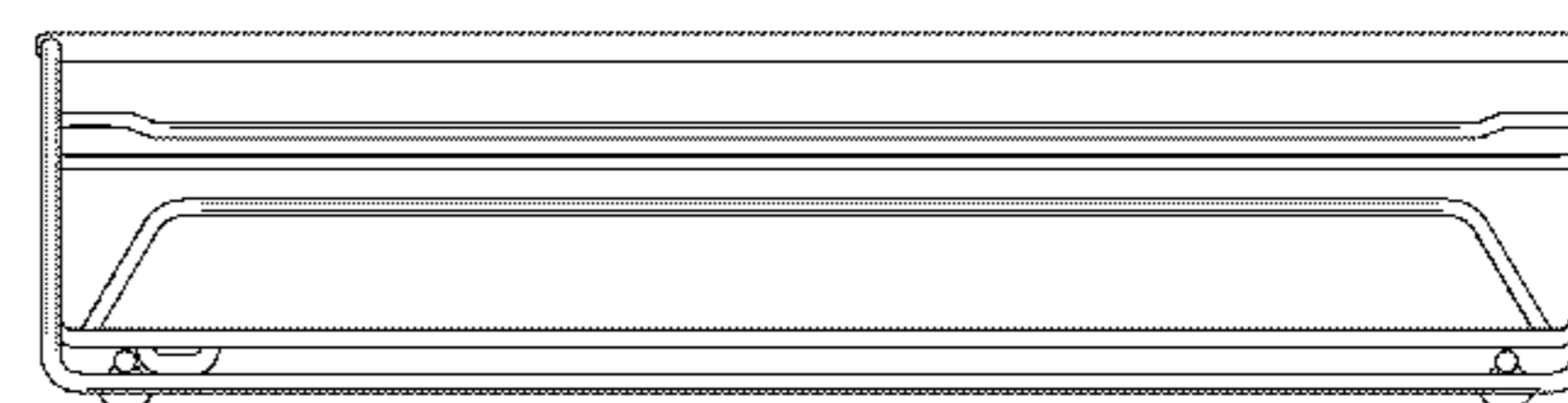
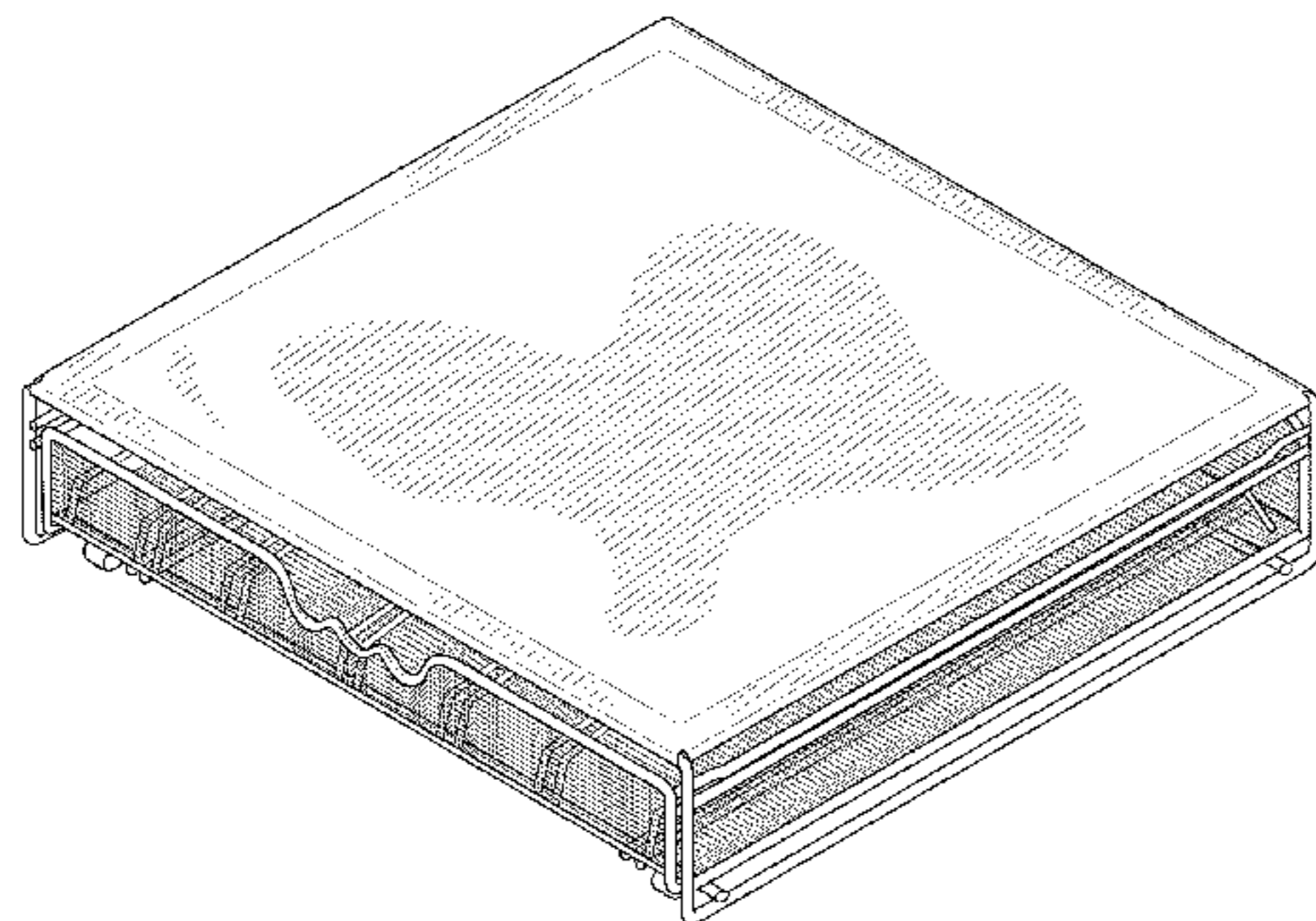
(57) **CLAIM**

We claim the ornamental design for a coffee pod mesh storage drawer, as shown and described.

DESCRIPTION

FIG. 1 is a front, right perspective view of a coffee pod mesh storage drawer showing our new design.
FIG. 2 is a front elevational view thereof;
FIG. 3 is a rear elevational view thereof;
FIG. 4 is a right-side elevational view thereof; the left-side elevational view being an identical mirror image thereof;
FIG. 5 is a top plan view thereof; and,
FIG. 6 is a bottom plan view thereof.

1 Claim, 3 Drawing Sheets



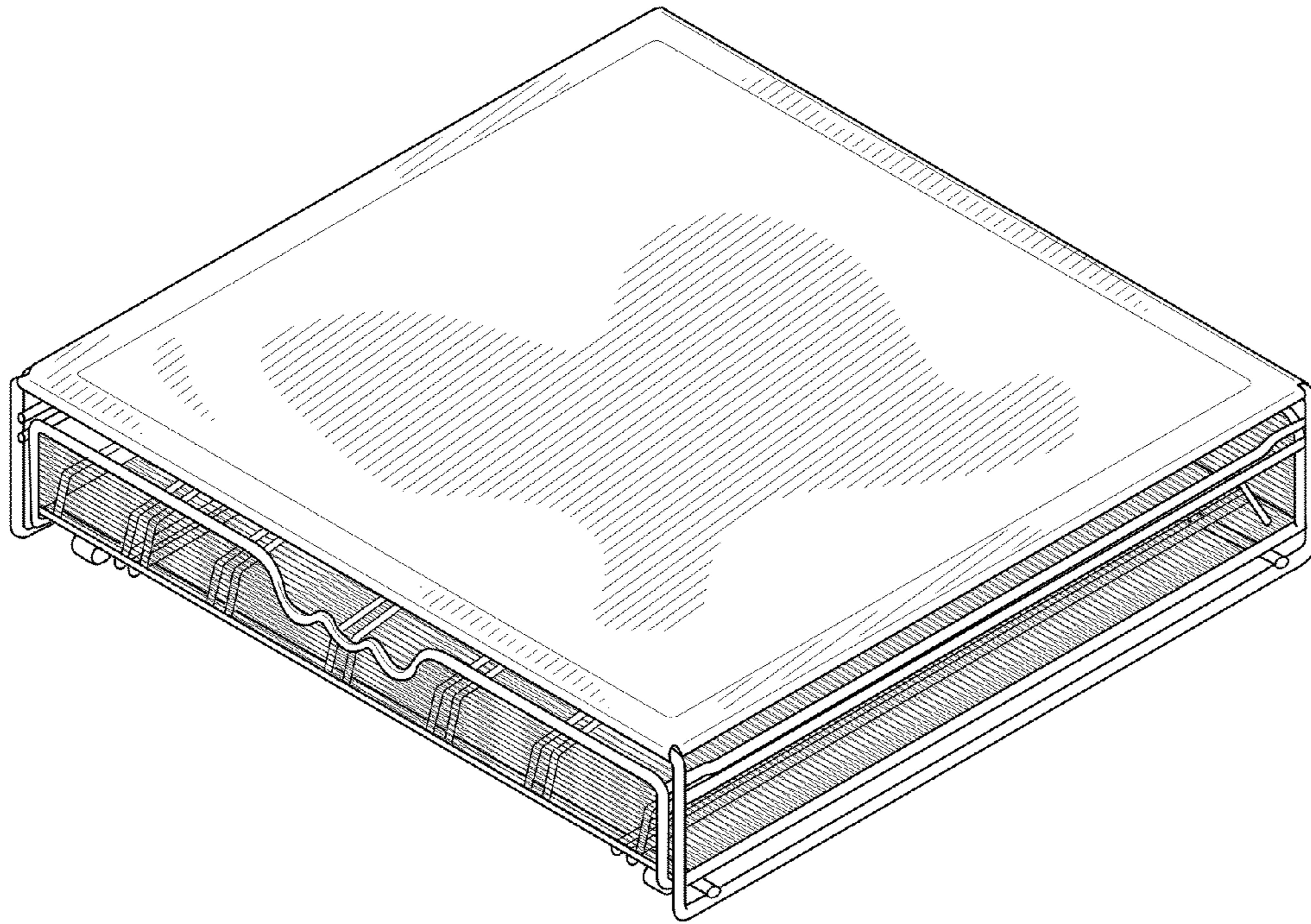


FIG. 1

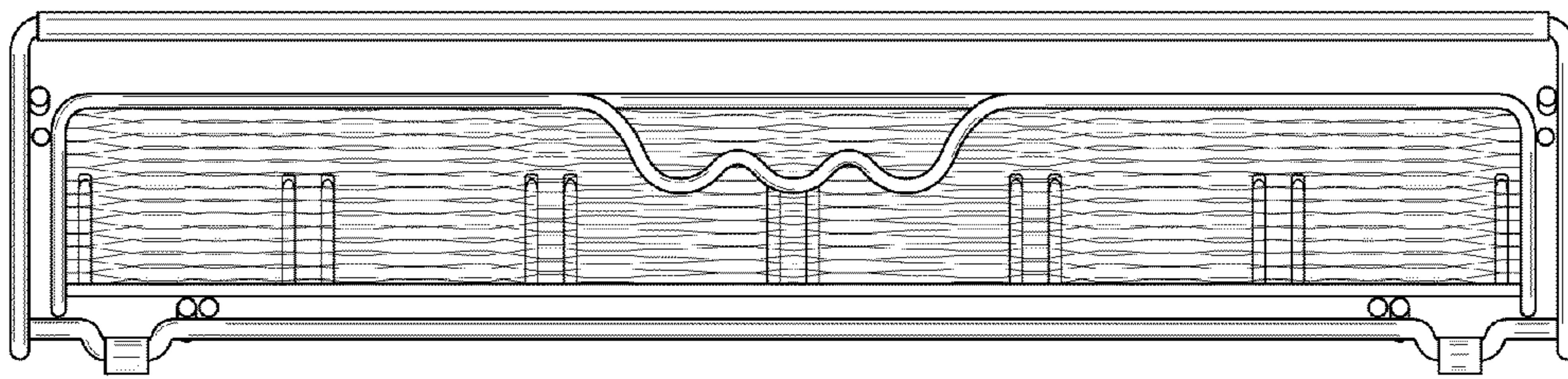


FIG. 2

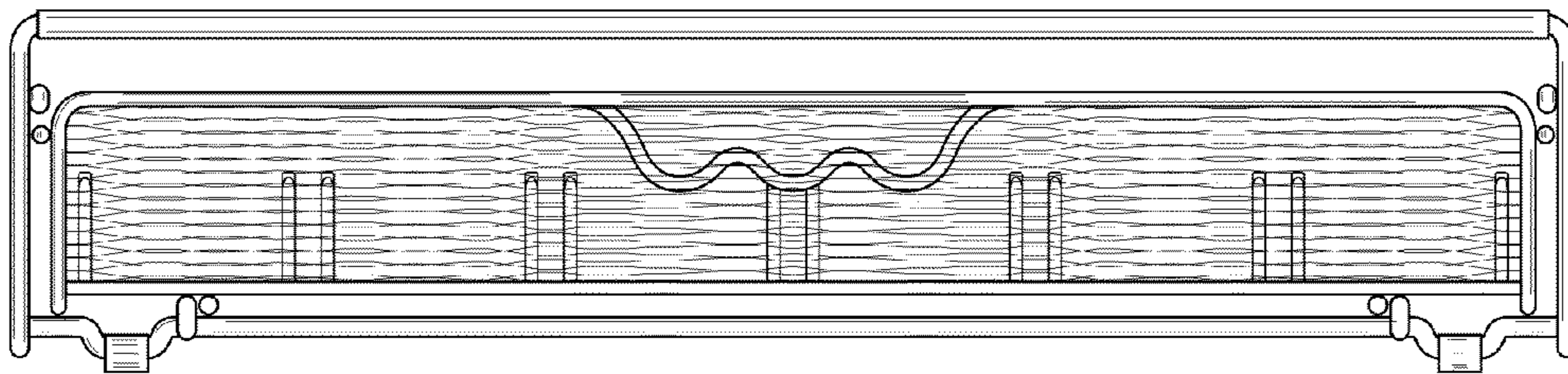


FIG. 3

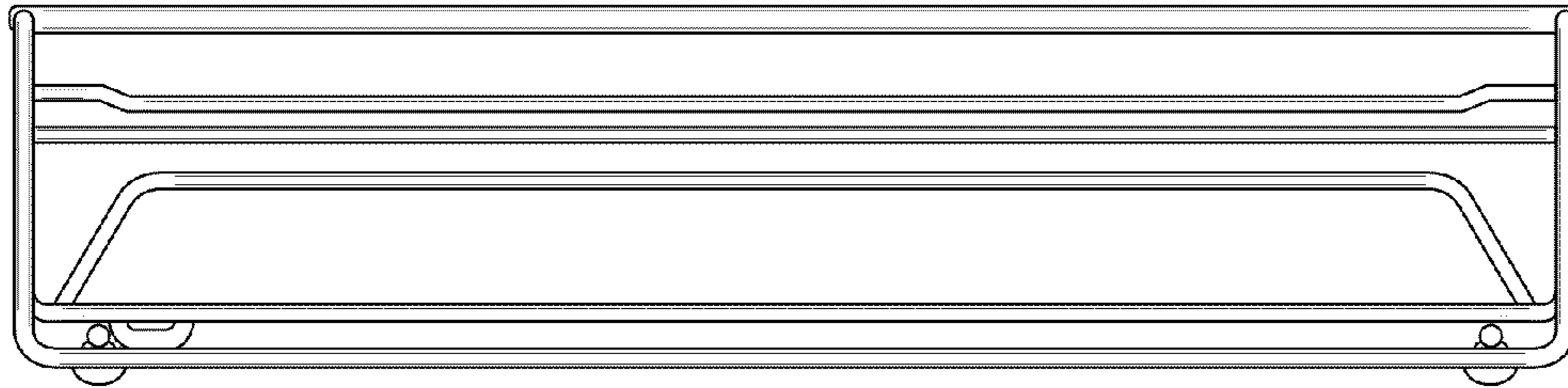


FIG. 4

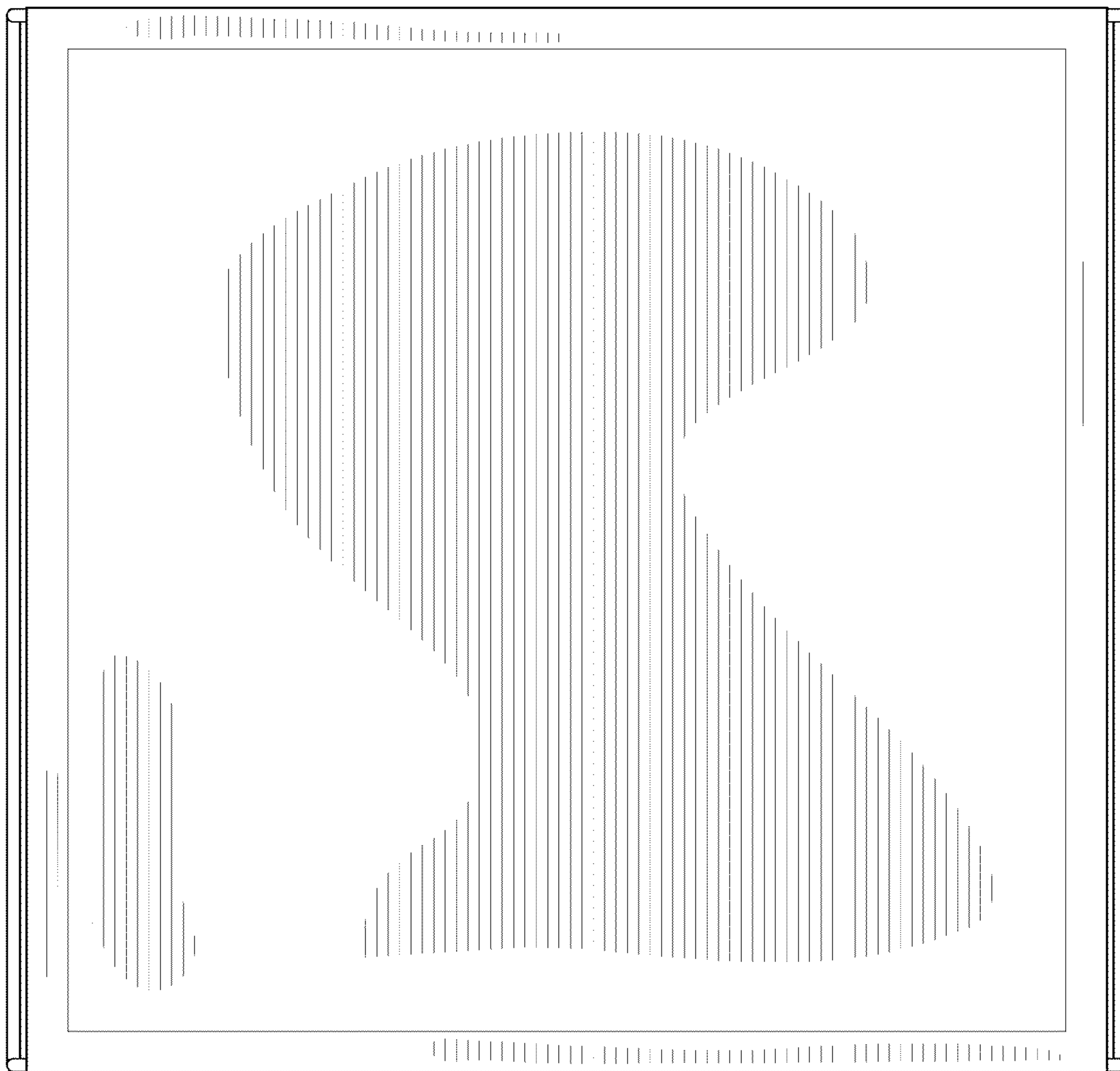


FIG. 5

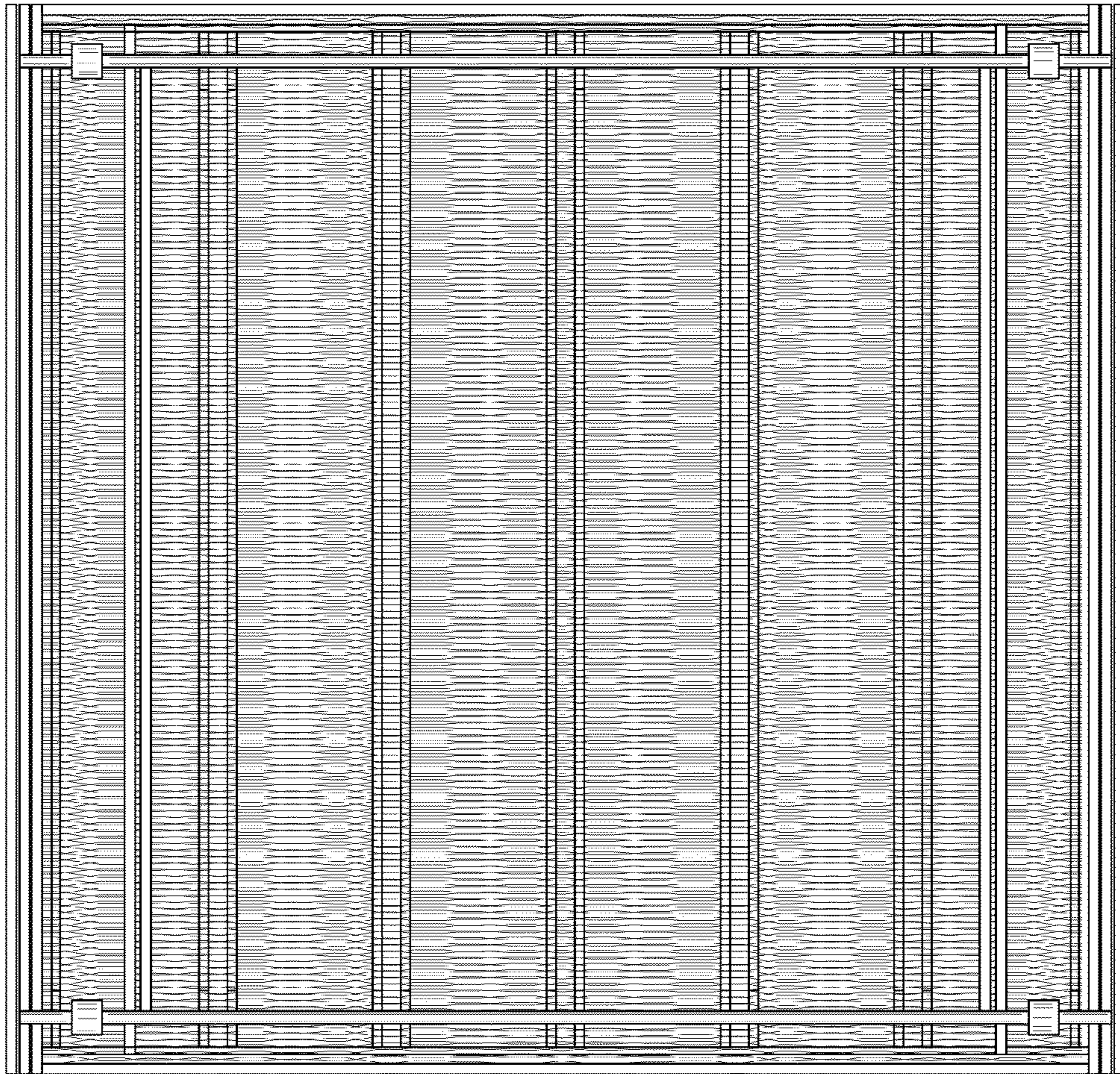


FIG. 6