



US00D722824S

(12) **United States Design Patent**  
**Albert**

(10) **Patent No.:** **US D722,824 S**  
(45) **Date of Patent:** **\*\* Feb. 24, 2015**

- (54) **SHOT GLASS**
- (71) Applicant: **Global Holdings, Inc.**, The Woodlands, TX (US)
- (72) Inventor: **Stephen Michael Albert**, Santee, CA (US)
- (73) Assignee: **Global Holdings, Inc.**, The Woodlands, TX (US)

D249,110	S	*	8/1978	Newmark	.....	D7/509
D256,077	S	*	7/1980	Brockman et al.	.....	D7/507
4,210,141	A	*	7/1980	Brockman et al.	.....	604/78
D257,526	S	*	11/1980	Herbst et al.	.....	D7/509
D288,515	S	*	3/1987	Rimmeir	.....	D7/584
5,645,191	A	*	7/1997	Neville	.....	220/717
D471,406	S	*	3/2003	Wellner	.....	D7/584
6,758,390	B2	*	7/2004	Sarson et al.	.....	229/128
6,955,289	B2	*	10/2005	Green	.....	229/128
D595,907	S	*	7/2009	Rutherford et al.	.....	D30/119
D684,432	S	*	6/2013	Stein et al.	.....	D7/607
D685,608	S	*	7/2013	Bangert	.....	D7/509

(\*\*) Term: **14 Years**

\* cited by examiner

(21) Appl. No.: **29/466,210**

*Primary Examiner* — Marianne Pandozzi

(22) Filed: **Sep. 5, 2013**

(74) *Attorney, Agent, or Firm* — Eric Karich

(51) **LOC (10) Cl.** ..... **07-01**

(52) **U.S. Cl.**  
USPC ..... **D7/509**; D7/531; D7/691

(58) **Field of Classification Search**  
USPC ..... D7/509, 523, 532, 524, 533, 536, 525,  
D7/529, 624.2, 607, 566, 558, 537, 531,  
D7/691; 215/374, 377; 220/703, 704,  
220/592.16, 592.17; 229/128; D34/1  
See application file for complete search history.

(57) **CLAIM**

The ornamental design for a “shot glass,” as shown and described.

(56) **References Cited**

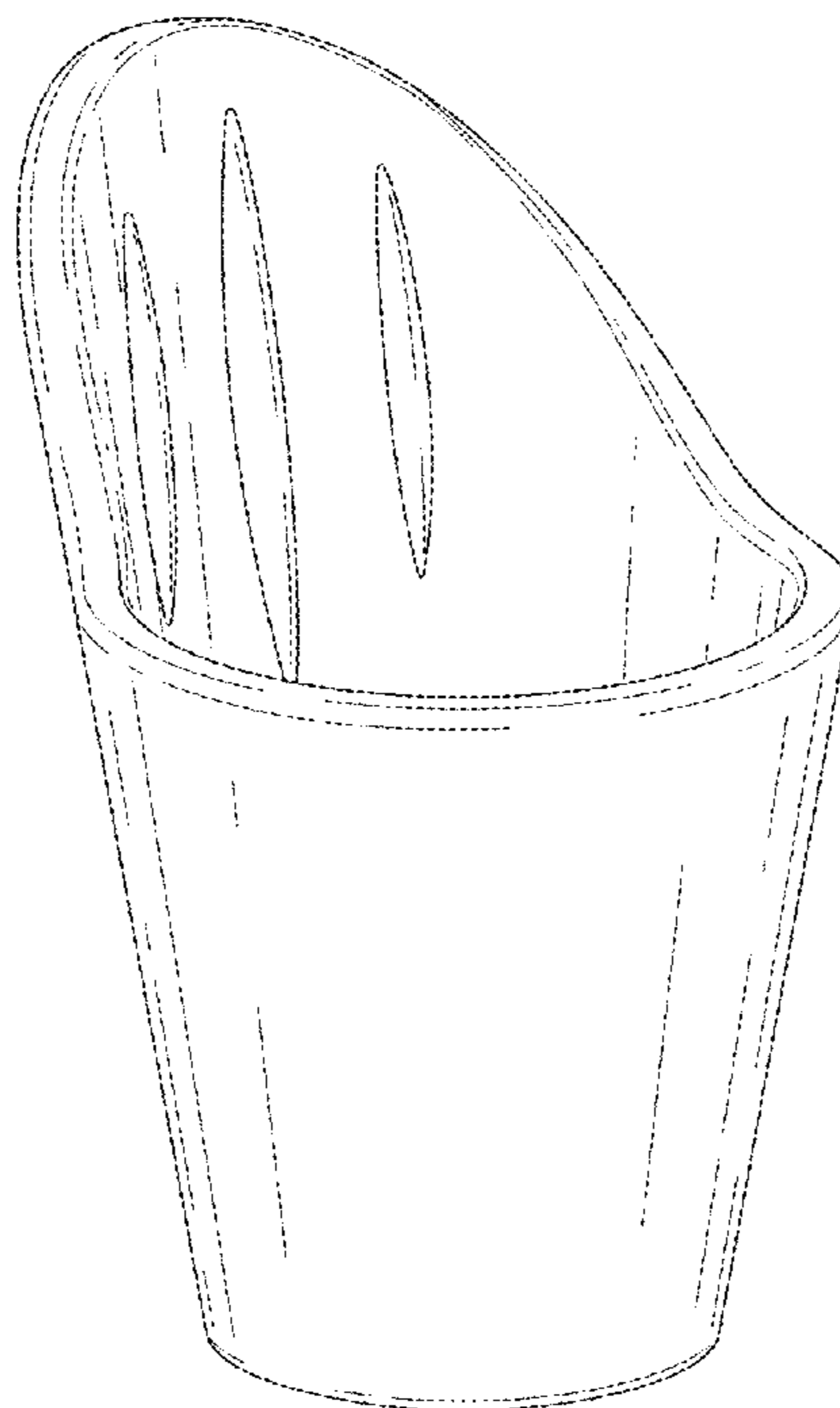
U.S. PATENT DOCUMENTS

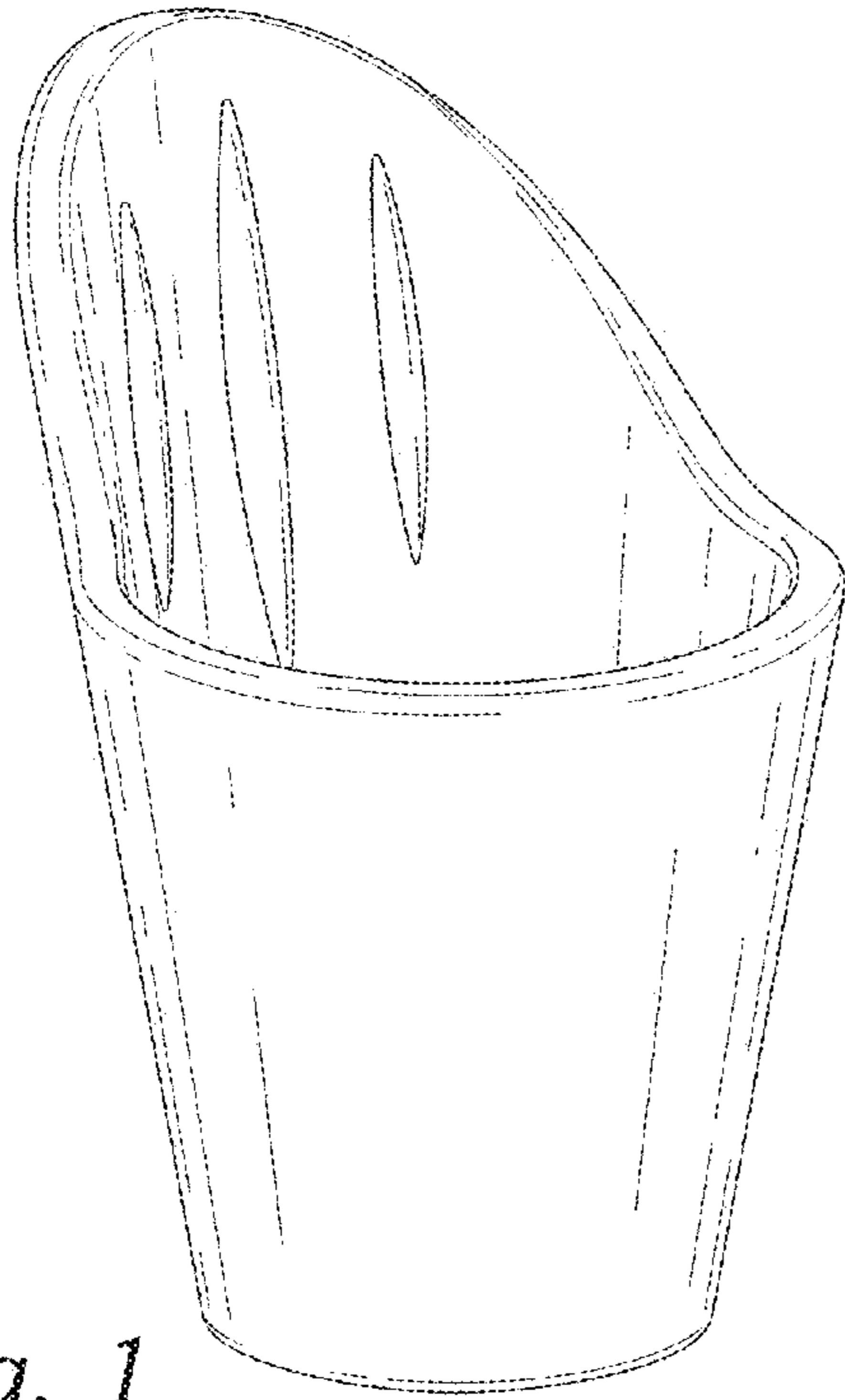
497,940	A	*	5/1893	Scott	.....	220/703
727,212	A	*	5/1903	Scott	.....	220/704
1,543,209	A	*	6/1925	Claude	.....	604/78
D132,178	S	*	4/1942	Holsang	.....	D34/1
D182,921	S	*	5/1958	Ratalon	.....	D7/509

**DESCRIPTION**

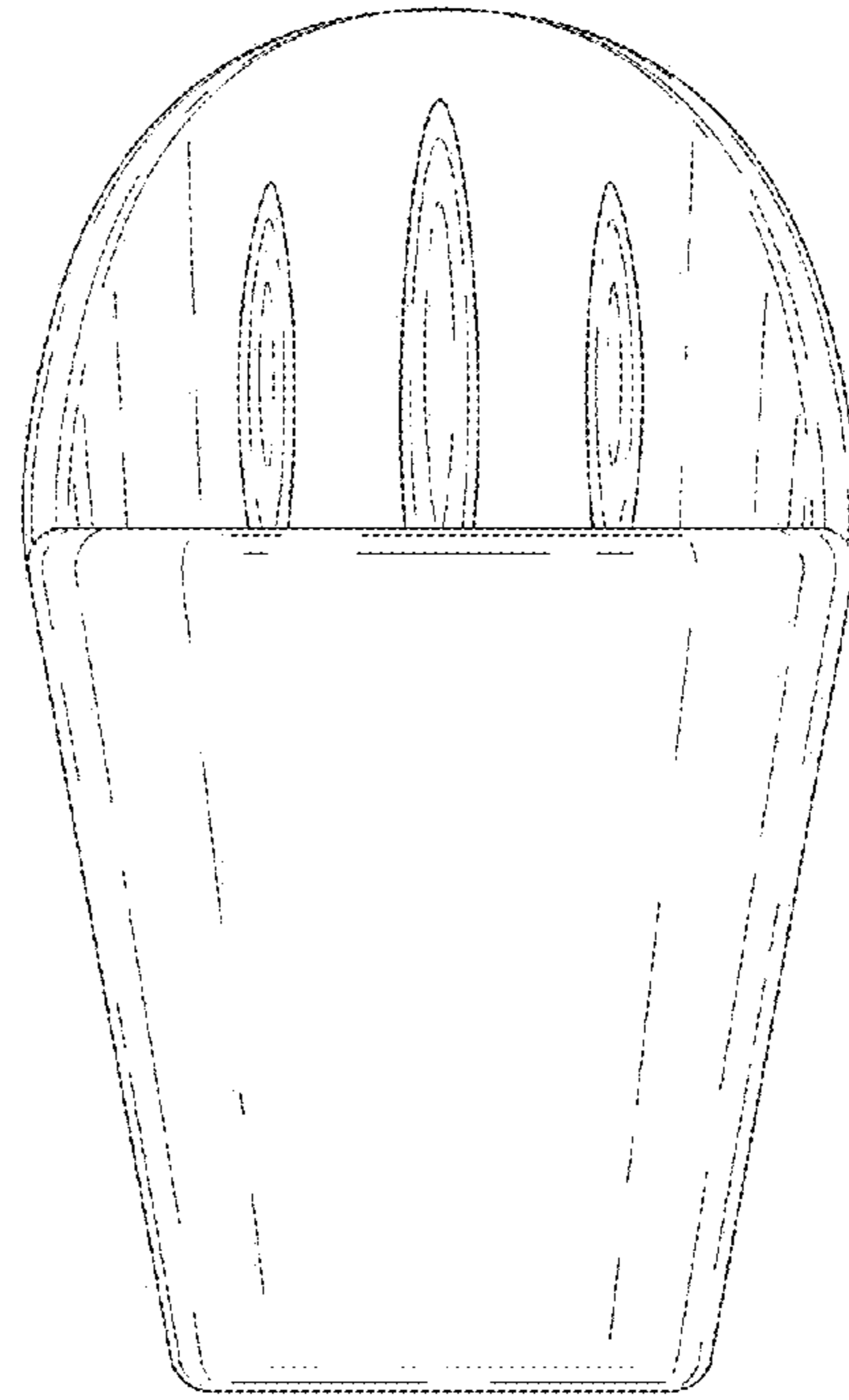
FIG. 1 is a perspective view of a shot glass, showing my new design;  
FIG. 2 is a front elevational view thereof;  
FIG. 3 is a rear elevational view thereof;  
FIG. 4 is a left side elevational view thereof  
FIG. 5 is a right side elevational view thereof;  
FIG. 6 is a top plan view thereof;  
FIG. 7 is a bottom plan view thereof; and,  
FIG. 8 is a sectional view taken along line 8-8 of FIG. 6.

**1 Claim, 2 Drawing Sheets**

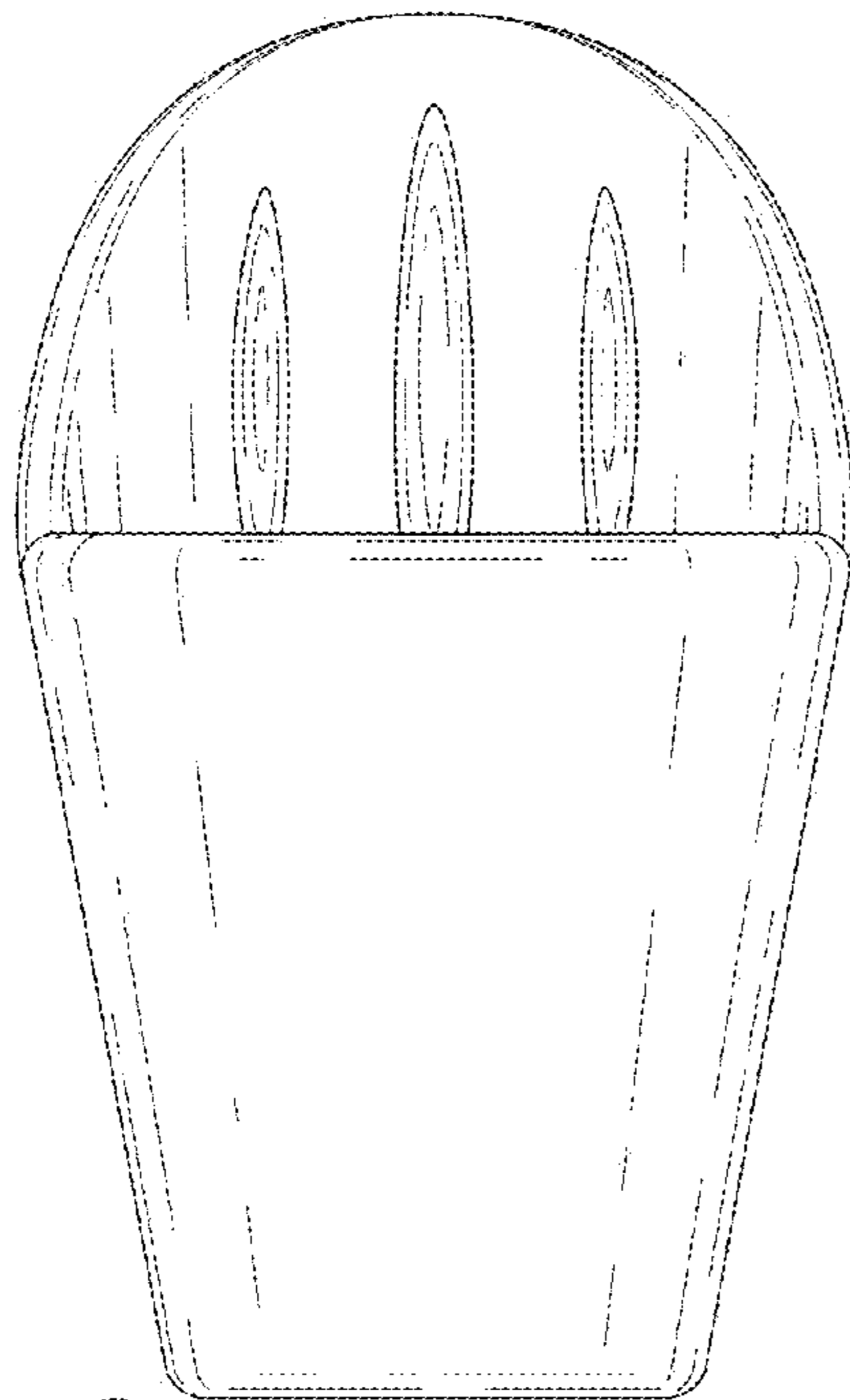




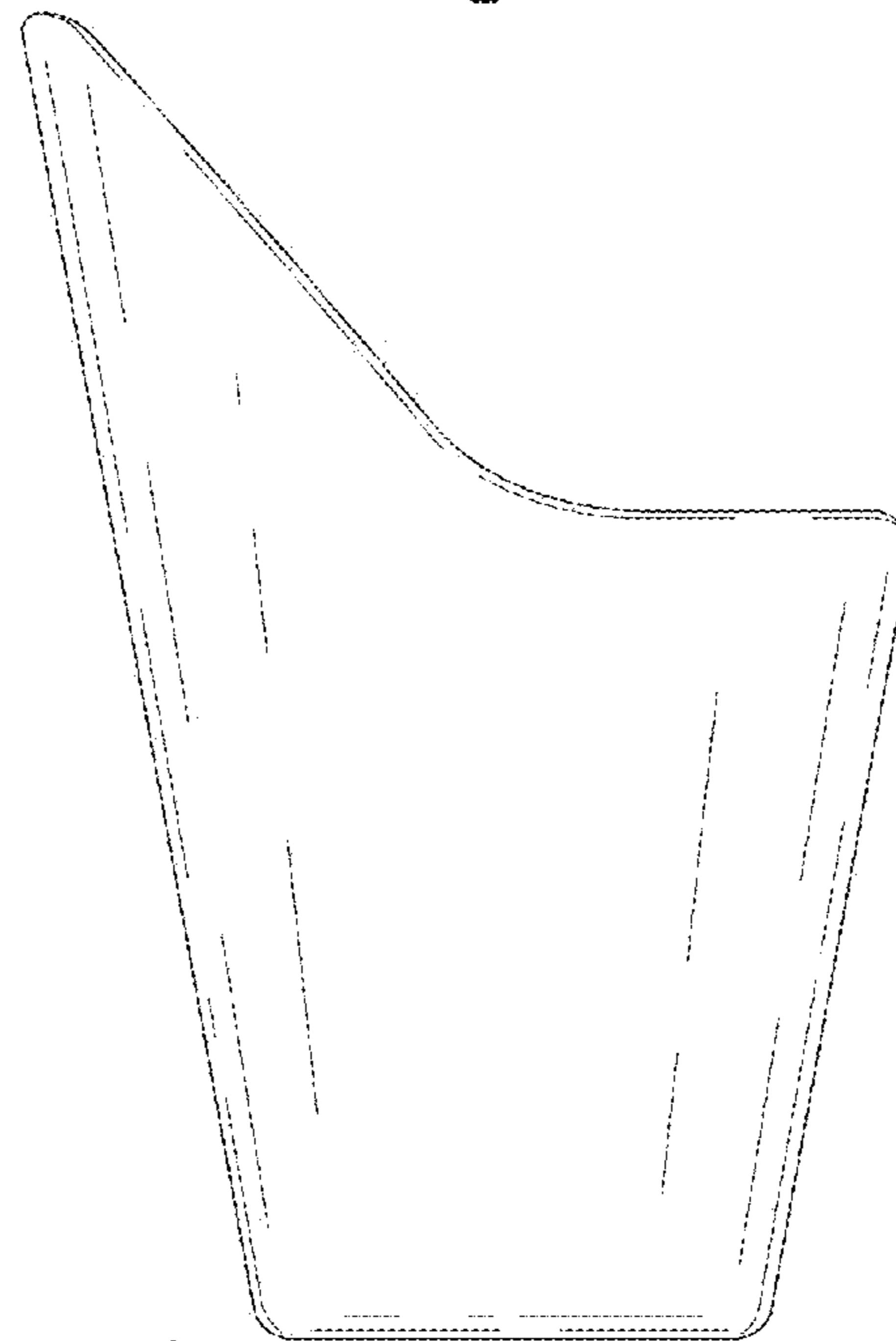
*Fig. 1*



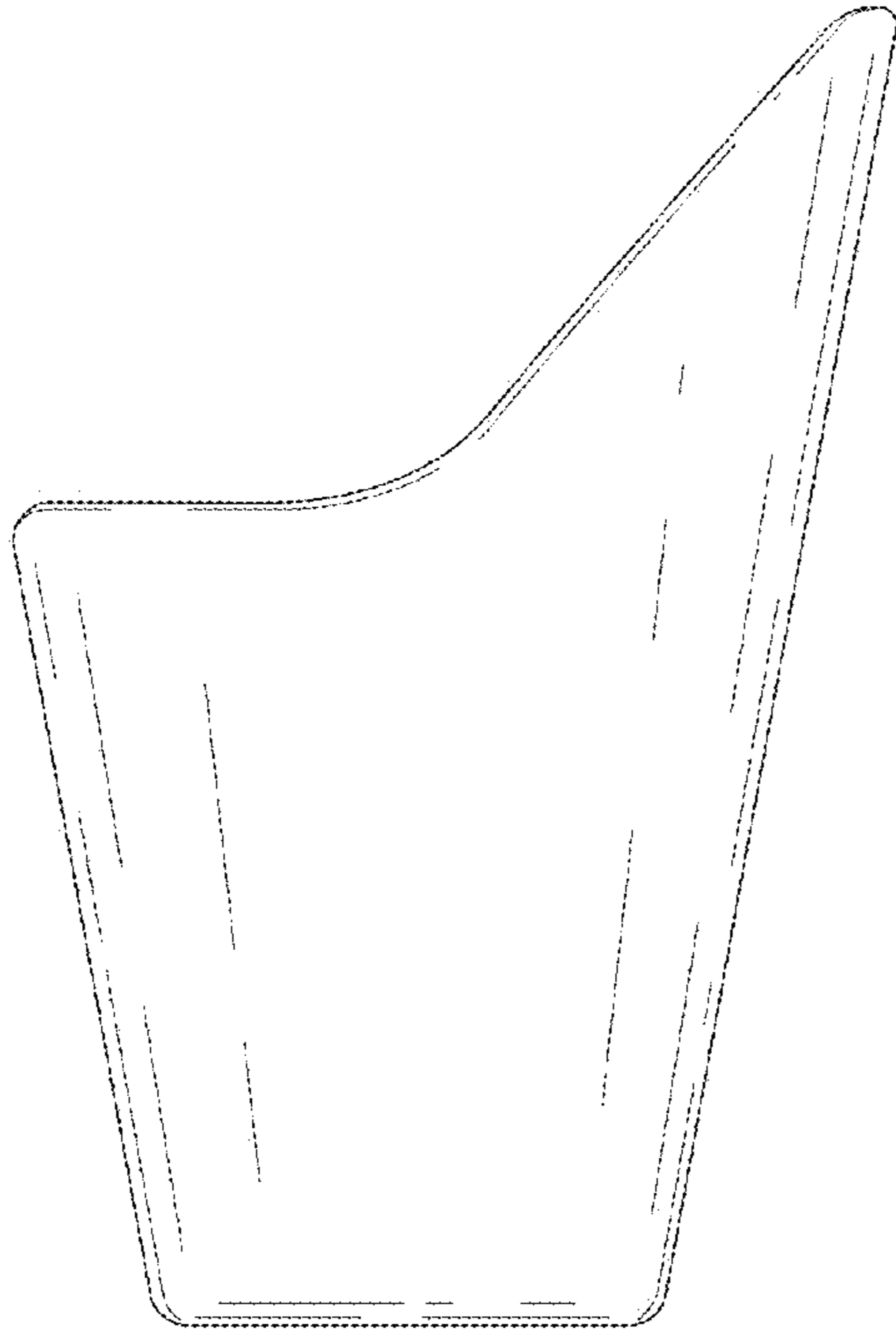
*Fig. 2*



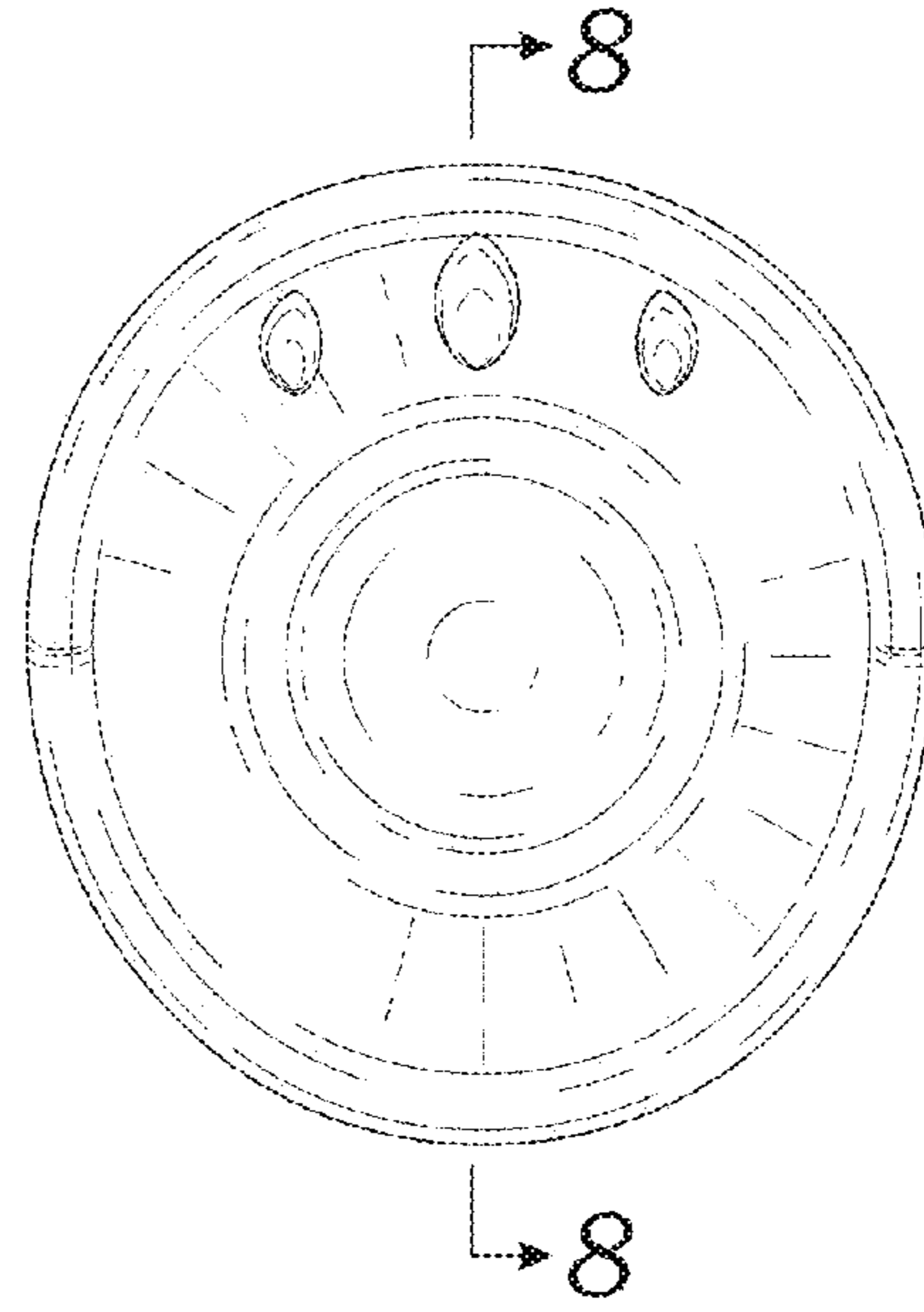
*Fig. 3*



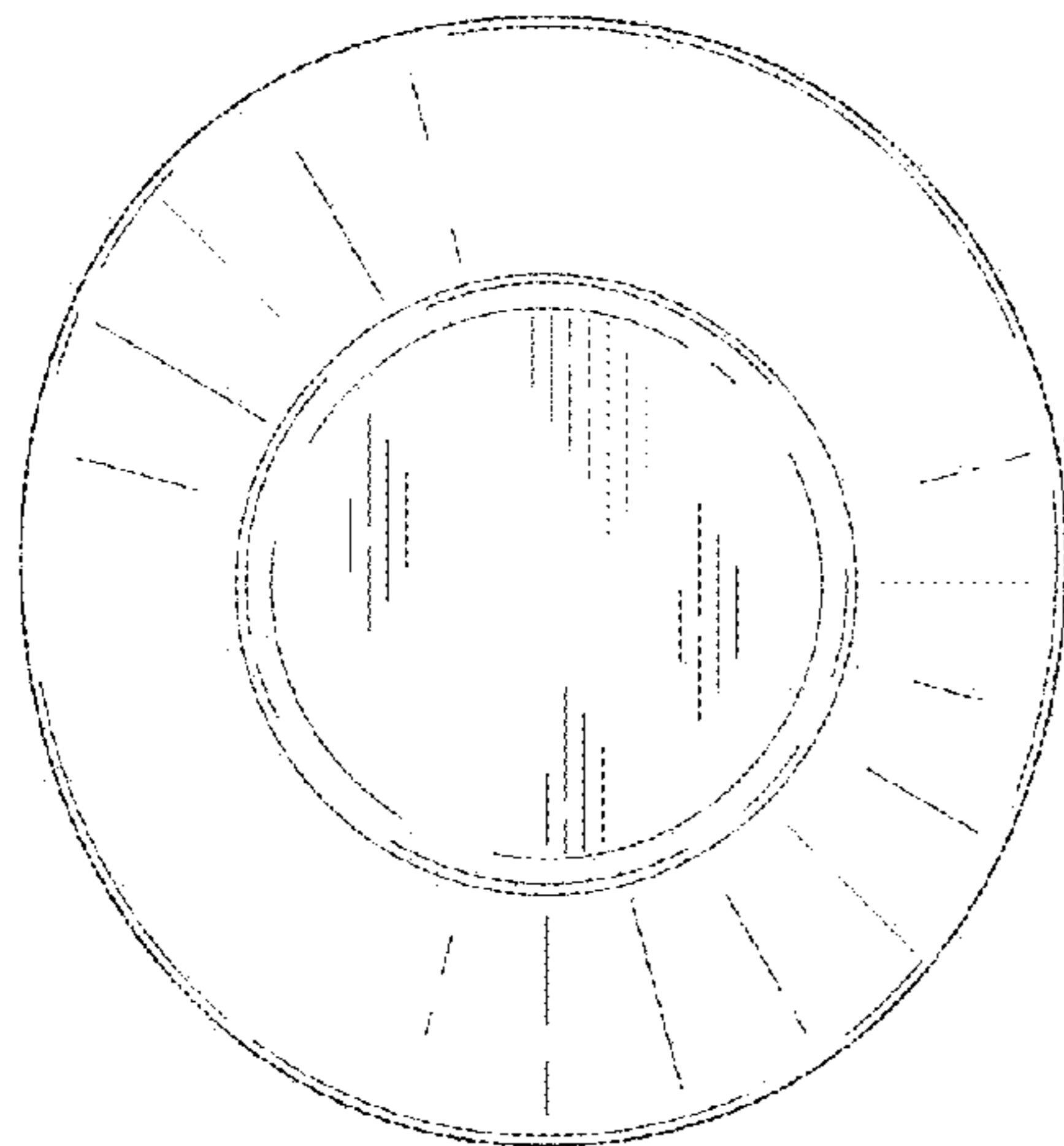
*Fig. 4*



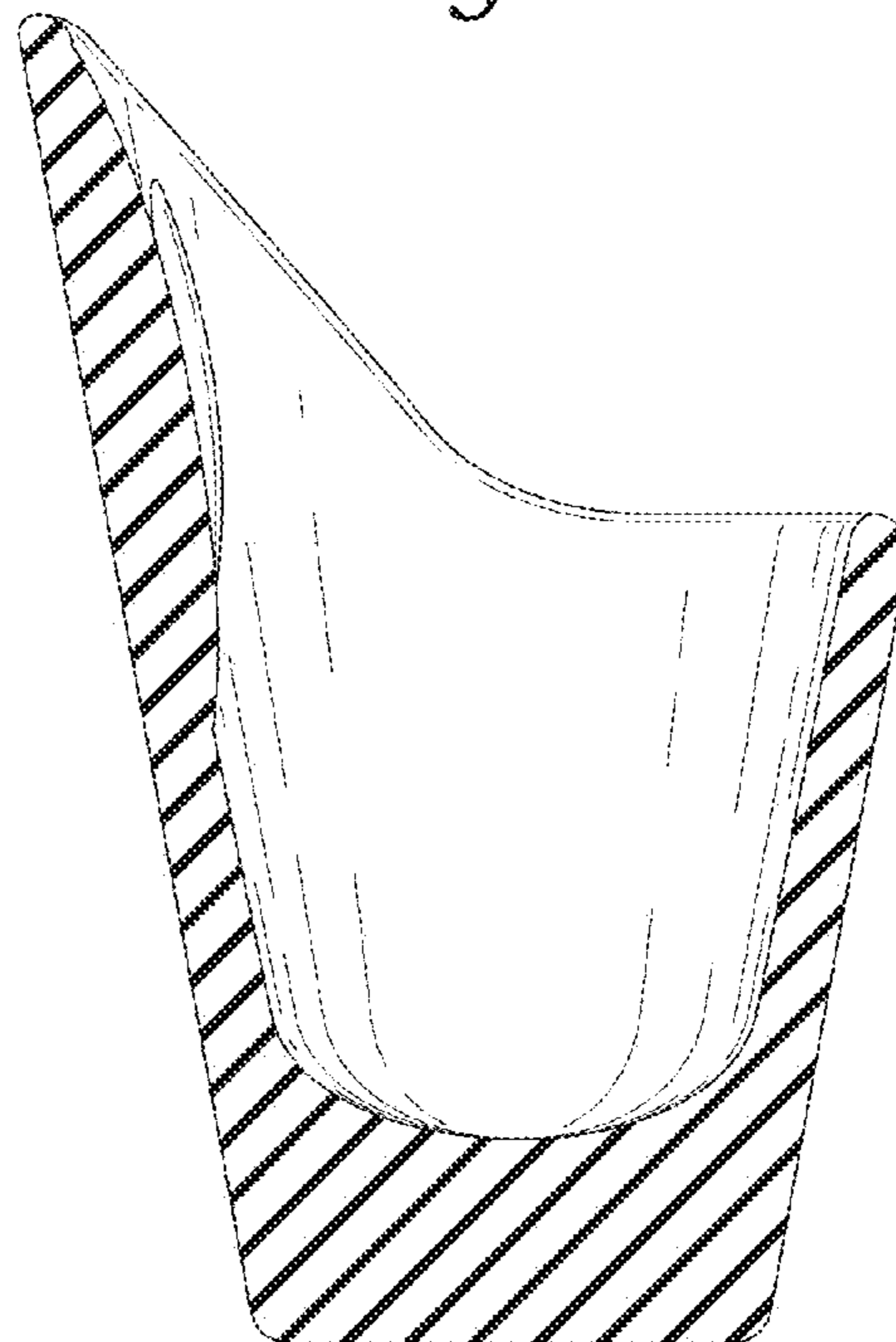
*Fig. 5*



*Fig. 6*



*Fig. 7*



*Fig. 8*