



US00D722823S

(12) **United States Design Patent**
Del Mar Menendez

(10) **Patent No.:** **US D722,823 S**
(45) **Date of Patent:** **** Feb. 24, 2015**

- (54) **CUP**
- (71) Applicant: **Betania Maria Del Mar Menendez**,
Winnetka, CA (US)
- (72) Inventor: **Betania Maria Del Mar Menendez**,
Winnetka, CA (US)
- (**) Term: **14 Years**
- (21) Appl. No.: **29/447,789**
- (22) Filed: **Mar. 6, 2013**
- (51) **LOC (10) Cl.** **07-01**
- (52) **U.S. Cl.**
USPC **D7/507; D7/509**
- (58) **Field of Classification Search**
CPC A47G 19/22
USPC D7/514, 515, 517, 522, 509, 523, 507;
D9/624; 222/403, 400; 220/675, 703;
604/78; 206/217, 219; 229/401
See application file for complete search history.

4,039,435	A *	8/1977	Narva	206/217
4,061,782	A	12/1977	Baxter		
D256,077	S *	7/1980	Brockman et al.	D7/507
5,620,724	A *	4/1997	Adler	426/77
6,042,858	A *	3/2000	Kairys	426/119
6,871,995	B2 *	3/2005	Simba	366/129
8,322,875	B2 *	12/2012	Brinson	362/101
8,333,145	B2 *	12/2012	Kowlessar	99/426

FOREIGN PATENT DOCUMENTS

WO WO9502981 2/1995

* cited by examiner

Primary Examiner — Marianne Pandozzi

(74) *Attorney, Agent, or Firm* — Buche & Associates, P.C.;
John K. Buche

(57) **CLAIM**

I claim the ornamental design of a cup, as shown and described.

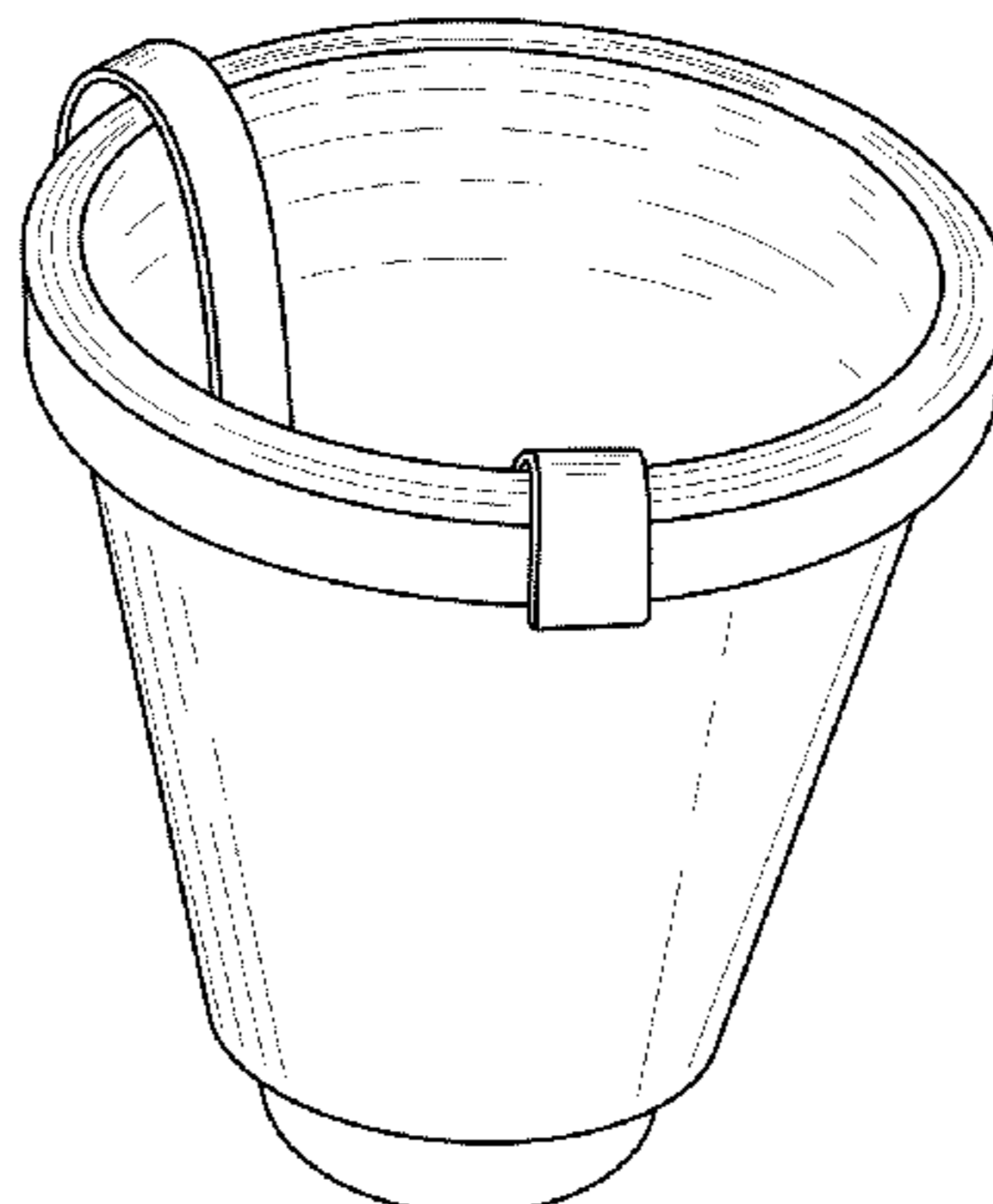
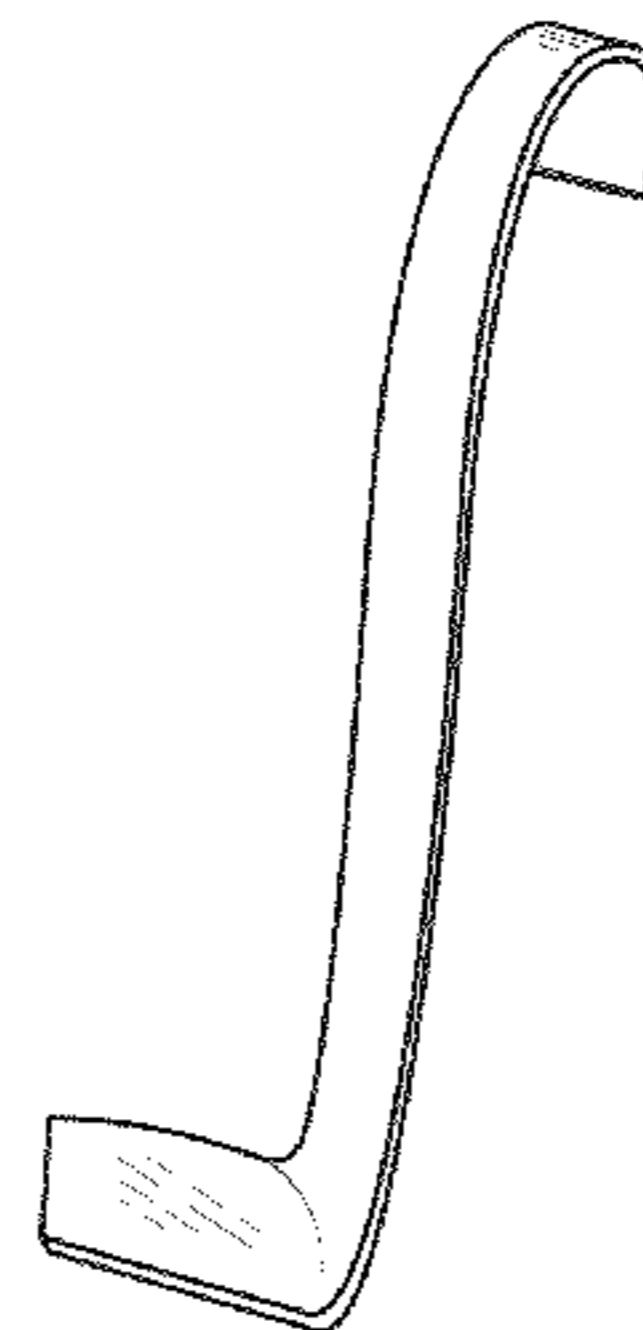
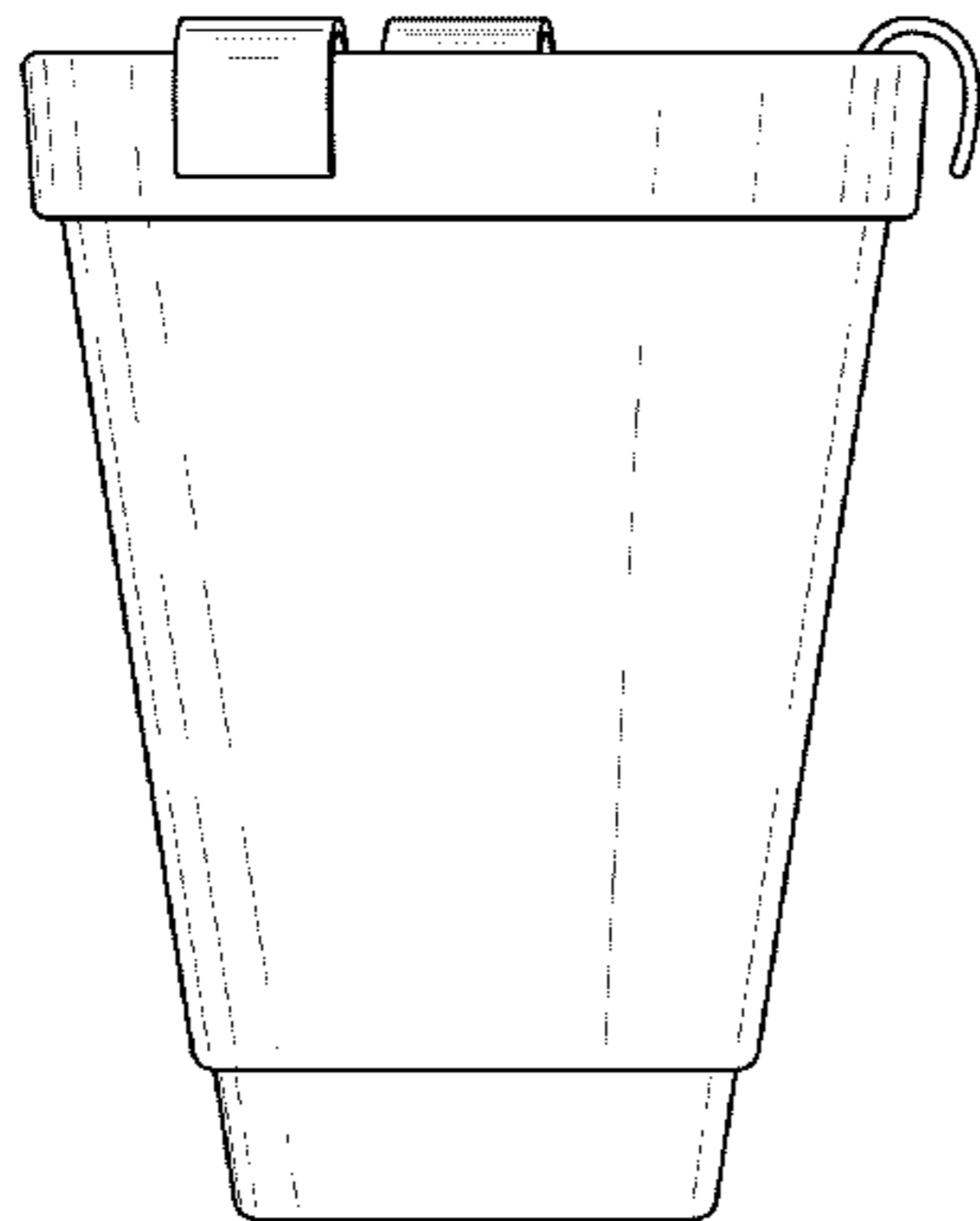
DESCRIPTION

FIG. 1 is a perspective view of a cup showing my new design;
FIG. 2 is a rear view thereof;
FIG. 3 is a front view thereof;
FIG. 4 is a right side view thereof;
FIG. 5 is a left side view thereof;
FIG. 6 is an enlarged top plan view thereof;
FIG. 7 is an enlarged bottom plan view thereof; and,
FIG. 8 is an exploded perspective view thereof.
Items shown in broken lines do not form part of the claimed design.

1 Claim, 5 Drawing Sheets

(56) **References Cited**
U.S. PATENT DOCUMENTS

1,483,015	A *	2/1924	Schnackenberg	426/86
1,709,168	A *	4/1929	Epperson	426/86
1,933,468	A *	10/1933	Abbot	206/217
2,972,406	A *	2/1961	Mayer	426/86
3,407,922	A *	10/1968	Palmer	206/217
3,561,664	A *	2/1971	Palmer	229/120.32
3,606,068	A *	9/1971	Palmer	220/522
3,870,220	A	3/1975	Koury et al.		



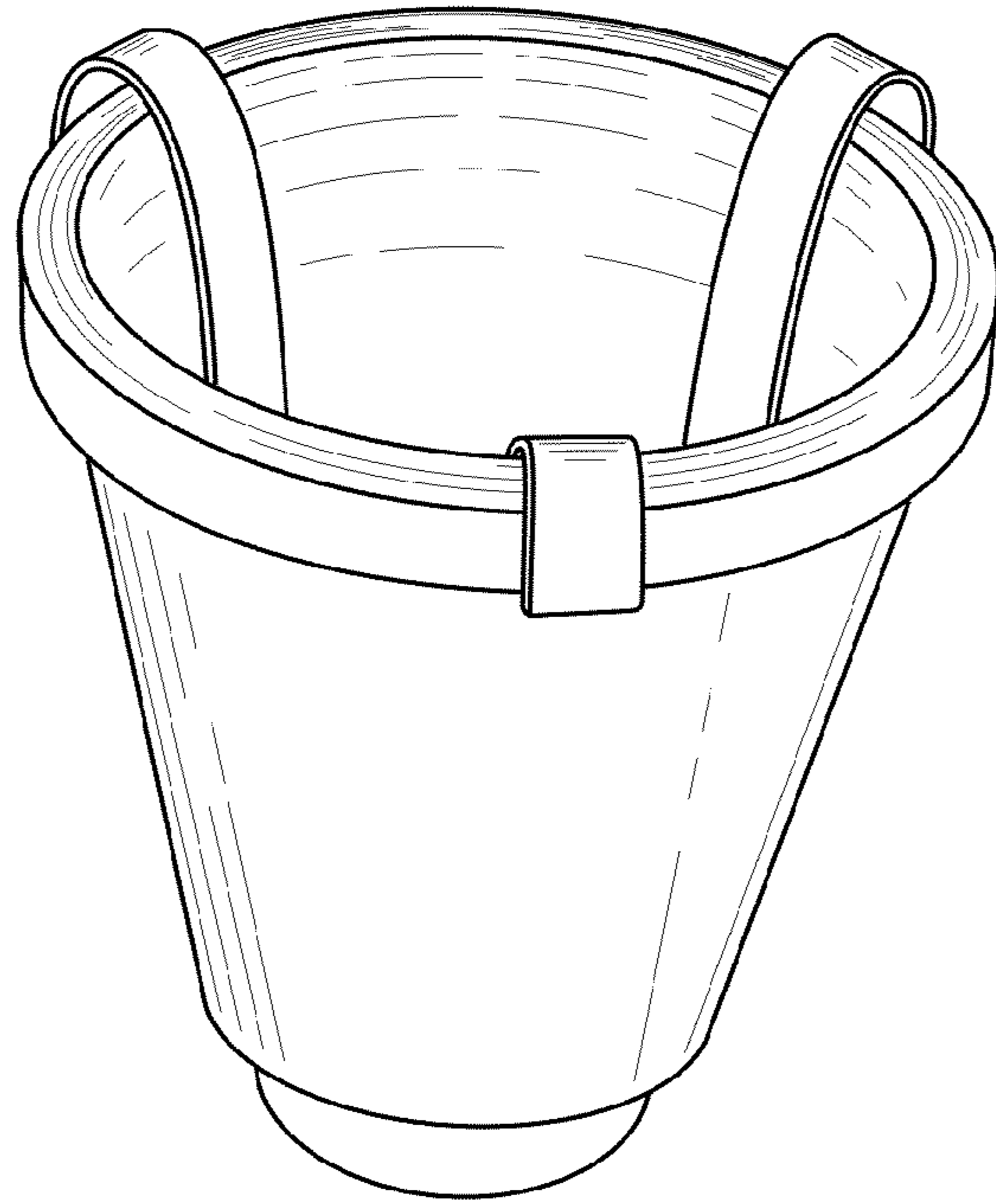


FIG. 1

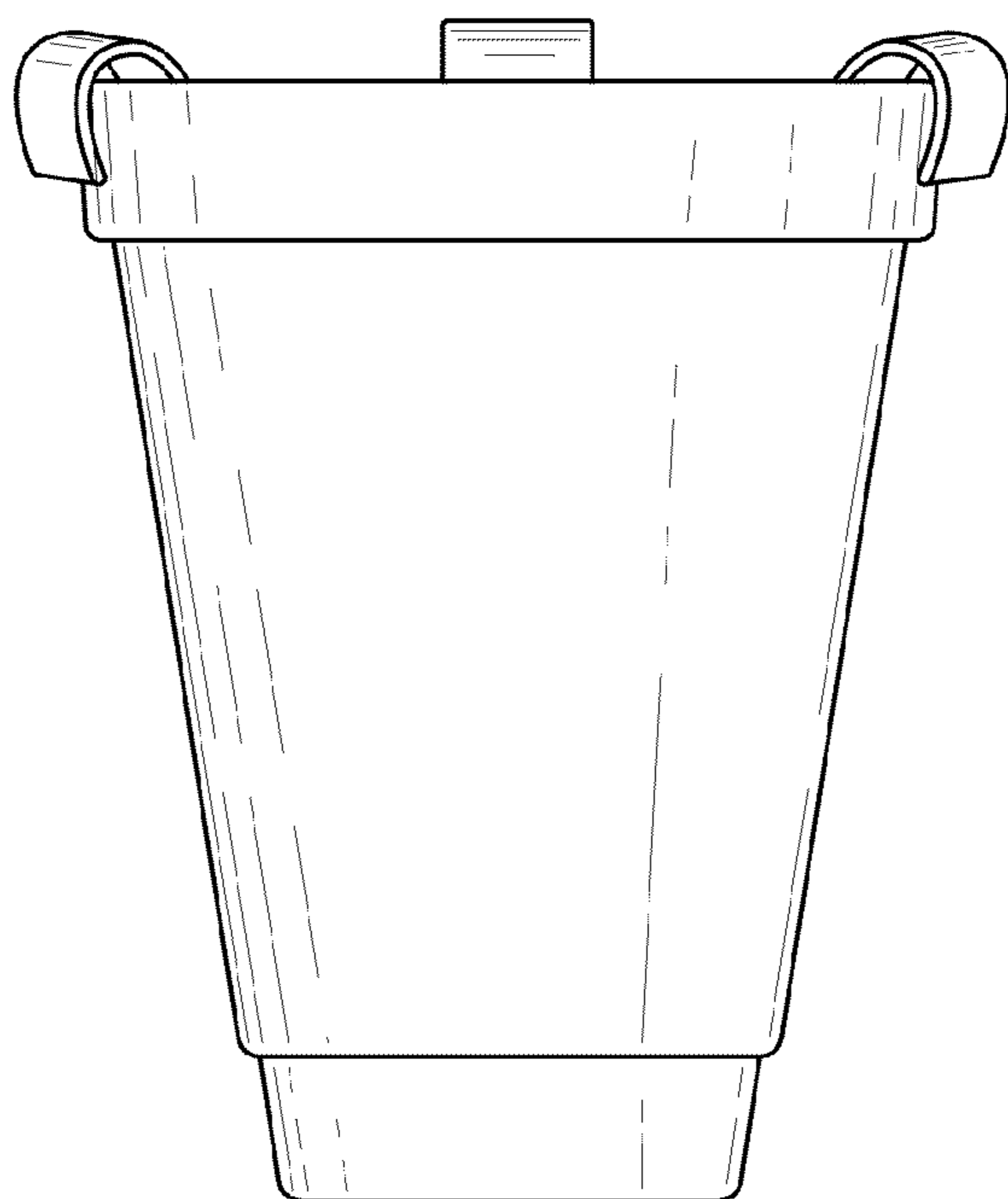


FIG. 2

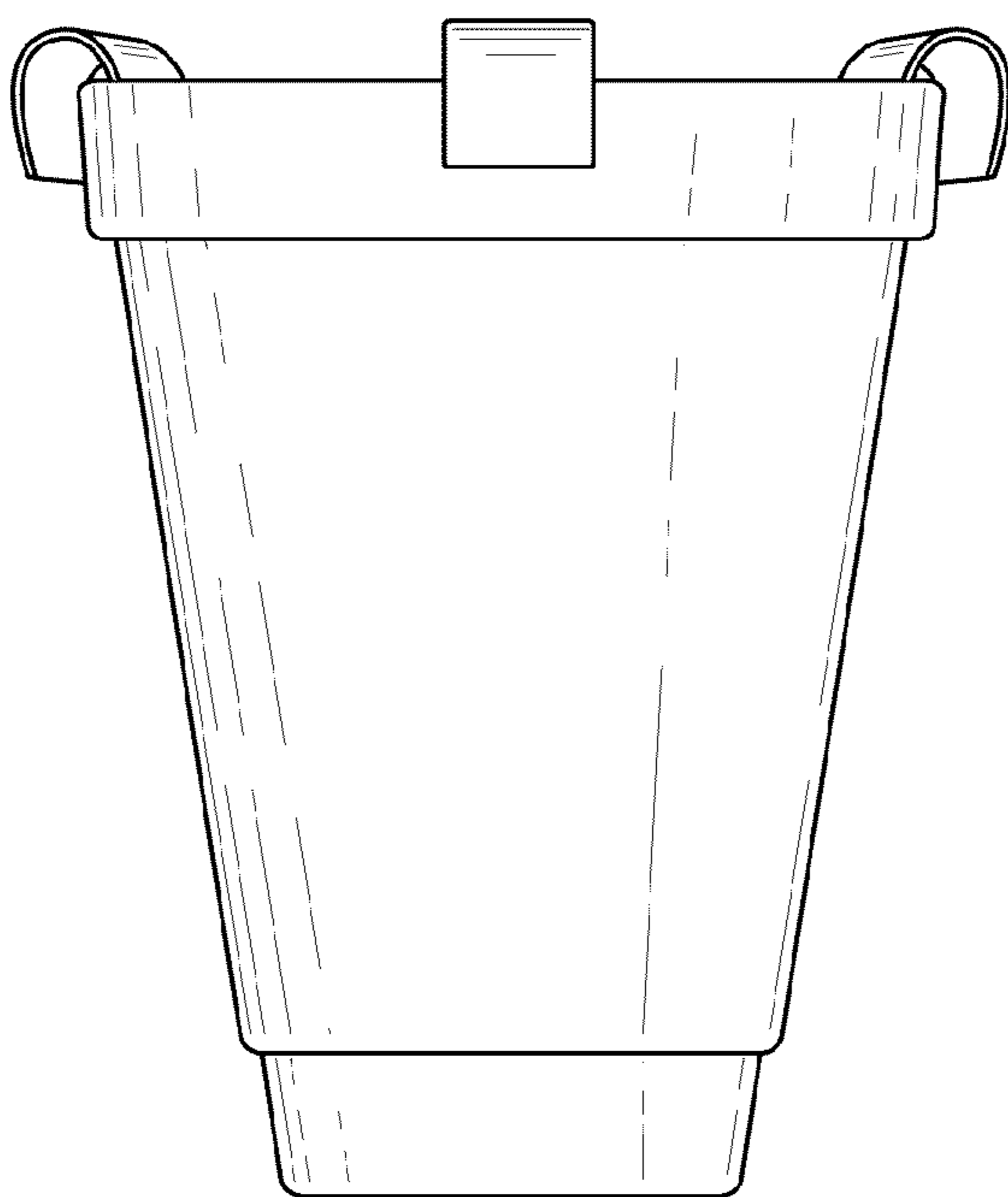


FIG. 3

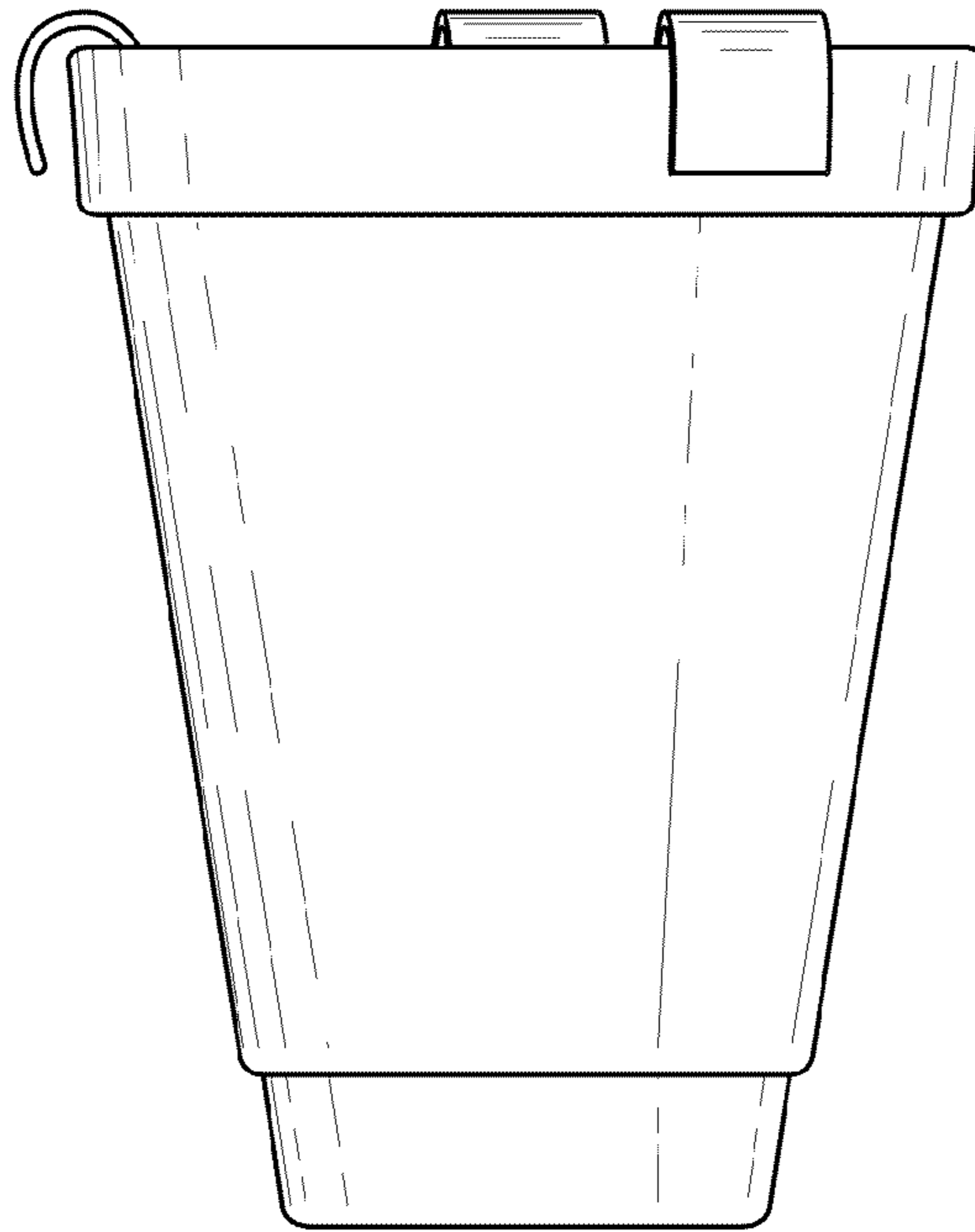


FIG. 4

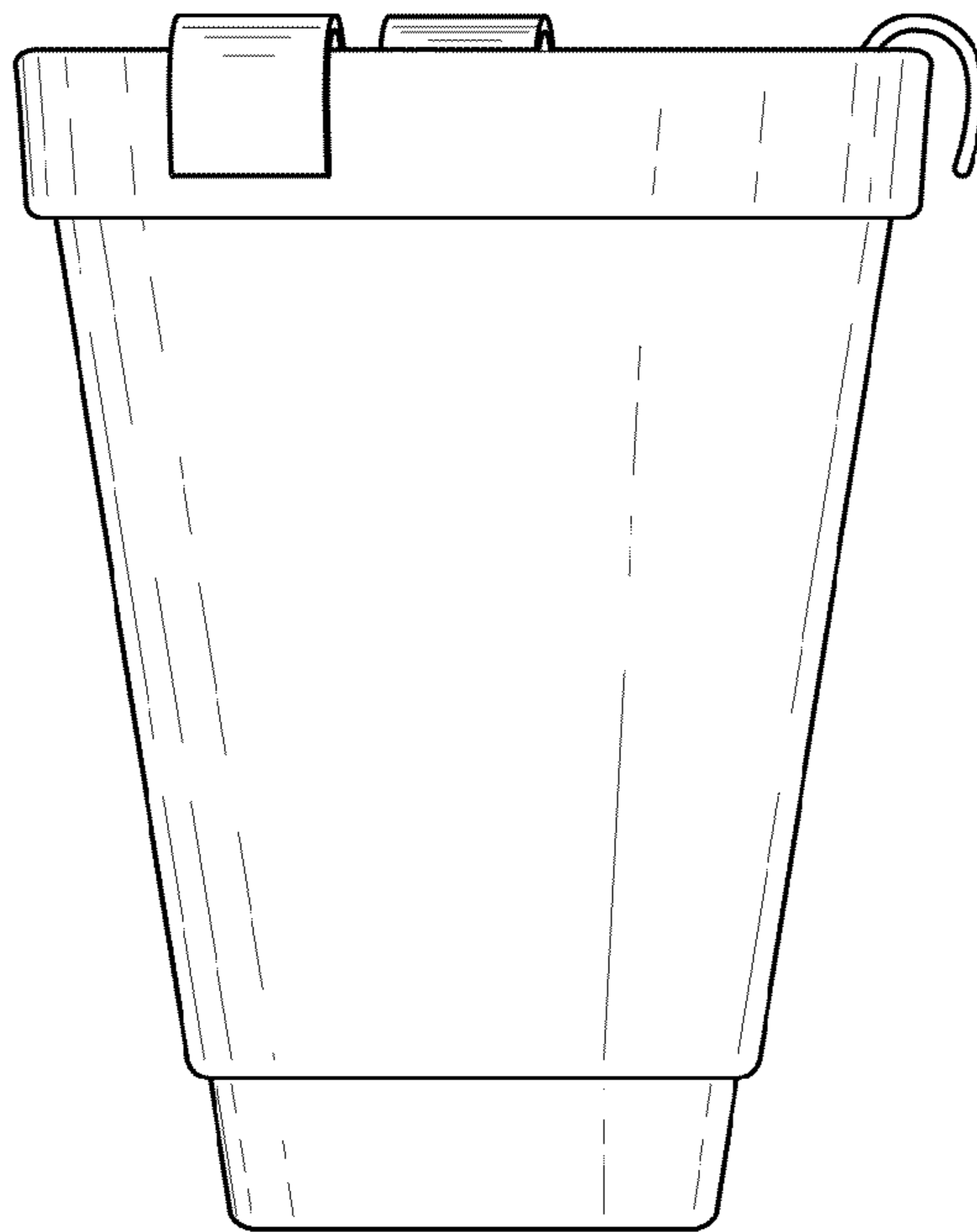


FIG. 5

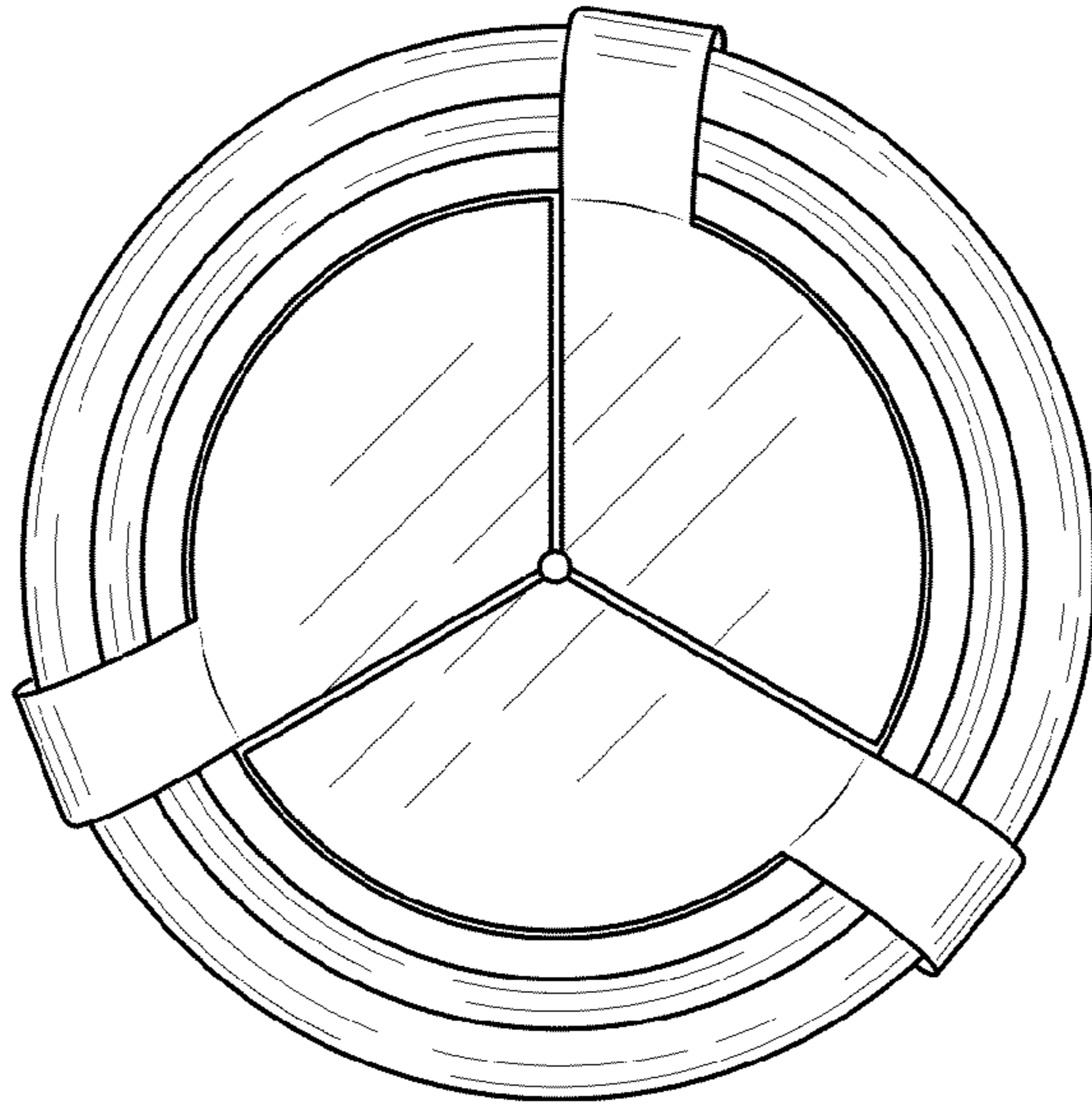


FIG. 6

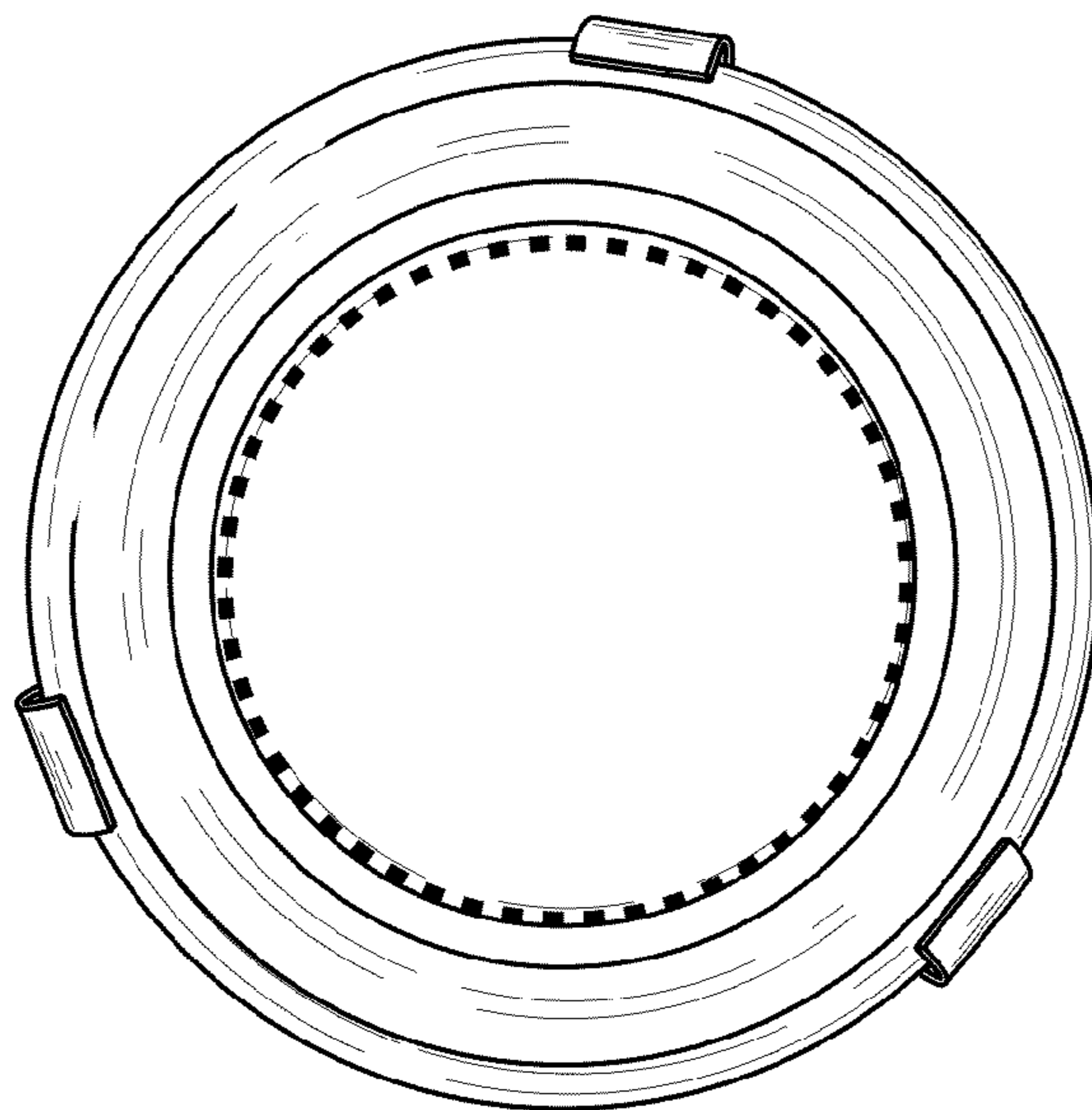


FIG. 7

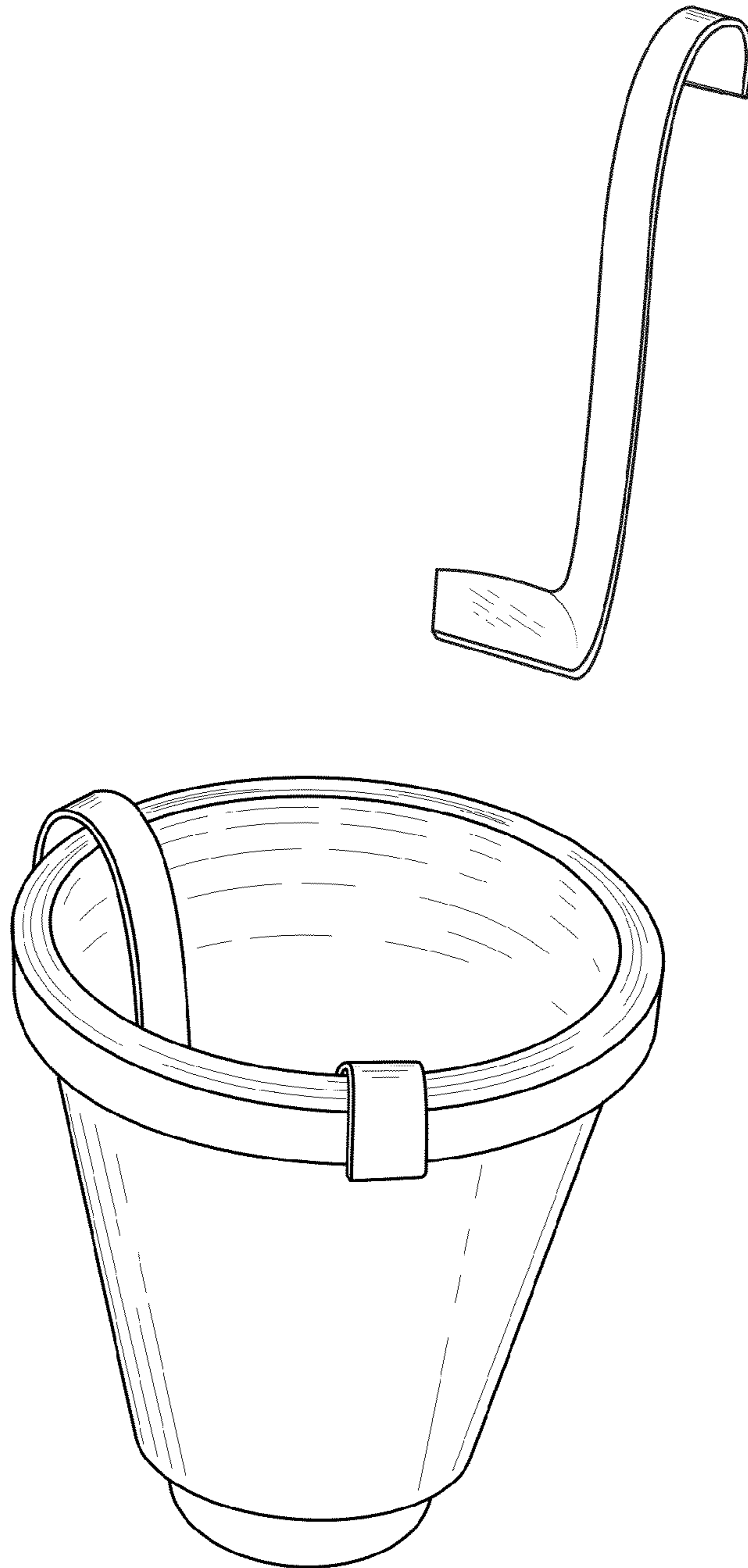


FIG. 8