



US00D722820S

(12) **United States Design Patent**
Pionek et al.

(10) **Patent No.:** **US D722,820 S**
(45) **Date of Patent:** **** Feb. 24, 2015**

(54) **GRILL FOR A COOKTOP**

(74) *Attorney, Agent, or Firm* — Bell & Manning, LLC

(71) Applicant: **Wolf Appliance, Inc.**, Fitchburg, WI (US)

(57) **CLAIM**
We claim the ornamental design for a grill for a cooktop, as shown and described.

(72) Inventors: **Jason C. Pionek**, Madison, WI (US);
Curtis Leroy Cruver, IV, Elmhurst, IL (US); **William Cesare Cesaroni**,
Glenview, IL (US); **Curt P. Vitcenda**,
Edgerton, WI (US)

DESCRIPTION

(73) Assignee: **Wolf Appliance, Inc.**, Fitchburg, WI (US)

FIG. 1 is a top, front, right perspective view including an environment of use of a first embodiment of a grill for a cooktop showing our new design;
FIG. 2 is a bottom, right perspective view of the grill of FIG. 1;
FIG. 3 is a top plan view of the grill of FIG. 1;
FIG. 4 is a bottom plan view of the grill of FIG. 1;
FIG. 5 is a left elevation view of the grill of FIG. 1;
FIG. 6 is a front elevation view of the grill of FIG. 1;
FIG. 7 is a top, front, right perspective view including an environment of use of a second embodiment of a grill for a cooktop showing our new design;
FIG. 8 is a bottom, right perspective view of the grill of FIG. 7;
FIG. 9 is a top plan view of the grill of FIG. 7;
FIG. 10 is a bottom plan view of the grill of FIG. 7;
FIG. 11 is a left elevation view of the grill of FIG. 7; and,
FIG. 12 is a front elevation view of the grill of FIG. 7.

(**) Term: **14 Years**

(21) Appl. No.: **29/490,046**

(22) Filed: **May 6, 2014**

(51) **LOC (10) Cl.** **07-02**

(52) **U.S. Cl.**
USPC **D7/408**

(58) **Field of Classification Search**
USPC D7/336, 337, 339–341, 346–347, 402,
D7/408–409; D23/397, 402; 99/339, 385;
126/40, 211, 214 C, 214 R
See application file for complete search history.

The broken lines in FIGS. 1 and 7 are included for the purpose of illustrating portions of the environment in which the grill for a cooktop is used. The broken lines in FIGS. 1 and 7 form no part of the claimed design. The left and right elevation views of the first embodiment of the grill are identical. The left and right elevation views of the second embodiment of the grill are identical. The front and back elevation views of the first embodiment of the grill are identical. The front and back elevation views of the second embodiment of the grill are identical. Thus, only one view of the left and right elevation views and only one view front and back elevation views has been included.

(56) **References Cited**

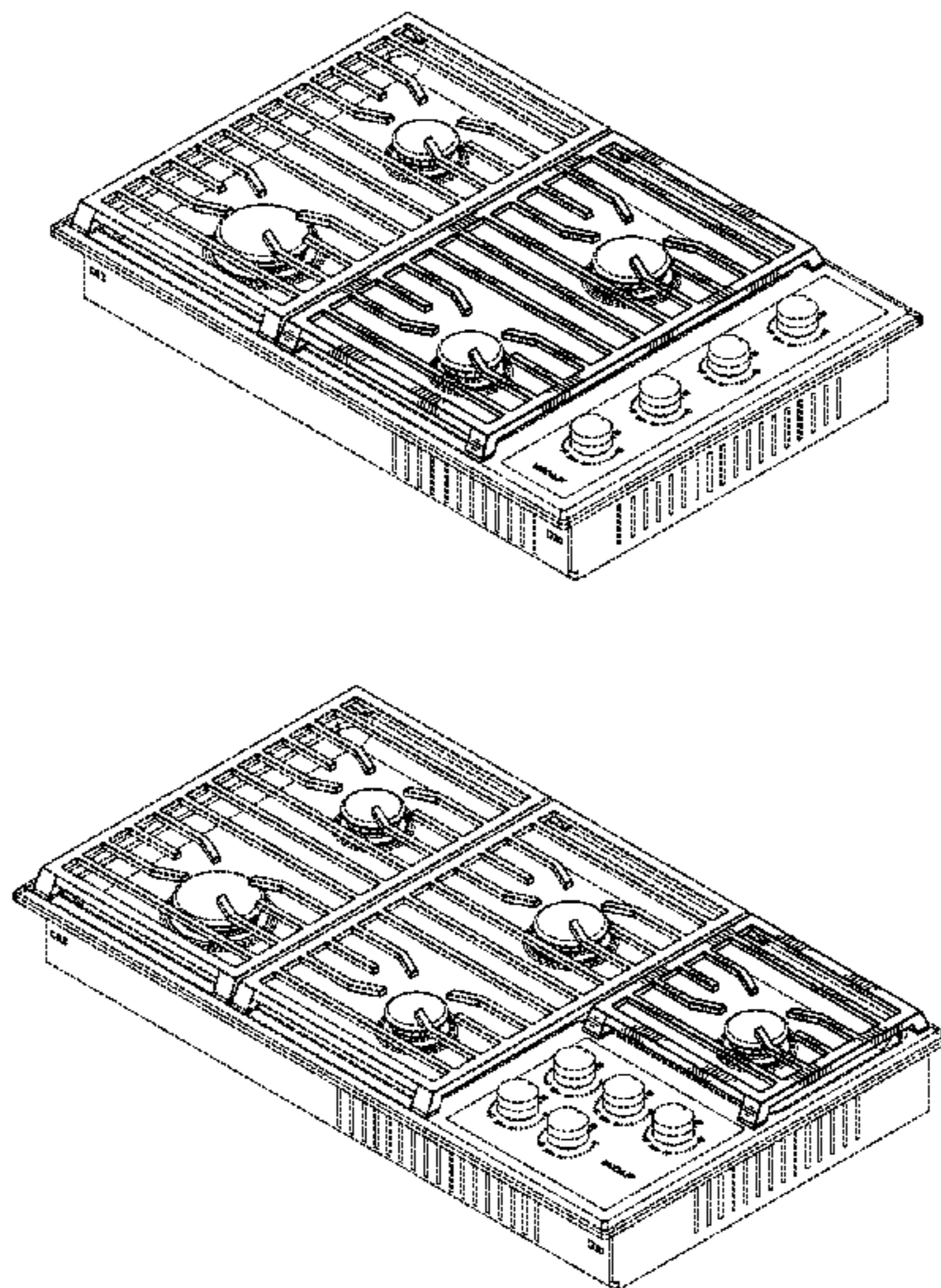
U.S. PATENT DOCUMENTS

D209,436 S	*	11/1967	Myer	D7/408
D214,856 S	*	8/1969	Feldkircher	D7/408
D301,534 S	*	6/1989	Binzer	D7/408
D303,609 S	*	9/1989	Binzer	D7/408
D353,300 S	*	12/1994	Edman et al.	D7/408

(Continued)

Primary Examiner — T. Chase Nelson
Assistant Examiner — Mark Cavanna

1 Claim, 9 Drawing Sheets



(56)

References Cited

U.S. PATENT DOCUMENTS

D367,802 S *	3/1996	Lewis et al.	D7/408	D615,801 S *	5/2010	Grey et al.	D7/346
D369,062 S *	4/1996	Holbrook, Jr.	D7/408	D616,247 S *	5/2010	Fuller et al.	D7/408
D371,277 S *	7/1996	Pink	D7/408	D616,696 S *	6/2010	Grey et al.	D7/346
D401,112 S *	11/1998	Miller	D7/408	D628,017 S *	11/2010	Funnell et al.	D7/408
D479,942 S *	9/2003	Pottenger et al.	D7/346	D633,337 S *	3/2011	Funnell et al.	D7/408
D524,601 S *	7/2006	Vetter	D7/408	D643,683 S *	8/2011	Funnell et al.	D7/408
D564,838 S *	3/2008	Shin et al.	D7/409	D651,464 S *	1/2012	Funnell et al.	D7/408
D602,738 S *	10/2009	Bengtson et al.	D7/408	D658,440 S *	5/2012	Funnell et al.	D7/408
D615,345 S *	5/2010	Grey et al.	D7/346	D678,723 S *	3/2013	Funnell et al.	D7/408
				D684,424 S *	6/2013	Funnell et al.	D7/408
				D697,756 S *	1/2014	Segers et al.	D7/408
				D703,484 S *	4/2014	Boo et al.	D7/408

* cited by examiner

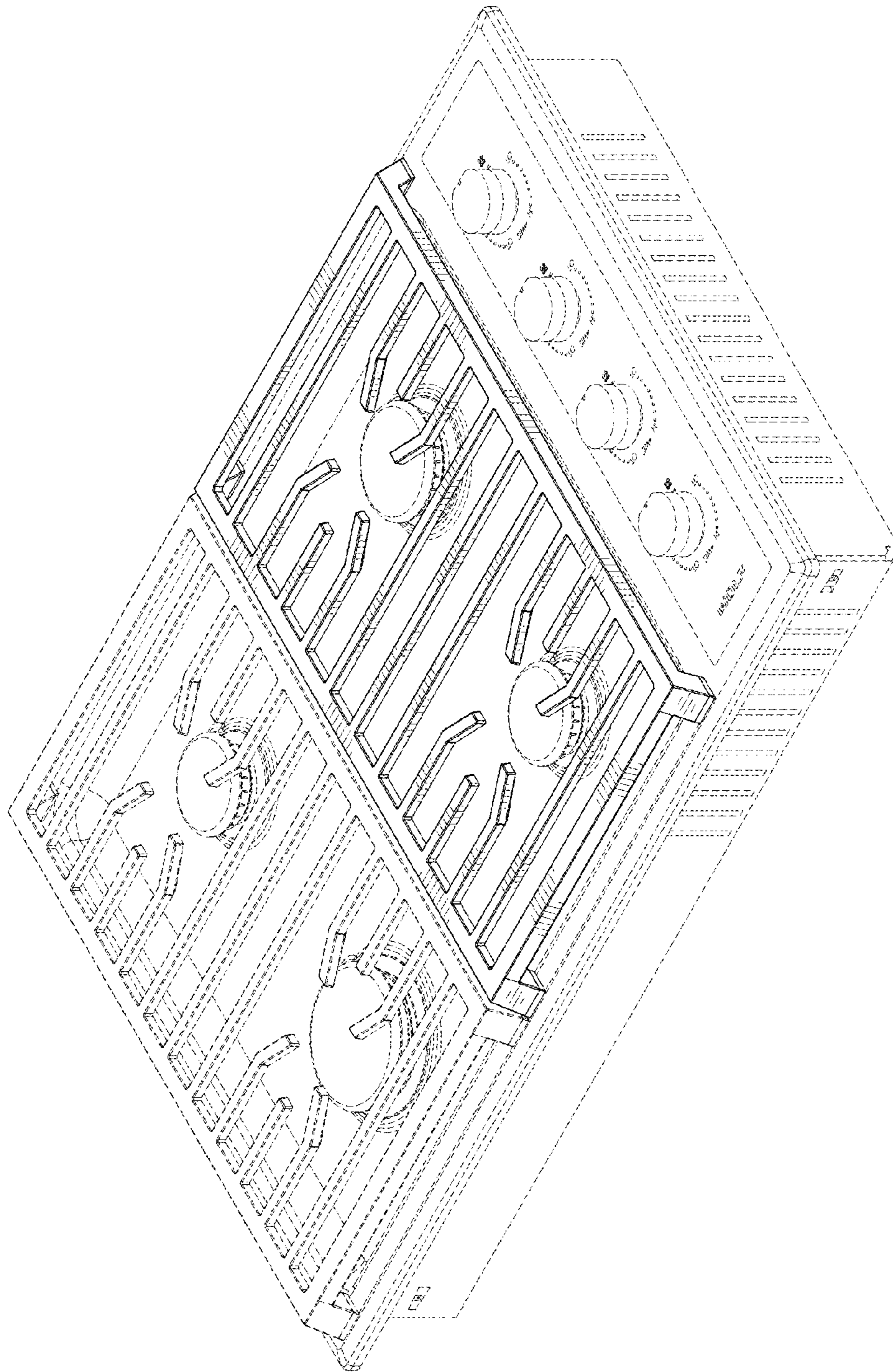


FIG. 1

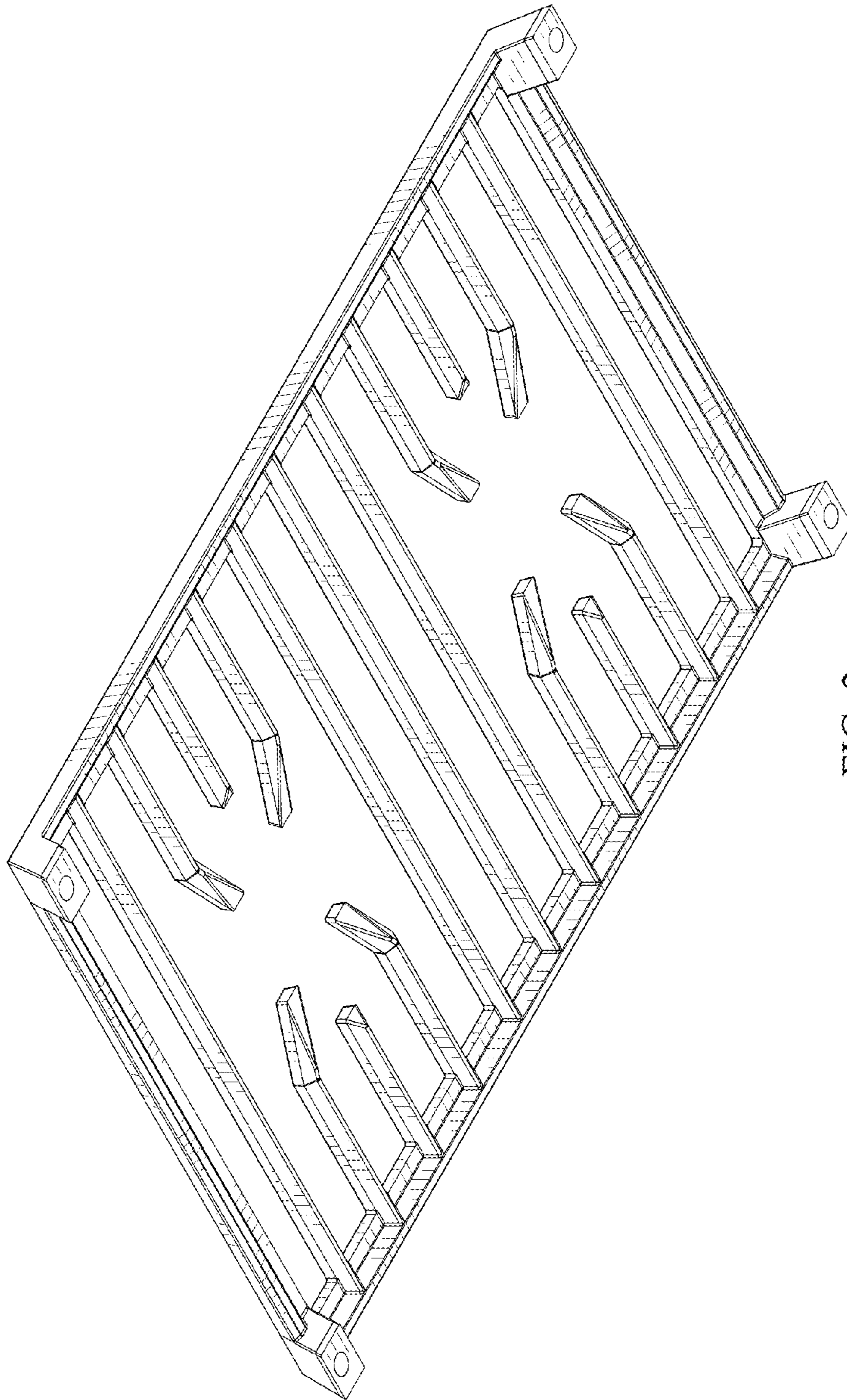


FIG. 2

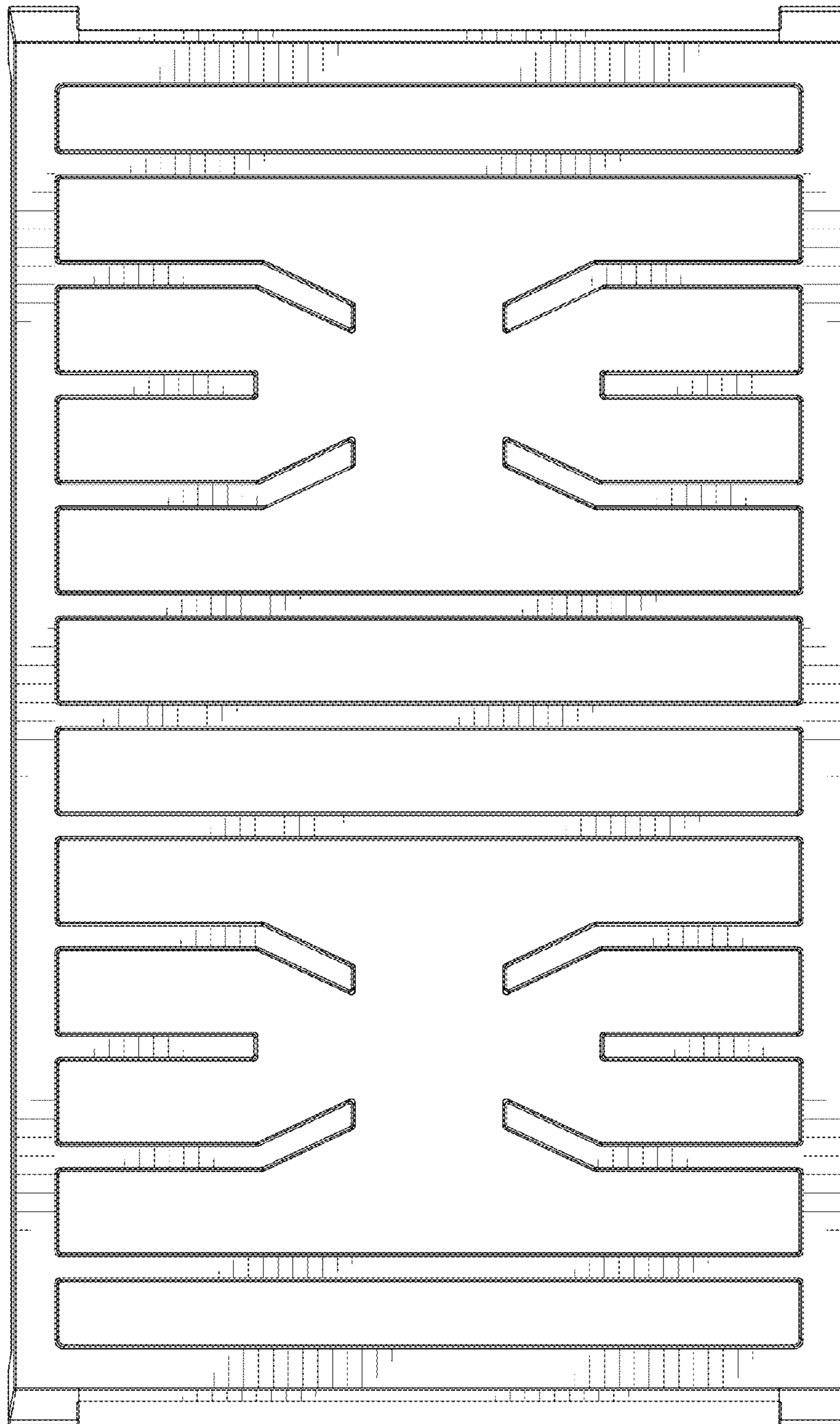


FIG. 3

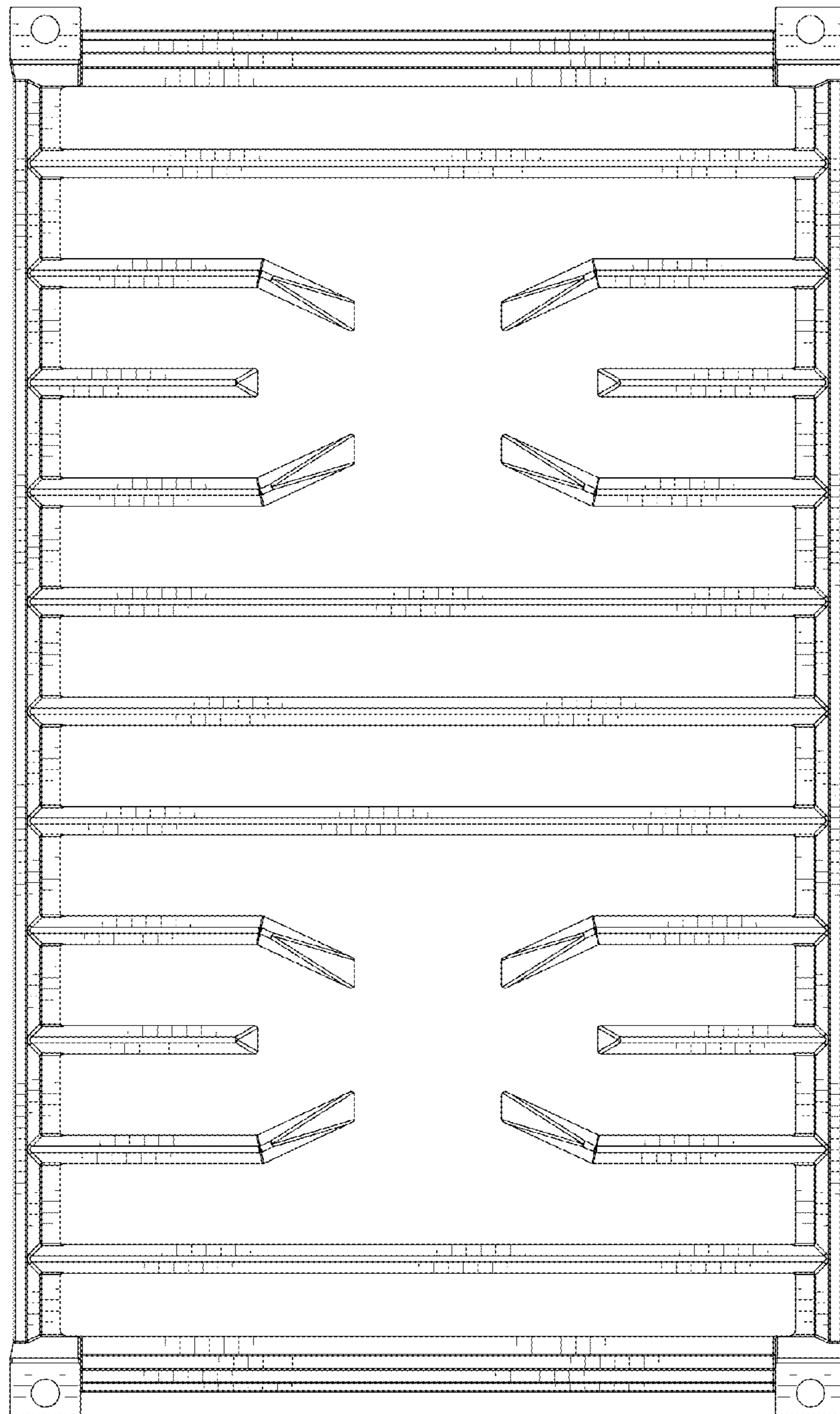


FIG. 4

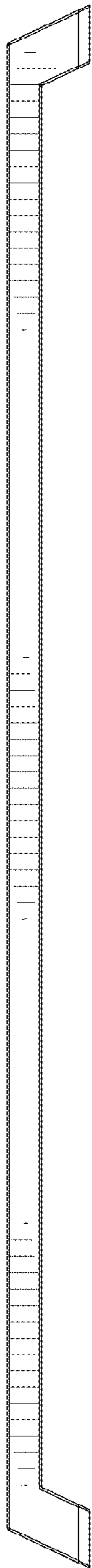


FIG. 5

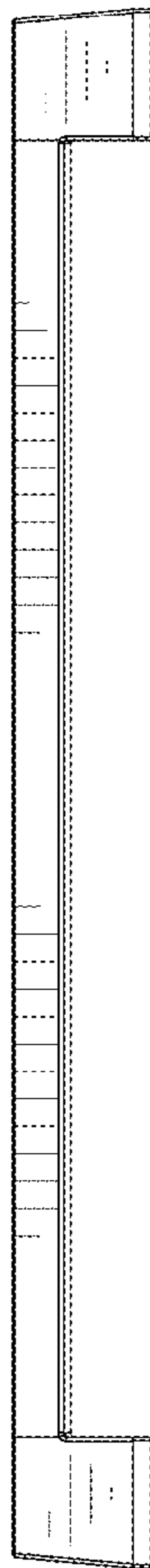


FIG. 6

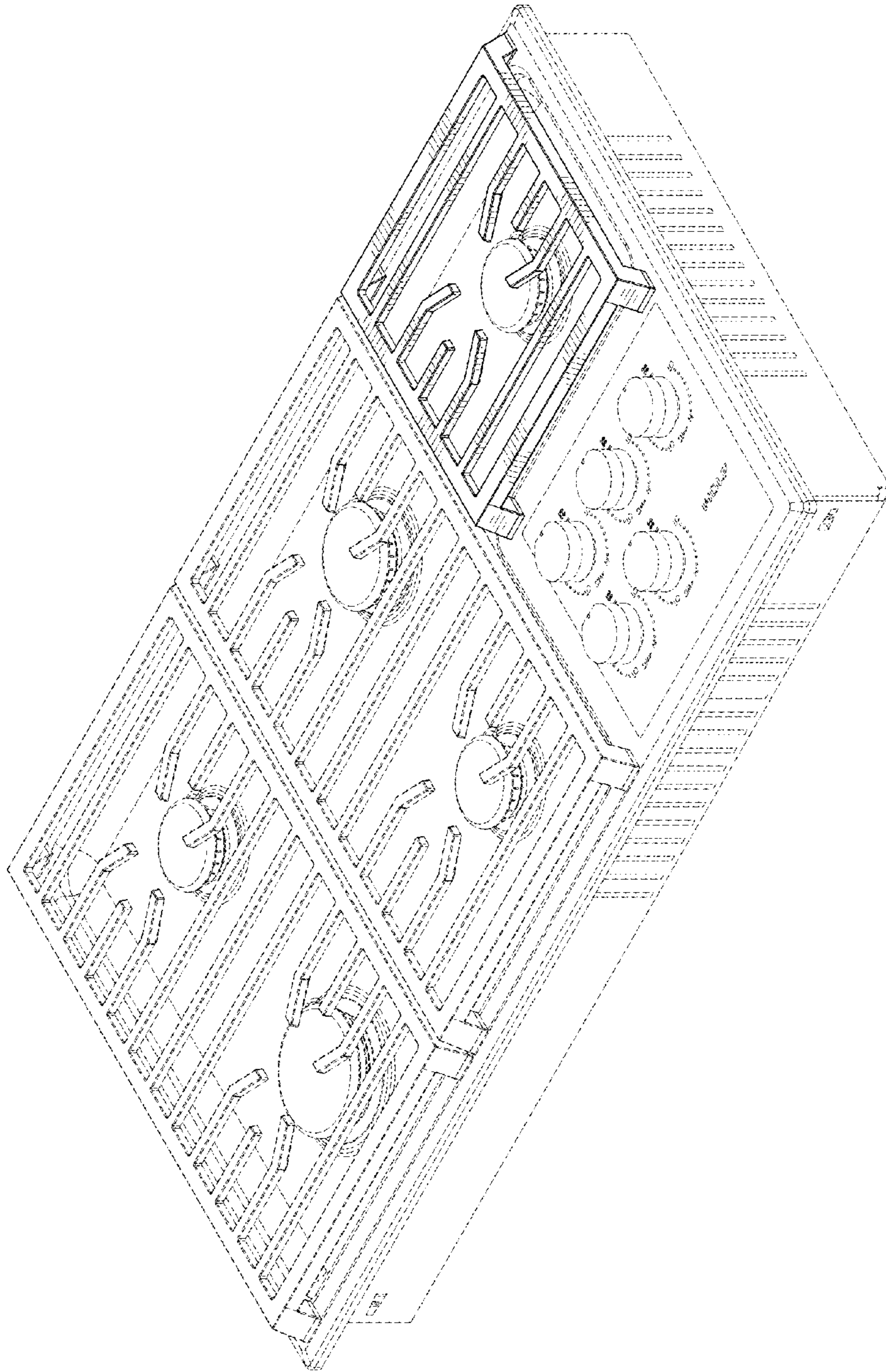


FIG. 7

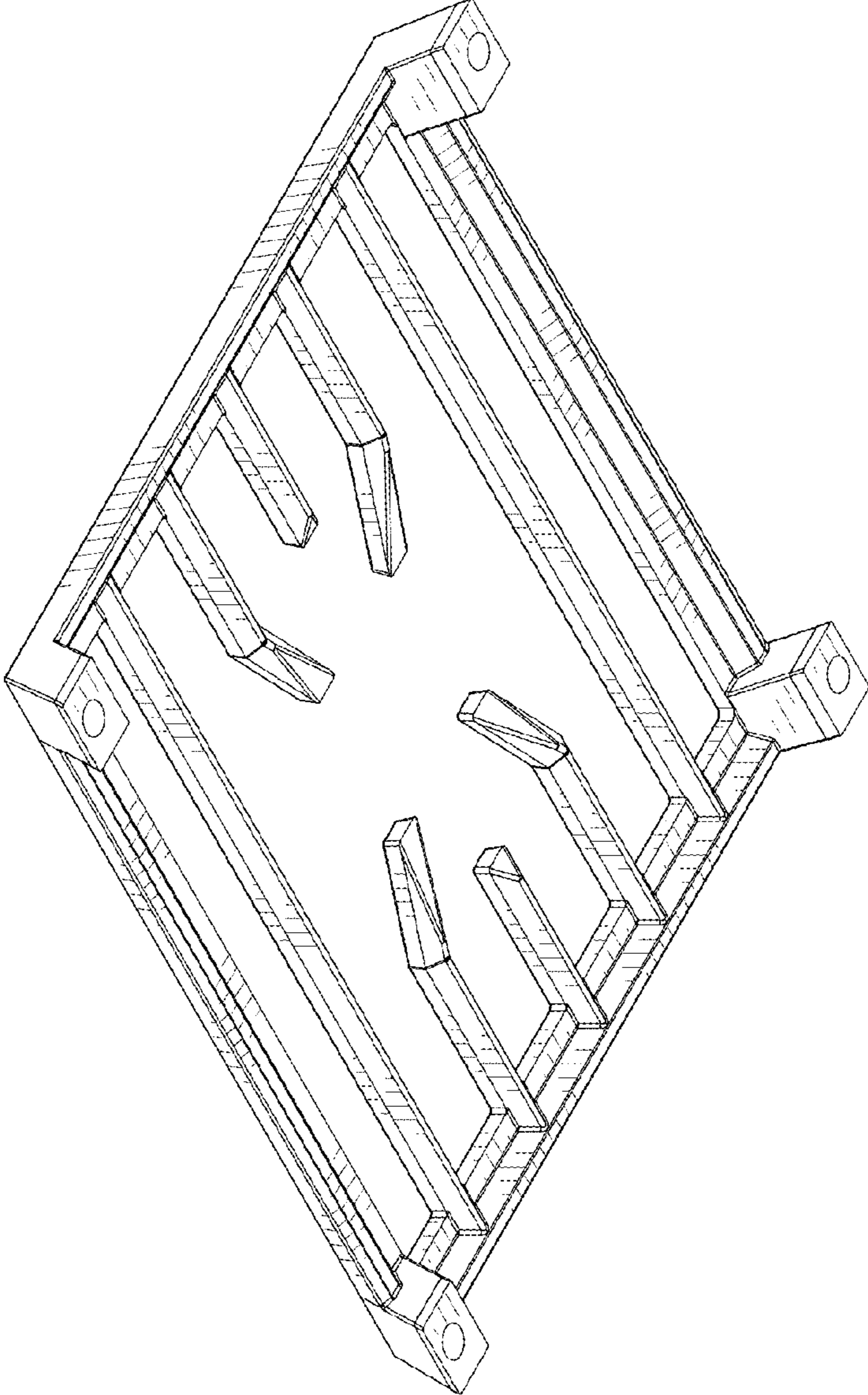


FIG. 8

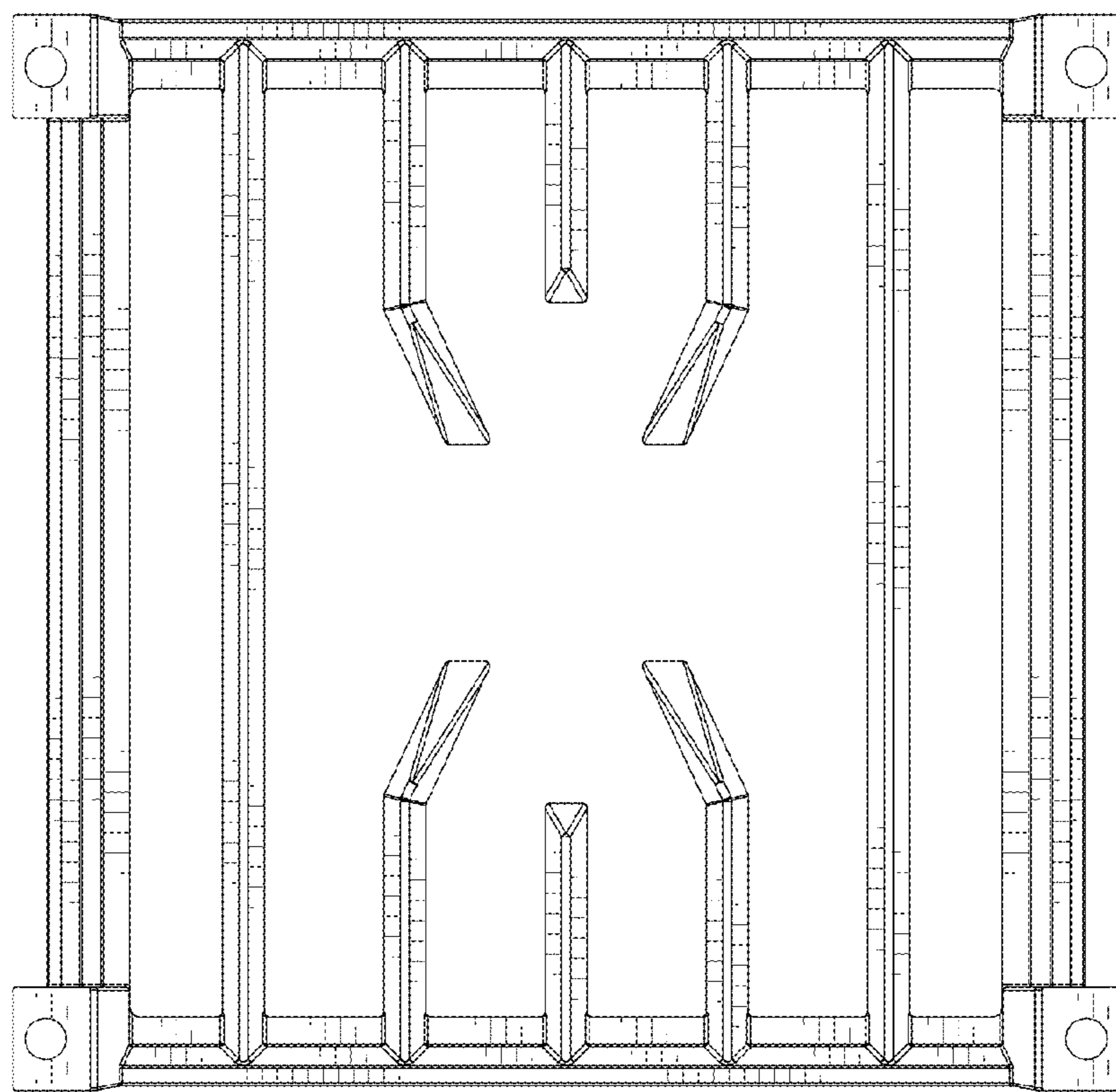


FIG. 10

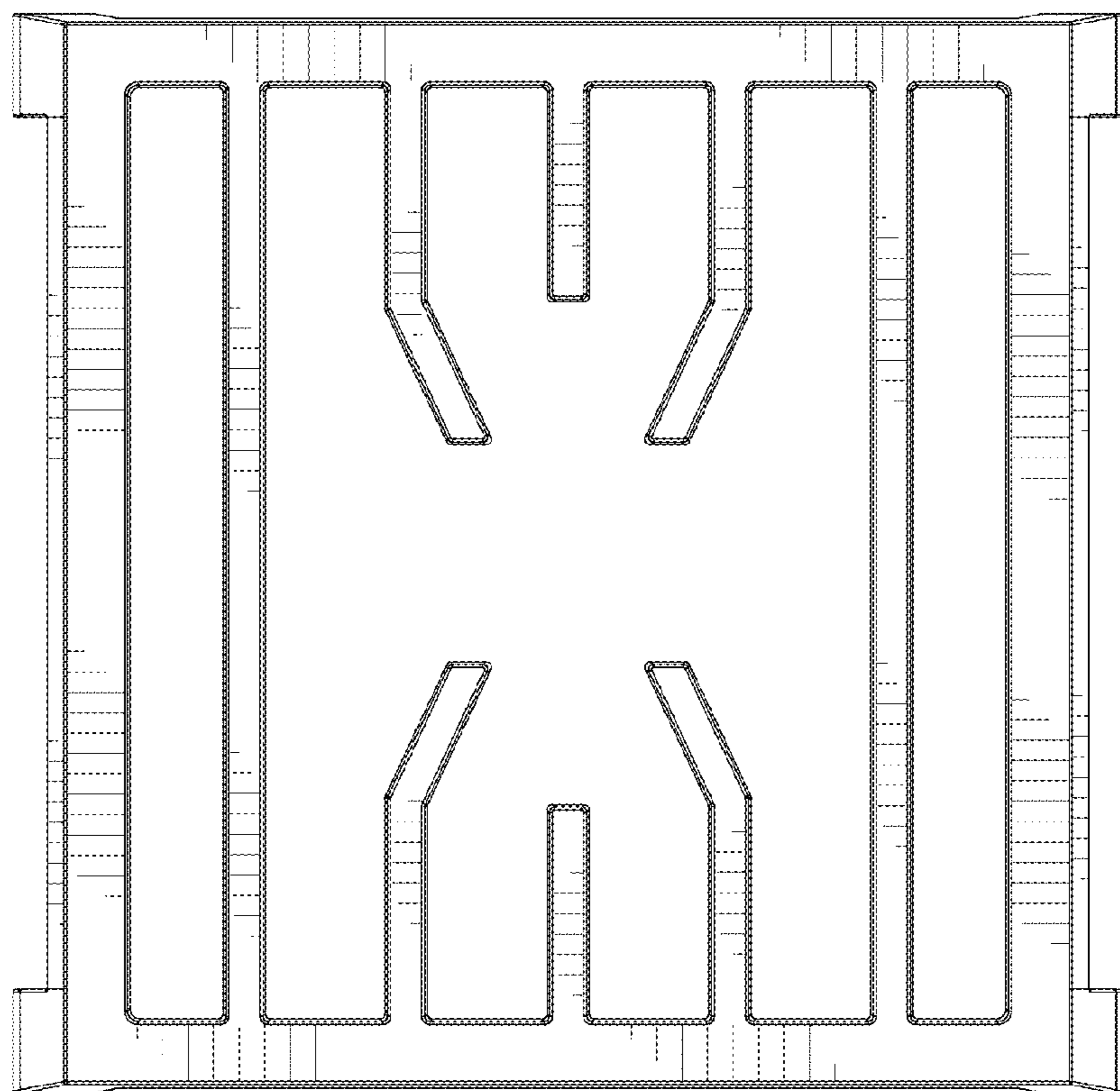


FIG. 9

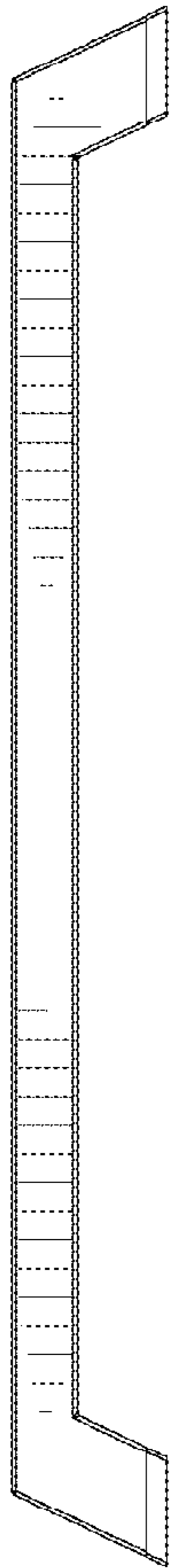


FIG. 11

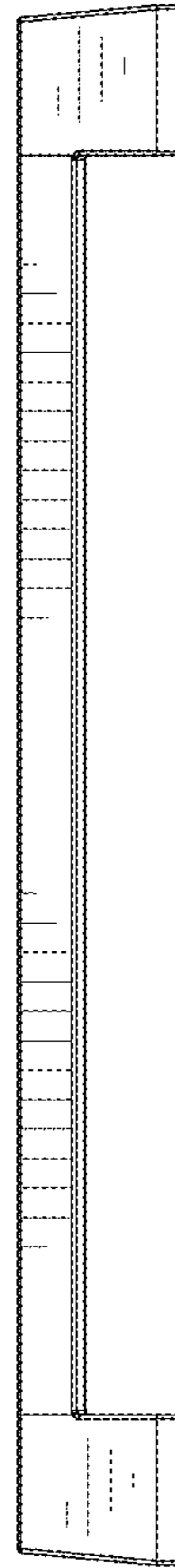


FIG. 12