



US00D722819S

(12) **United States Design Patent**  
**Lu**

(10) **Patent No.:** **US D722,819 S**  
(45) **Date of Patent:** **\*\* Feb. 24, 2015**

(54) **UNIVERSAL BARBEQUE GRILL HEAT DISTRIBUTION PLATE**

(71) Applicant: **James Lu**, Alpharetta, GA (US)

(72) Inventor: **James Lu**, Alpharetta, GA (US)

(73) Assignees: **International Business Corporation**, Alpharetta, GA (US); **Progressive Global Enterprises Co., Ltd.**, Taipei (TW)

(\*\*) Term: **14 Years**

(21) Appl. No.: **29/472,730**

(22) Filed: **Nov. 15, 2013**

(51) **LOC (10) Cl.** ..... **07-02**

(52) **U.S. Cl.**  
USPC ..... **D7/407**

(58) **Field of Classification Search**  
CPC ..... A47J 37/07–37/079; A47J 2037/0777  
USPC ..... D7/332, 334–337, 402–406;  
D8/380–381, 373, 354; 248/354.6,  
248/354.4, 354.5, 354.1, 207, 213.2,  
248/220.21, 309.1, 311.2, 316.1, 243, 247;  
99/393, 402; D21/541, 549, 550, 548;  
D34/16; 126/25 R, 25 A, 25 AA, 37 R,  
126/41 R, 41 A, 40, 39 M, 50, 214 D, 289,  
126/285 R, 505, 506, 276, 312, 29–30, 154,  
126/337 A, 83, 275 R, 9 R, 39 E, 39 K, 39 J,  
126/39 N, 41 B, 42

See application file for complete search history.

(56) **References Cited**

**U.S. PATENT DOCUMENTS**

5,617,778 A \* 4/1997 Schroeter et al. .... 99/446  
D443,795 S \* 6/2001 Rimback ..... D7/402

D446,683 S \* 8/2001 Pai ..... D7/402  
D447,000 S \* 8/2001 Knowles ..... D7/402  
6,279,566 B1 \* 8/2001 Craven, Jr. .... 126/41 R  
6,283,114 B1 \* 9/2001 Giebel et al. .... 126/41 R  
D461,657 S \* 8/2002 Magnusson ..... D6/491  
6,499,479 B1 \* 12/2002 McLamb ..... 126/41 R  
D474,371 S \* 5/2003 Lor ..... D7/402  
D513,970 S \* 1/2006 Sterling et al. .... D8/381  
8,662,070 B2 \* 3/2014 Johnston ..... 126/39 J  
8,695,583 B2 \* 4/2014 Cross ..... 126/214 D  
2002/0011244 A1 \* 1/2002 Giebel et al. .... 126/41 R  
2004/0025862 A1 \* 2/2004 Lor et al. .... 126/41 R  
2005/0098168 A1 \* 5/2005 Williams et al. .... 126/25 R  
2005/0284461 A1 \* 12/2005 Hsu ..... 126/41 R  
2006/0278209 A1 \* 12/2006 Hatamian ..... 126/25 R  
2008/0216813 A1 \* 9/2008 Pai ..... 126/25 R  
2009/0199841 A1 \* 8/2009 Tsung ..... 126/25 R  
2011/0048399 A1 \* 3/2011 Hong ..... 126/25 R  
2012/0247446 A1 \* 10/2012 Cross ..... 126/25 R  
2013/0233297 A1 \* 9/2013 Tang ..... 126/39 K

\* cited by examiner

*Primary Examiner* — Ruth McInroy

(74) *Attorney, Agent, or Firm* — Rodgers & Rodgers

(57) **CLAIM**

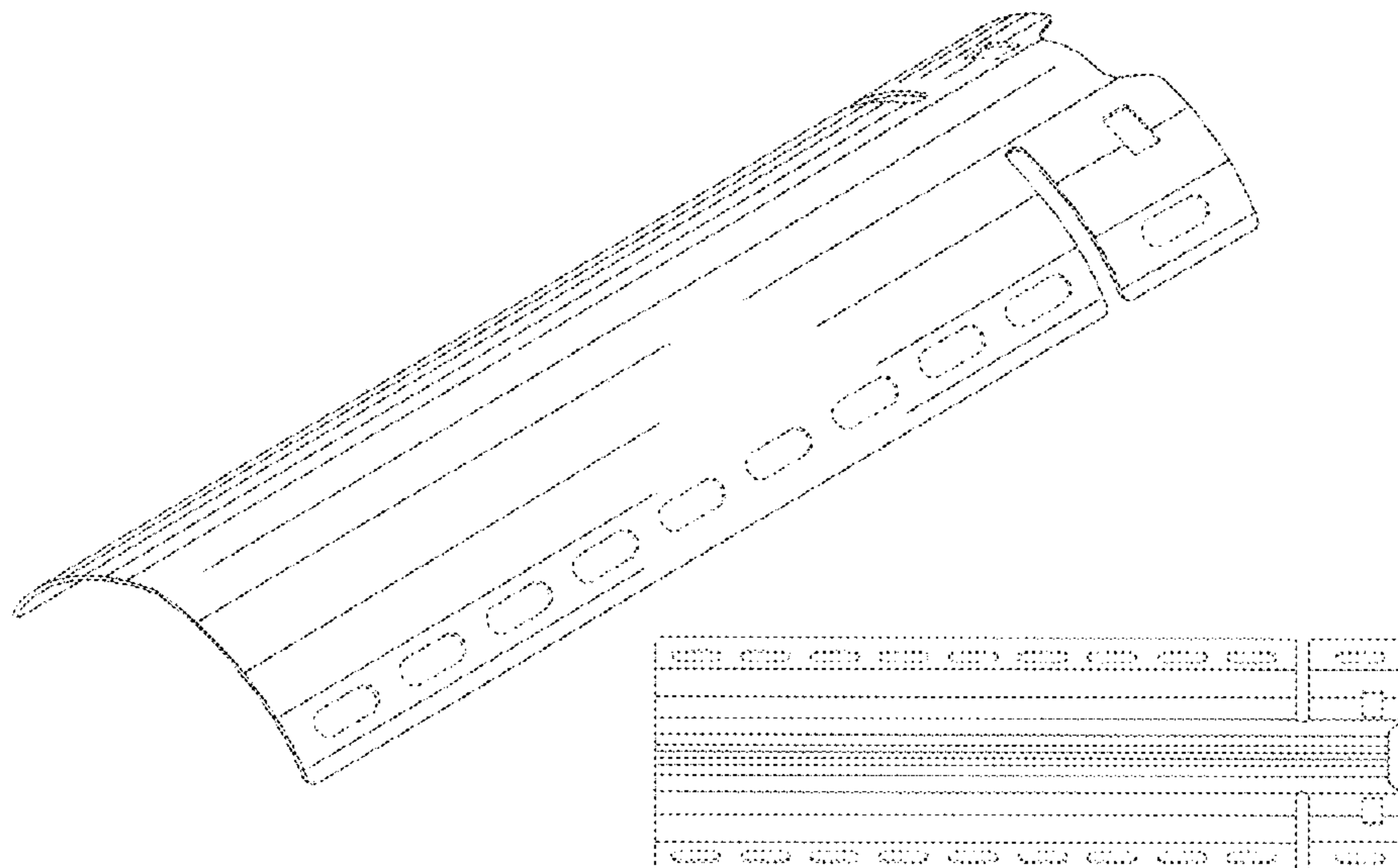
The ornamental design for a universal barbeque grill heat distribution plate, as shown and described.

**DESCRIPTION**

FIG. 1 is a perspective view of a universal barbeque grill heat distribution plate showing my new design;  
FIG. 2 is a top plan view thereof;  
FIG. 3 is a front elevational view thereof, the rear being a mirror image thereof;  
FIG. 4 is a bottom plan view thereof; and,  
FIG. 5 is a left-side elevation view thereof, the right side being identical.

The dotted lines are for illustrative purposes only and form no part of the claimed design.

**1 Claim, 2 Drawing Sheets**



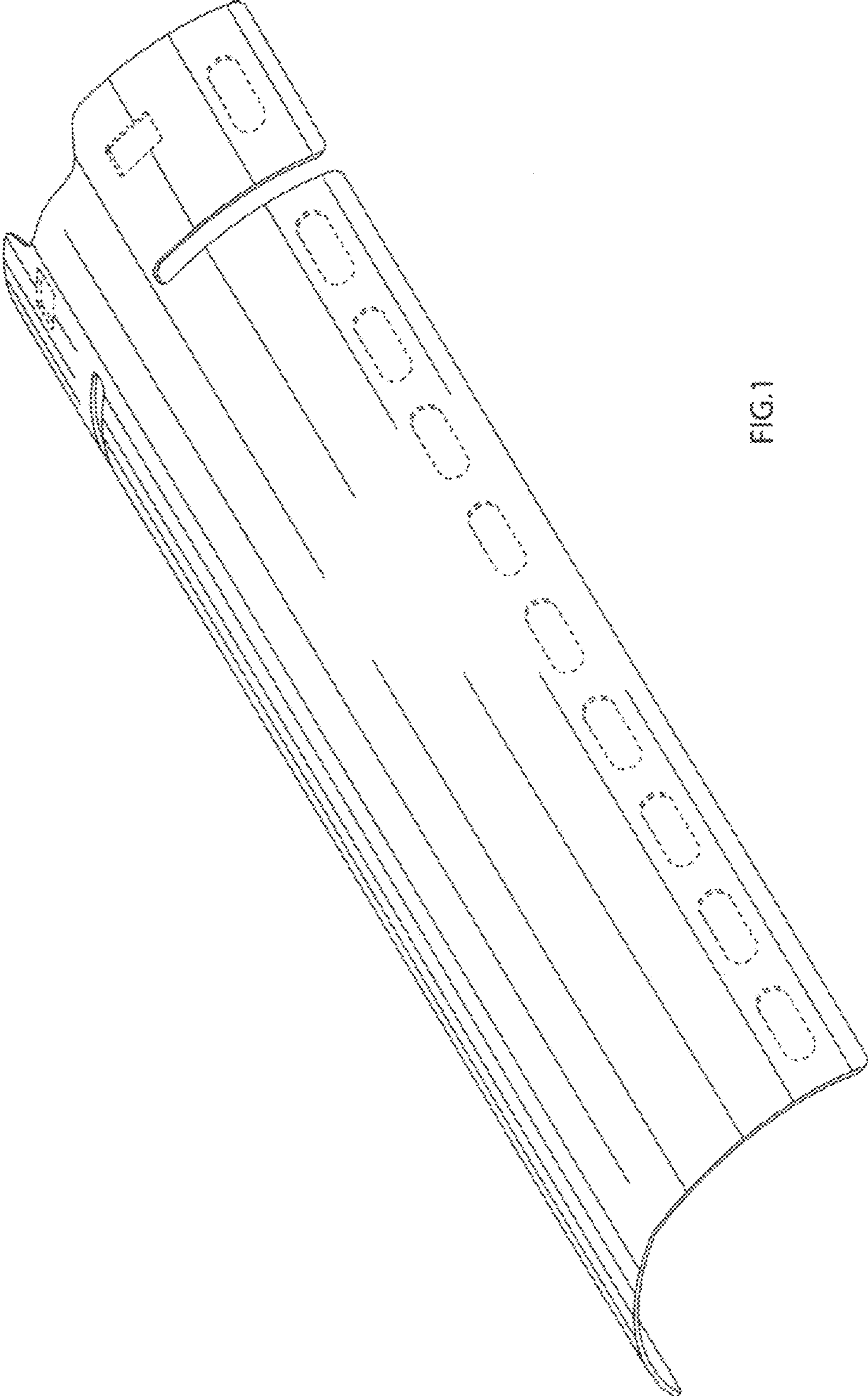


FIG.1

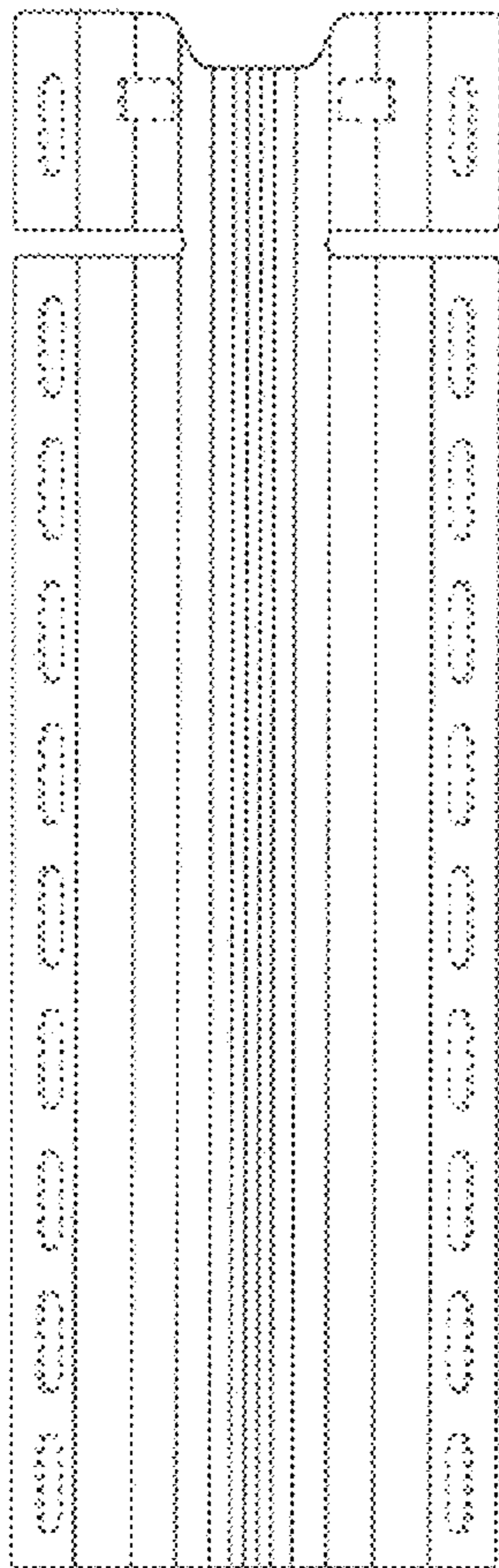


FIG. 2

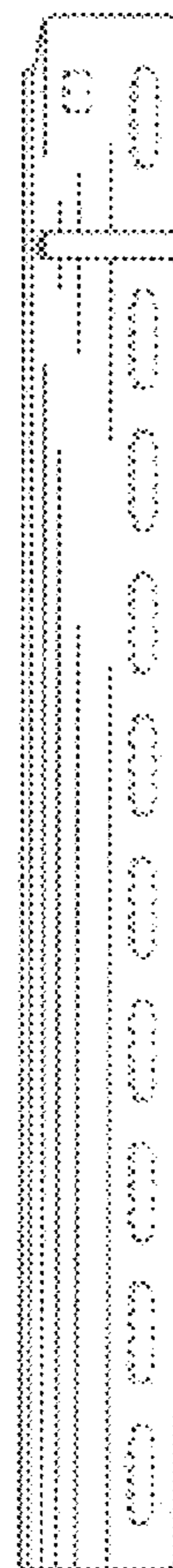


FIG. 3

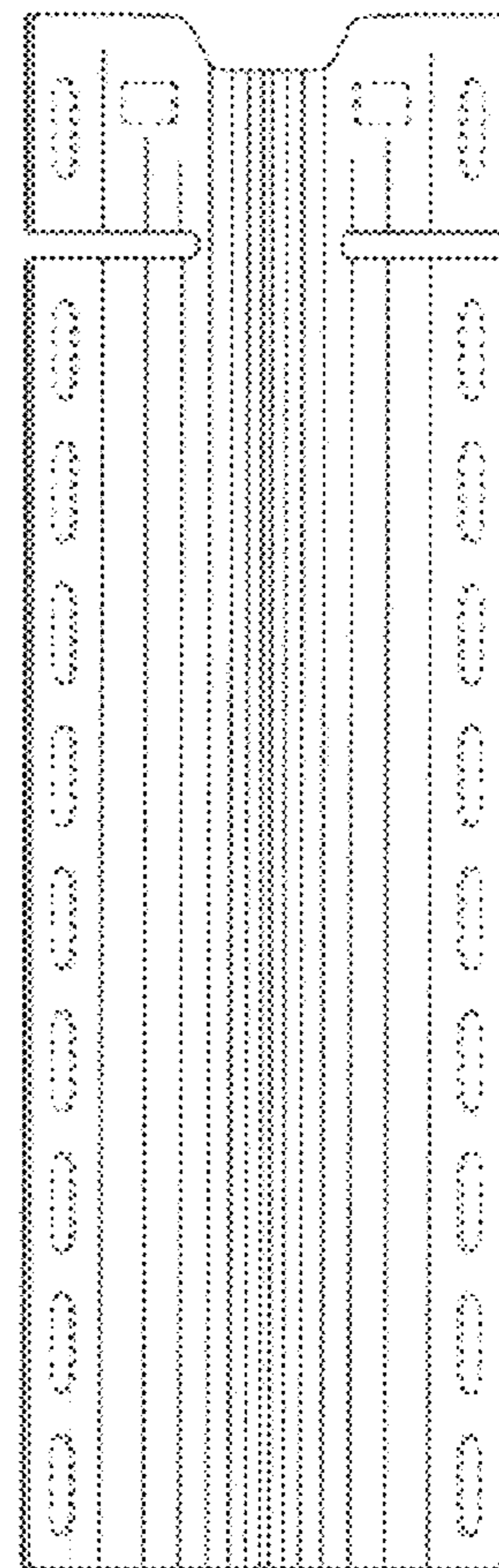


FIG. 4

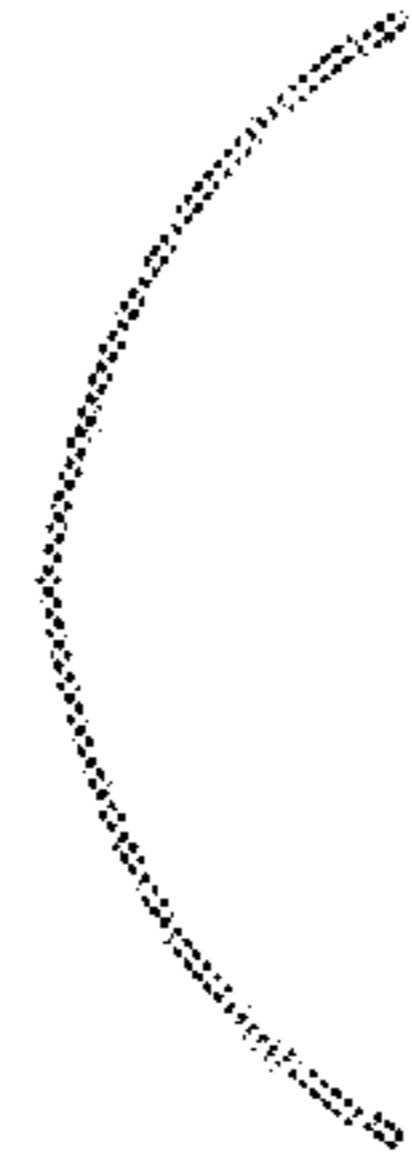


FIG. 5