



US00D722815S

(12) **United States Design Patent**
Fuller et al.

(10) **Patent No.:** **US D722,815 S**

(45) **Date of Patent:** **** Feb. 24, 2015**

(54) **BLADED KNOB**

(71) Applicant: **Whirlpool Corporation**, Benton Harbor, MI (US)

(72) Inventors: **Mallory A. Fuller**, Lockport, IL (US);
Casey L. McCuan, St. Joseph, MI (US)

(73) Assignee: **Whirlpool Corporation**, Benton Harbor, MI (US)

(**) Term: **14 Years**

(21) Appl. No.: **29/470,436**

(22) Filed: **Oct. 22, 2013**

(51) **LOC (10) Cl.** **07-02**

(52) **U.S. Cl.**
USPC **D7/393; D8/311**

(58) **Field of Classification Search**
USPC D7/354–358, 359–361, 391, 393, 402,
D7/405, 406, 682; D8/107, 307, 300, 310,
D8/311; D13/171, 174; 16/110 R, 114 R,
16/118, 121, 309, 311, 312, 315, 320, 430,
16/431, 441; 74/548, 553, 558.5; 200/18,
200/61.8, 336–338, 564–570;
220/573.1–573.5, 752, 753, 755, 912;
D9/439

See application file for complete search history.

(56) **References Cited**

U.S. PATENT DOCUMENTS

D202,062 S * 8/1965 Yamazaki D7/360
D225,204 S * 11/1972 Kendrick D8/311
D267,073 S * 11/1982 Lefevre D7/393
4,409,861 A * 10/1983 Sakurai 74/501.6
D443,496 S * 6/2001 DeCosse D8/300
D498,657 S * 11/2004 Milrud et al. D8/311

D510,515 S * 10/2005 Miller D8/311
D511,669 S * 11/2005 Miller D8/300
D521,314 S * 5/2006 Ball D7/393
D525,518 S * 7/2006 Baldwin D8/310
D612,704 S * 3/2010 Funnell et al. D8/310
D612,705 S * 3/2010 Baker et al. D8/311
D628,457 S * 12/2010 Bengtson D8/311
D634,156 S * 3/2011 Fuller et al. D7/393
D634,602 S * 3/2011 Bengtson D8/311
D637,886 S * 5/2011 Bengtson D8/311
D642,042 S * 7/2011 Kim et al. D8/311
D703,998 S * 5/2014 Funnell et al. D7/393
D710,673 S * 8/2014 Boo et al. D8/311

* cited by examiner

Primary Examiner — Cynthia M Chin

(57) **CLAIM**

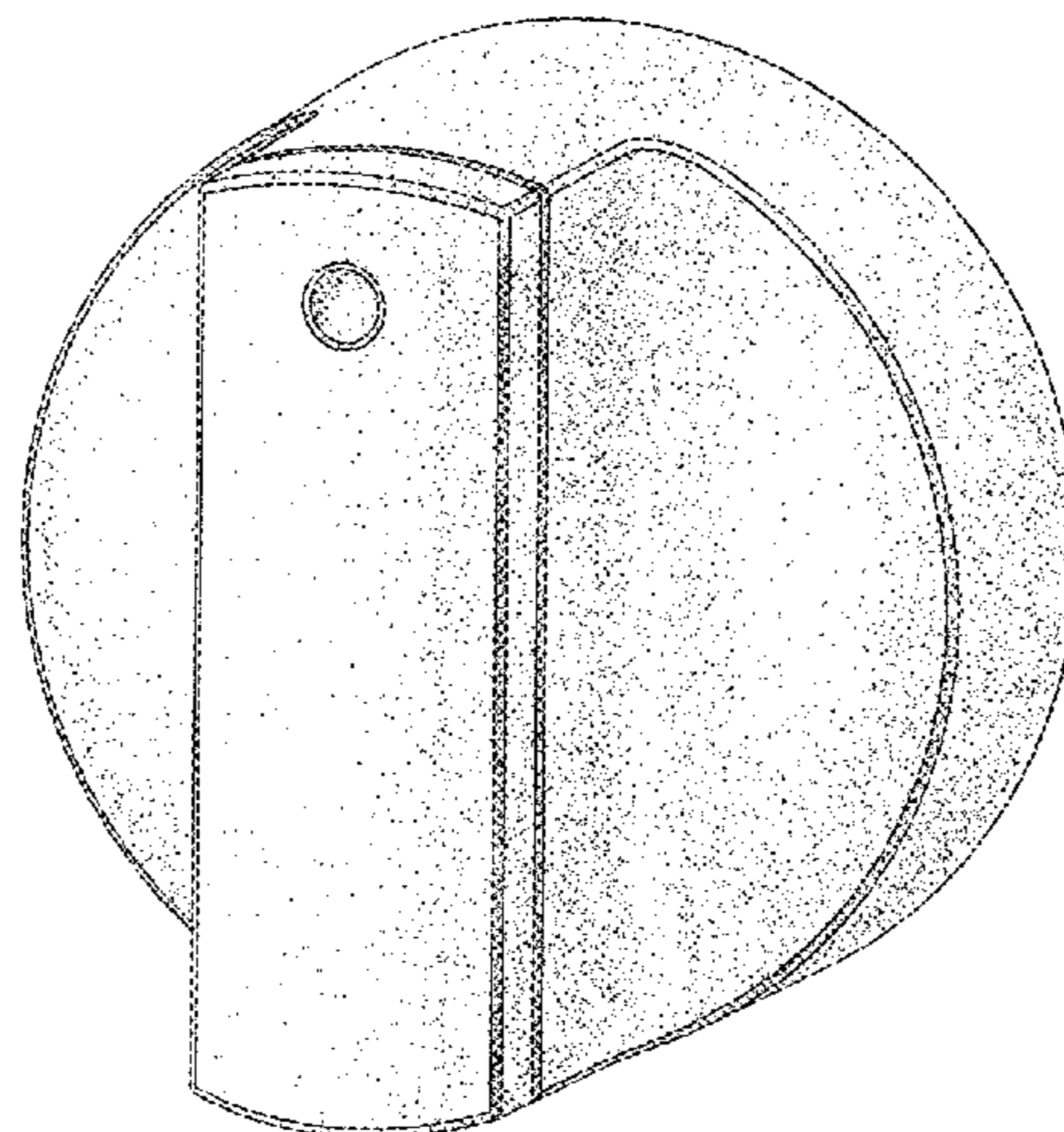
We claim the ornamental design for a bladed knob, as shown and described.

DESCRIPTION

FIG. 1 is a front perspective view of one embodiment of a bladed knob of the present invention;
FIG. 2 is a front elevational view of the bladed knob of FIG. 1;
FIG. 3 is a rear elevational view of the bladed knob of FIG. 1;
FIG. 4 is a first side elevational view of the bladed knob of FIG. 1;
FIG. 5 is a second side elevational view of the bladed knob of FIG. 1;
FIG. 6 is a third side elevational view of the bladed knob of FIG. 1; and,
FIG. 7 is a fourth side elevational view of the bladed knob of FIG. 1.

The broken lines represent portions of the article that form no part of the claim.

1 Claim, 2 Drawing Sheets



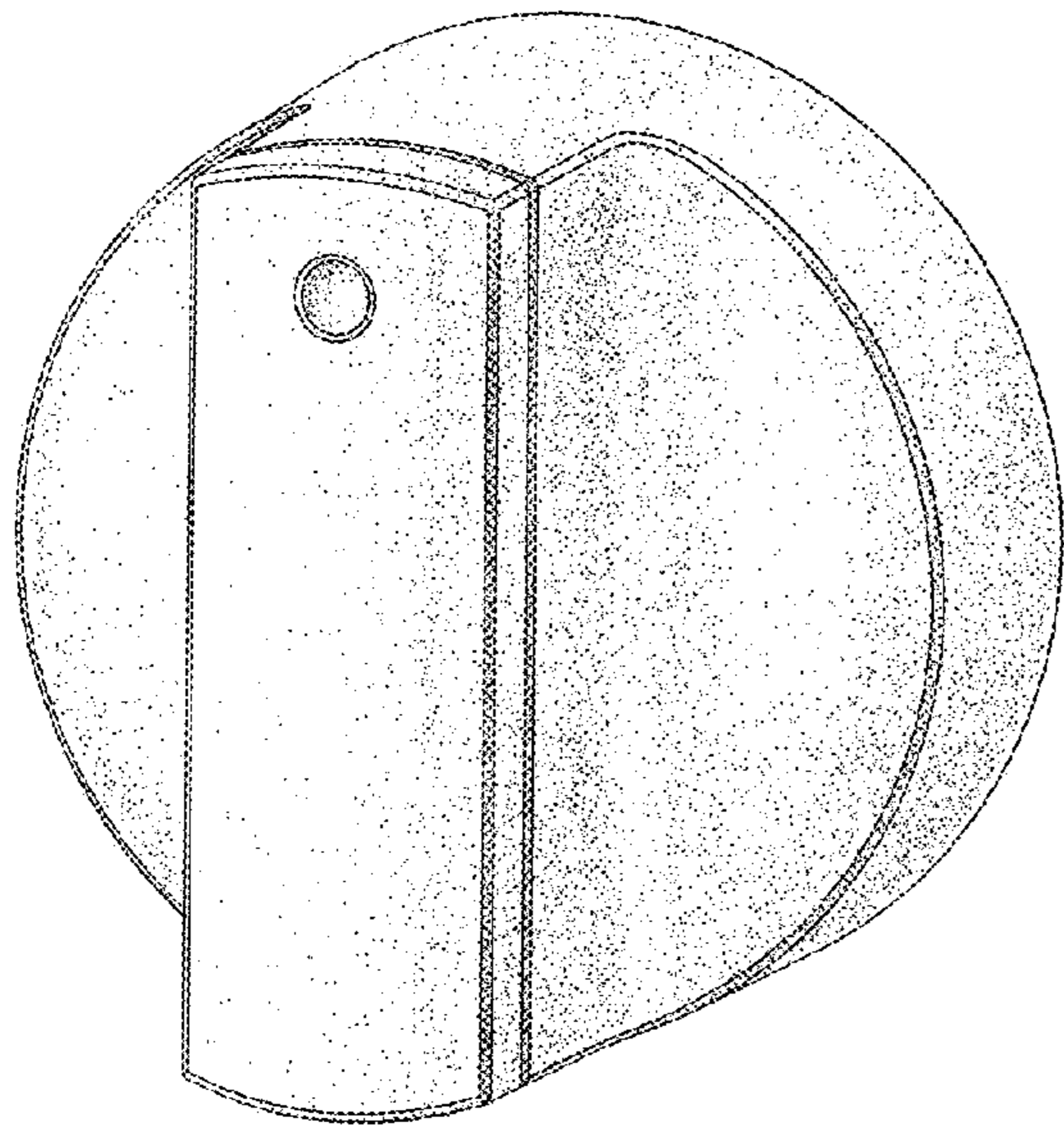


FIG. 1

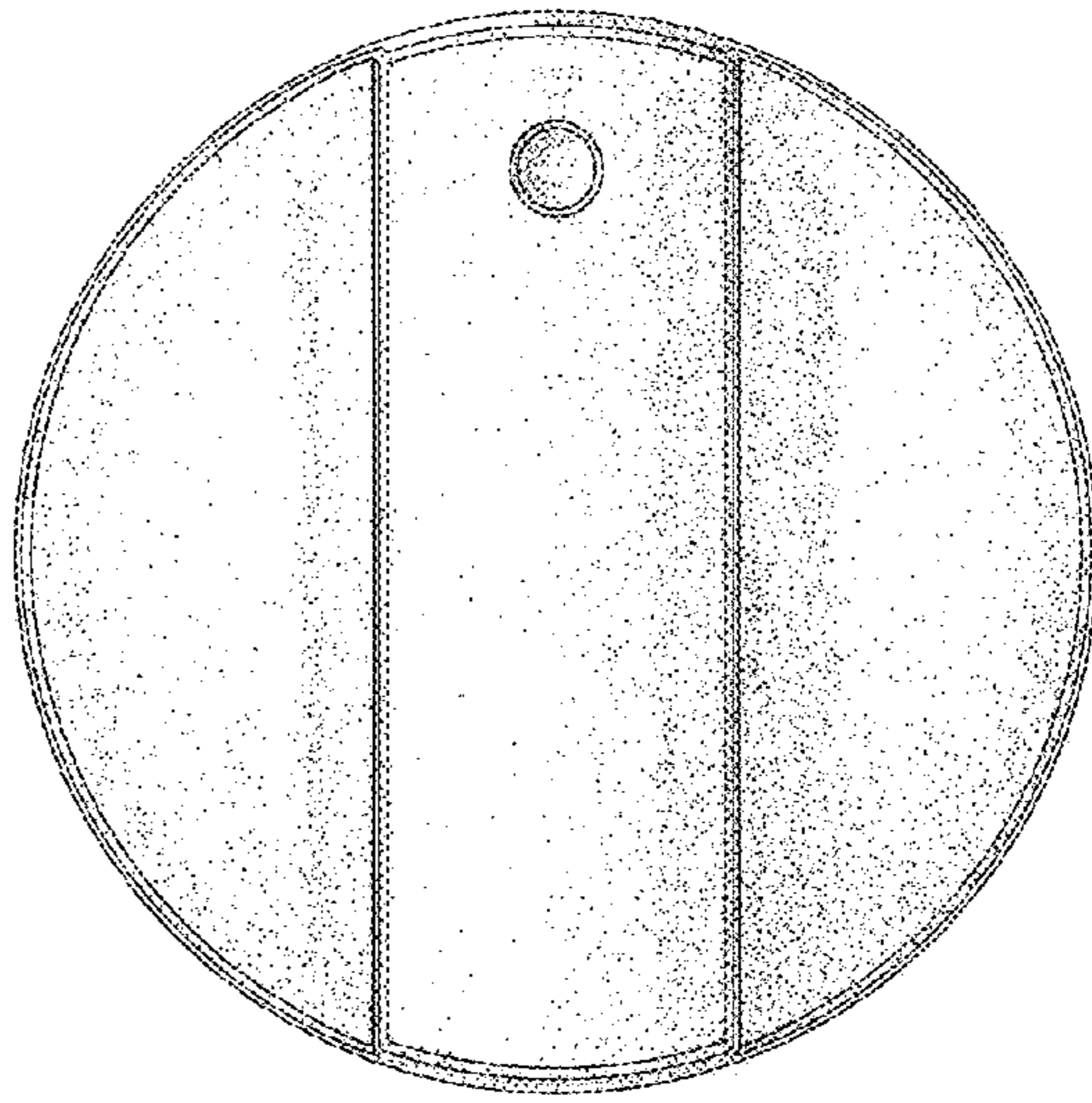


FIG. 2

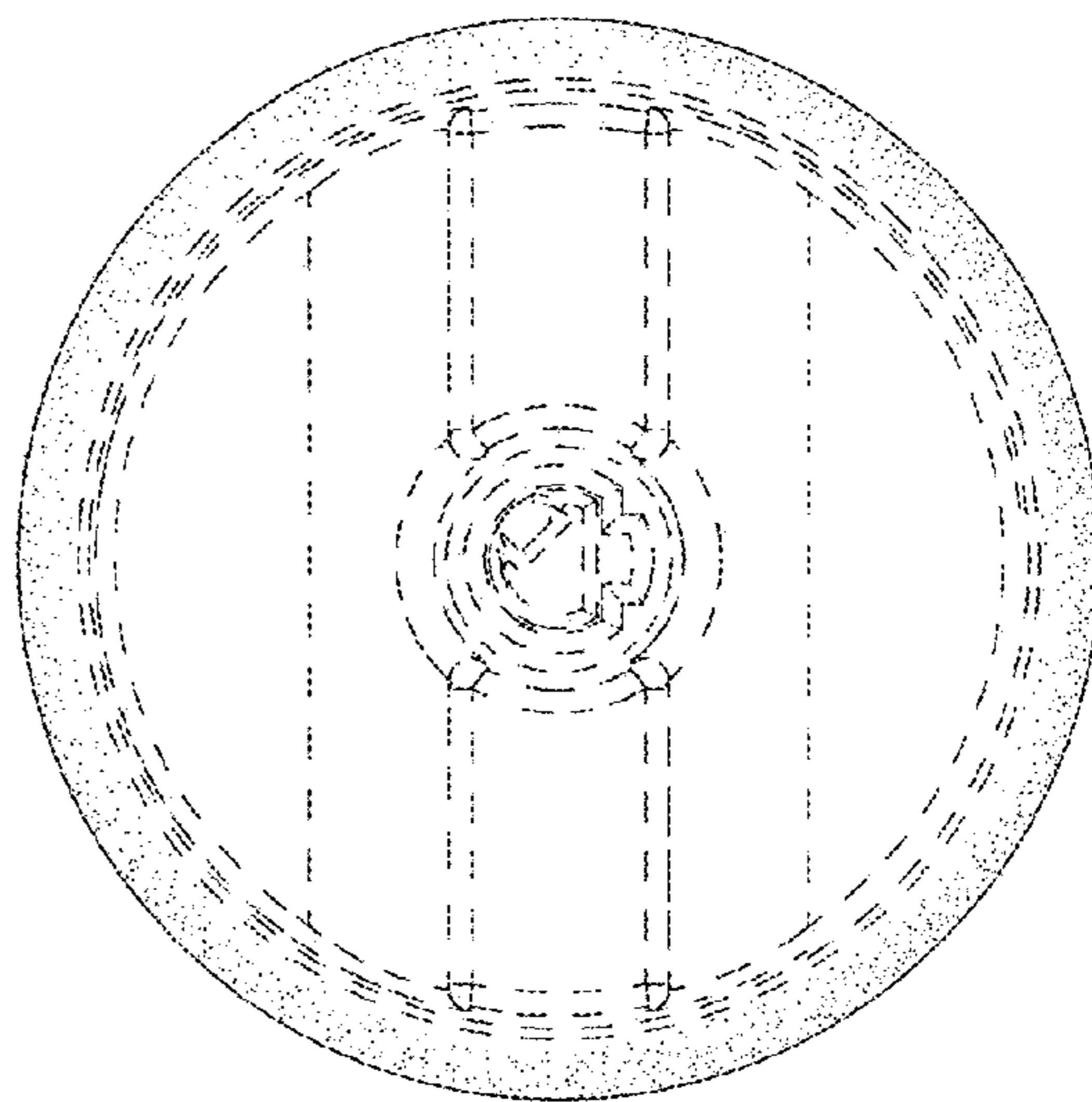


FIG. 3

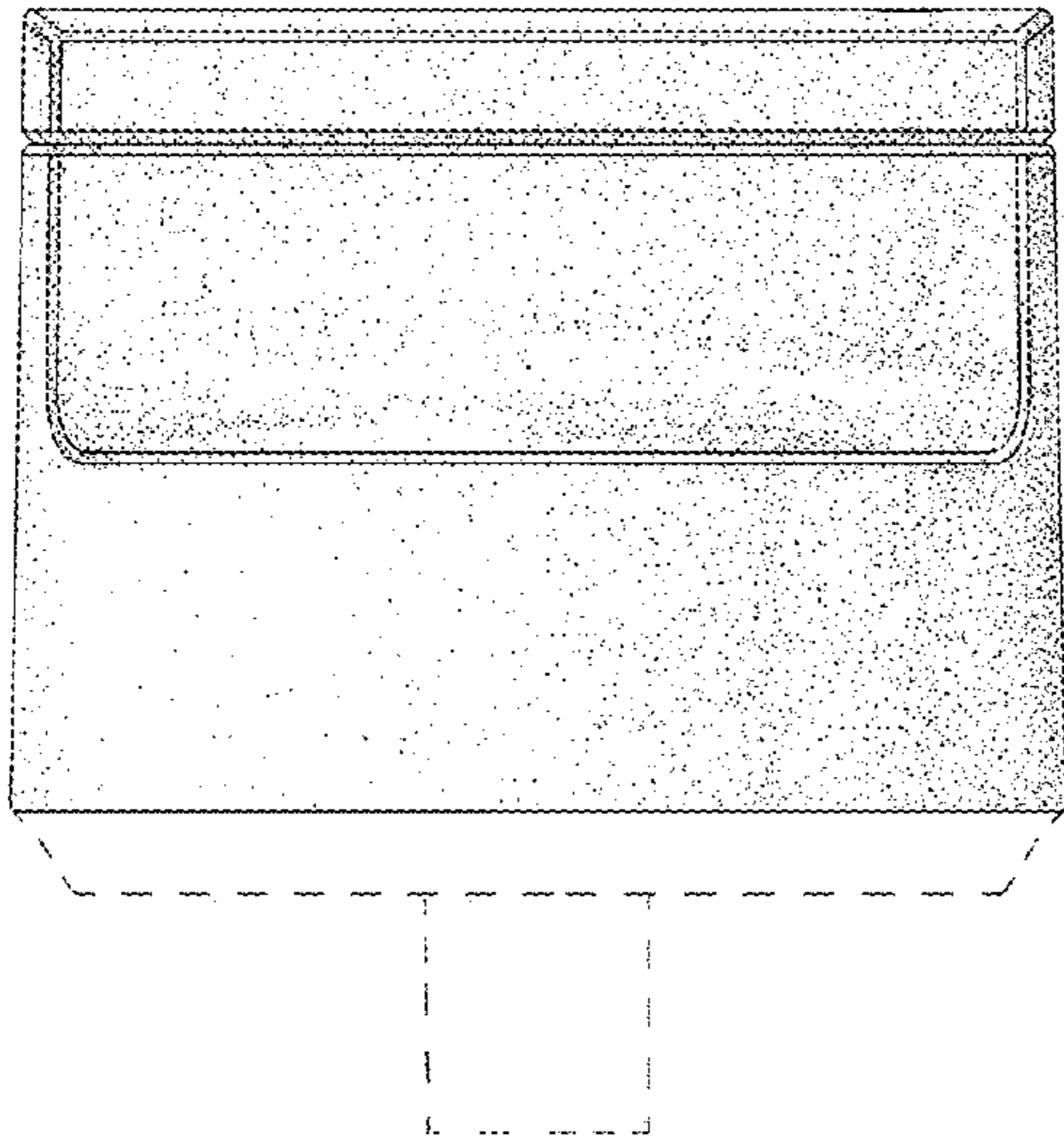


FIG. 4

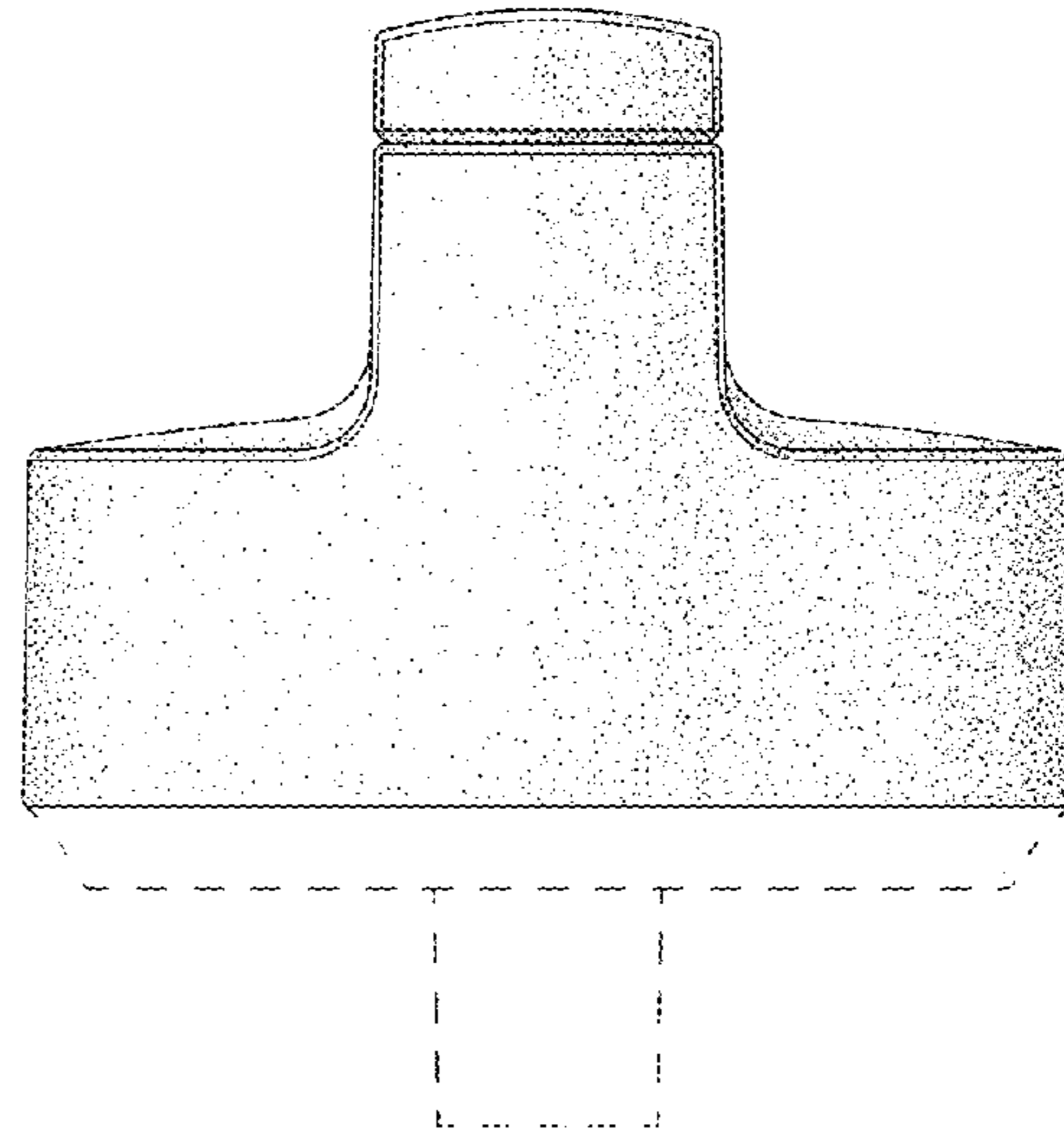


FIG. 6

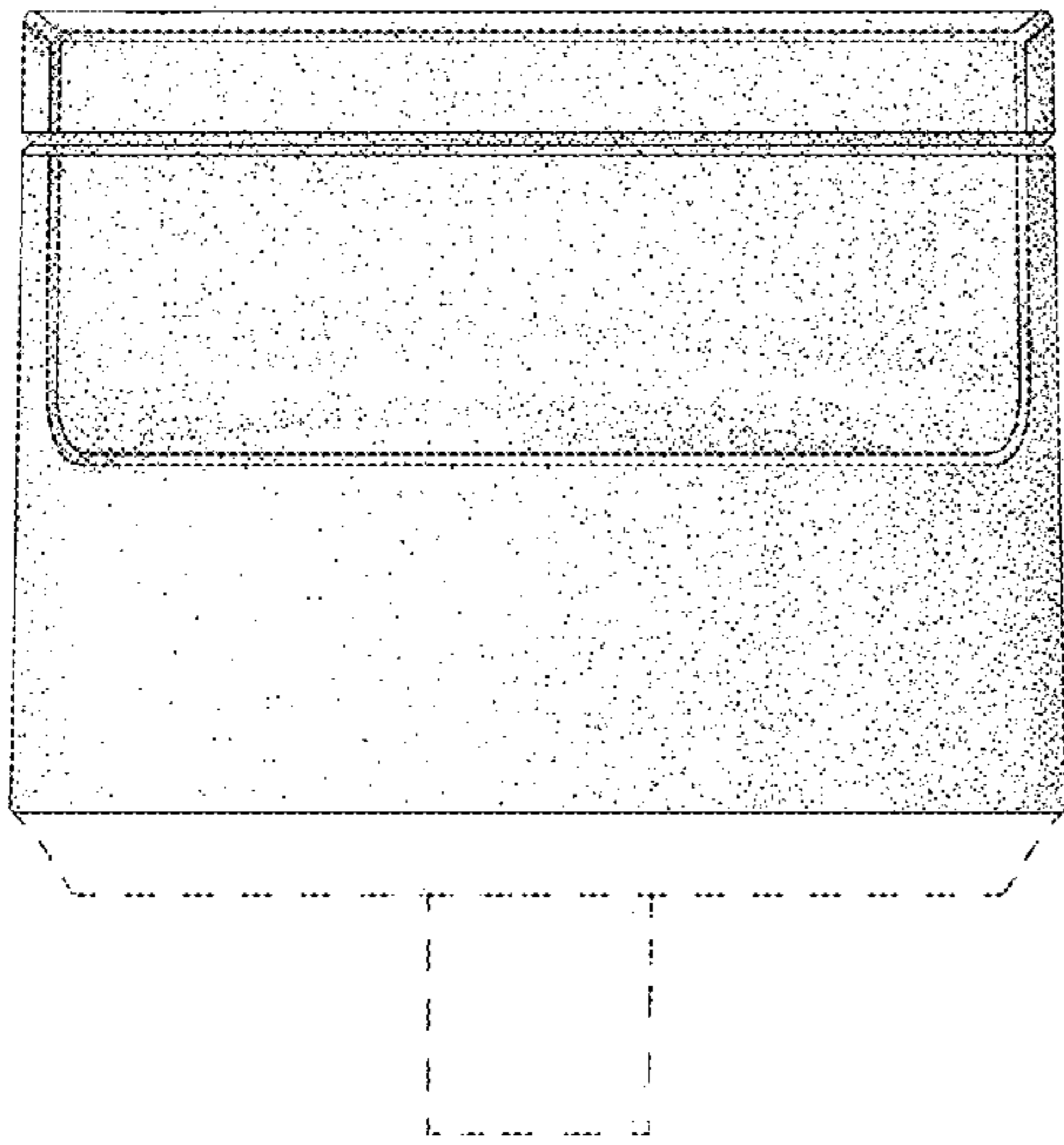


FIG. 5

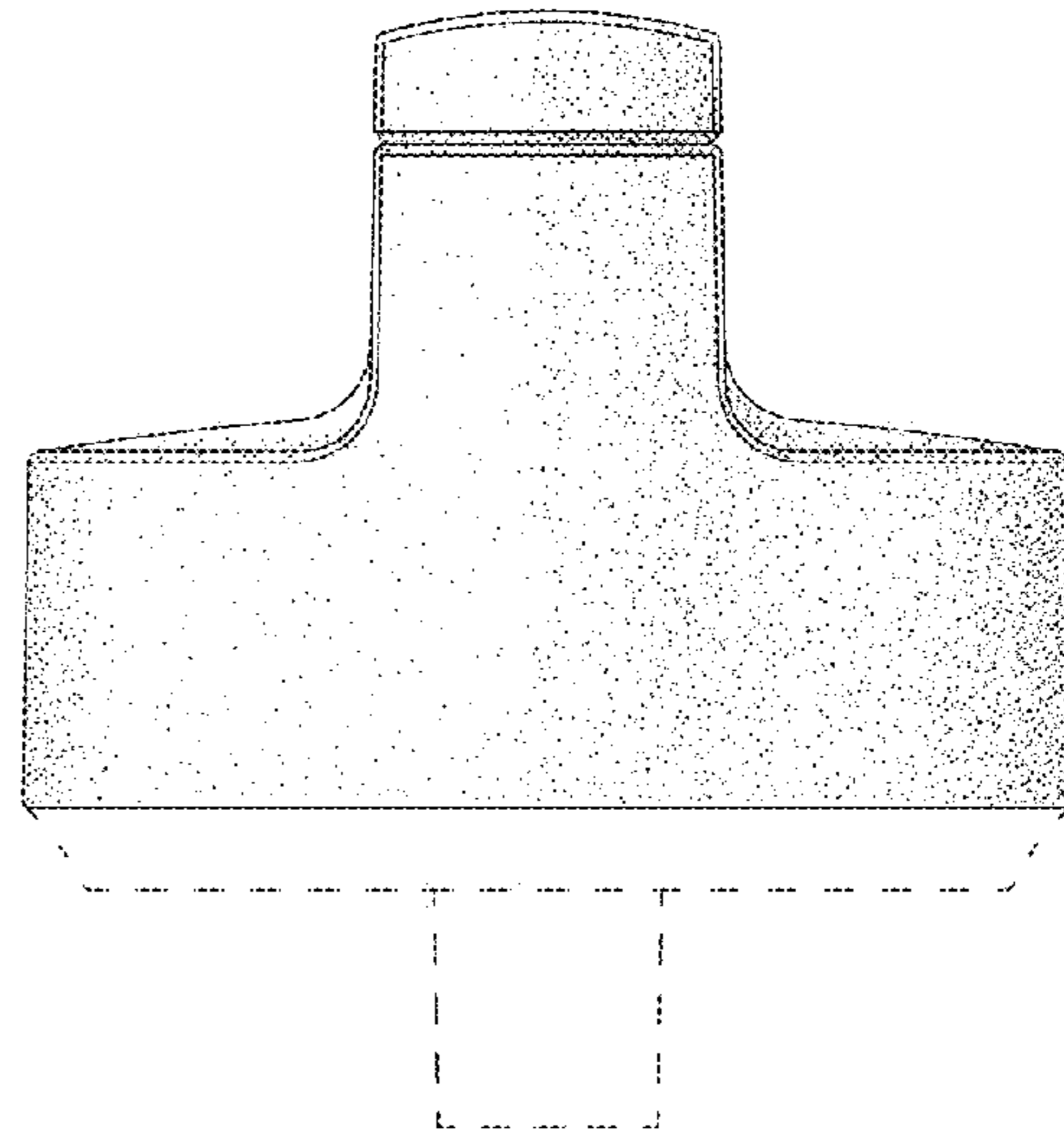


FIG. 7