



US00D722810S

(12) **United States Design Patent**
Chung

(10) **Patent No.:** **US D722,810 S**

(45) **Date of Patent:** **** Feb. 24, 2015**

(54) **BARBECUE GRILL**

(71) Applicant: **Kiosky Chung**, Taichung (TW)

(72) Inventor: **Kiosky Chung**, Taichung (TW)

(**) Term: **14 Years**

(21) Appl. No.: **29/483,384**

(22) Filed: **Feb. 27, 2014**

(51) **LOC (10) Cl.** **07-02**

(52) **U.S. Cl.**
USPC **D7/334**

(58) **Field of Classification Search**
USPC D7/332, 334-337, 402-405, 362, 367;
99/481-482, 449, 340; 431/206;
126/19 M, 19 R, 39 R, 39 H, 39 B, 25 R,
126/43, 41 R, 9 R, 38, 37 R, 40, 50
See application file for complete search history.

(56) **References Cited**

U.S. PATENT DOCUMENTS

D521,308 S	*	5/2006	Tseng	D7/334
D549,511 S	*	8/2007	Chung	D7/334
D549,514 S	*	8/2007	Chung	D7/334
D618,034 S	*	6/2010	Chung	D7/334
D624,782 S	*	10/2010	Chung	D7/334
D662,347 S	*	6/2012	May et al.	D7/334

D679,126 S	*	4/2013	Davis et al.	D7/334
D679,127 S	*	4/2013	Davis et al.	D7/334
D680,798 S	*	4/2013	Chung	D7/334
D682,007 S	*	5/2013	Davis et al.	D7/334
D688,511 S	*	8/2013	Chung	D7/334
D688,512 S	*	8/2013	Chung	D7/334
D693,624 S	*	11/2013	Chung	D7/334

* cited by examiner

Primary Examiner — Ruth McInroy

(57) **CLAIM**

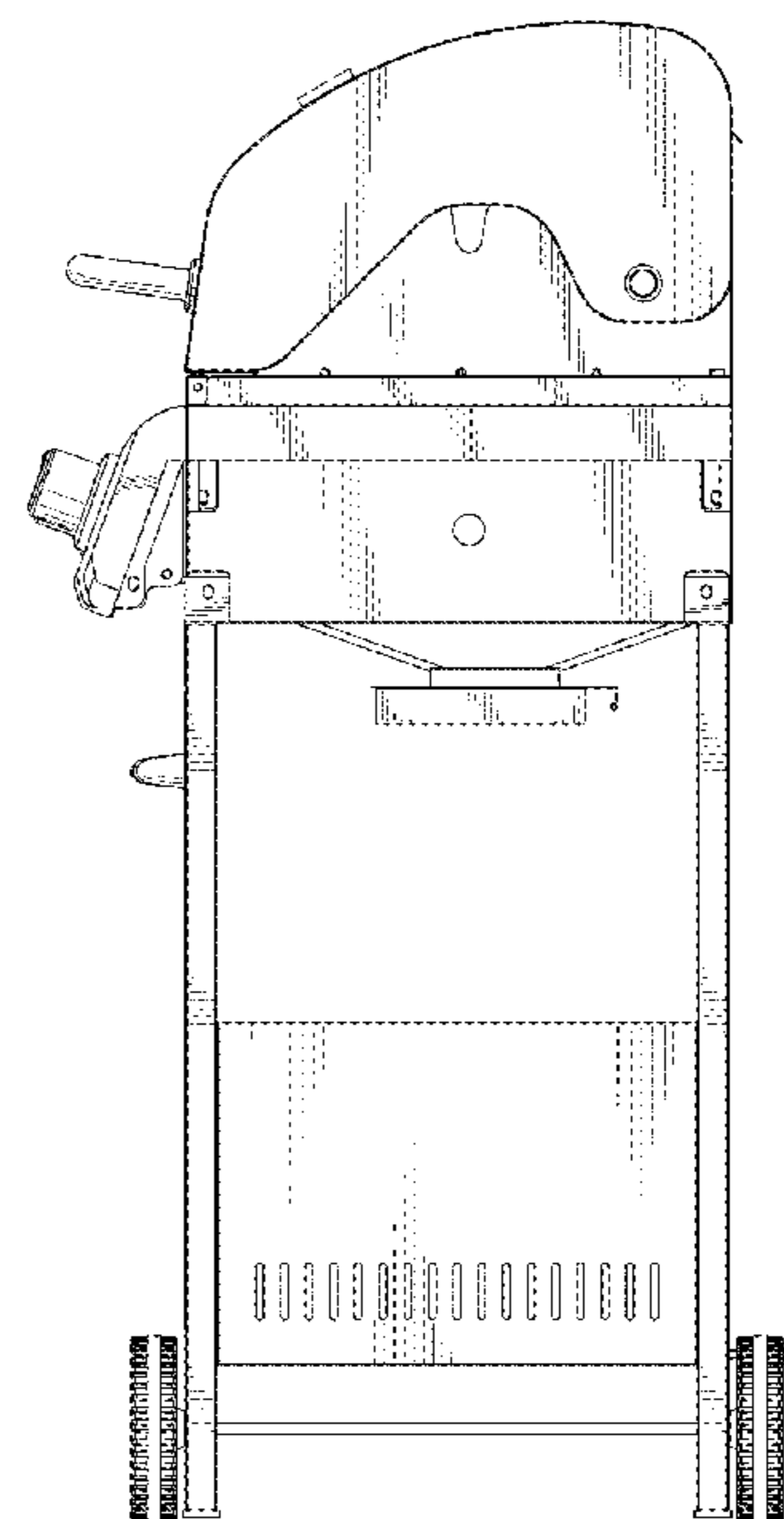
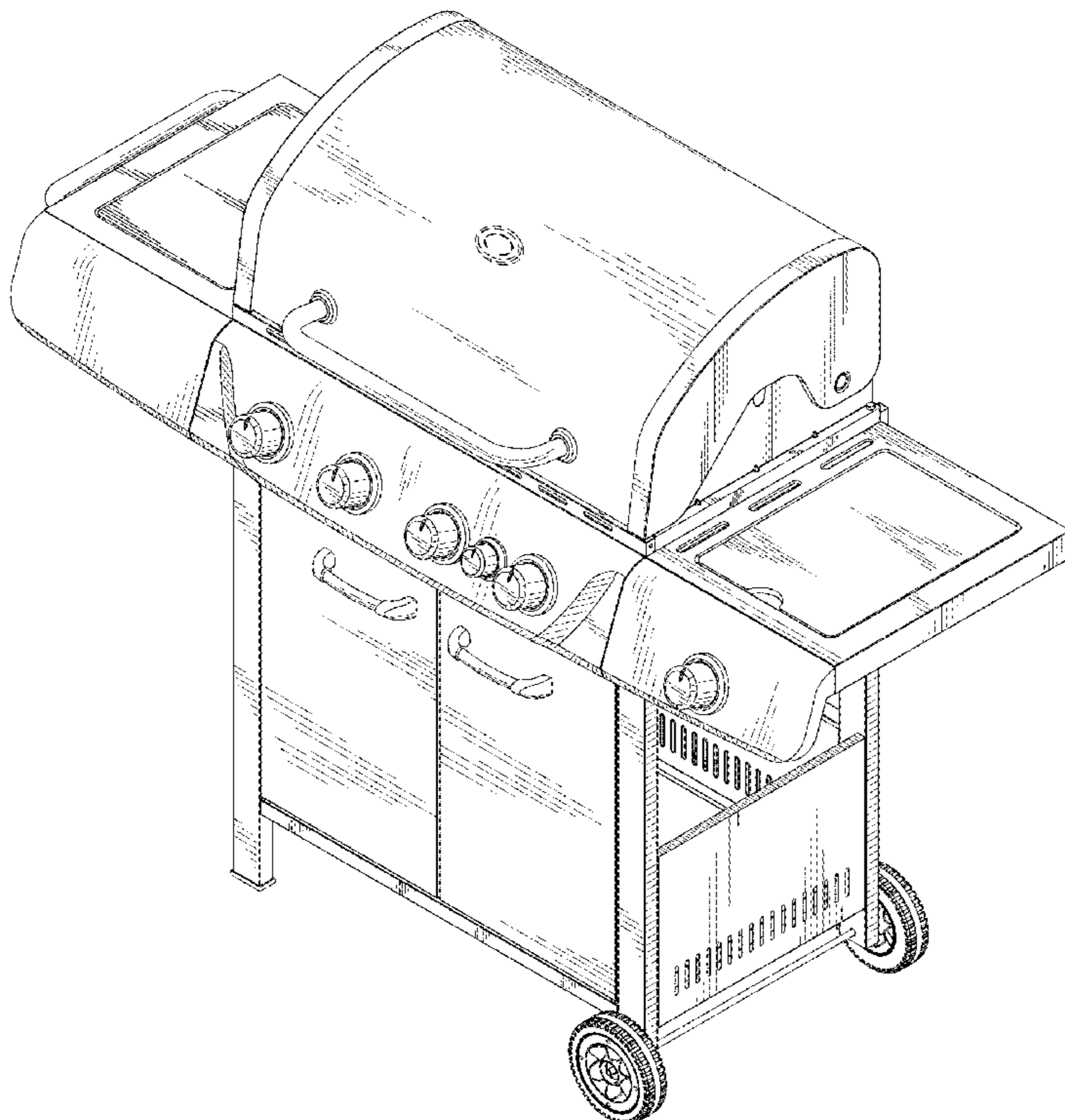
I claim the ornamental design for a barbecue grill, as shown and described.

DESCRIPTION

FIG. 1 is a front perspective view of a barbecue grill showing my new design;
FIG. 2 is a front view thereof;
FIG. 3 is a rear view thereof;
FIG. 4 is a left side view thereof;
FIG. 5 is a right side view thereof;
FIG. 6 is a top view thereof; and,
FIG. 7 is a bottom view thereof.

The broken lines shown in the drawings are for the purpose of illustrating unclaimed portions of the barbecue grill and form no part of the claimed design.

1 Claim, 7 Drawing Sheets



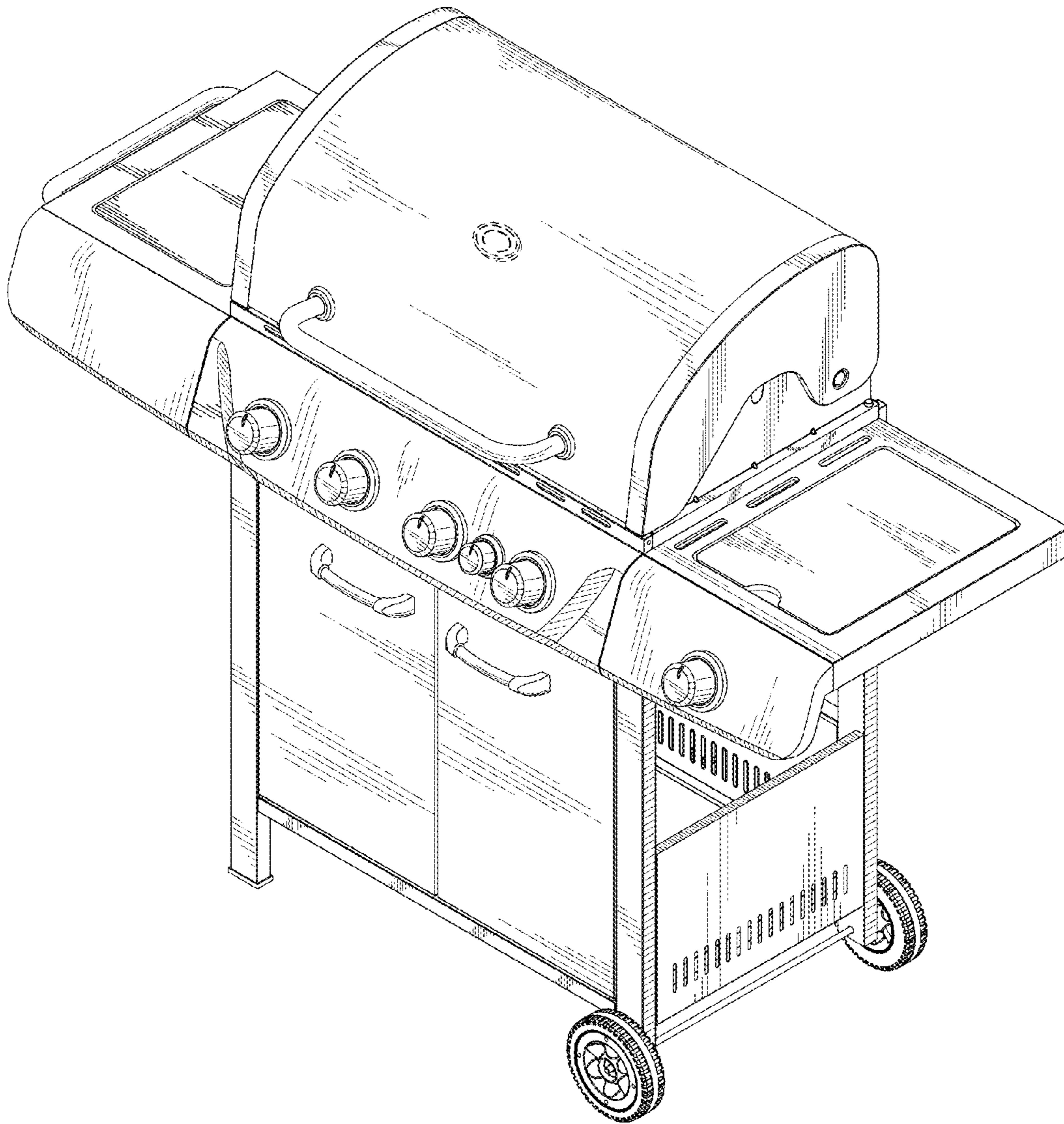


FIG. 1

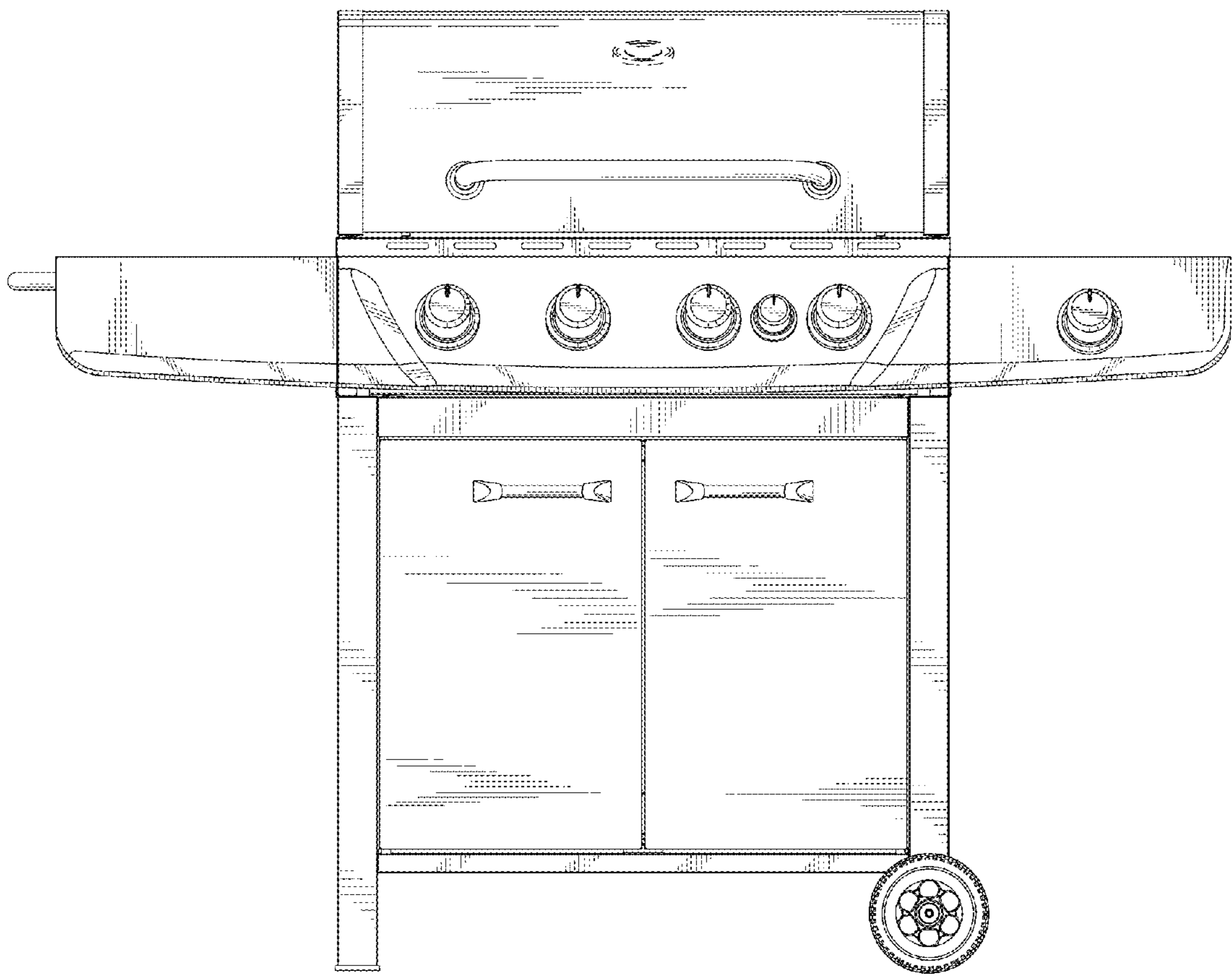


FIG. 2

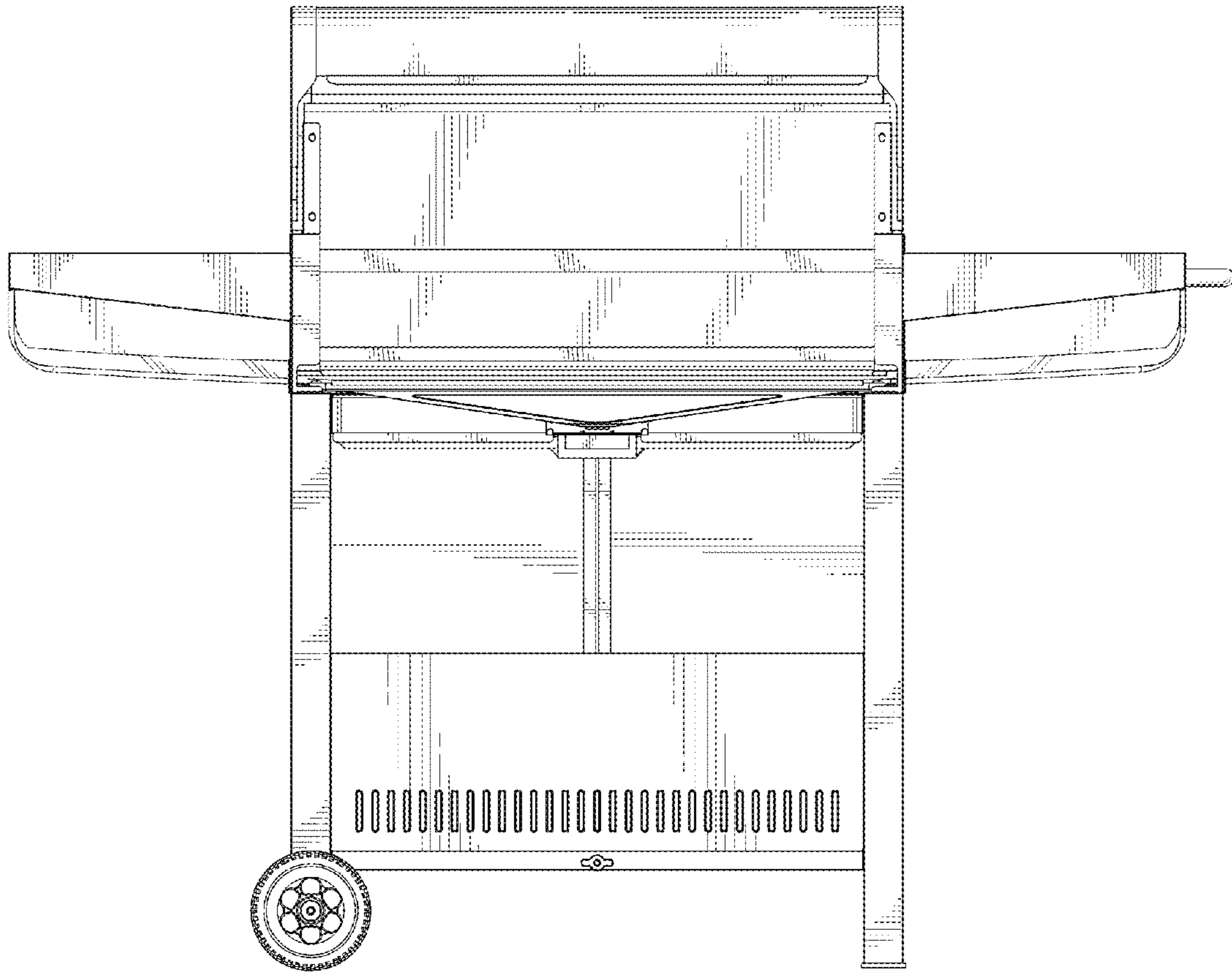


FIG. 3

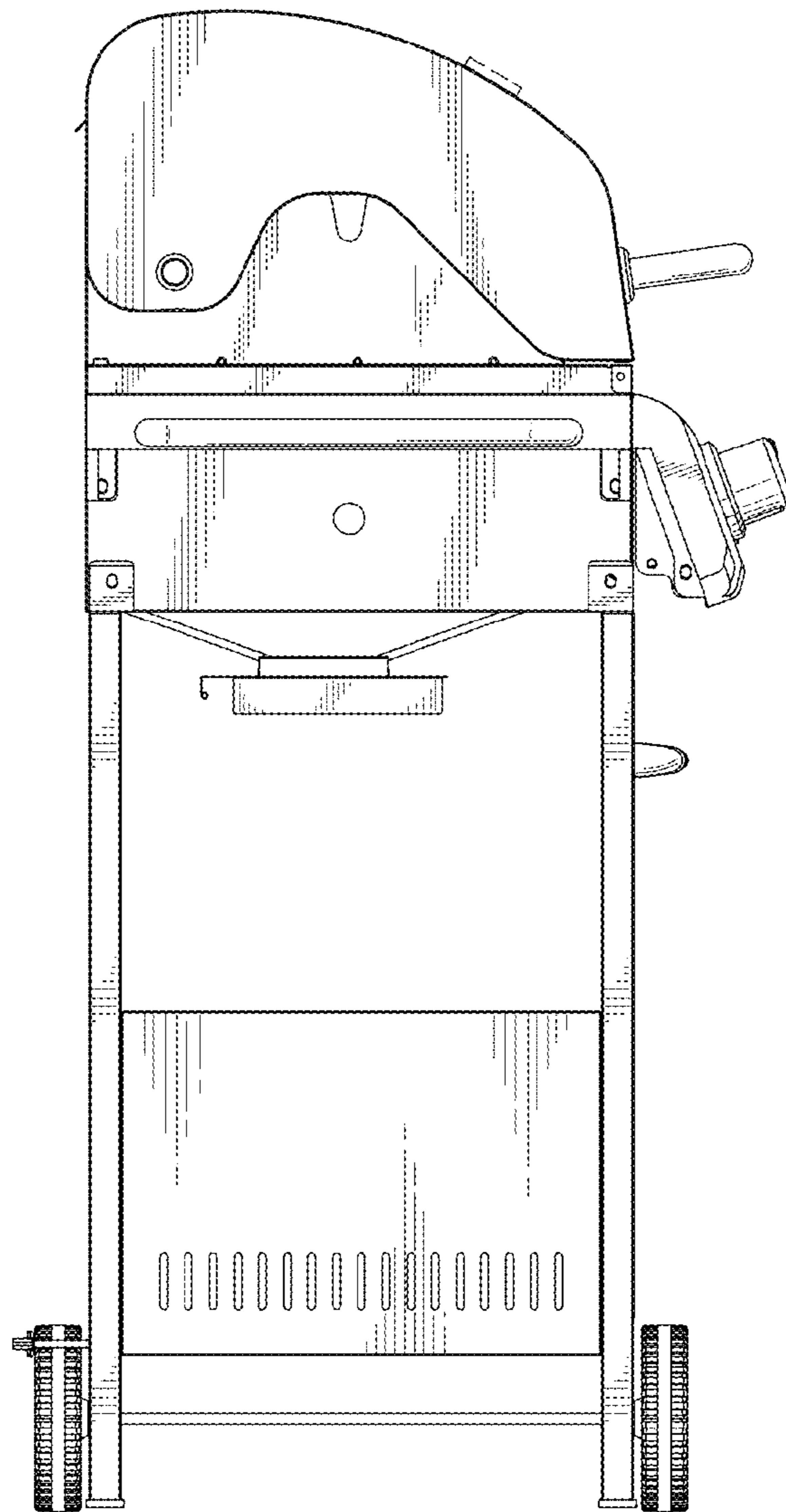


FIG. 4

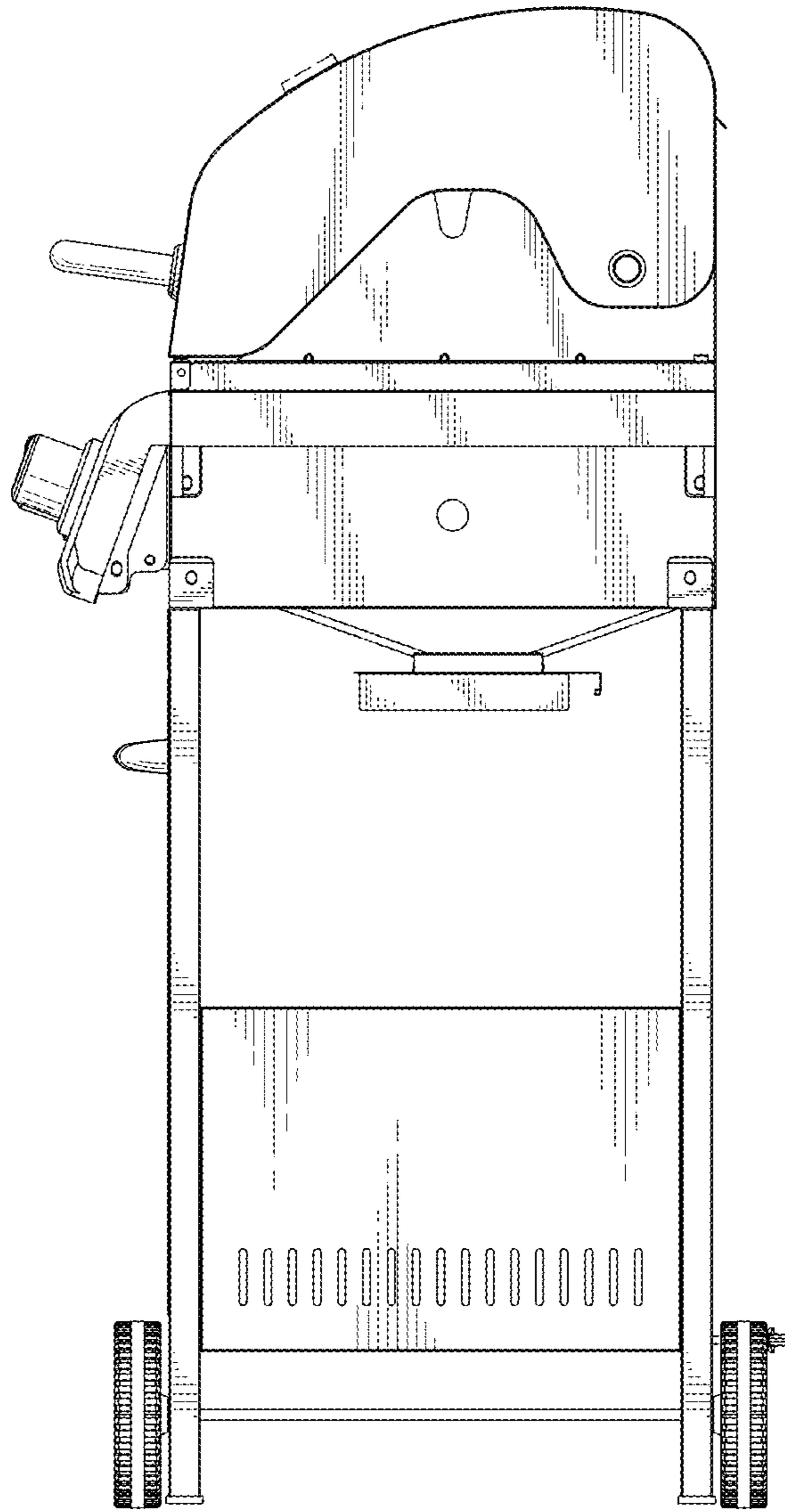


FIG. 5

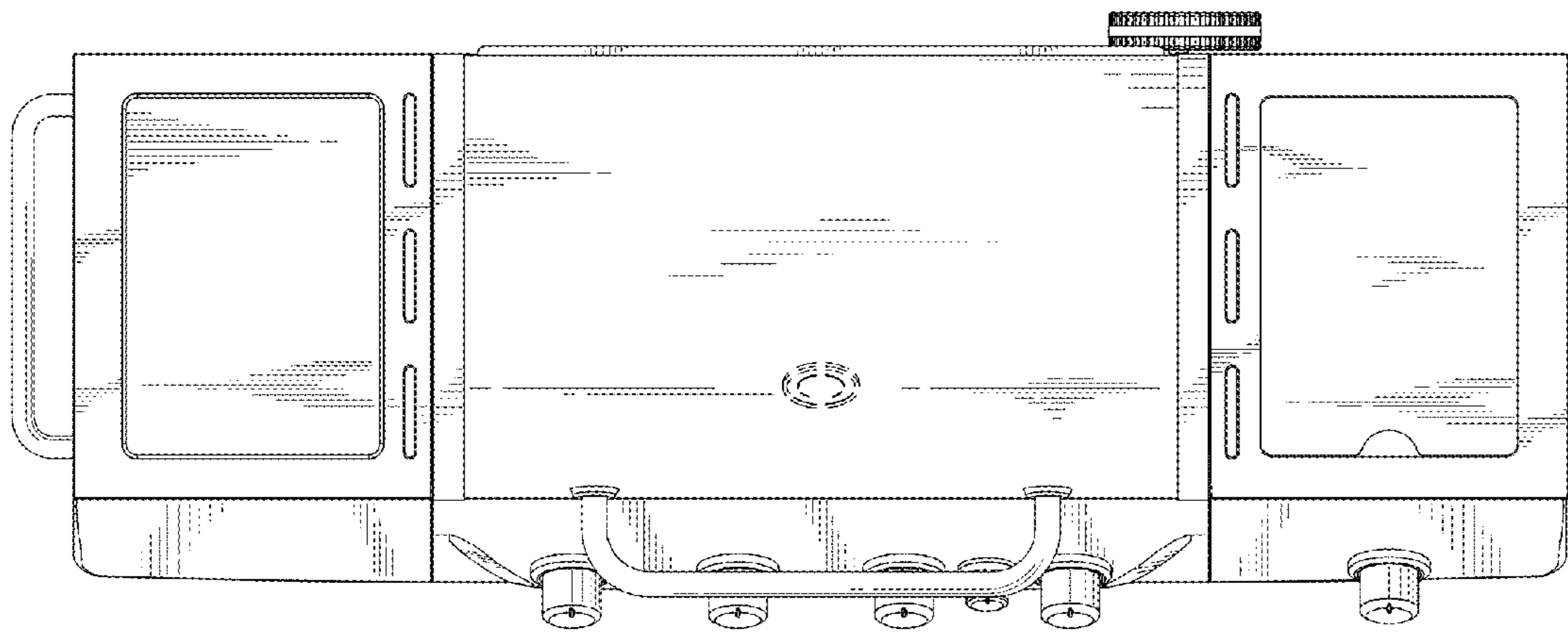


FIG. 6

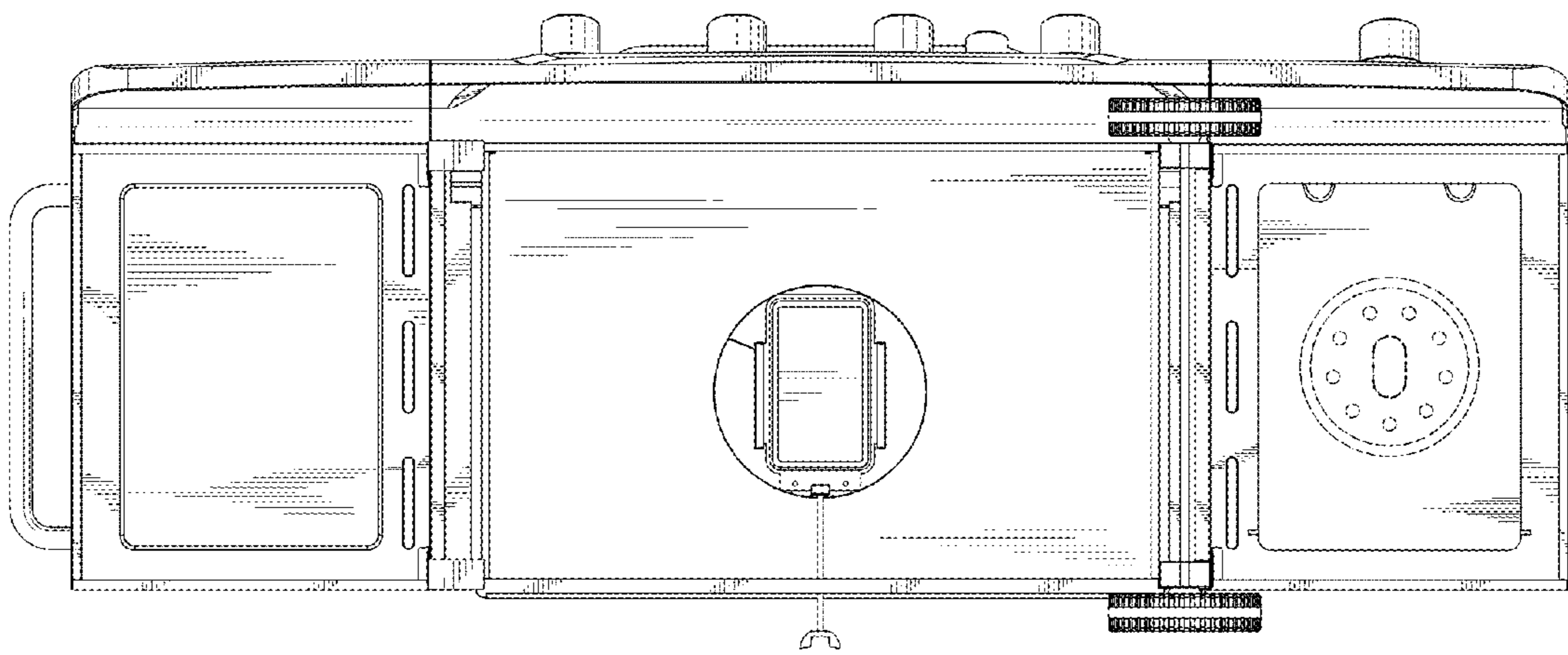


FIG. 7