



US00D722808S

(12) **United States Design Patent**
Zimmermann

(10) **Patent No.:** **US D722,808 S**

(45) **Date of Patent:** **** Feb. 24, 2015**

(54) **COMBINED KITCHEN APPLIANCE**

(71) Applicant: **WIK Far East Ltd.**, North Point (CN)

(72) Inventor: **Dirk Hagen Zimmermann**, Dusseldorf (DE)

(73) Assignee: **WIK Far East Ltd.**, Hong Kong (CN)

(**) Term: **14 Years**

(21) Appl. No.: **29/453,179**

(22) Filed: **Apr. 25, 2013**

(30) **Foreign Application Priority Data**

Nov. 6, 2012 (EM) 002130864

(51) **LOC (10) Cl.** **07-02**

(52) **U.S. Cl.**
USPC **D7/330**

(58) **Field of Classification Search**
CPC A21B 2/00; A47J 37/00; A47J 37/06;
A47J 37/0611; A47J 37/08; A47J 37/0807;
A47J 37/0814; A47J 37/0835; A47J 37/0842;
A47J 37/085; A47J 37/0864; A47J 37/0878;
A47J 37/0885; A47J 37/0892; F24C 15/10;
F24C 15/102
USPC D7/307, 323, 328–330, 390;
99/326–327, 331–332, 357, 372, 375,
99/385–402; 219/388, 405, 450.1, 532
See application file for complete search history.

(56) **References Cited**

U.S. PATENT DOCUMENTS

2,717,951 A * 9/1955 Swicker 219/532
D186,419 S * 10/1959 Keefe D7/329
D193,599 S * 9/1962 De Fanco D7/330
3,327,615 A 6/1967 Swan
D319,943 S 9/1991 Sexton et al.

5,054,382 A * 10/1991 Ward et al. 99/327
D345,074 S * 3/1994 Myers et al. D7/330
D396,987 S 8/1998 Seiffert
D413,757 S 9/1999 Viguier Muñoz
D417,118 S 11/1999 Pomeroy
D427,838 S * 7/2000 Lee D7/329
6,205,910 B1 * 3/2001 Vaughn 99/326
D481,580 S 11/2003 Daniels et al.

(Continued)

Primary Examiner — Ricky Pham

(74) *Attorney, Agent, or Firm* — Margaret Polson; Polson & Associates, PC

(57) **CLAIM**

The ornamental design for a combined kitchen appliance, as shown and described.

DESCRIPTION

FIG. 1 is a front perspective view of my new design for a combined kitchen appliance.

FIG. 2 is a front side elevation view of FIG. 1.

FIG. 3 is a back side elevation view of FIG. 1.

FIG. 4 is right side elevation view of FIG. 1.

FIG. 5 is a left side elevation view of FIG. 1.

FIG. 6 is a top plan view of FIG. 1.

FIG. 7 is a bottom plan view of FIG. 1.

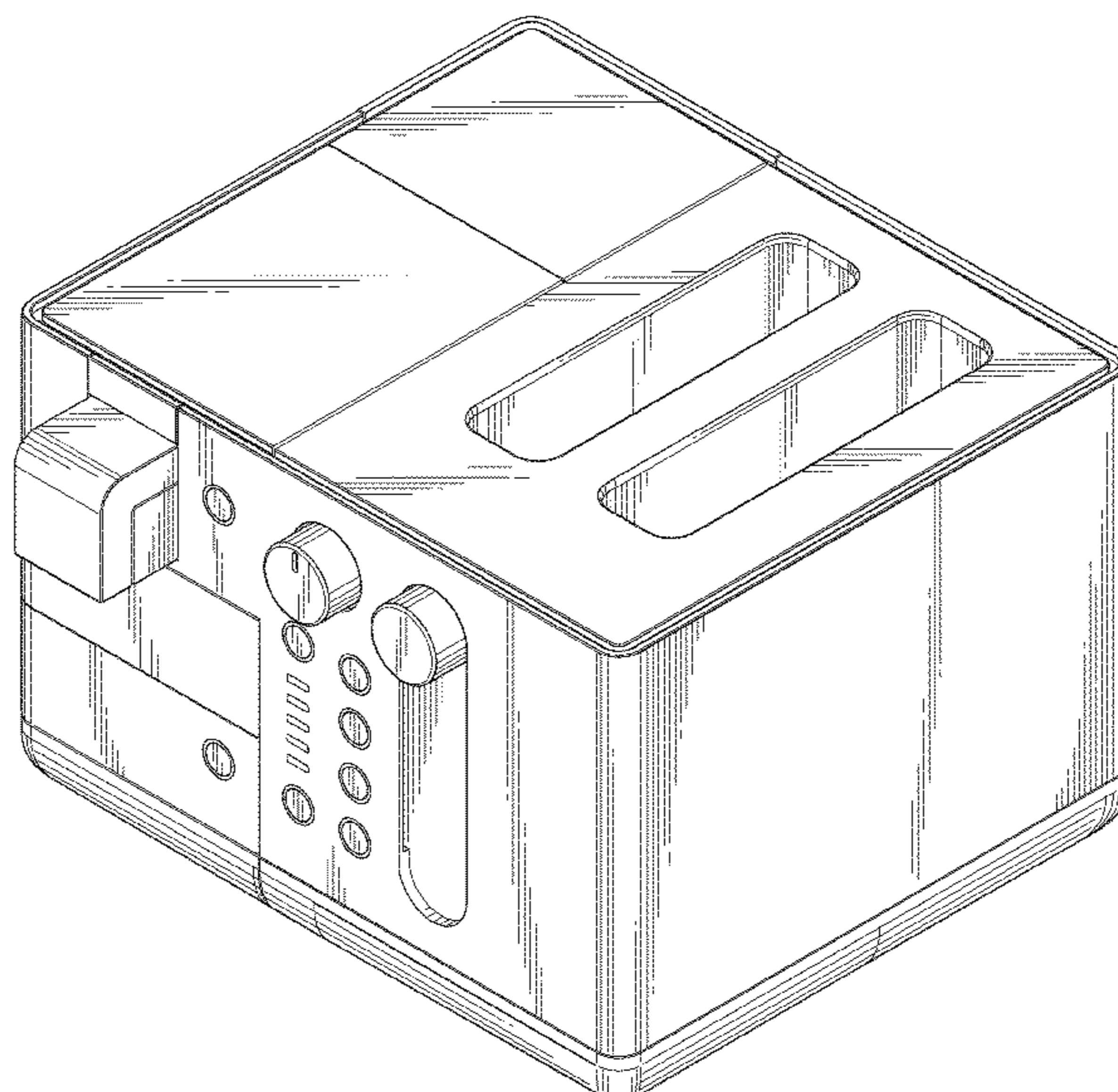
FIG. 8 is a front perspective view of the an alternate embodiment of combined kitchen appliance of FIG. 1 with the control buttons being shown in broken lines, it being understood that all other surfaces are the same as those of the first embodiment.

FIG. 9 is a front side elevation view of the combined kitchen appliance of FIG. 8, it being understood that all other surfaces are the same as those of the first embodiment; and,

FIG. 10 is a back side elevation view of FIG. 8.

The features shown in broken lines in the drawing depict environmental subject matter only and form no part of the claimed design.

1 Claim, 7 Drawing Sheets



(56)

References Cited

U.S. PATENT DOCUMENTS

D481,901 S	11/2003	Daniels et al.		
D486,345 S	2/2004	Schwamkrug		
D486,346 S	2/2004	Jönsson		
D523,279 S	6/2006	Zemp		
D525,474 S *	7/2006	Huang	D7/330	
D547,105 S *	7/2007	Matras	D7/330	
7,243,867 B2	7/2007	Steckhan		
D554,931 S *	11/2007	Genslak et al.	D7/330	
D556,494 S	12/2007	Adachi et al.		
D592,901 S	5/2009	Speh		
D595,991 S	7/2009	Zimmerman		
D611,289 S	3/2010	de Visser		
D622,534 S	8/2010	Zimmerman		
D622,535 S *	8/2010	Jaffe et al.	D7/307	
D628,429 S *	12/2010	Ye	D7/330	
D630,880 S	1/2011	Zimmerman		
D644,473 S *	9/2011	Pantaleo et al.	D7/330	
2011/0126718 A1	6/2011	Meuer		

* cited by examiner

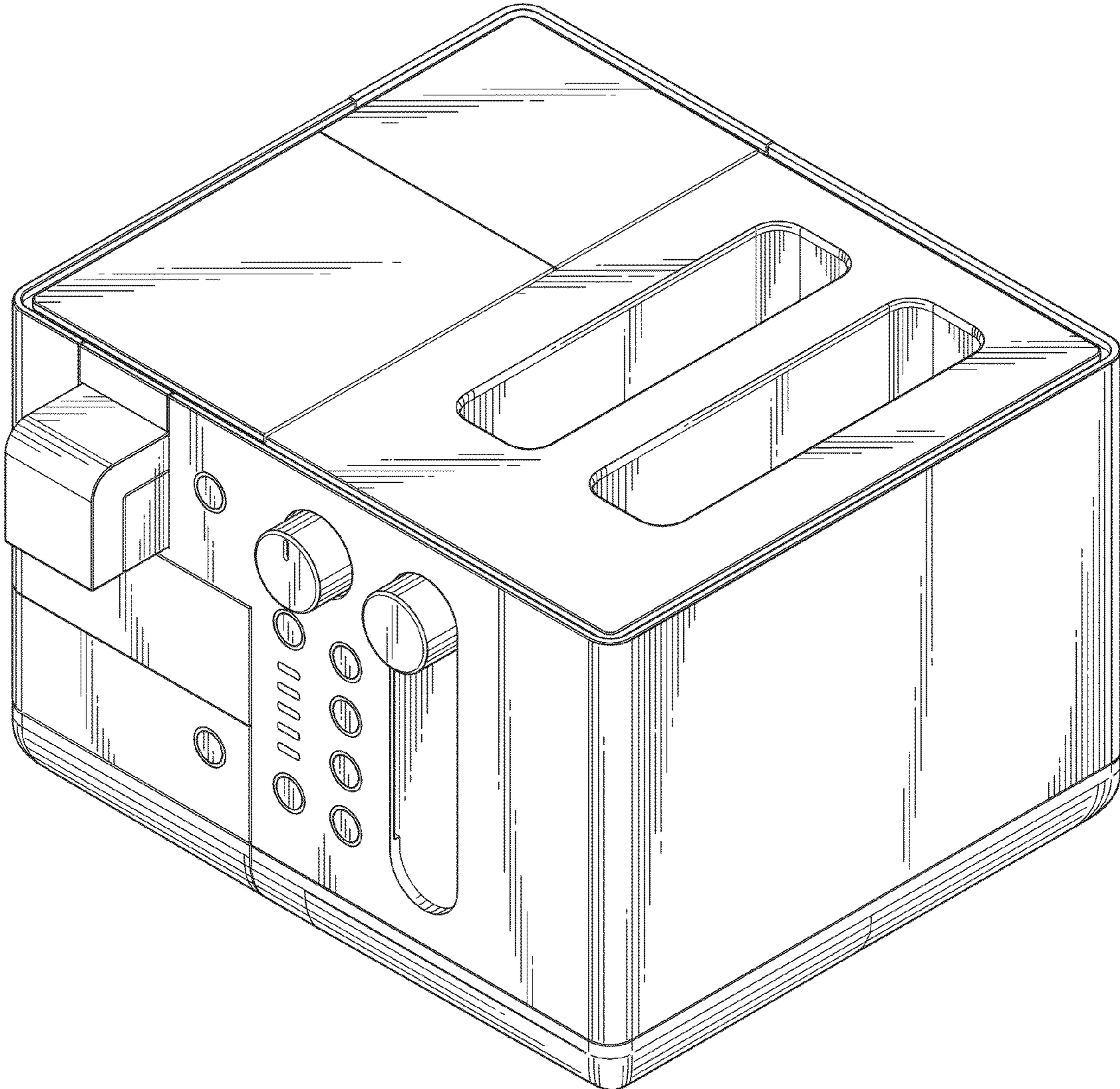


FIG.1

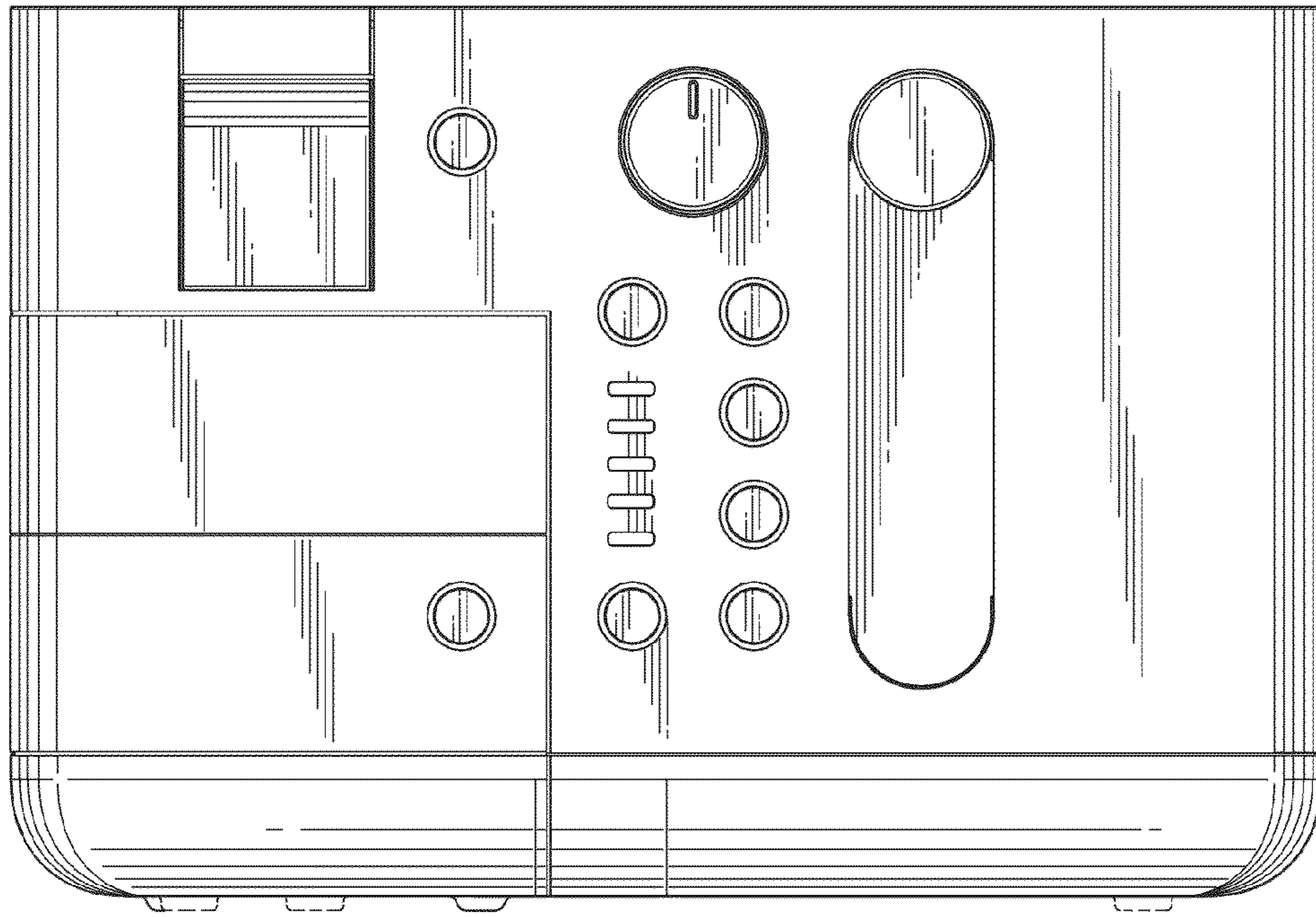


FIG.2

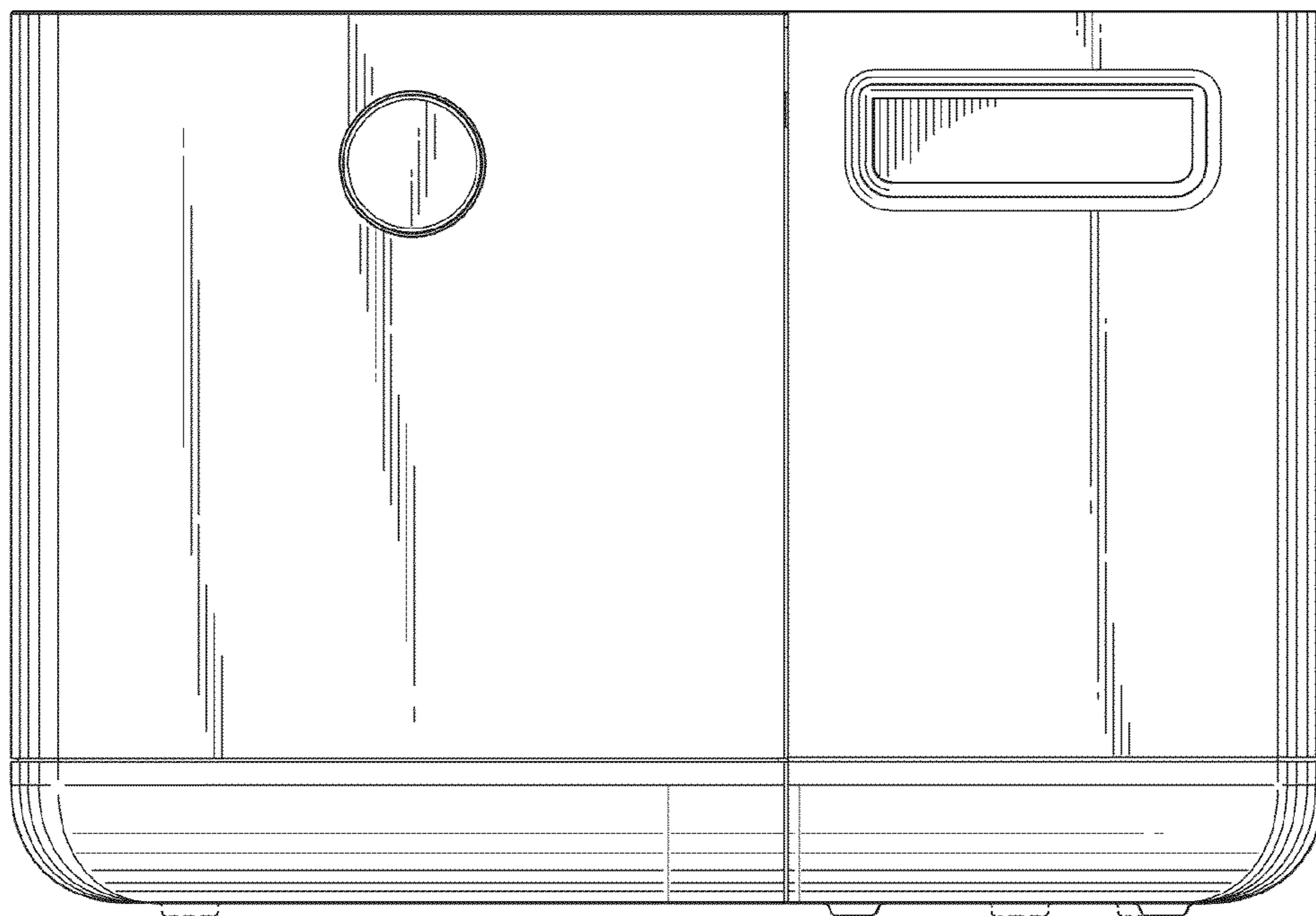


FIG.3

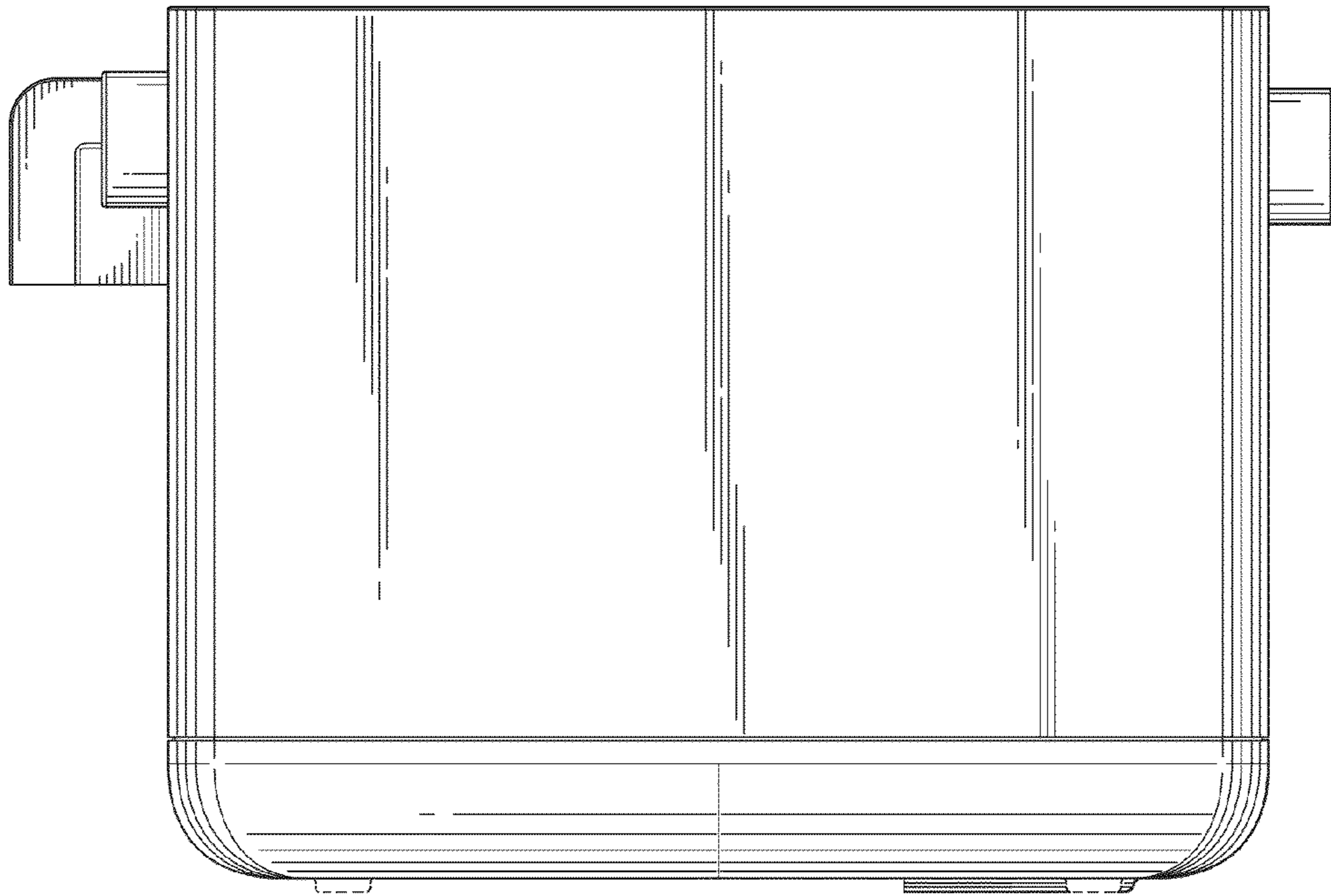


FIG. 4

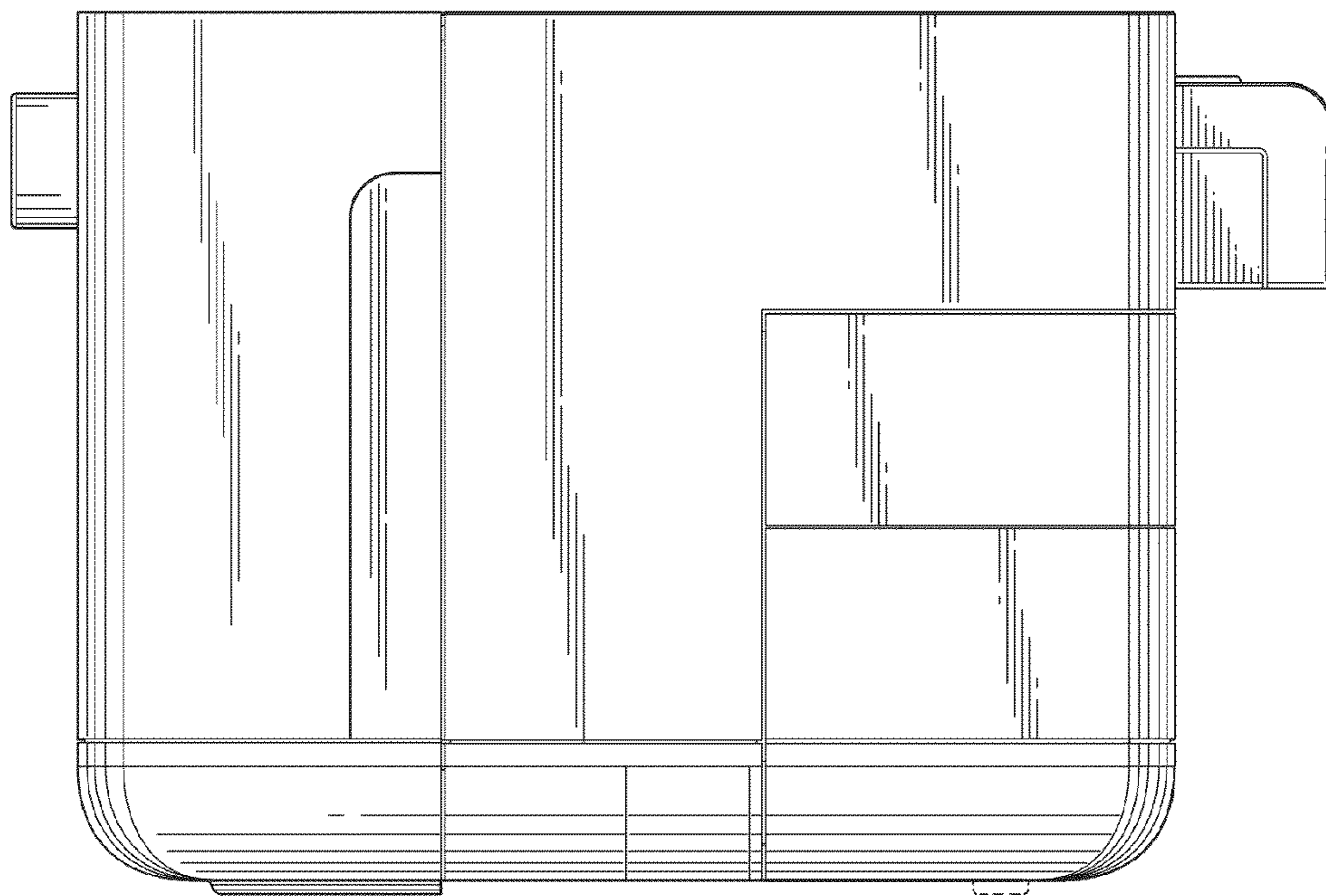


FIG. 5

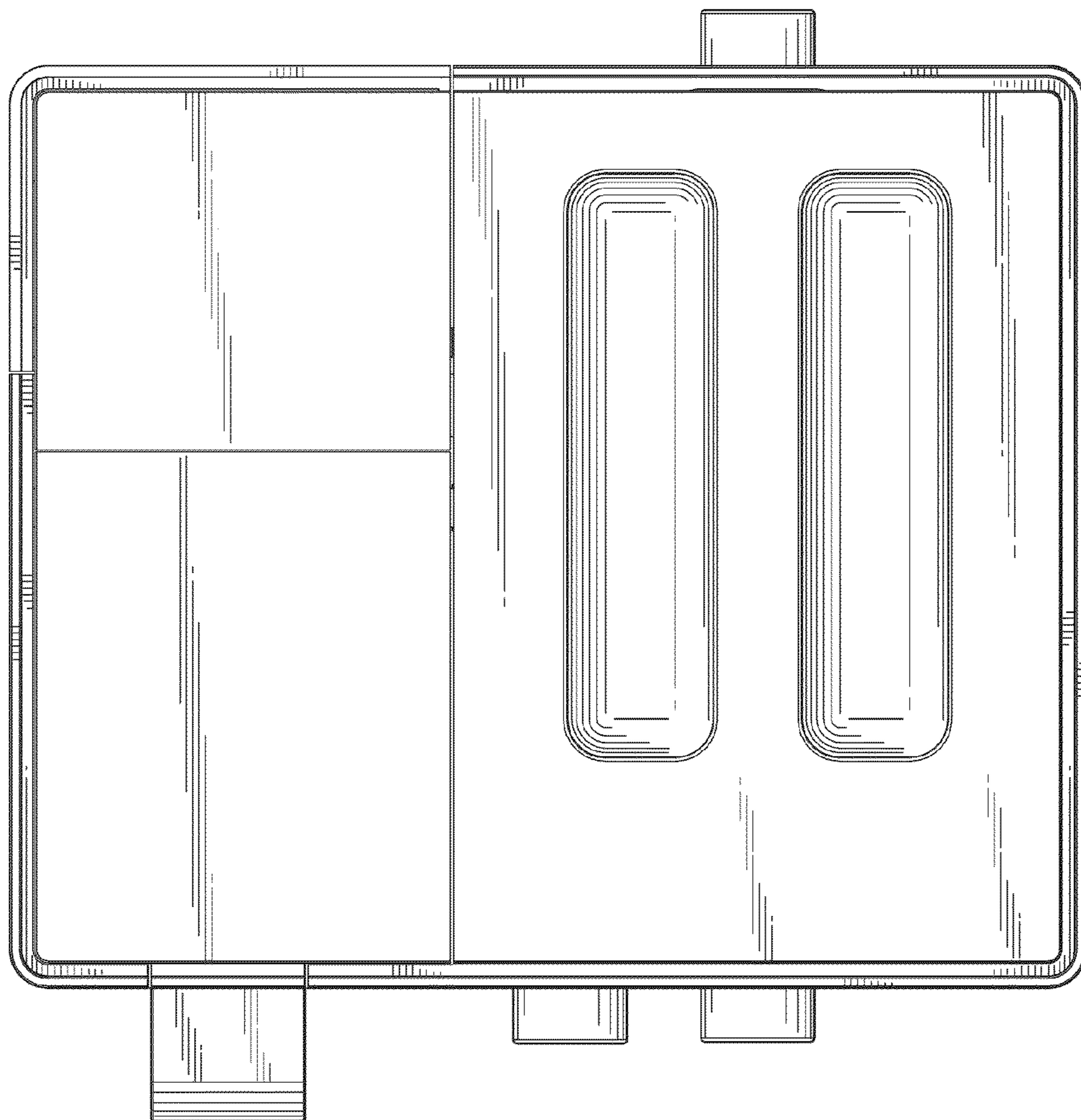


FIG.6

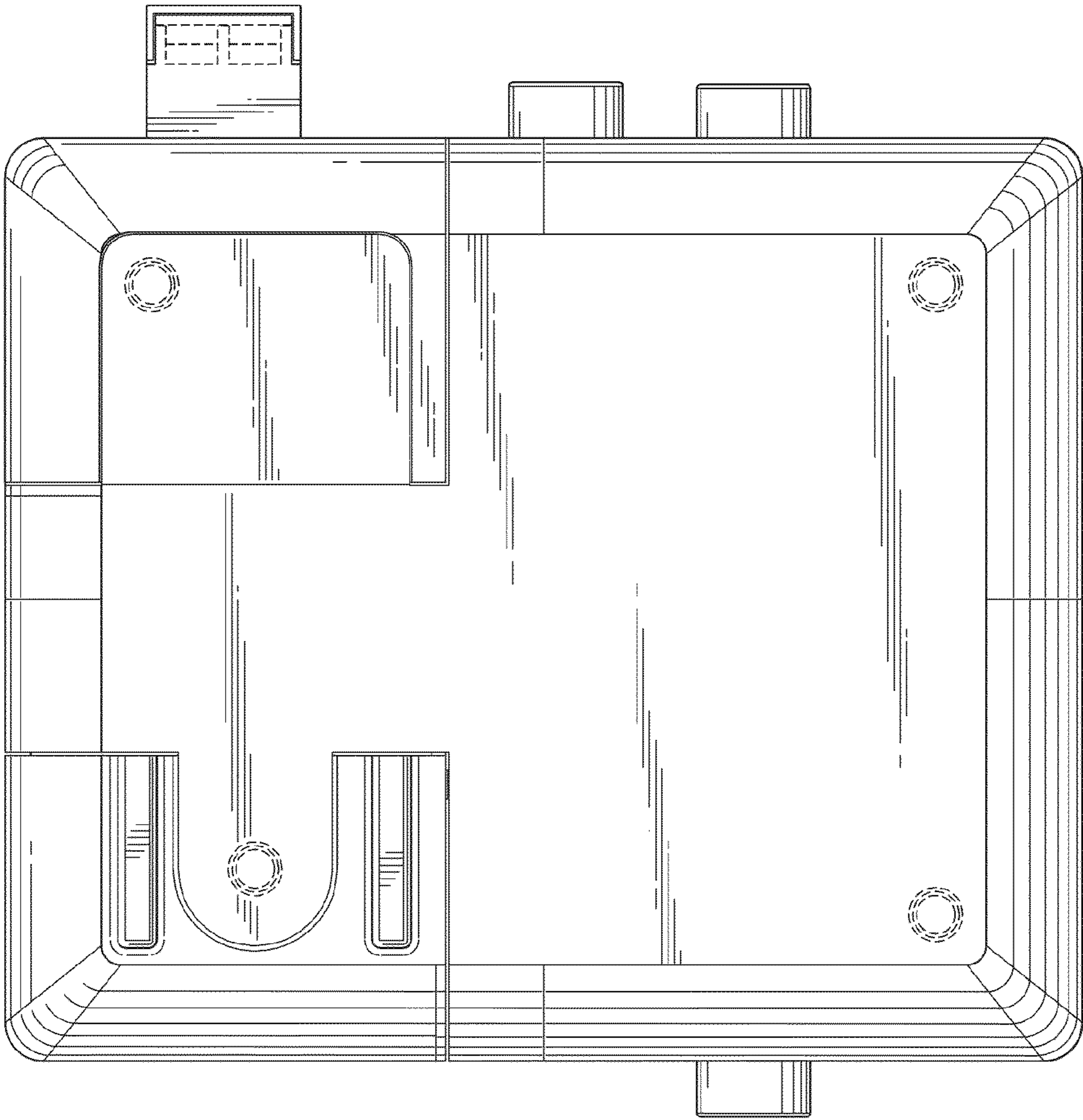


FIG.7

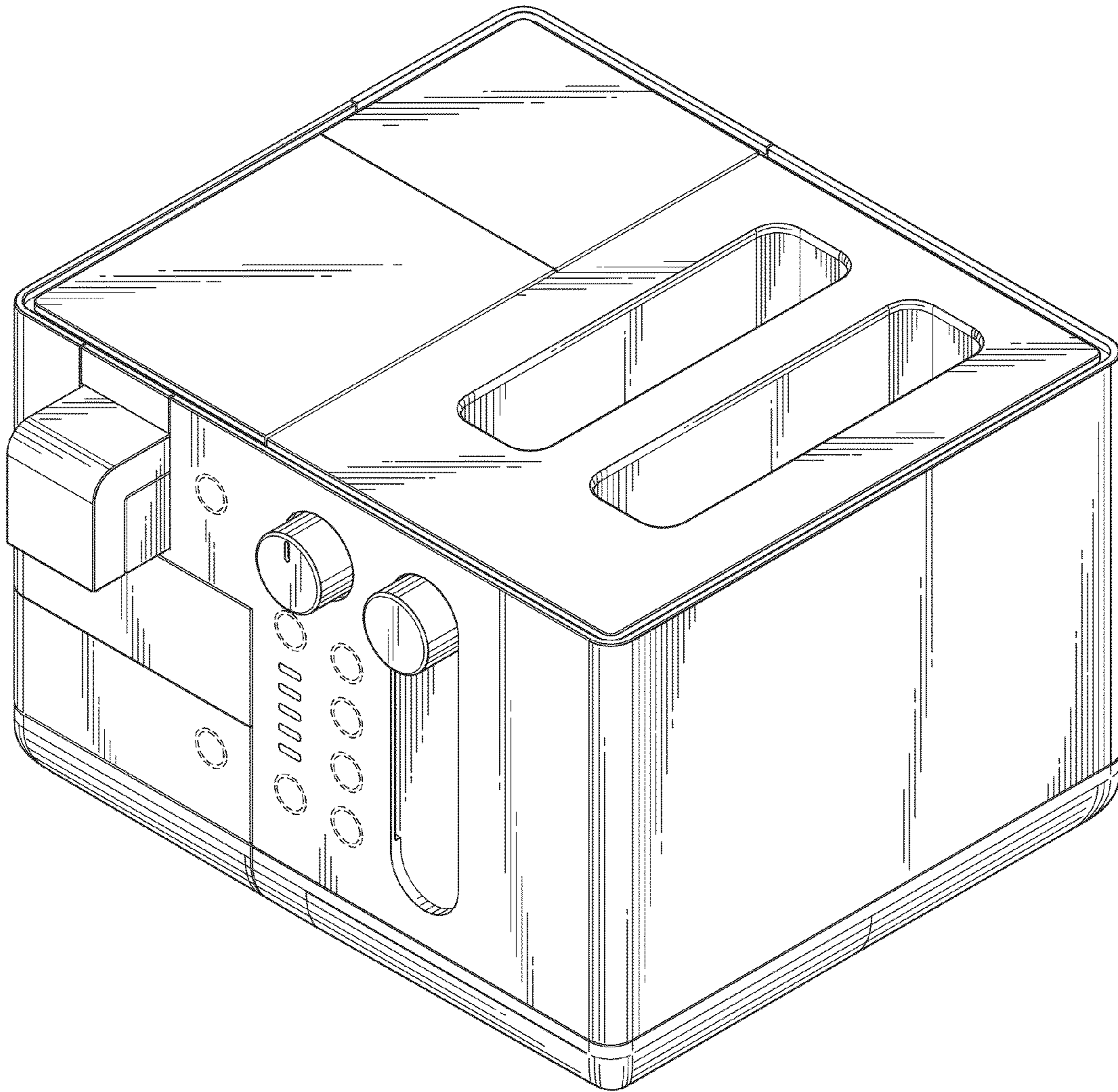


FIG.8

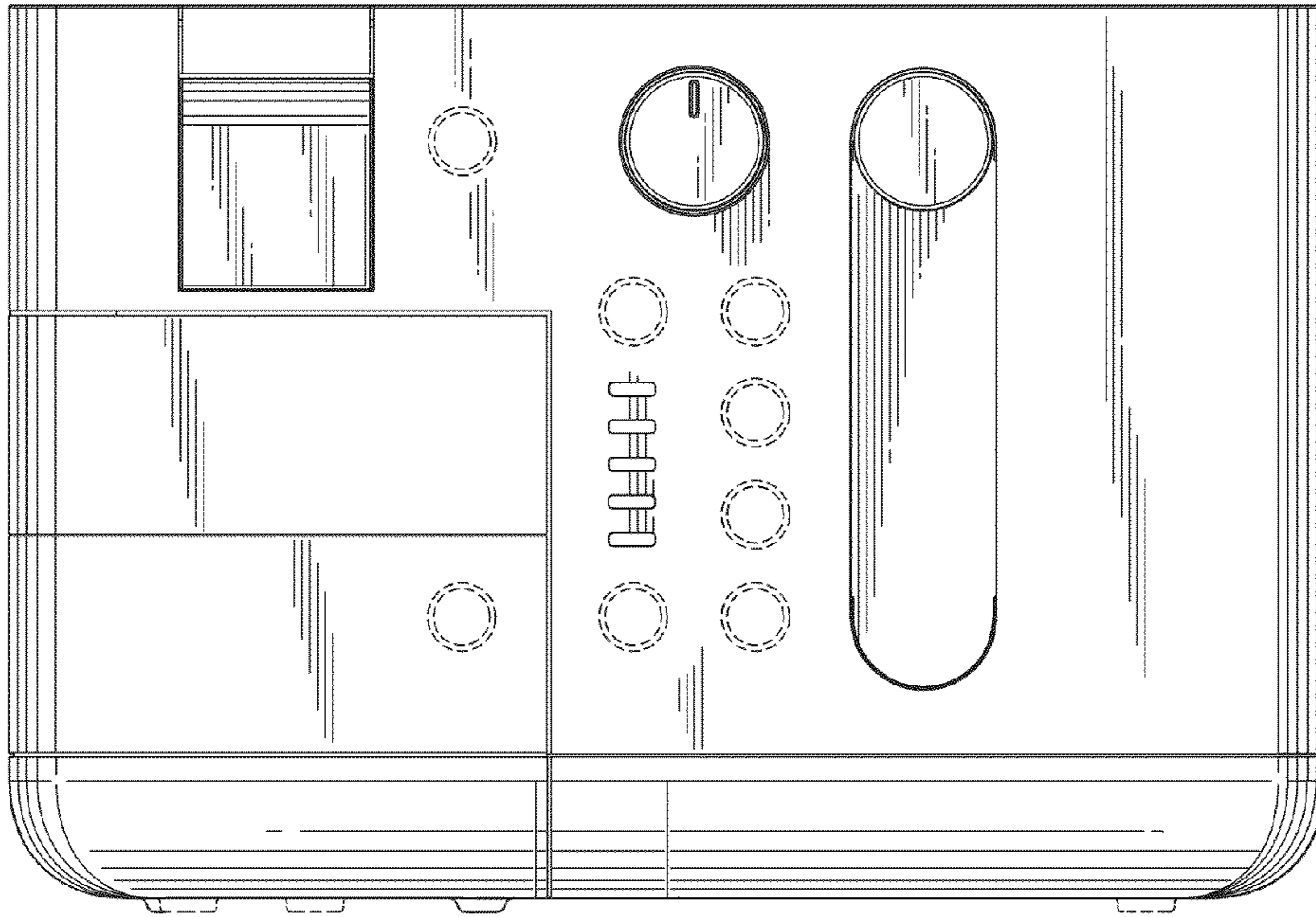


FIG. 9

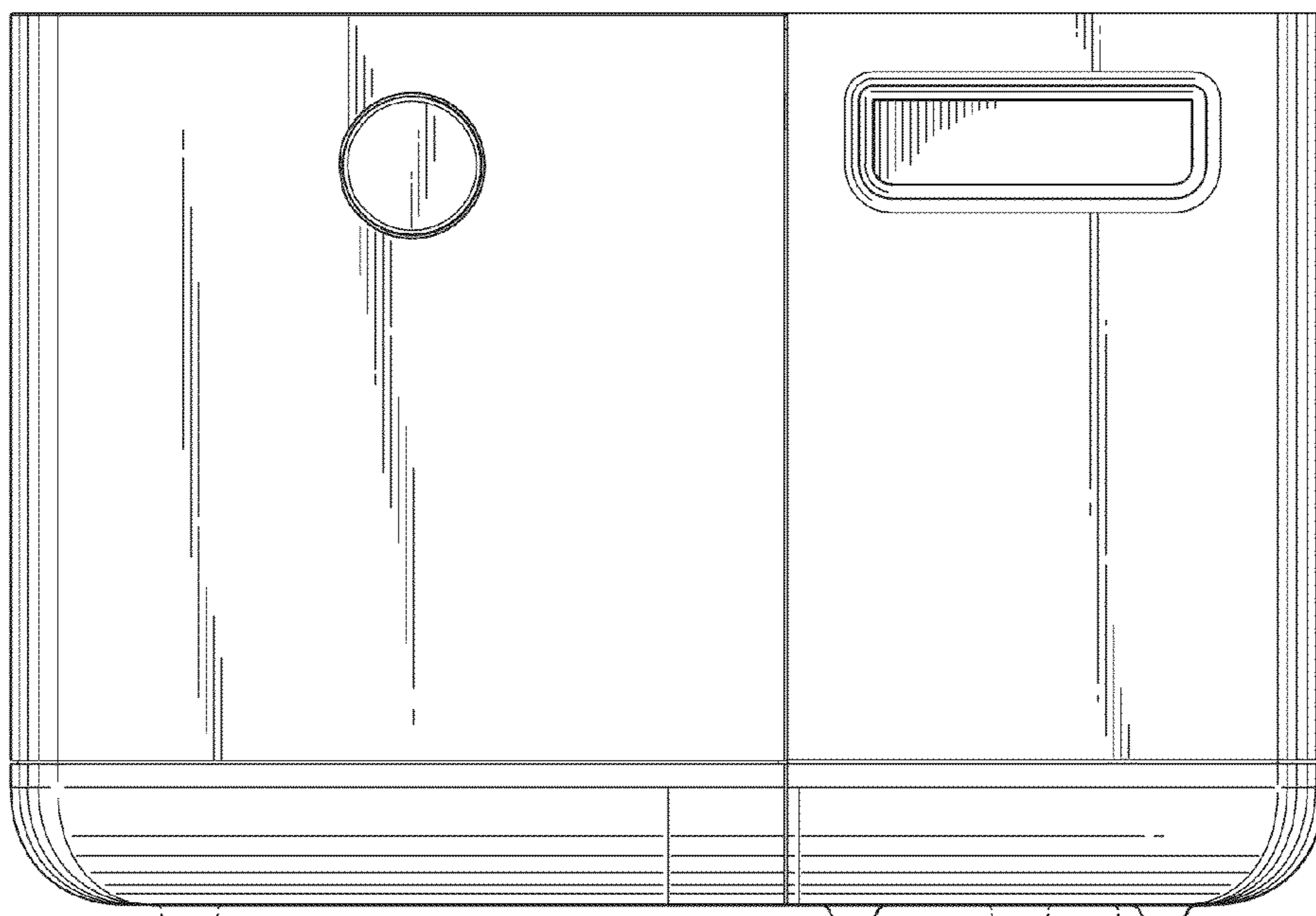


FIG. 10