



US00D722806S

(12) **United States Design Patent**
Leyva

(10) **Patent No.:** **US D722,806 S**
(45) **Date of Patent:** **** Feb. 24, 2015**

- (54) **KEG DISPENSER HOUSING**
- (71) Applicant: **Robert Leyva**, Roswell, NM (US)
- (72) Inventor: **Robert Leyva**, Roswell, NM (US)
- (**) Term: **14 Years**
- (21) Appl. No.: **29/473,974**
- (22) Filed: **Nov. 27, 2013**

Related U.S. Application Data

- (63) Continuation of application No. 13/025,090, filed on Feb. 10, 2011, now abandoned.
- (51) **LOC (10) Cl.** **07-01**
- (52) **U.S. Cl.**
USPC **D7/306; D7/313**
- (58) **Field of Classification Search**
CPC B67D 1/025; B67D 1/0412; B67D 1/0829;
B67D 1/02
USPC D7/300, 300.1, 300.2, 301-316;
D9/738, 741, 745, 747, 772, 523, 525,
D9/529, 530, 549, 416, 417, 544, 551,
D9/435; D15/79, 81, 84; 222/146.6;
220/592.18, 592.19
See application file for complete search history.

(56) **References Cited**

U.S. PATENT DOCUMENTS

2,063,171	A	12/1936	Kucher	
2,223,152	A	11/1940	Nagin	
D143,887	S *	2/1946	Thompson	D7/307
3,865,276	A	2/1975	Thompson	
D241,219	S *	8/1976	Martin	D7/309
4,225,059	A	9/1980	Kappos	
D271,877	S *	12/1983	Hoff	D15/81
D285,052	S *	8/1986	Bianchi et al.	D9/521
D298,602	S *	11/1988	Price	D7/313
D300,106	S *	3/1989	Paulin	D7/309
D311,298	S *	10/1990	Mollenhoff	D7/300
D352,296	S	11/1994	Westendorf	
D367,864	S *	3/1996	Lacewell	D15/85

D368,271	S *	3/1996	Montgomery	D15/85
D423,862	S *	5/2000	Mravlja et al.	D7/306
6,237,345	B1	5/2001	Kalman et al.	
6,502,415	B2	1/2003	Chiusolo	
D469,787	S	2/2003	Wicker	
D482,227	S *	11/2003	Walton	D7/306
D489,214	S *	5/2004	Noda et al.	D7/309
D538,641	S *	3/2007	Limber	D9/745
7,237,390	B1	7/2007	Nelson	
D588,852	S *	3/2009	Stein	D7/301
D617,603	S *	6/2010	Garman et al.	D7/373
D640,569	S *	6/2011	Alongi et al.	D9/745
D646,104	S *	10/2011	Zhou et al.	D7/305
D677,102	S *	3/2013	Walton et al.	D7/306
D691,643	S *	10/2013	Sharkey	D15/81
D697,748	S *	1/2014	Wang et al.	D7/306
2002/0050496	A1	5/2002	Van Der Meer	

FOREIGN PATENT DOCUMENTS

DE 90 06 681 8/1990

* cited by examiner

Primary Examiner — Marianne Pandozzi

Assistant Examiner — Jae Liang

(74) *Attorney, Agent, or Firm* — Peacock Myers, P.C.;
Janeen Vilven

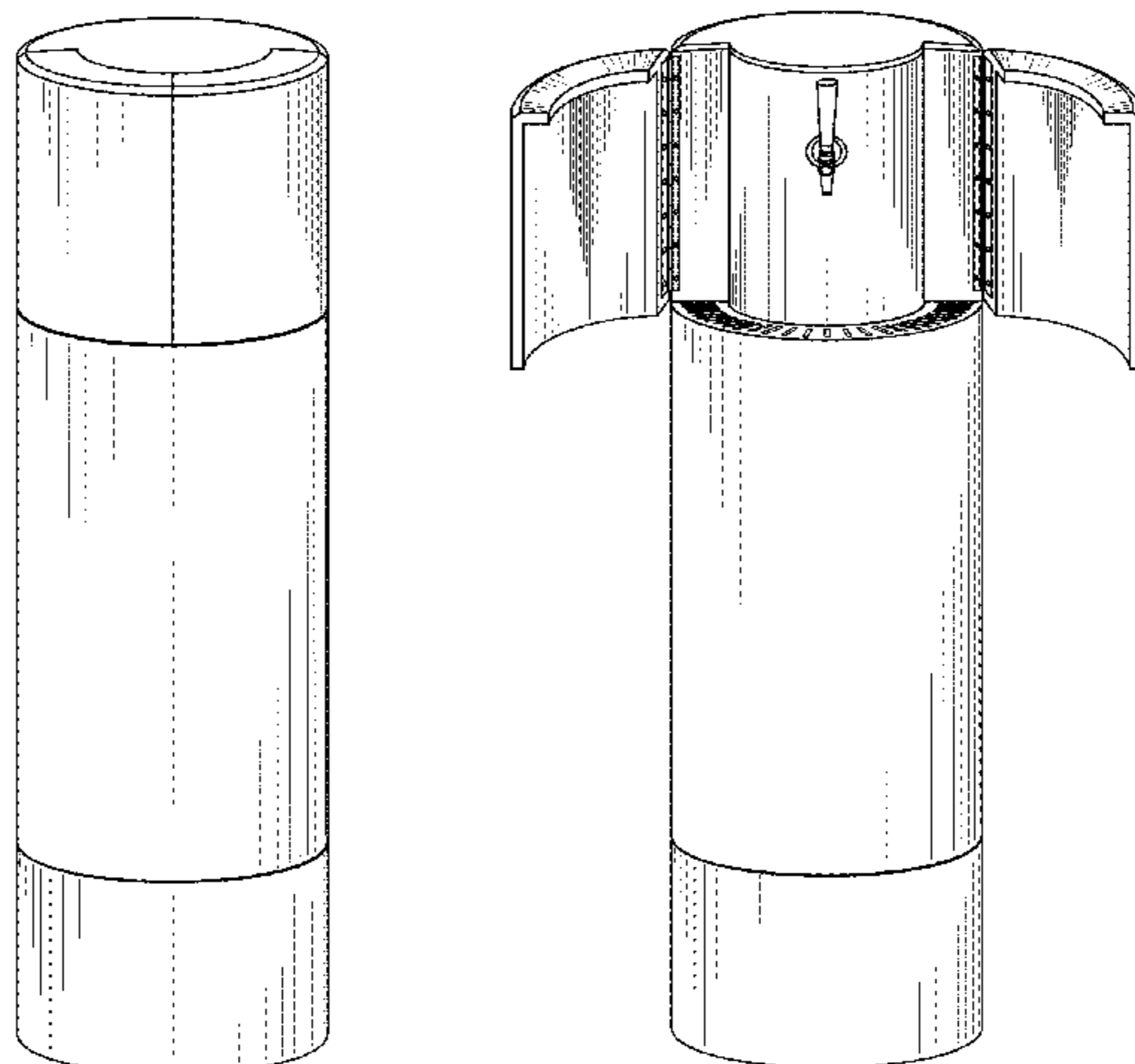
(57) **CLAIM**

The ornamental design for a keg dispenser housing, as shown and described.

DESCRIPTION

FIG. 1 is a perspective view of a keg dispenser housing showing my new design;
FIG. 2 is a front plan view thereof;
FIG. 3 is a back plan view thereof;
FIG. 4 is a right side plan view thereof;
FIG. 5 is a left side plan view thereof;
FIG. 6 is a top plan view thereof;
FIG. 7 is a bottom plan view thereof; and,
FIG. 8 is a front view with the doors open.

1 Claim, 5 Drawing Sheets



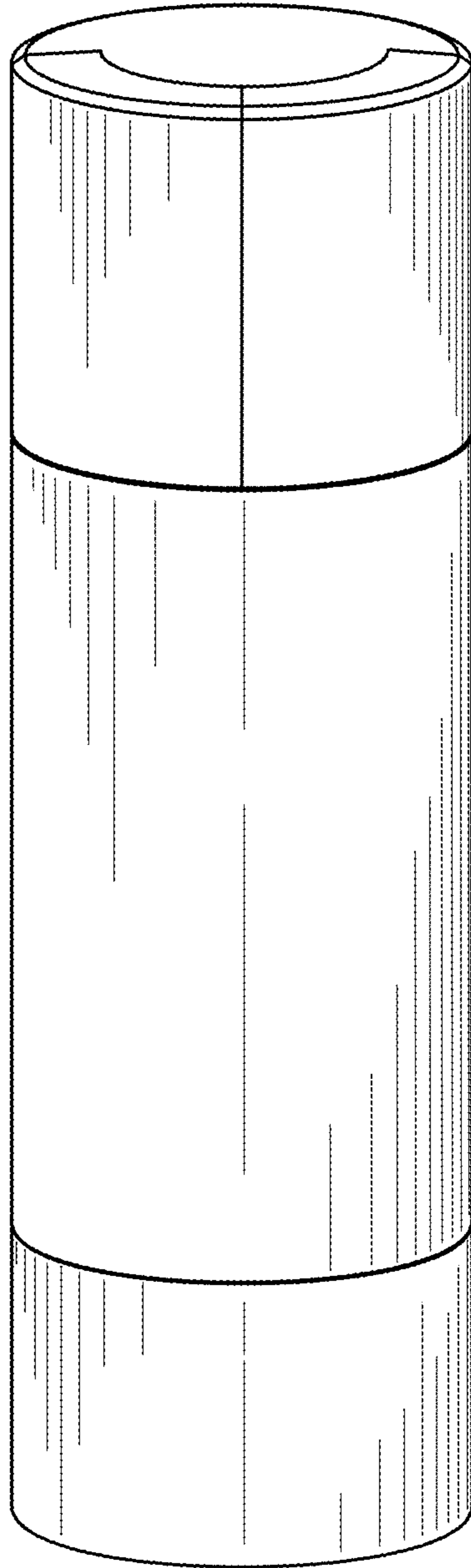


FIG. 1

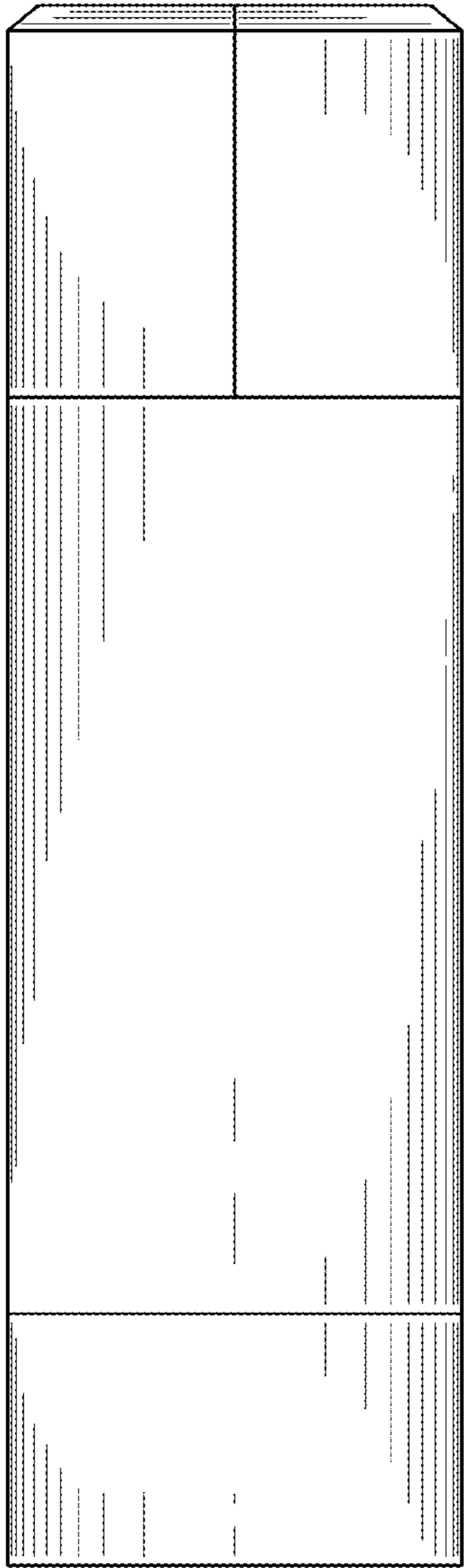


FIG. 2

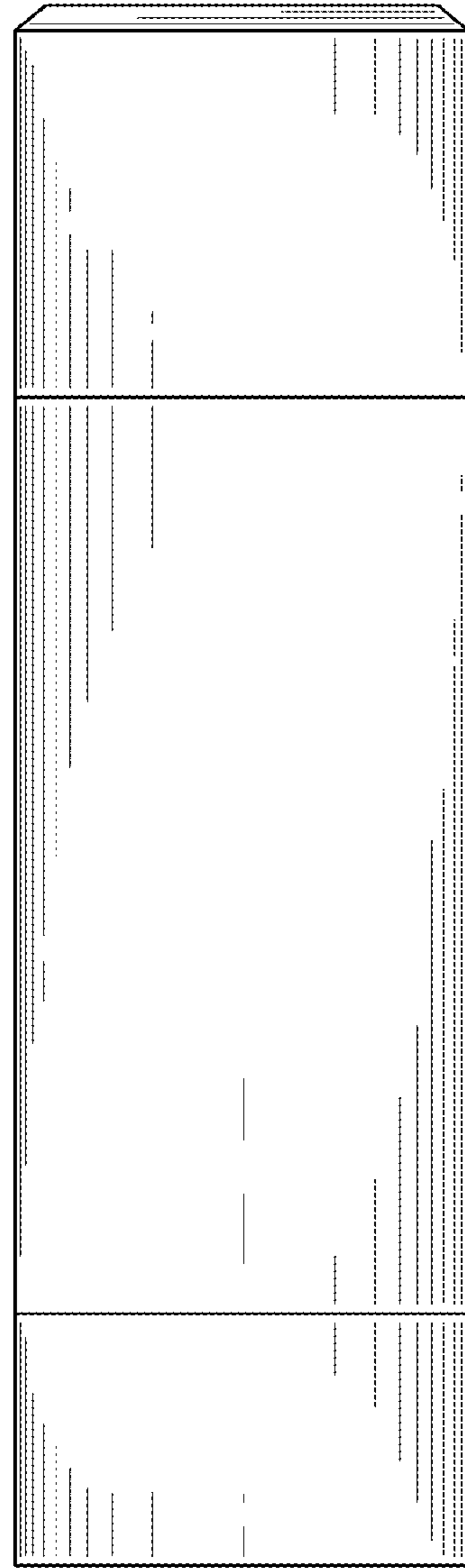


FIG. 3

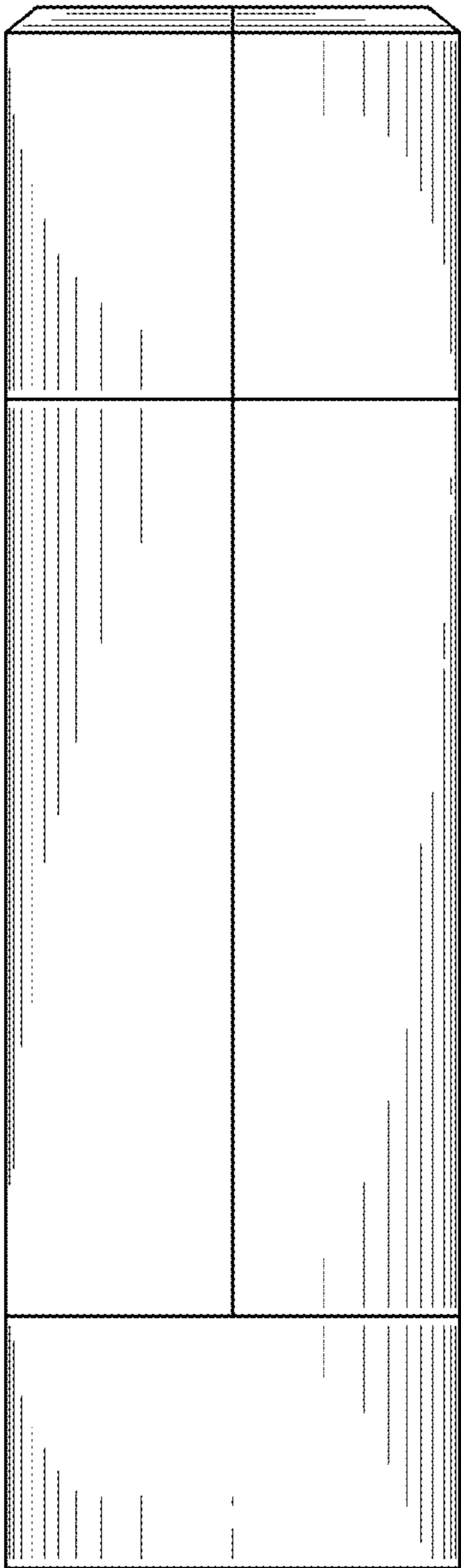


FIG. 4

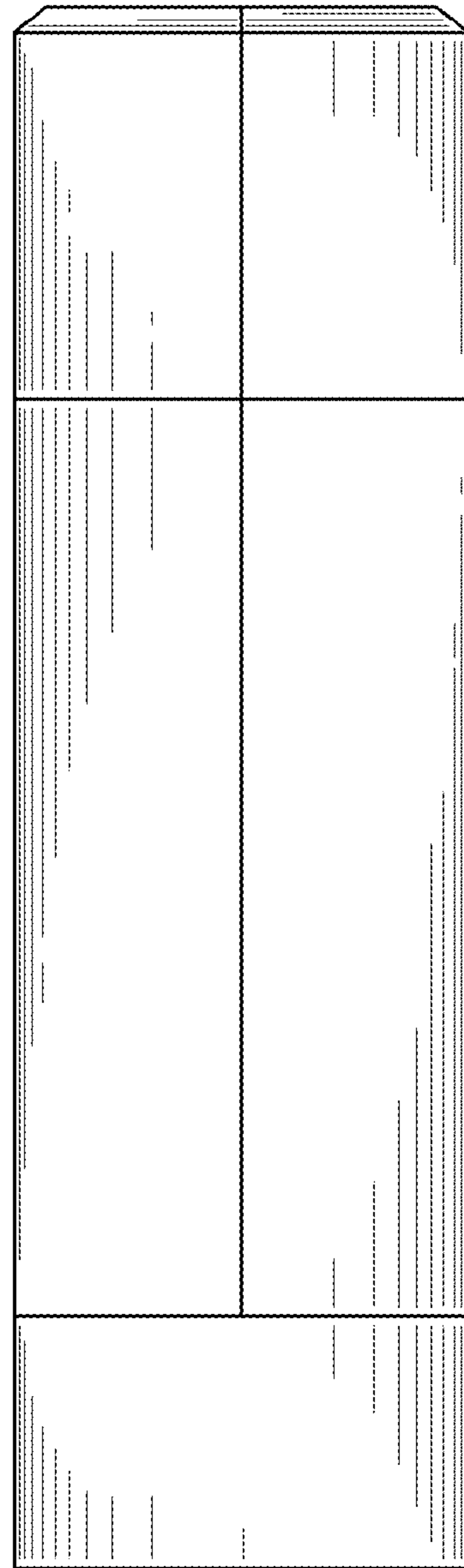


FIG. 5

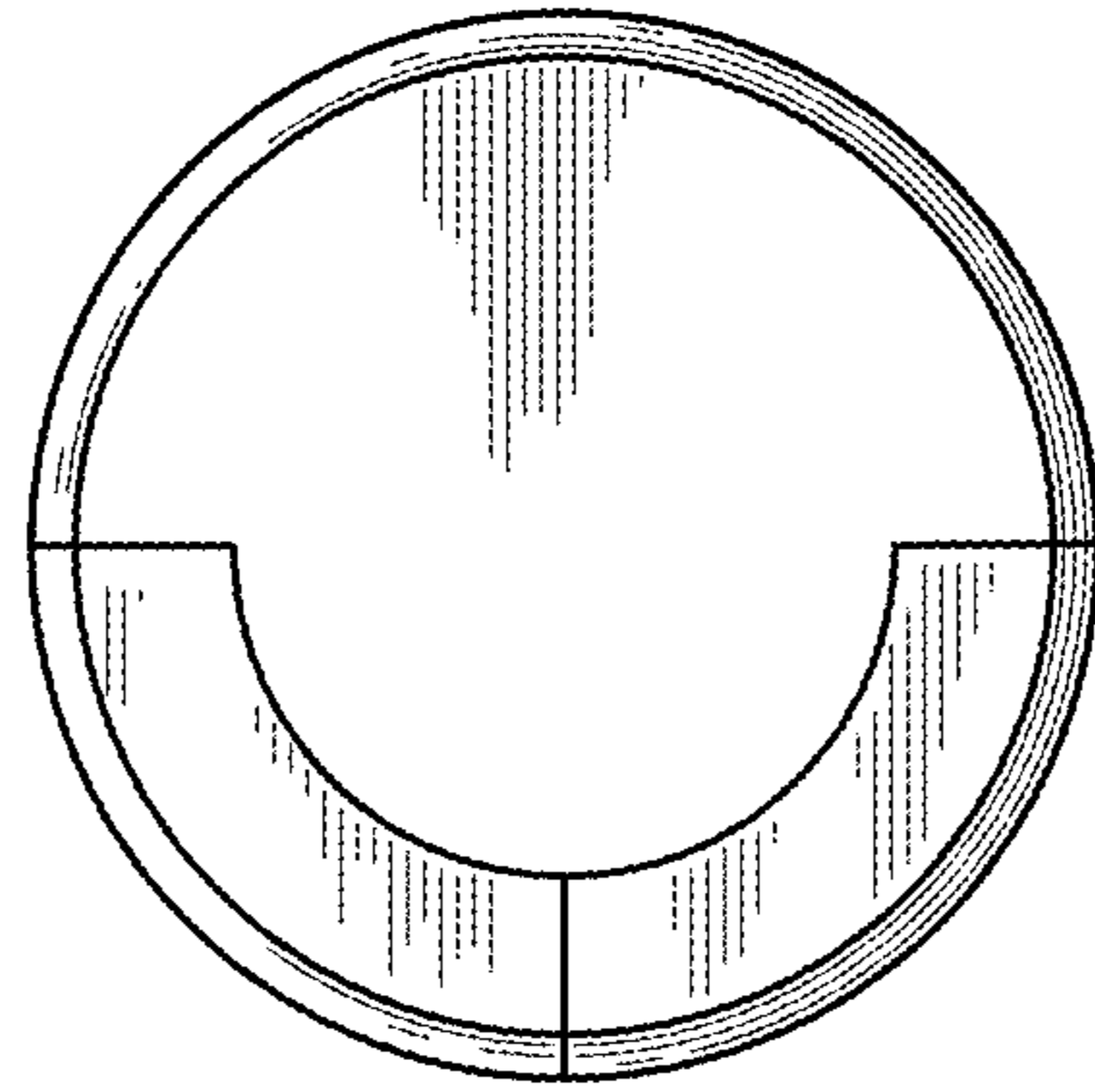


FIG. 6

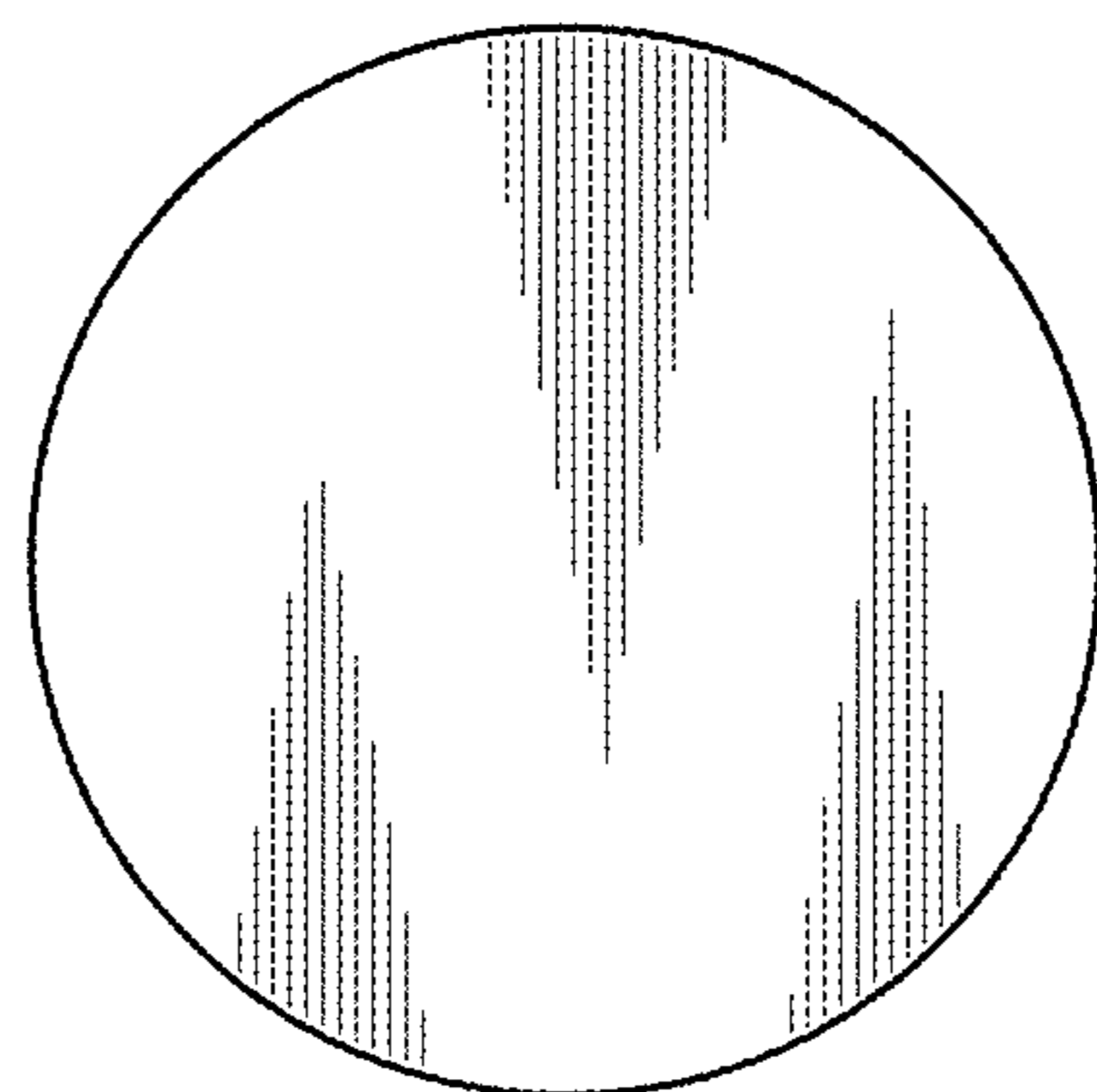


FIG. 7

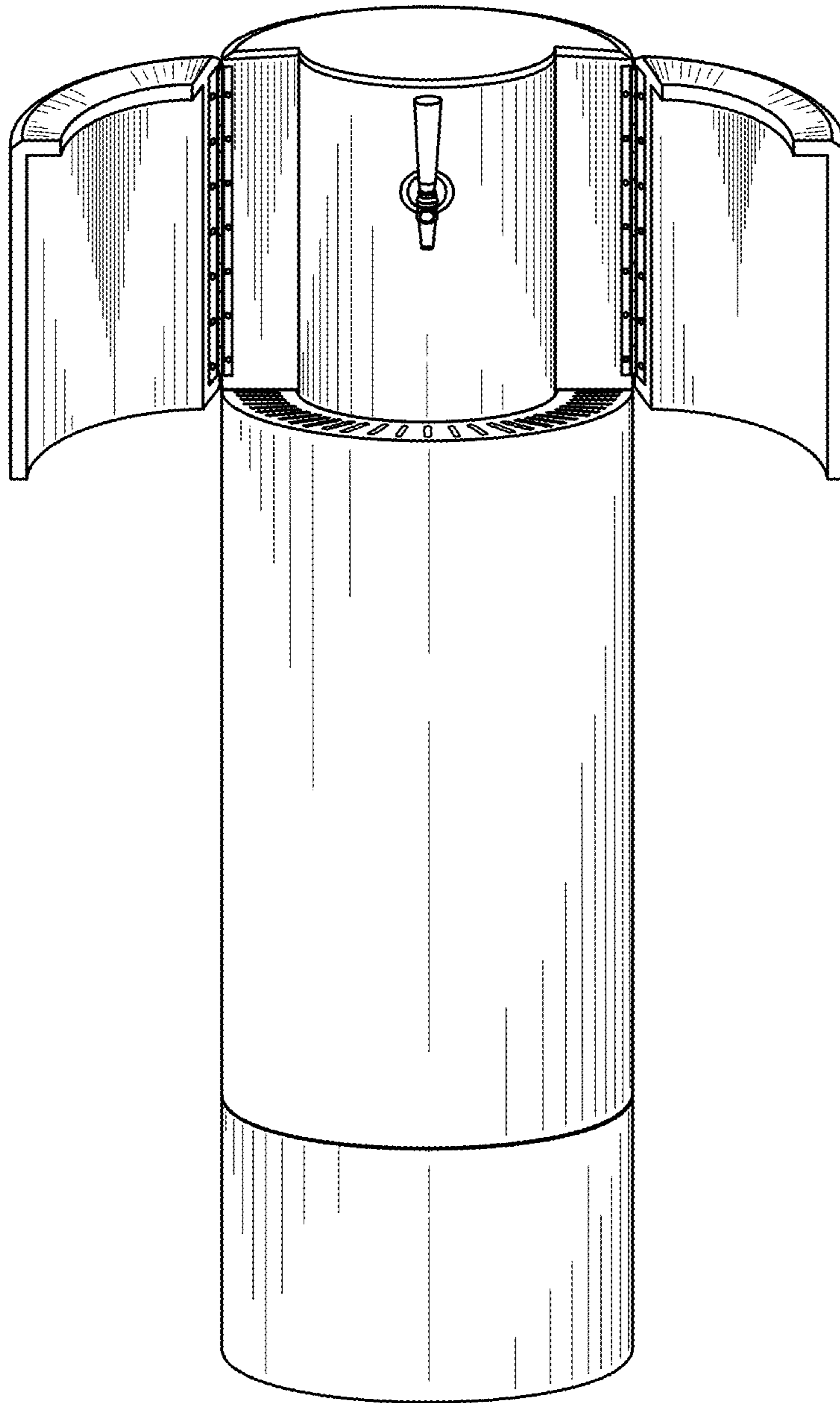


FIG. 8