



US00D722804S

(12) **United States Design Patent**
Kay et al.

(10) **Patent No.:** **US D722,804 S**
(45) **Date of Patent:** **** Feb. 24, 2015**

- (54) **BEVERAGE JUICER/SHAKER**
- (71) Applicant: **International Business Communications, Inc.**, Lake Success, NY (US)
- (72) Inventors: **Norman Kay**, Sands Point, NY (US);
Rachel Samaroo, Cedarhurst, NY (US)
- (73) Assignee: **International Business Communications, Inc.**, Lake Success, NY (US)
- (**) Term: **14 Years**
- (21) Appl. No.: **29/475,386**
- (22) Filed: **Dec. 3, 2013**
- (51) **LOC (10) Cl.** **07-01**
- (52) **U.S. Cl.**
USPC **D7/300.1**
- (58) **Field of Classification Search**
USPC D7/300, 300.1, 302, 303, 305, 310, 312,
D7/314, 315, 316, 317, 321, 368, 369, 387,
D7/396.2, 397, 398, 412, 415, 500, 505,
D7/507, 509, 510, 511, 538, 540, 541, 560,
D7/562, 589, 590, 591, 597, 598, 601, 602,
D7/615, 619.1, 637, 638, 665, 667, 669;
D9/434, 435, 436, 440, 447, 500, 502,
D9/503, 516, 547, 559, 560, 715, 718, 719,
D9/730, 737, 738; 99/275, 495, 506, 508;
215/386, 687, 390, 392; 426/489
See application file for complete search history.

(56) **References Cited**

U.S. PATENT DOCUMENTS

441,882	A *	12/1890	Manny	99/508
1,075,119	A *	10/1913	Reichner	99/508
1,168,032	A *	1/1916	Reichner	99/508
D289,975	S *	5/1987	Wendt	D24/121

D416,195	S *	11/1999	Faughey et al.	D9/719
7,117,784	B2 *	10/2006	de Groote	99/508
D534,826	S *	1/2007	Jossem et al.	D7/665
D535,566	S *	1/2007	Lin	D9/560
D602,785	S *	10/2009	Rothberg et al.	D9/560
D641,638	S *	7/2011	Stengel	D9/560
D655,181	S *	3/2012	Kraft et al.	D9/560
D675,101	S *	1/2013	Wilson et al.	D9/559
2005/0284309	A1 *	12/2005	de Groote	99/508
2011/0219959	A1 *	9/2011	Hauser	99/508
2014/0004242	A1 *	1/2014	Lefkovitz	426/489
2014/0227416	A1 *	8/2014	Chitayat et al.	426/489

OTHER PUBLICATIONS

The Mason Shaker; www.masonshaker.com/products/the-mason-shaker, Nov. 14, 2013, 12 pages.

* cited by examiner

Primary Examiner — Susan Bennett Hattan

Assistant Examiner — Leanne Was

(74) *Attorney, Agent, or Firm* — Collard & Roe, P.C.

(57) **CLAIM**

The ornamental design for a beverage juicer/shaker, as shown and described.

DESCRIPTION

FIG. 1 shows a perspective view of our design for a beverage juicer/shaker.

FIG. 2 shows a front view thereof;

FIG. 3 shows a rear view thereof;

FIG. 4 shows a left side view thereof;

FIG. 5 shows a right side view thereof;

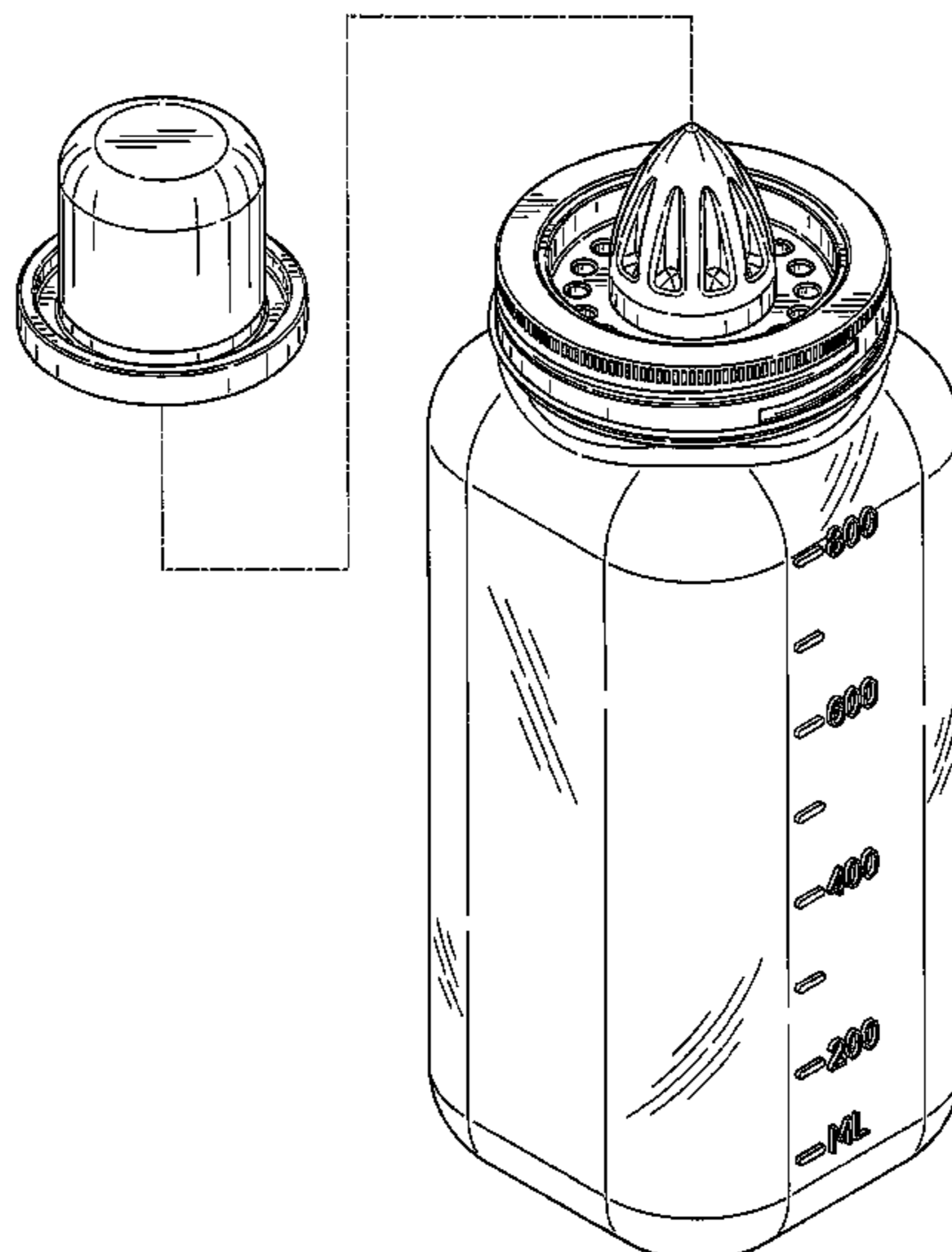
FIG. 6 shows a top view thereof;

FIG. 7 shows a bottom view thereof;

FIG. 8 shows partially exploded perspective view thereof; and,

FIG. 9 shows a cross-section view taken in the direction of line 9-9 in FIG. 6.

1 Claim, 6 Drawing Sheets



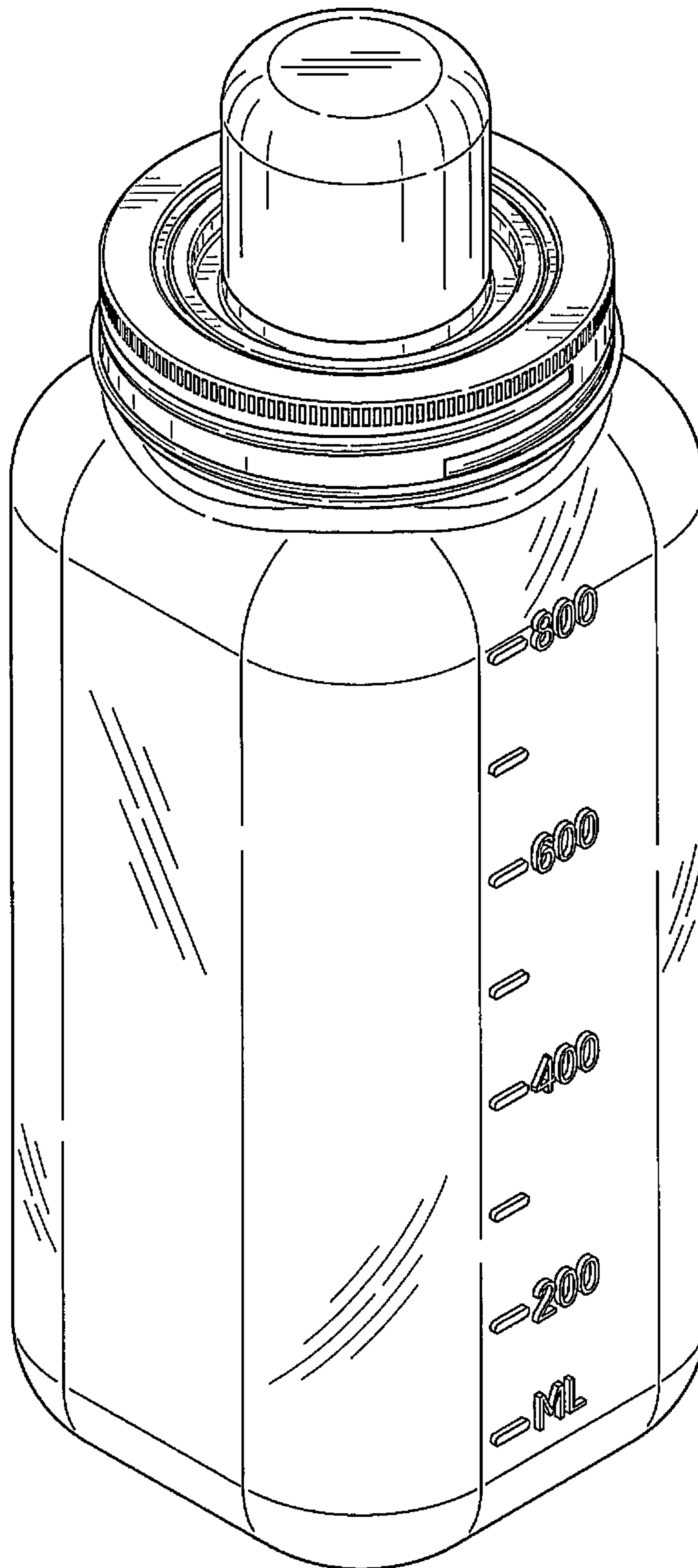


FIG. 1

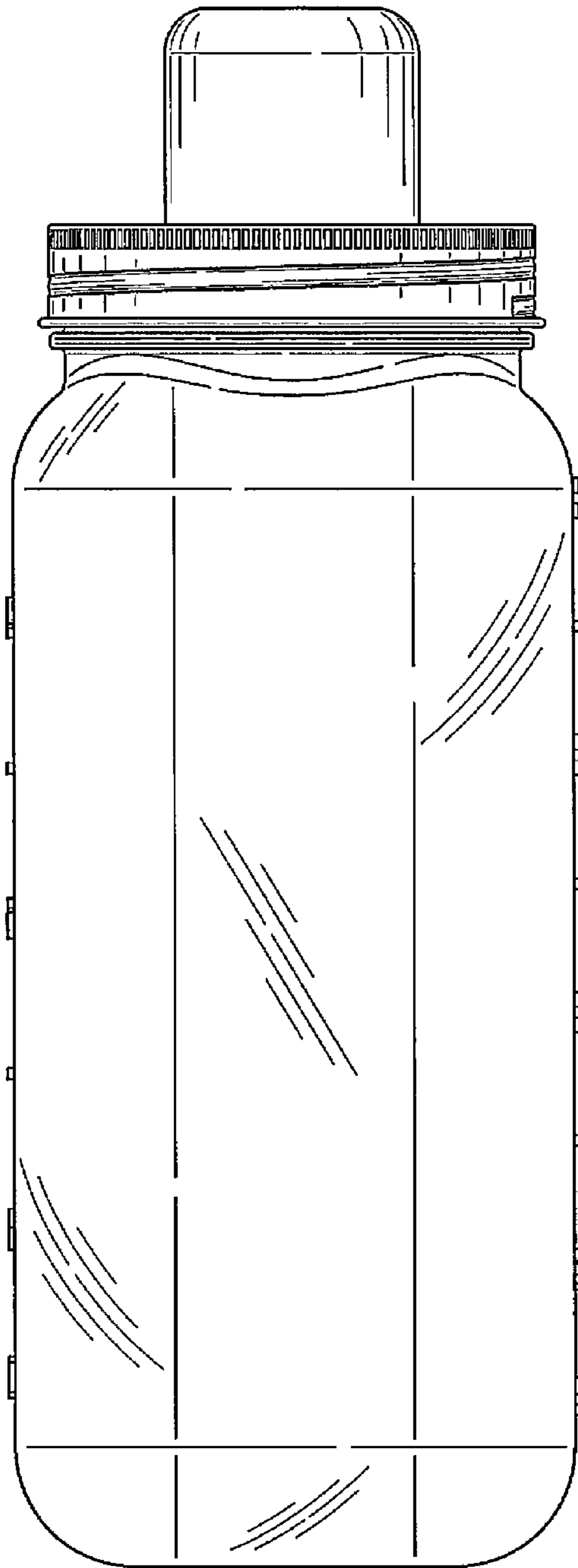


FIG. 2

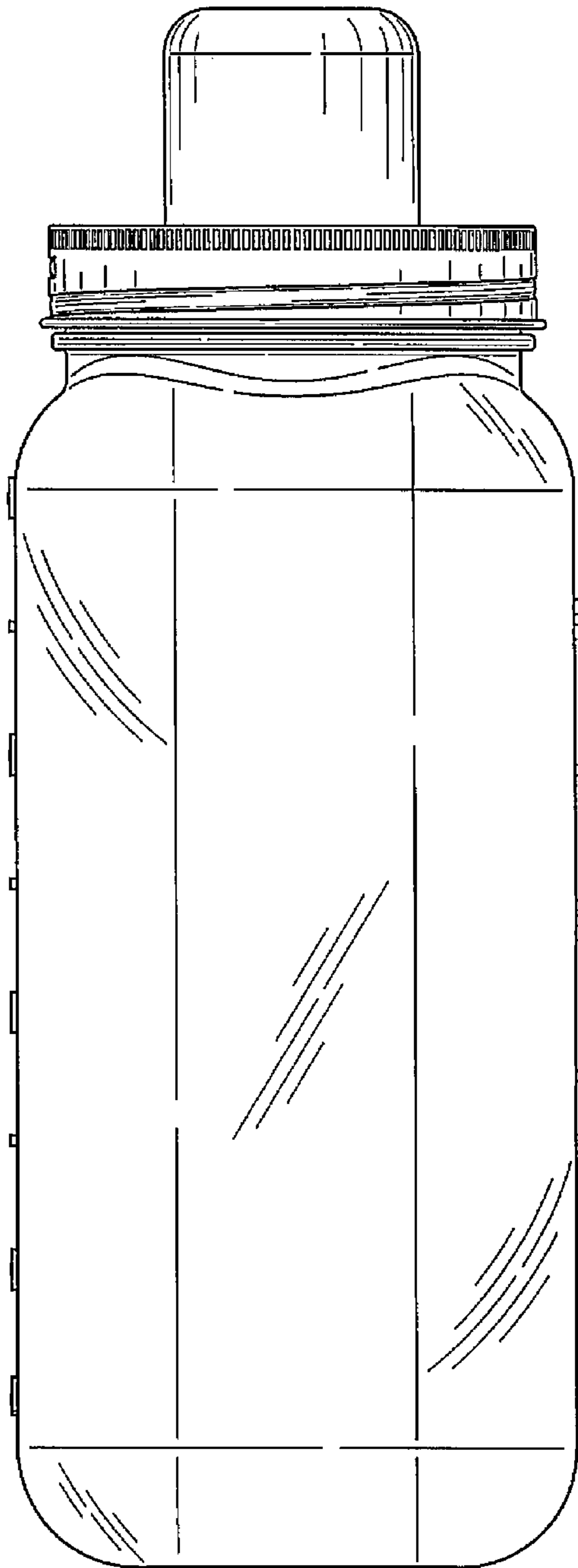


FIG. 3

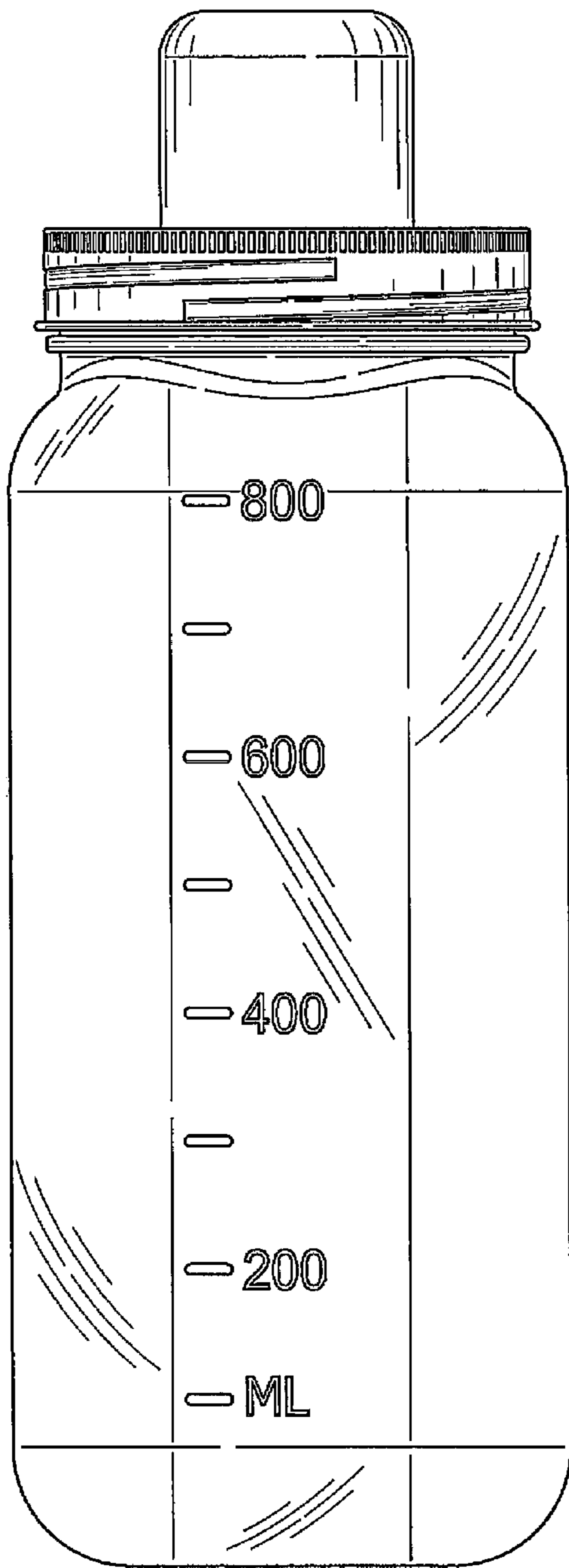


FIG. 4

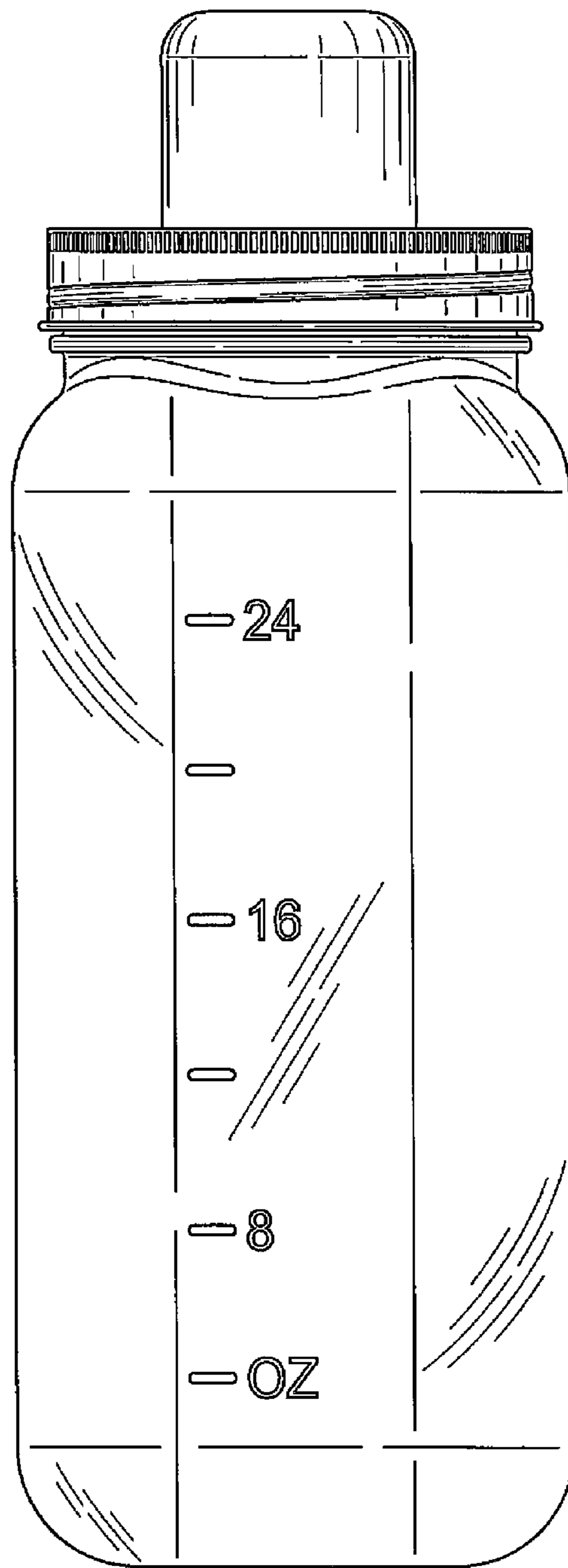


FIG. 5

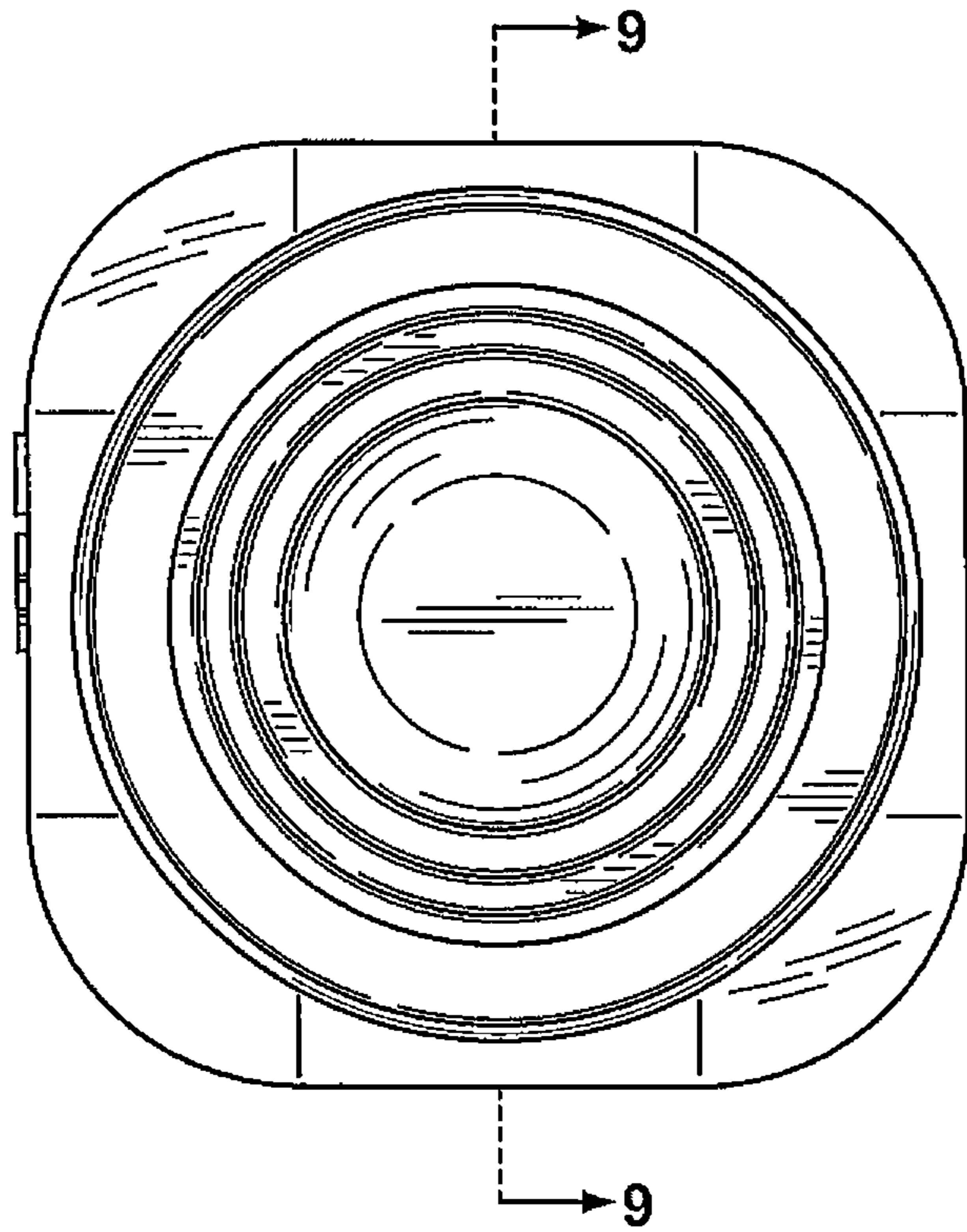


FIG. 6

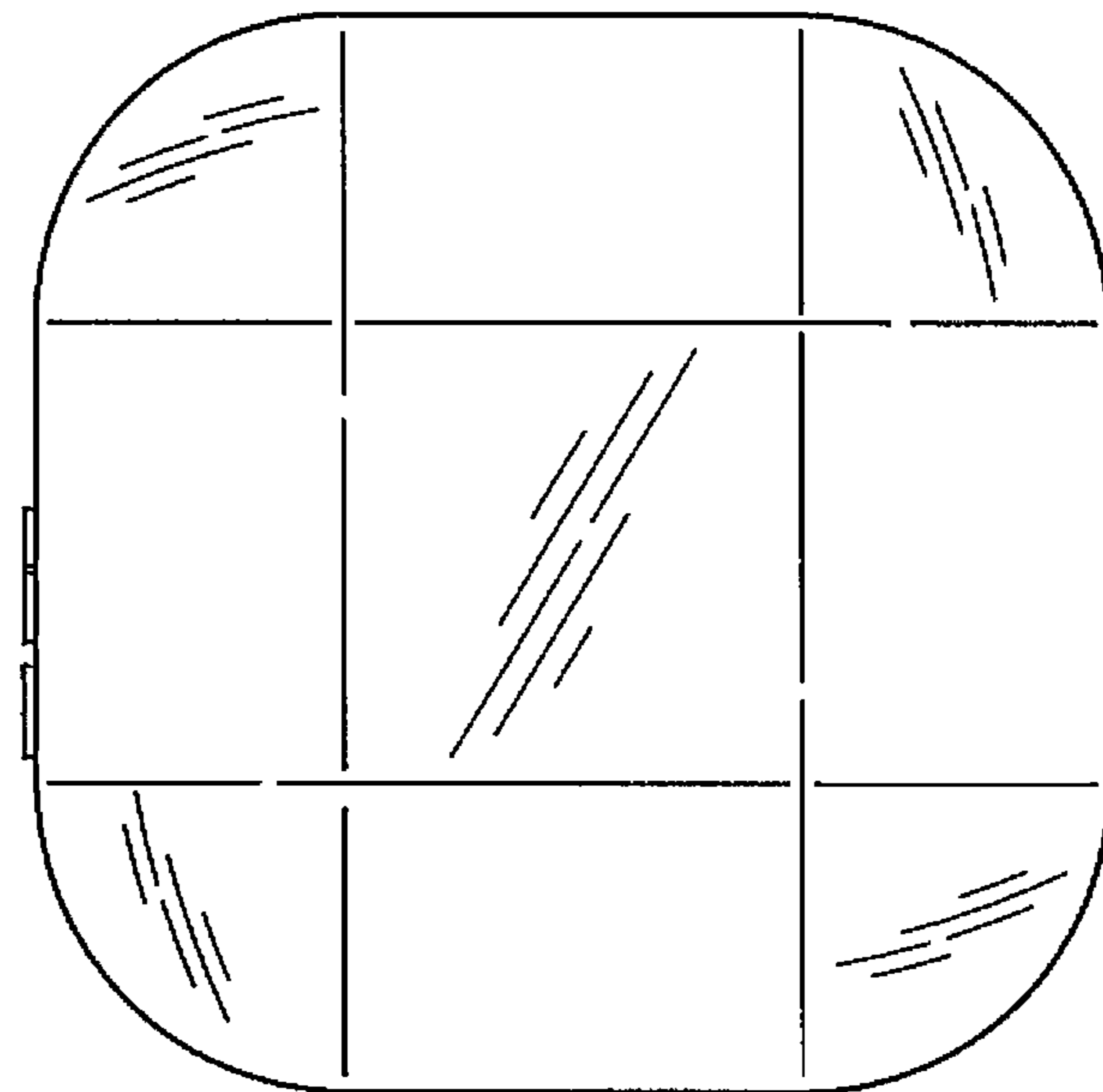


FIG. 7

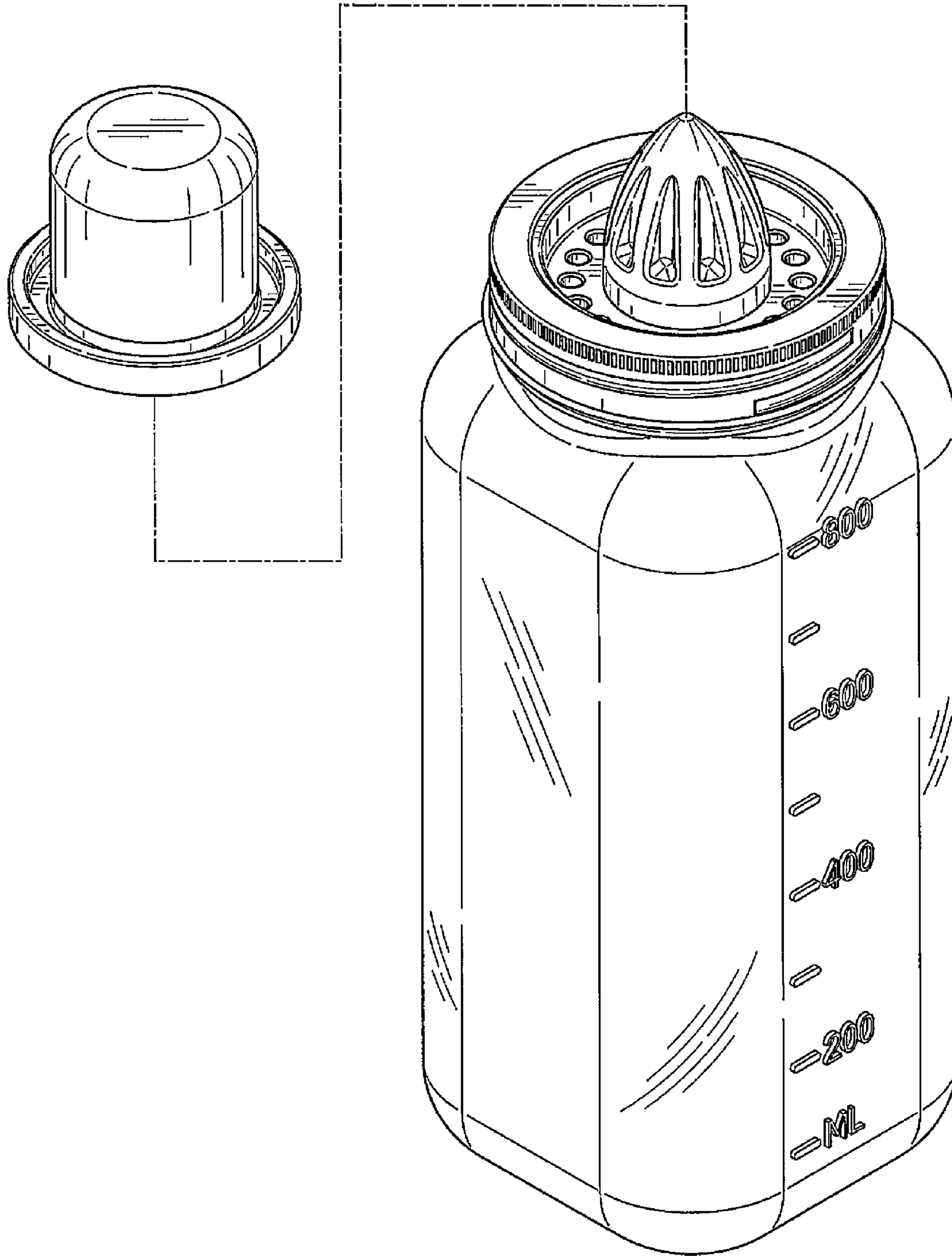


FIG. 8

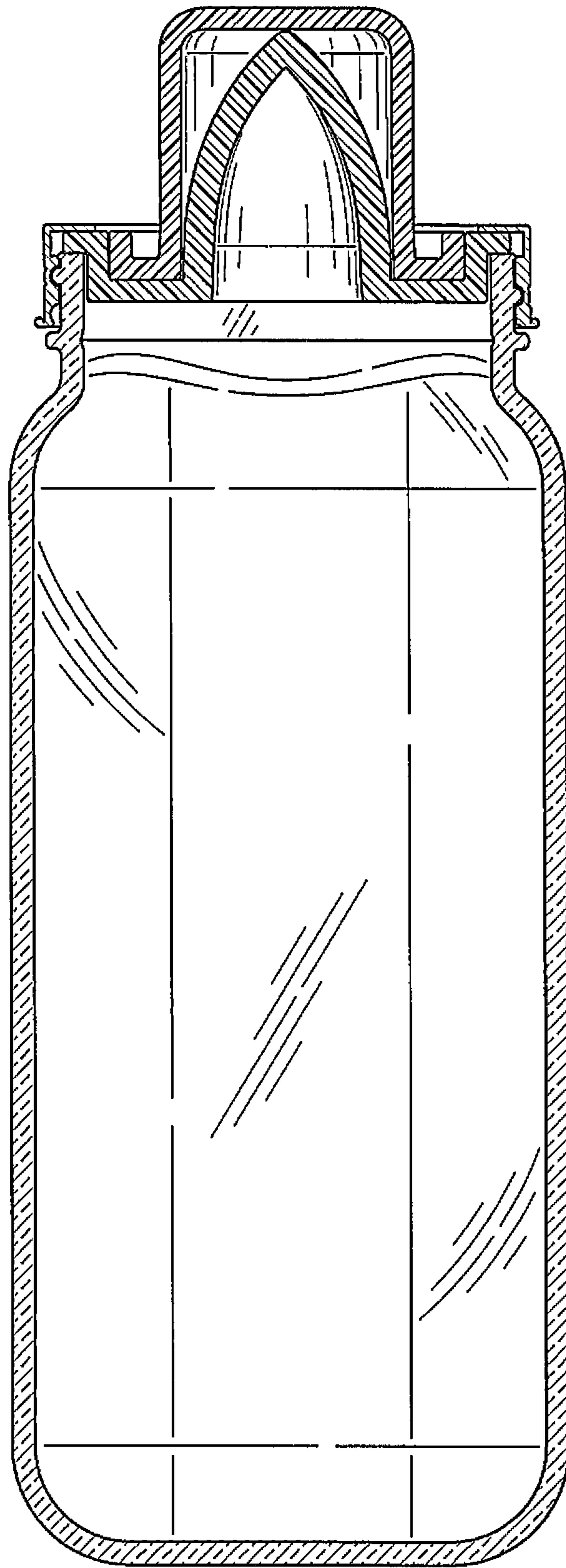


FIG. 9