



US00D722802S

(12) **United States Design Patent**
Mueller et al.

(10) **Patent No.:** **US D722,802 S**

(45) **Date of Patent:** **** Feb. 24, 2015**

(54) **TABLE LEG**

(71) Applicant: **Steelcase Werndl AG**, Rosenheim (DE)

(72) Inventors: **Karl-Heinz Mueller**, Prutting (DE);
John Small, London (GB)

(73) Assignee: **Steelcase Werndl AG**, Rosenheim (DE)

(**) Term: **14 Years**

(21) Appl. No.: **29/450,662**

(22) Filed: **Mar. 20, 2013**

(30) **Foreign Application Priority Data**

Sep. 20, 2012 (EM) 001345458-0008

(51) **LOC (10) Cl.** **06-06**

(52) **U.S. Cl.**
USPC **D6/709**

(58) **Field of Classification Search**
USPC D6/702, 709, 656.16, 656.17, 685, 691,
D6/691.8; 108/50.01, 50.02, 153.1, 156,
108/157.1, 161, 144.11, 146, 147.19;
248/188, 188.1, 188.7, 188.8
See application file for complete search history.

(56) **References Cited**

U.S. PATENT DOCUMENTS

D144,565 S 4/1946 Hollis
D216,715 S * 3/1970 Dottinger D6/495

4,381,861 A 5/1983 Howell, Jr. et al.
D367,193 S 2/1996 Dame et al.
D407,245 S 3/1999 Lewis
D476,178 S 6/2003 Schacht et al.
7,111,564 B2 9/2006 Chang
D581,190 S 11/2008 Stoller
D585,218 S 1/2009 Hamilton et al.
D591,539 S 5/2009 Bracher
D593,342 S * 6/2009 Pessoa D6/495
D641,186 S * 7/2011 Martin et al. D6/495
D651,431 S * 1/2012 Udagawa et al. D6/495
D655,537 S * 3/2012 Ruitter et al. D6/495
D659,442 S 5/2012 Henriott et al.

* cited by examiner

Primary Examiner — Janice Seeger

(74) *Attorney, Agent, or Firm* — Price Heneveld LLP

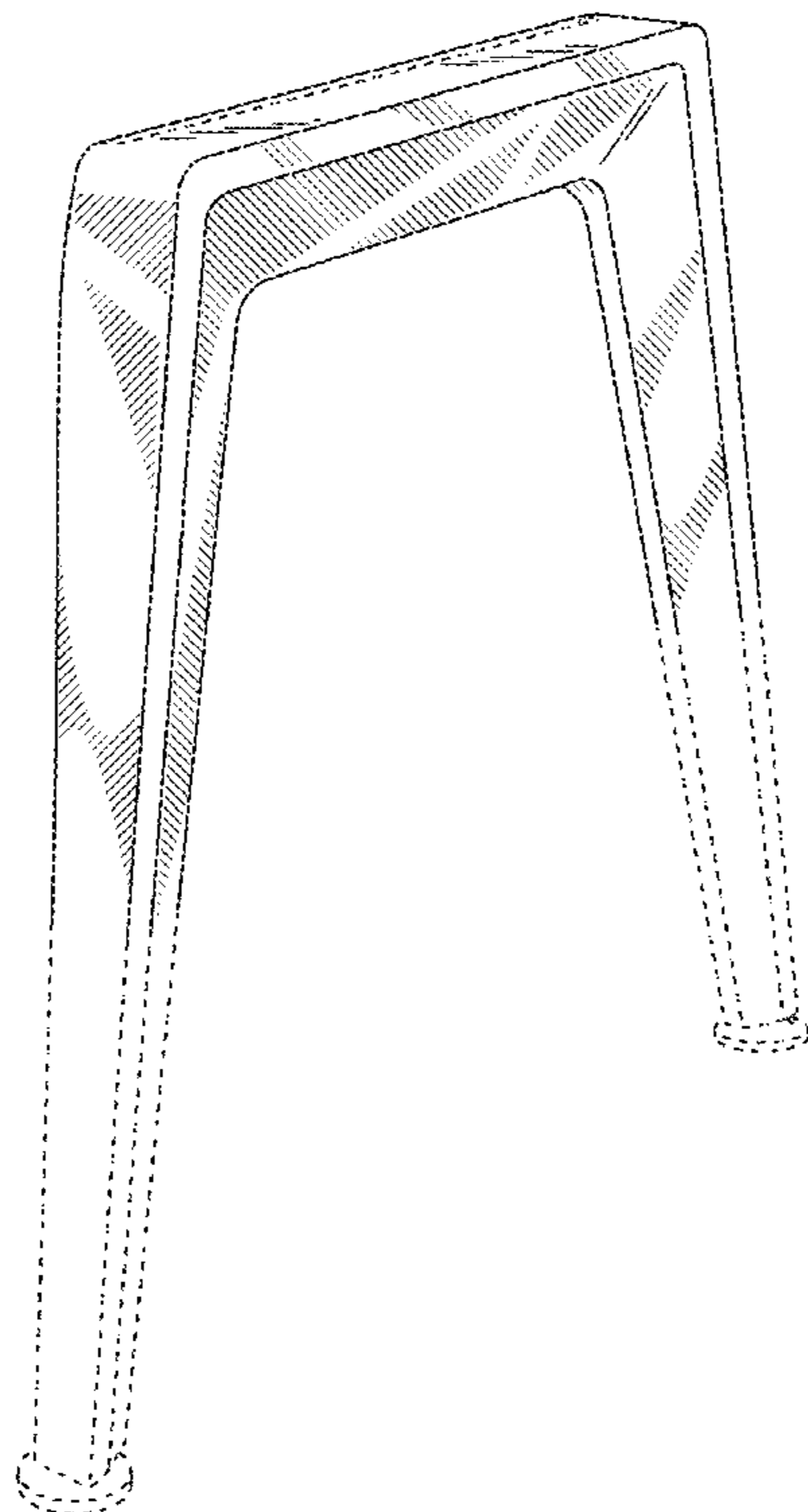
(57) **CLAIM**

We claim the ornamental design for a table leg, as shown and described.

DESCRIPTION

FIG. 1 is a perspective view of a table leg, showing our new design;
FIG. 2 is a right side elevational view;
FIG. 3 is a left side elevational view;
FIG. 4 is front elevational view;
FIG. 5 is a rear elevational view;
FIG. 6 is a top plan view; and,
FIG. 7 is a bottom plan view.
The dashed lines shown in the drawing are for illustrative purposes only and form no part of the claimed design.

1 Claim, 5 Drawing Sheets



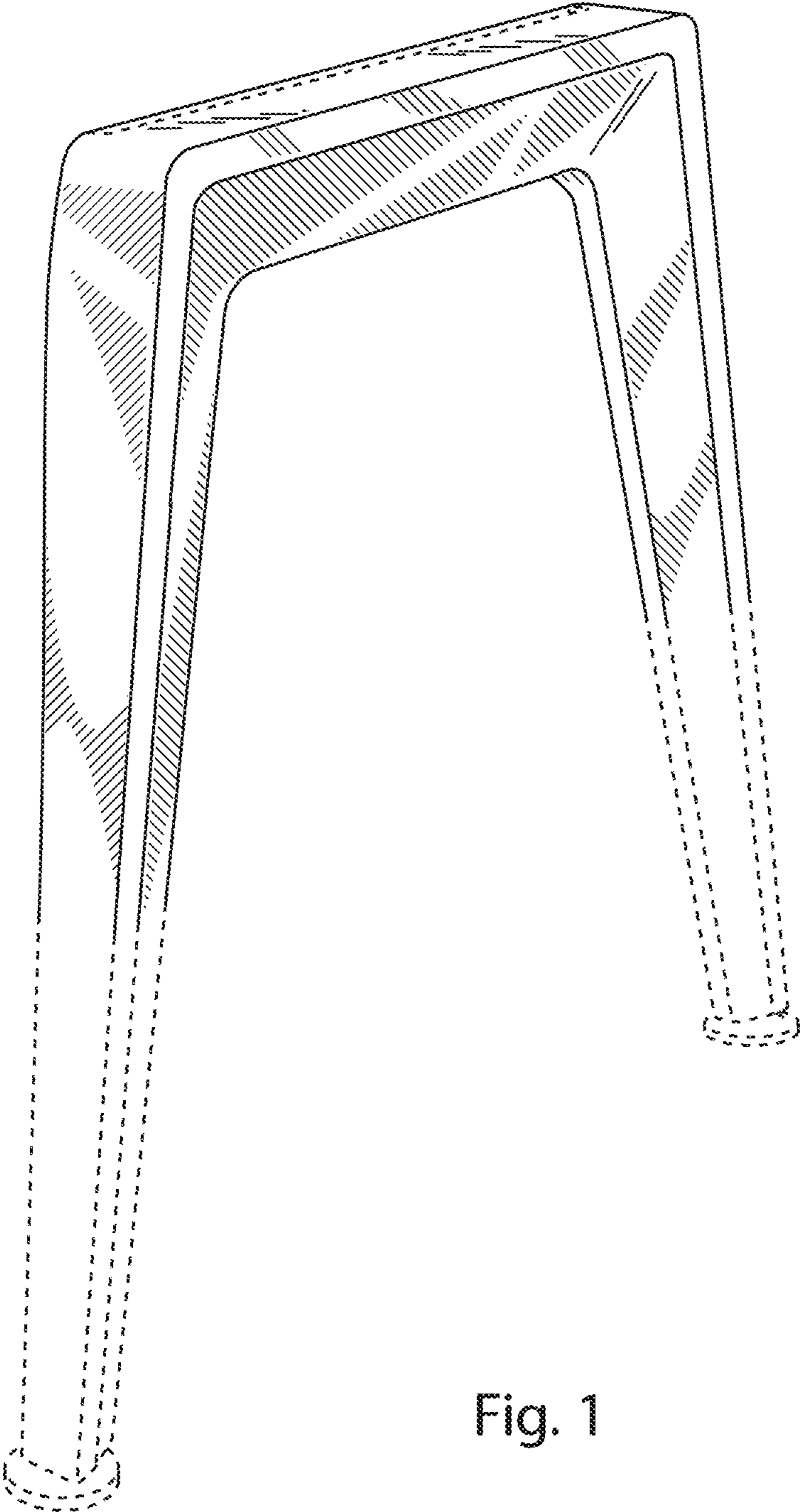


Fig. 1

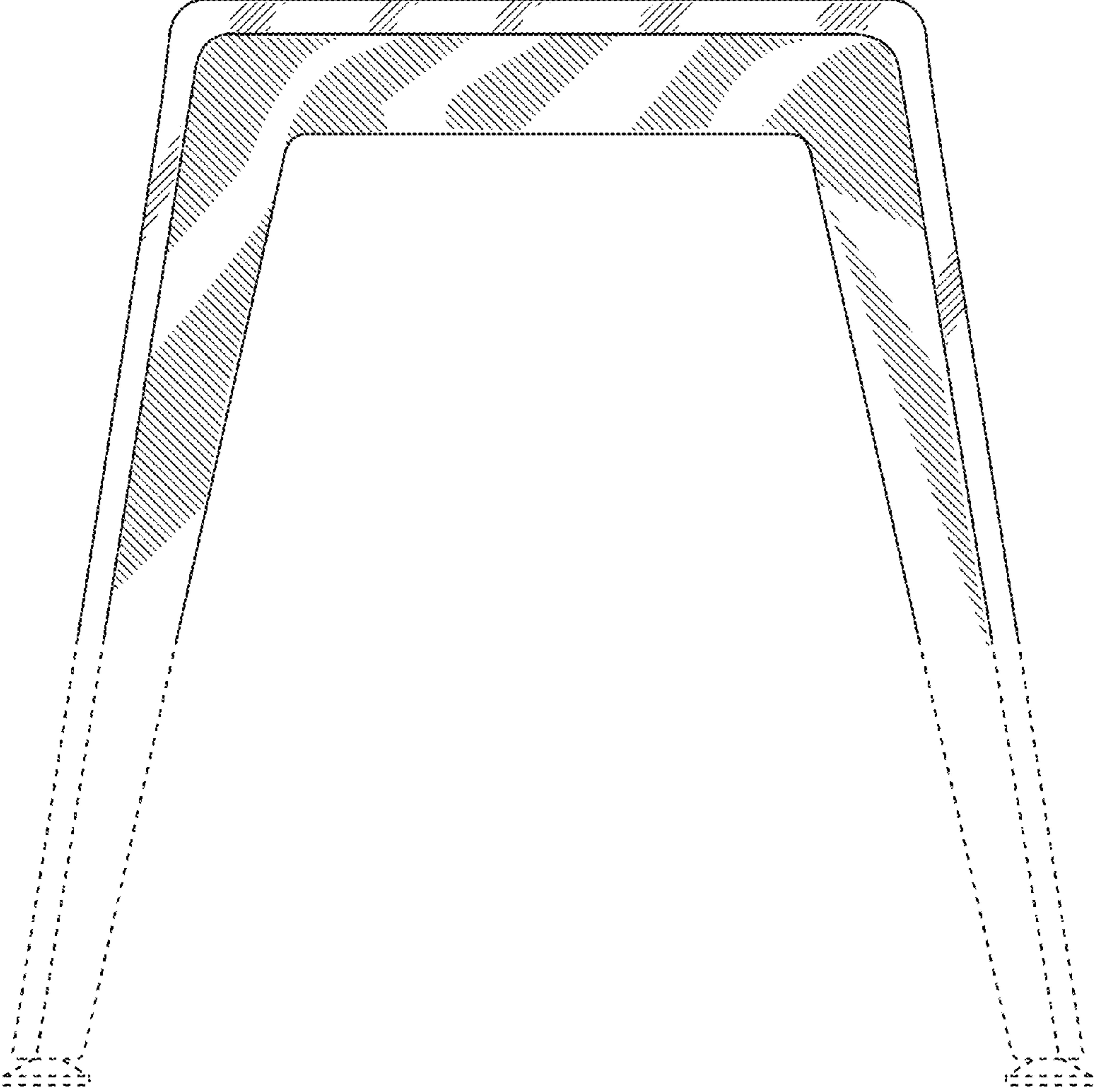


Fig. 2

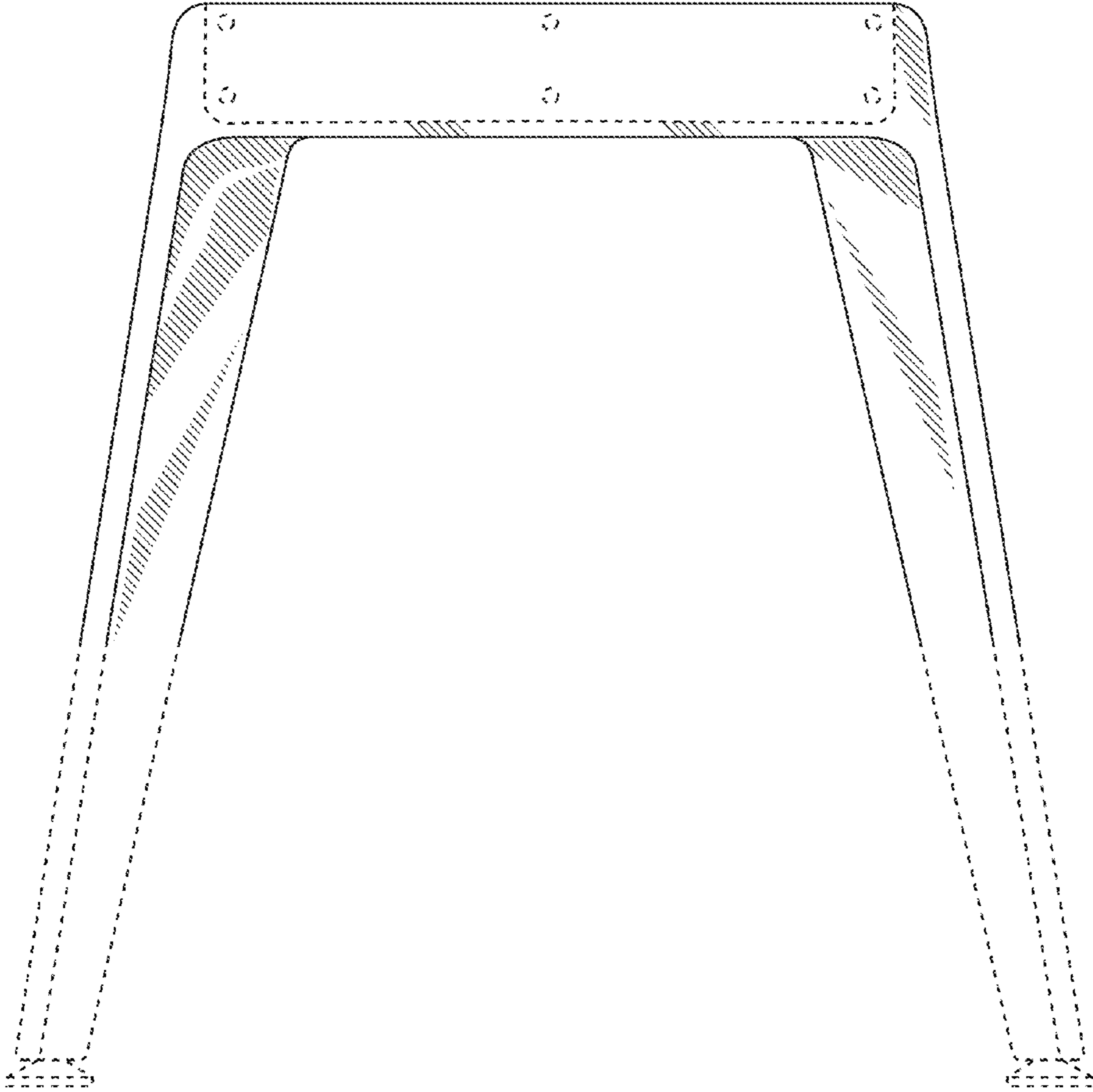


Fig. 3

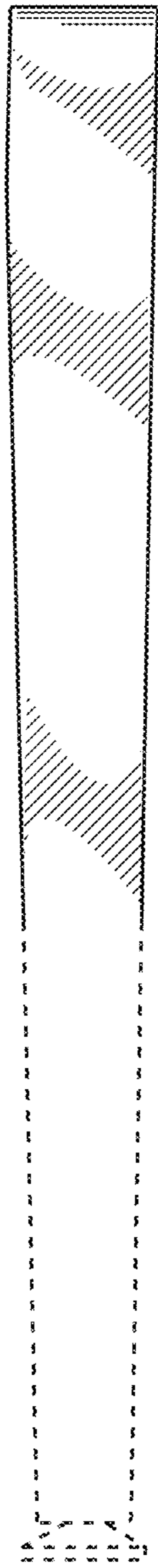


Fig. 4

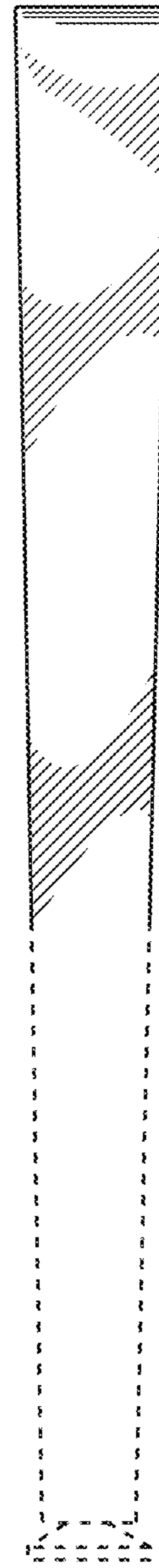


Fig. 5

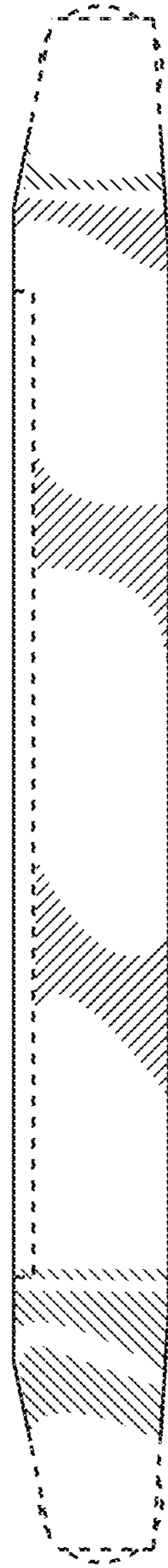


Fig. 6

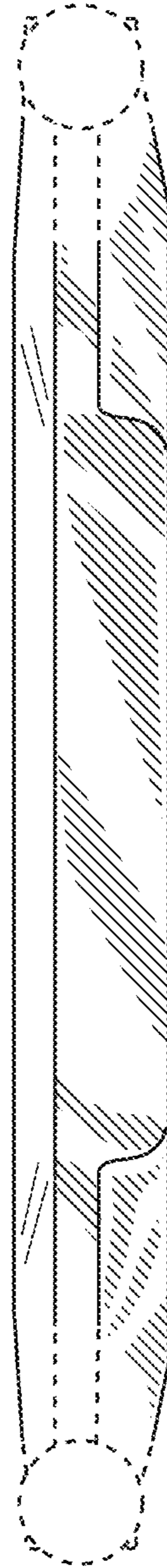


Fig. 7